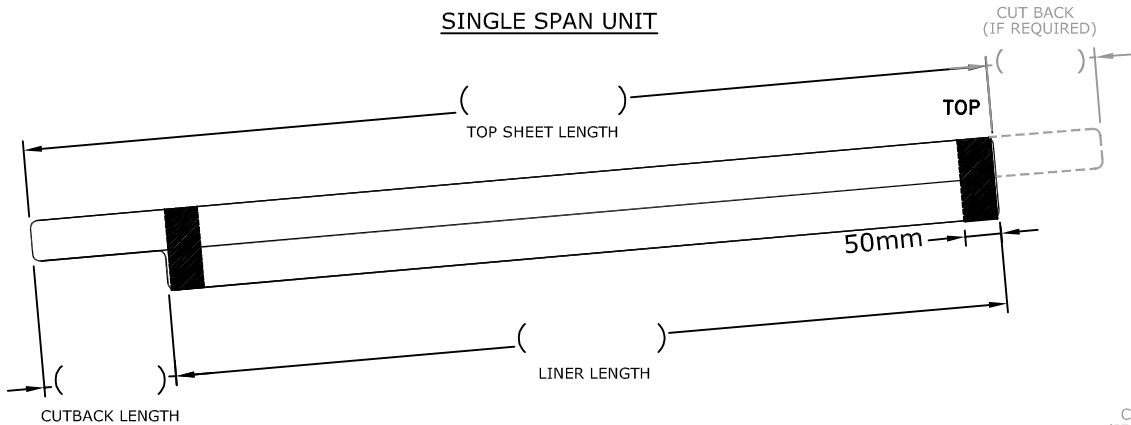
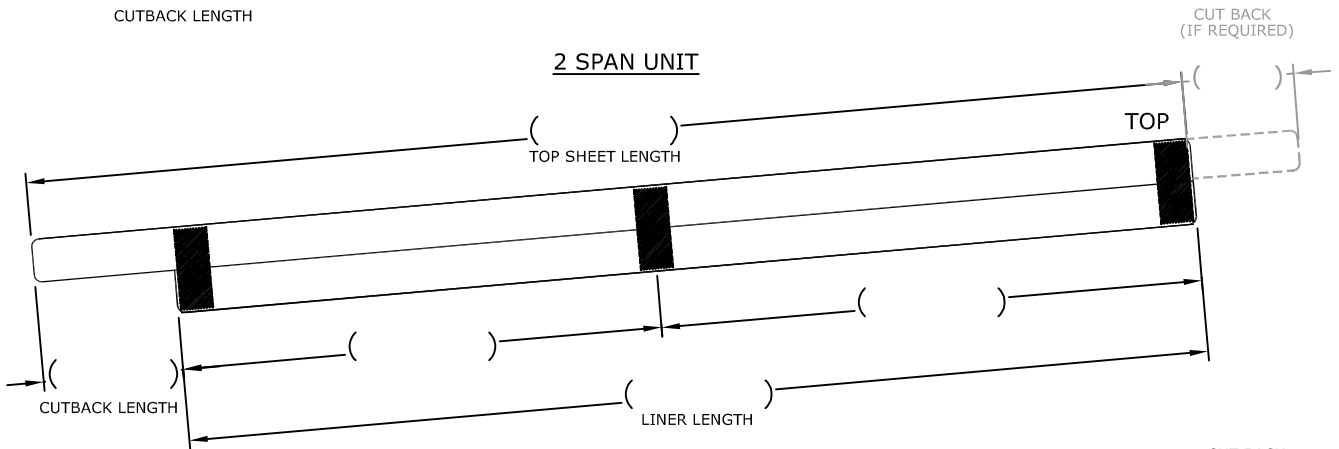


CUSTOMER ORDER FORM FOR FACTORY ASSEMBLED INSULATED ROOFLIGHTS (FAIR'S)

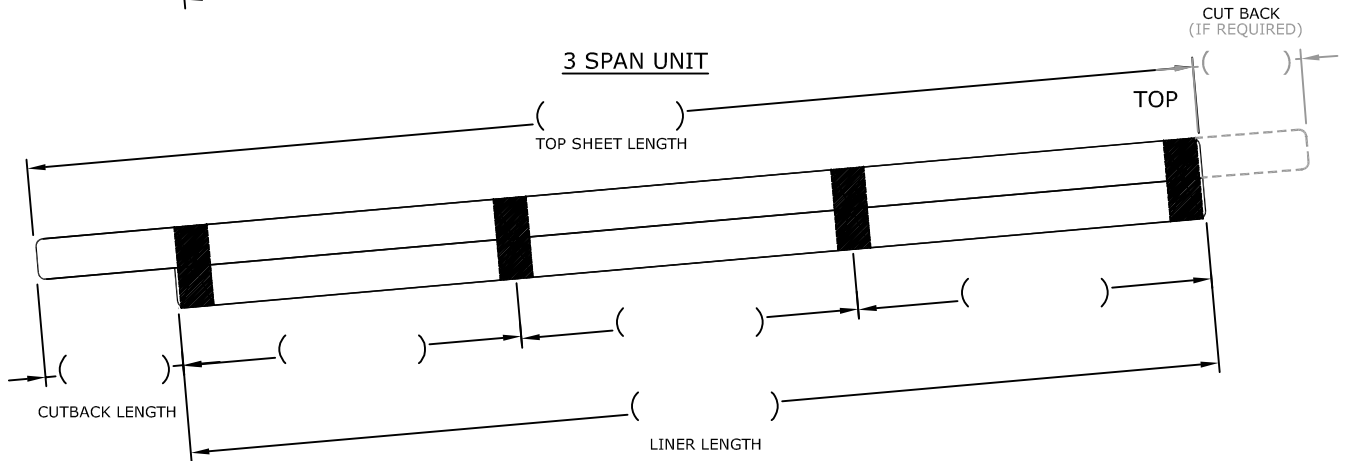
SINGLE SPAN UNIT



2 SPAN UNIT



3 SPAN UNIT



PROFILE/SYSTEM

BOX DEPTH:

QTY LEFT TO RIGHT LAY:

FOR LEFT TO RIGHT LAY AS VIEWED FROM EAVES

QTY RIGHT TO LEFT LAY:

FOR RIGHT TO LEFT LAY AS VIEWED FROM EAVES

METAL UNDERLAP STRIP REQ'D?

YES

NO

PLEASE TICK RELEVANT BOX

PLEASE TICK RELEVANT BOX

*TOP SHEET WEIGHT

2.44 kg/m² OUTER SHEET:
(minimum weight - non-fragile when being installed)

3.06 kg/m² OUTER SHEET:
(non-fragile for 25 years)

SUPASAFE OUTER SHEET:
(non-fragile for the life of roof)

PLEASE TICK RELEVANT BOX

*U VALUE

DOUBLE SKIN (3.0 U VALUE):

TRIPLE SKIN (2.0 U VALUE):
(standard configuration)

OTHER :
Please specify U Value req'd

CUSTOMER :

DATE:

ORDER NO. :

SIGNED:

SPECIAL INSTRUCTIONS:

*For information relating to non-fragility & Rooflight U values please refer to FILON Technical Data Sheets which are available from our Sales Office and website by visiting : www.filon.co.uk