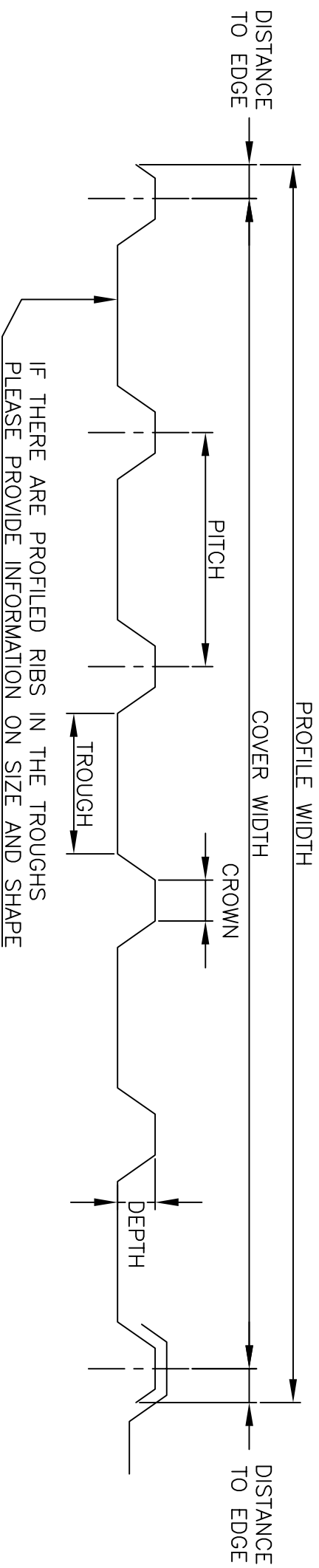
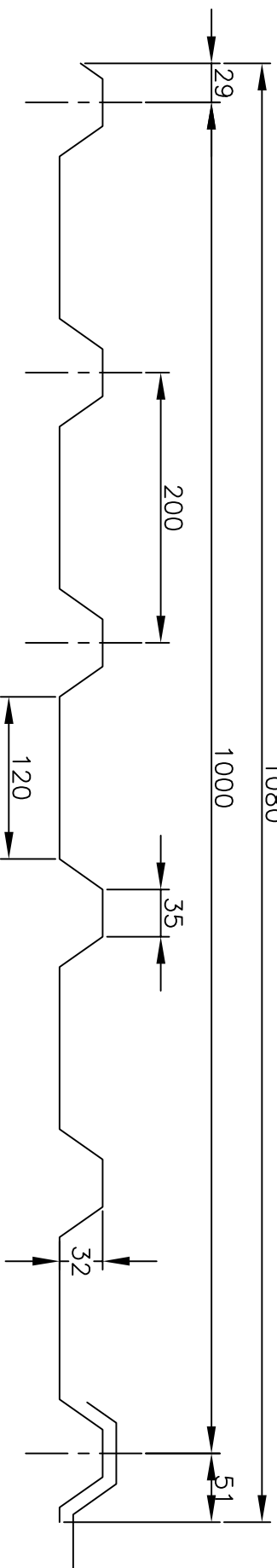


GUIDE TO IDENTIFYING FILON PROFILES



EXAMPLE



© FILON PRODUCTS LTD. own the copyright of this document which is supplied in confidence and which must not be used for any other purpose other than that which it is supplied. It must not be reproduced without permission in writing from the Company.

Customer Name			
Cust. Order No.			
Drawn By	S.MERCER	Works Order No.	N/A
Checked By		Shoe Codes	
Date	24.02.05	Issue	1.

FILON

Filon Products Limited
Unit 3 Ring Road Zone 2
Burntwood Business Park Burntwood WS7 3JQ