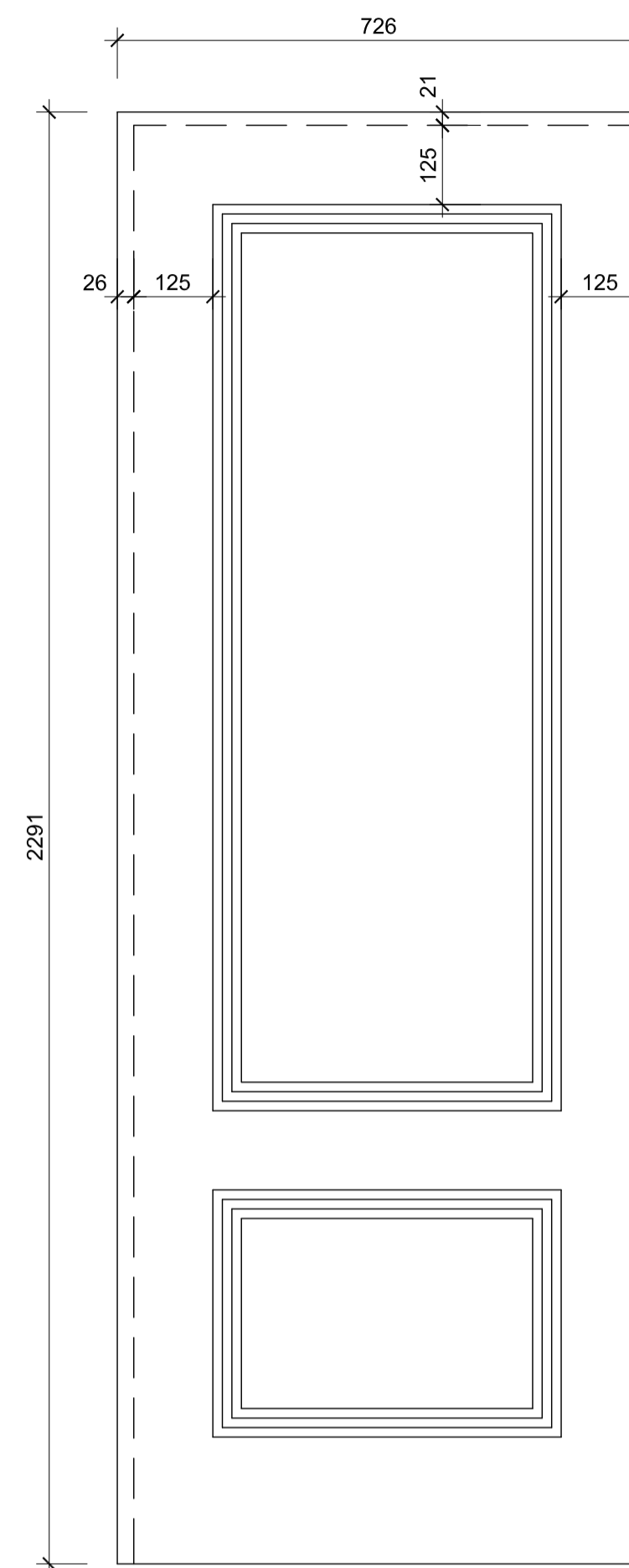
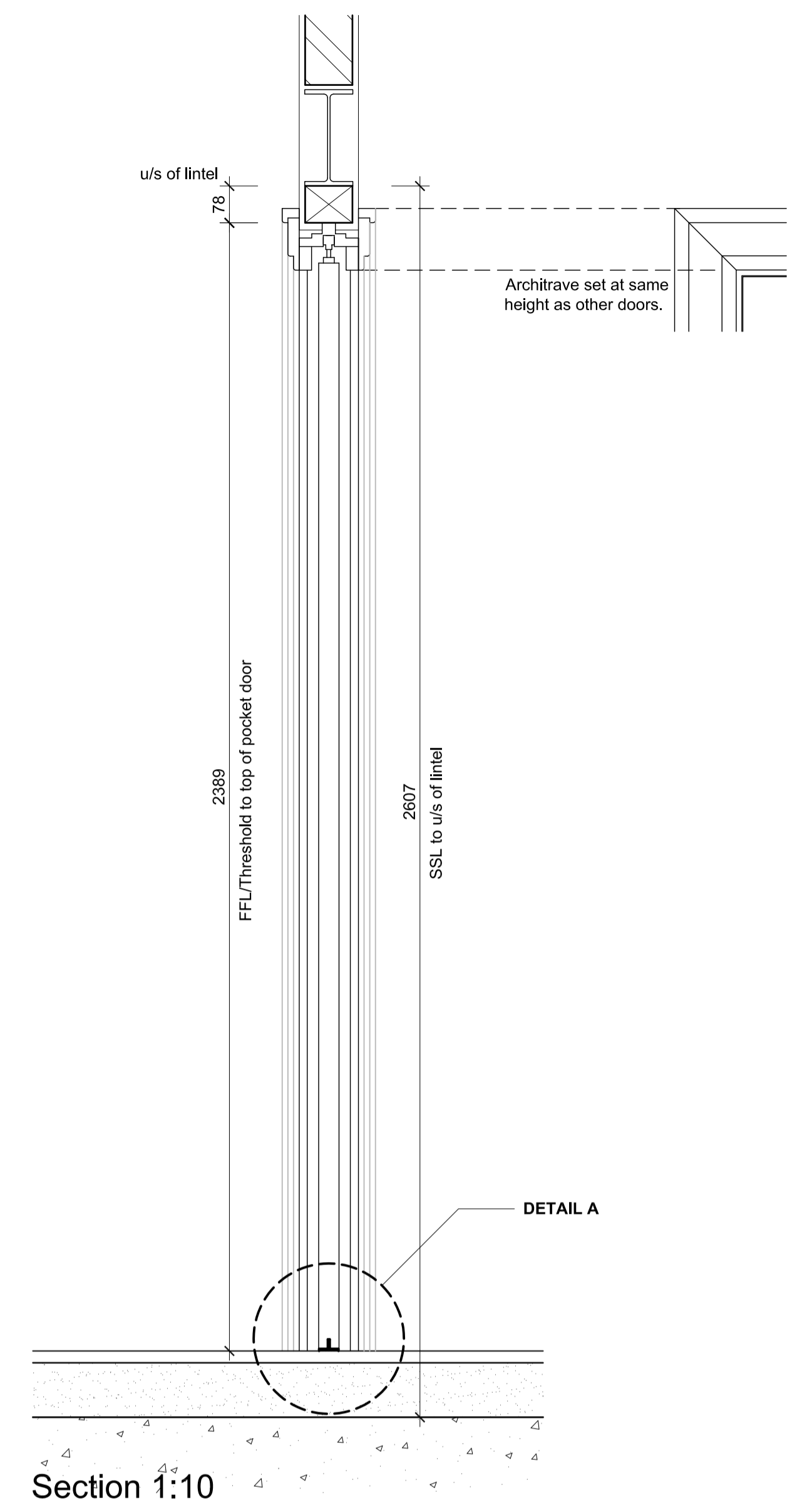


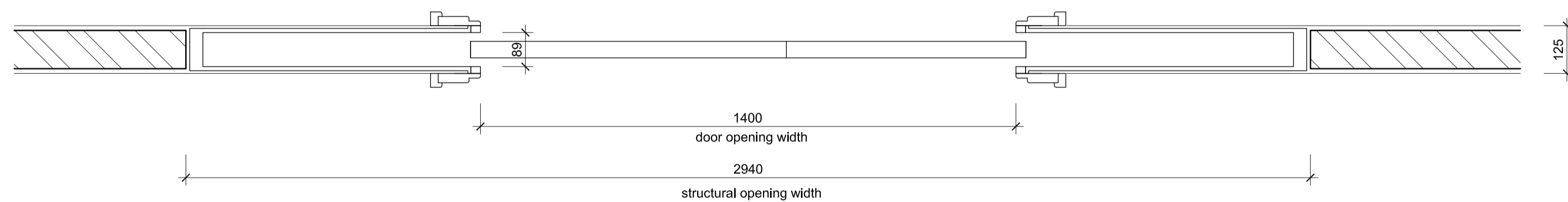
Elevation 1:10



Offset Door Pattern Setting Out 1:10
2 no. pairs reqd. (2 no. leaves as drawn & 2 no. handed)



Section 1:10



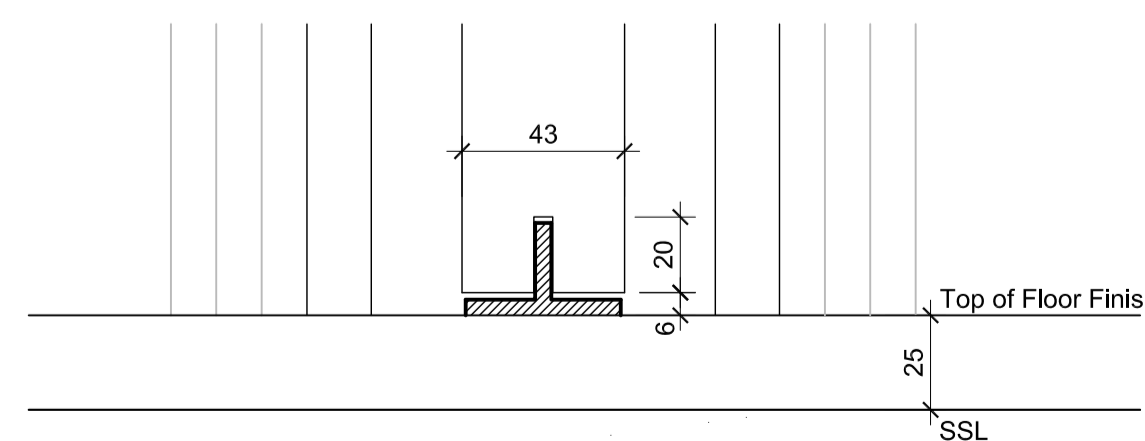
Plan 1:10

Sliding Door Specification

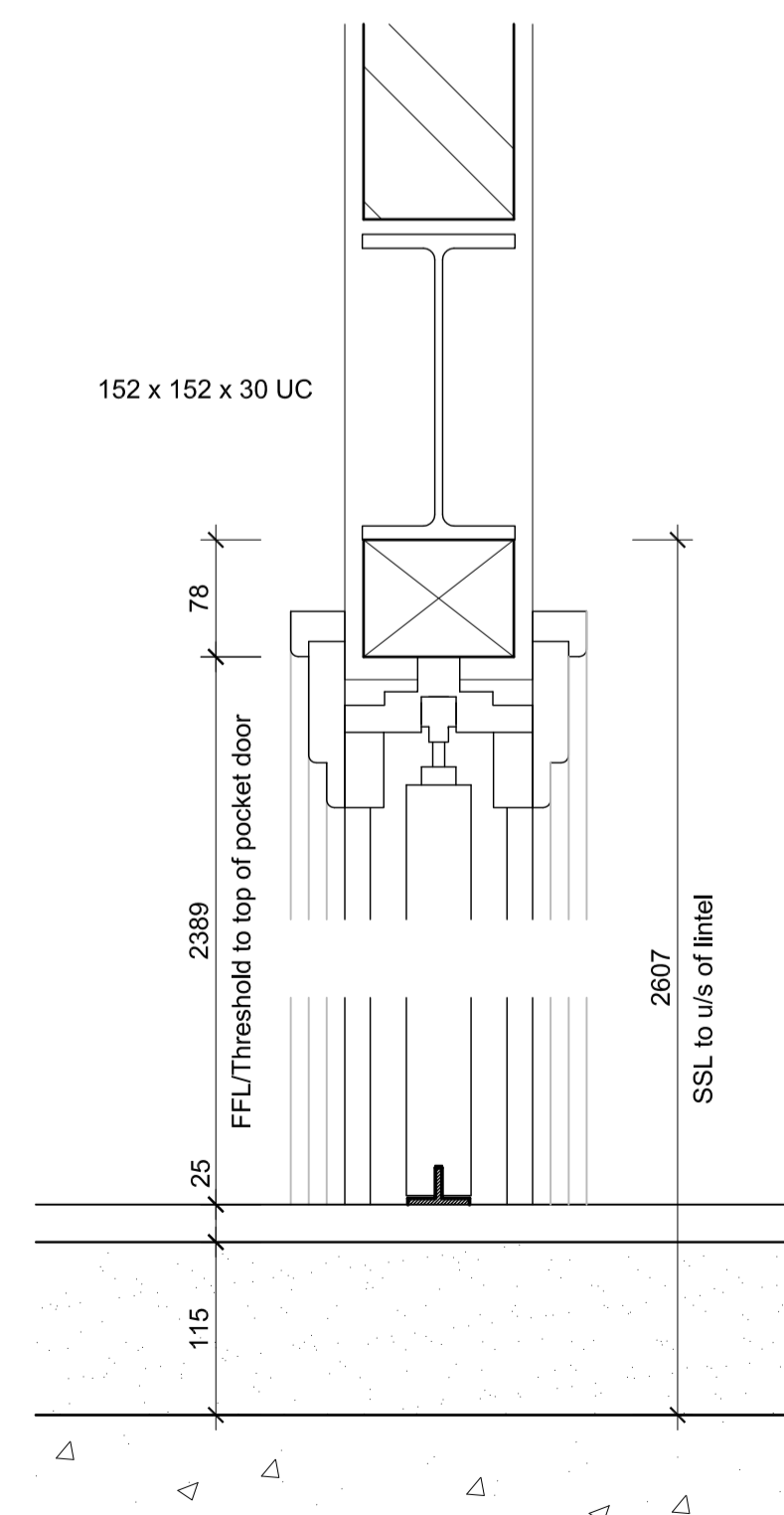
MASTER SUITE (as drawn) - Doors FD15 & FD16
GUEST BEDROOM (as drawn) - Doors FD08

Scigno Base for plastered walls, Double.
Structural Opening: -
Width 2940mm
Height 2389mm (fll to top of pocket)
Door Opening width of 1400mm.
Door Size 726 x 2291 x 44mm (56mm incl. mouldings).
Internal clear width 89mm.

ALL DIMENSIONS TO BE CHECKED ON SITE
PRIOR TO MANUFACTURE



Detail A
Door Threshold
Scale 1:2



Door Head
Detail Section 1:5

Door Threshold
Detail Section 1:5

A	Lintel specified.	14.04.14
Revision		Date



Octagon Developments Limited
Weir House Hurst Road
East Molesey Surrey KT8 9AQ
T: +44 (0) 208 481 7500
F: +44 (0) 208 481 7501
E: Octagon@Octdev.co.uk
W: www.Octdev.co.uk

Project
Overbye, St George's Hill
Title
**Master Suite & Guest Bedroom
Internal Sliding Door
Details**

Status		
Construction		
Scale	Drawn	Date
1:10	MB	Feb. '14
Job number	Drawing number	Revision
0623	7019	A