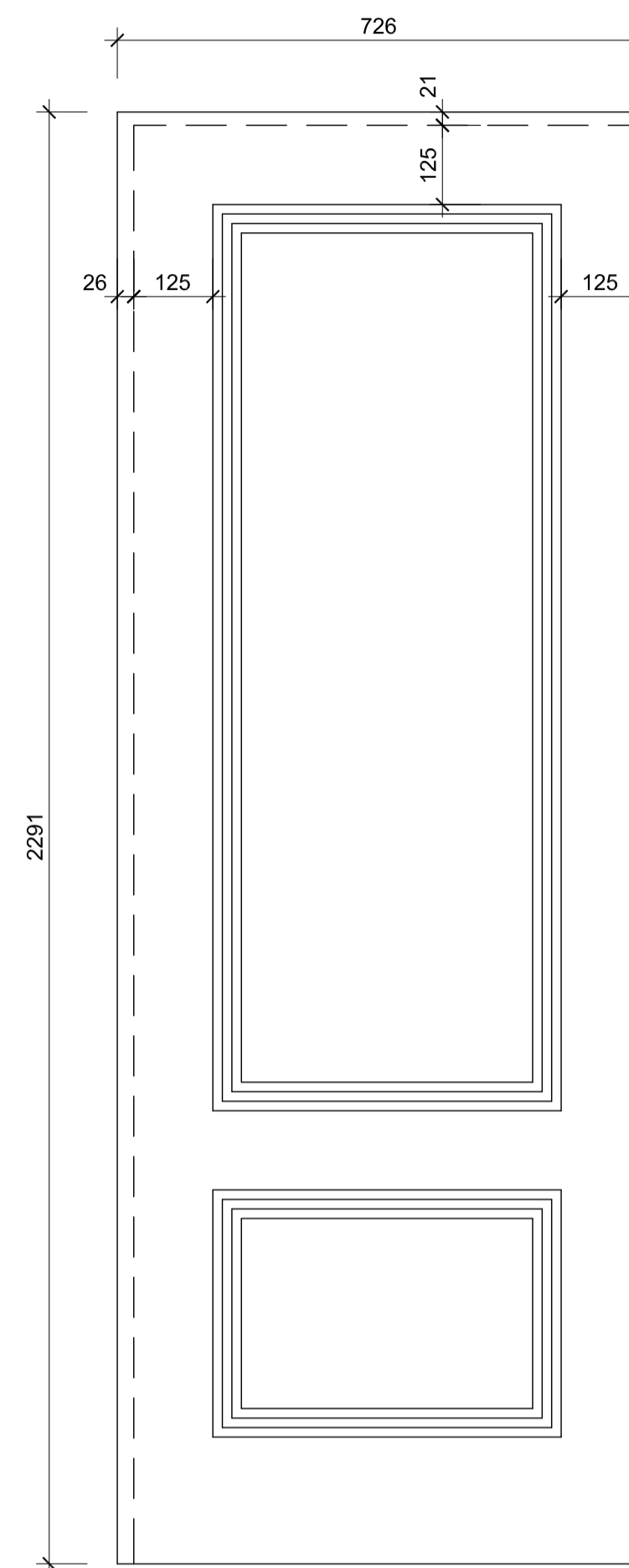
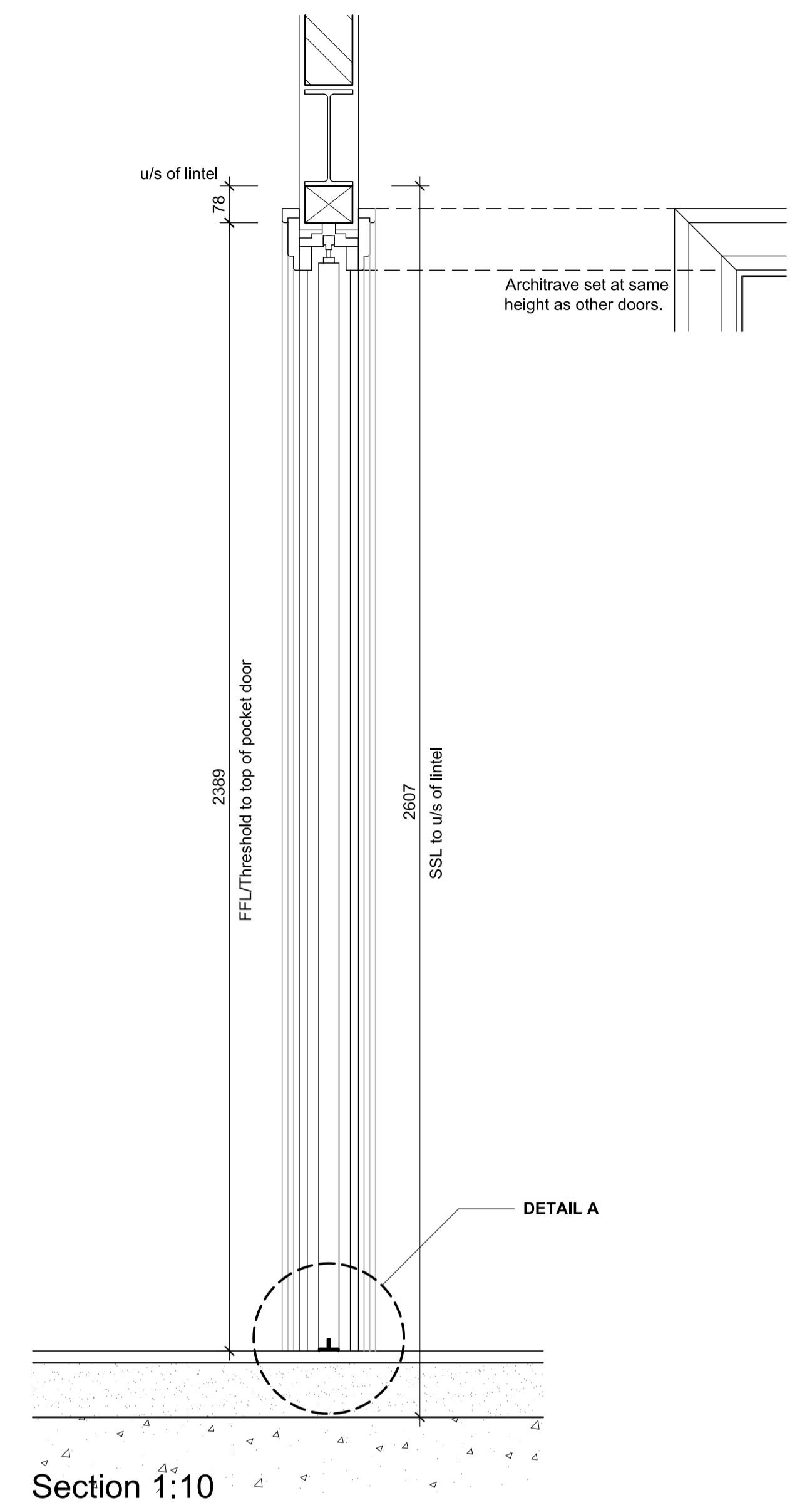


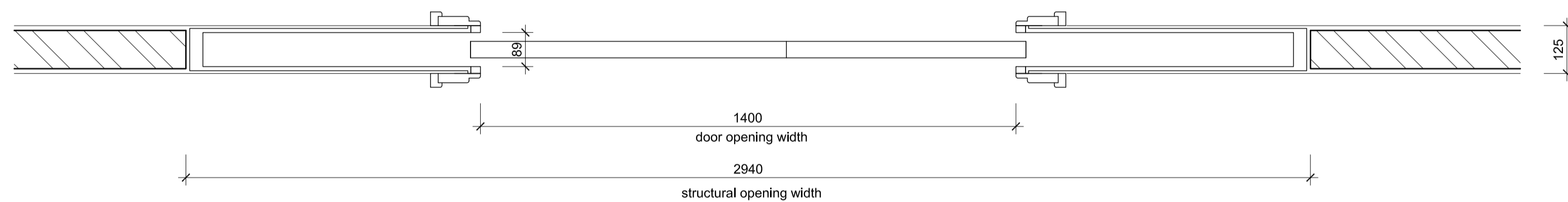
Elevation 1:10



Offset Door Pattern Setting Out 1:10  
2 no. pairs reqd. (2 no. leaves as drawn & 2 no. handed)



Section 1:10



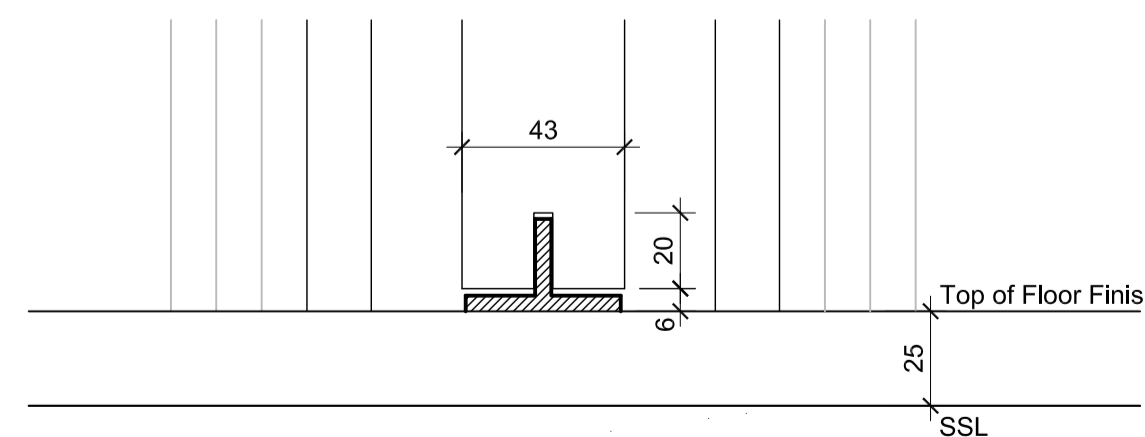
Plan 1:10

**Sliding Door Specification**

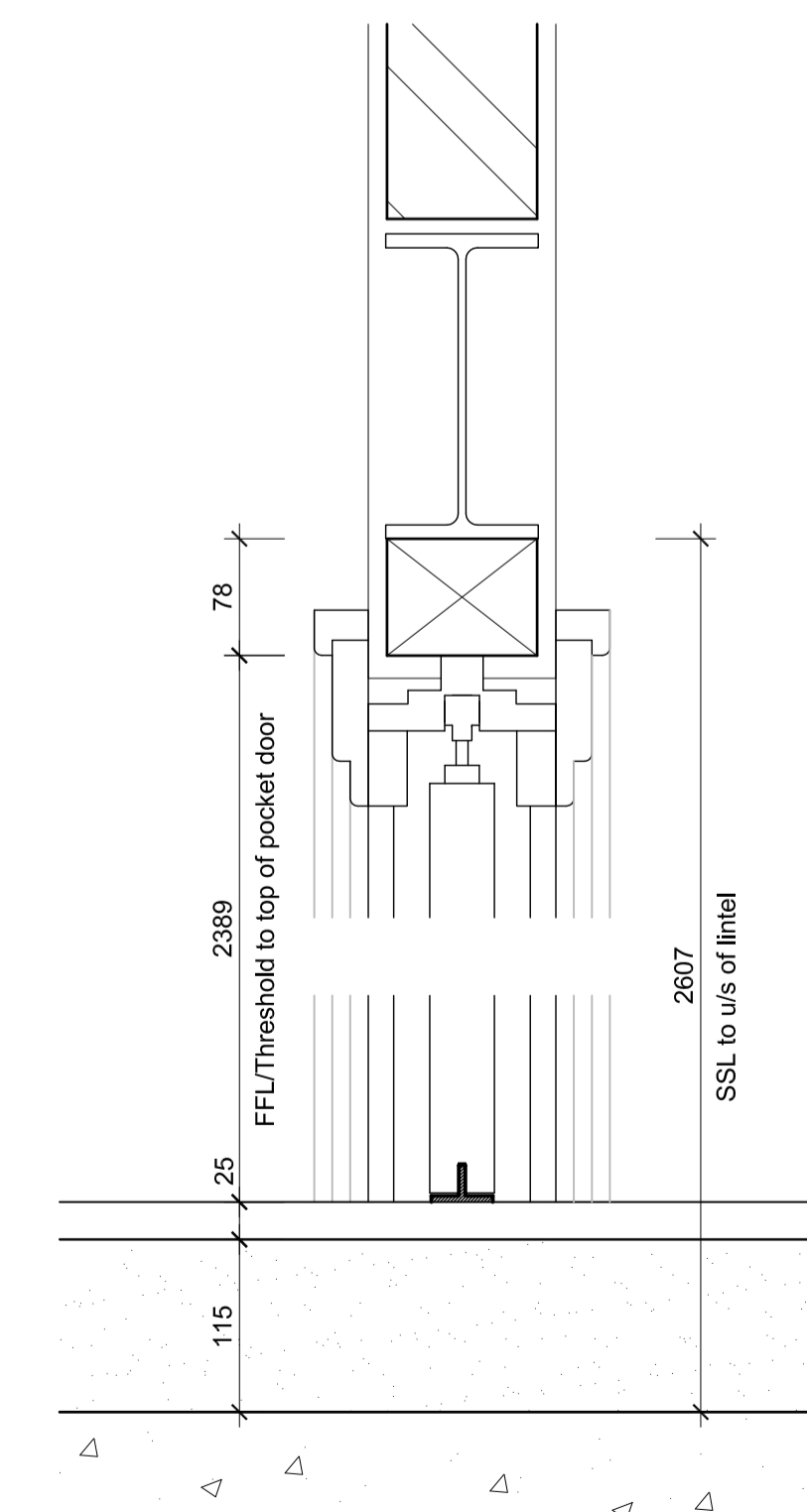
**MASTER SUITE** (as drawn) - Doors FD15 & FD16  
**GUEST BEDROOM** (as drawn) - Doors FD08

Scigno Base for plastered walls, Double.  
Structural Opening: -  
Width 2940mm  
Height 2389mm (fll to top of pocket)  
Door Opening width of 1400mm.  
Door Size 726 x 2291 x 44mm (56mm incl. mouldings).  
Internal clear width 89mm.

ALL DIMENSIONS TO BE CHECKED ON SITE  
PRIOR TO MANUFACTURE



Detail A  
Door Threshold  
Scale 1:2



Door Head  
Detail Section 1:5

Door Threshold  
Detail Section 1:5

Revision Date



Octagon Developments Limited  
Weir House Hurst Road  
East Molesey Surrey KT8 9AQ  
T: +44 (0) 208 481 7500  
F: +44 (0) 208 481 7501  
E: Octagon@Octdev.co.uk  
W: www.Octdev.co.uk

Project  
**Overbye, St George's Hill**  
Title  
**Master Suite & Guest Bedroom  
Internal Sliding Door  
Details**

Status  
Construction  
Scale 1:10 1:5  
Job number 0623  
Drawn MB  
Drawing number 7019  
Date Feb. '14  
Revision