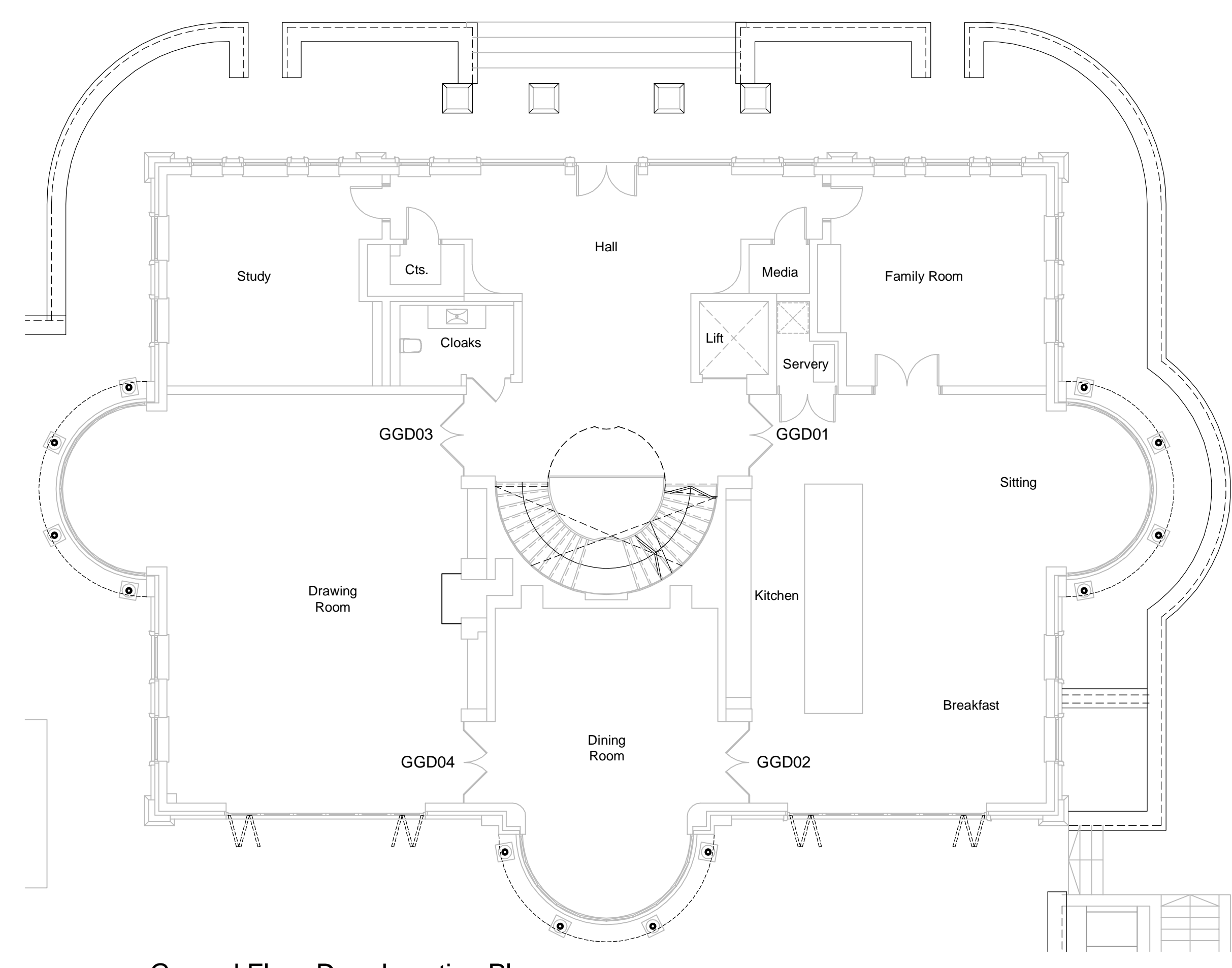
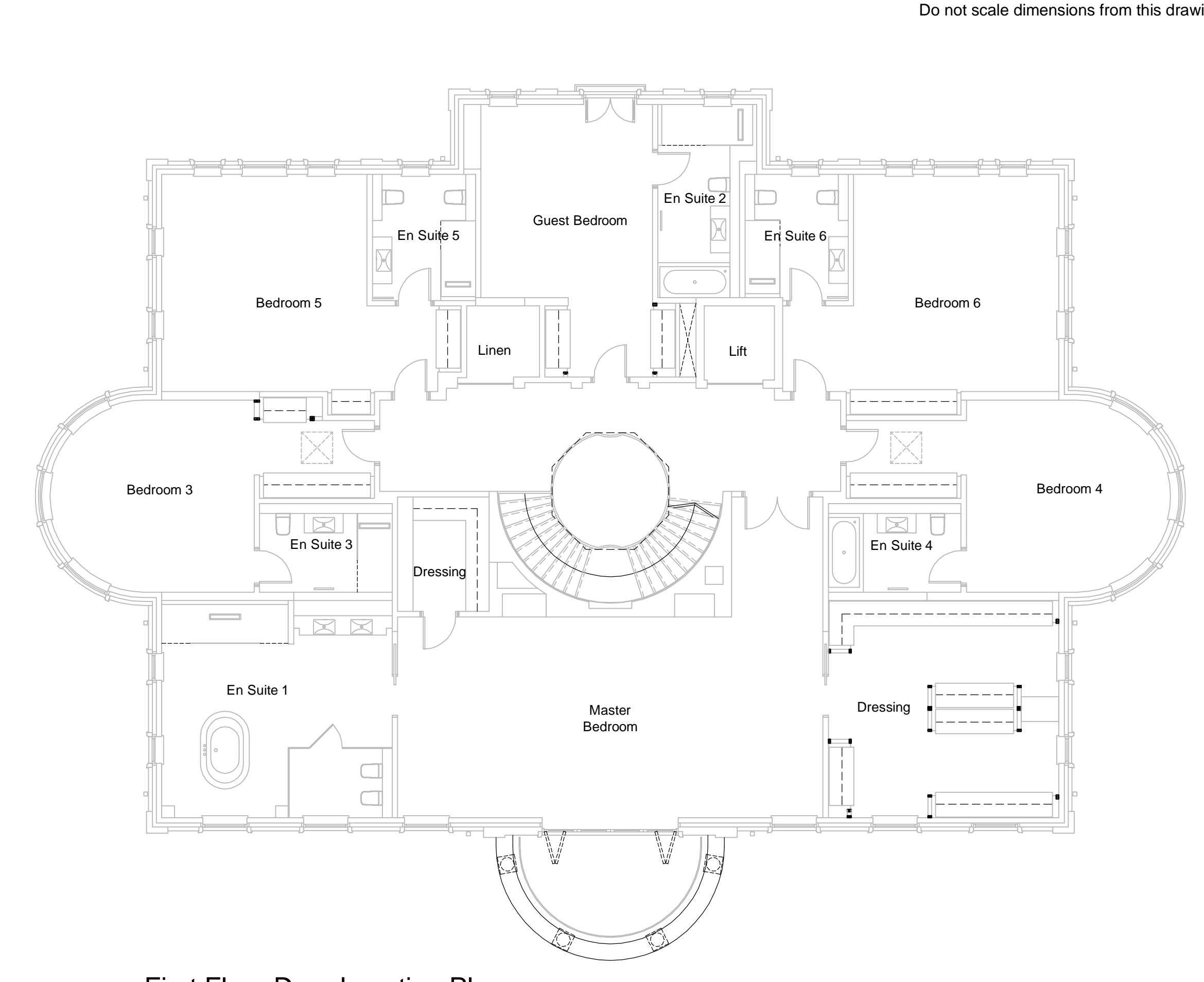


Basement Door Location Plan



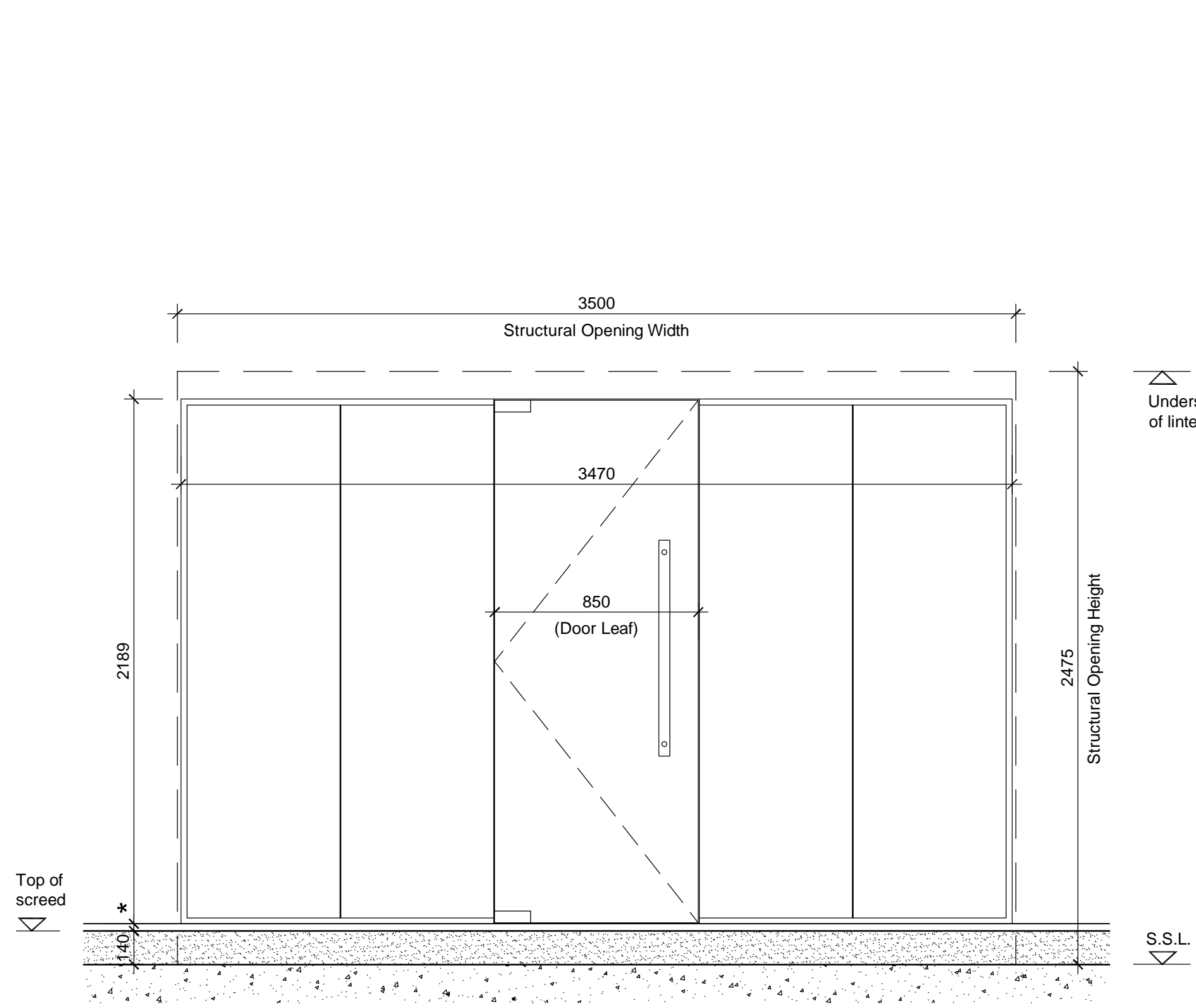
Ground Floor Door Location Plan



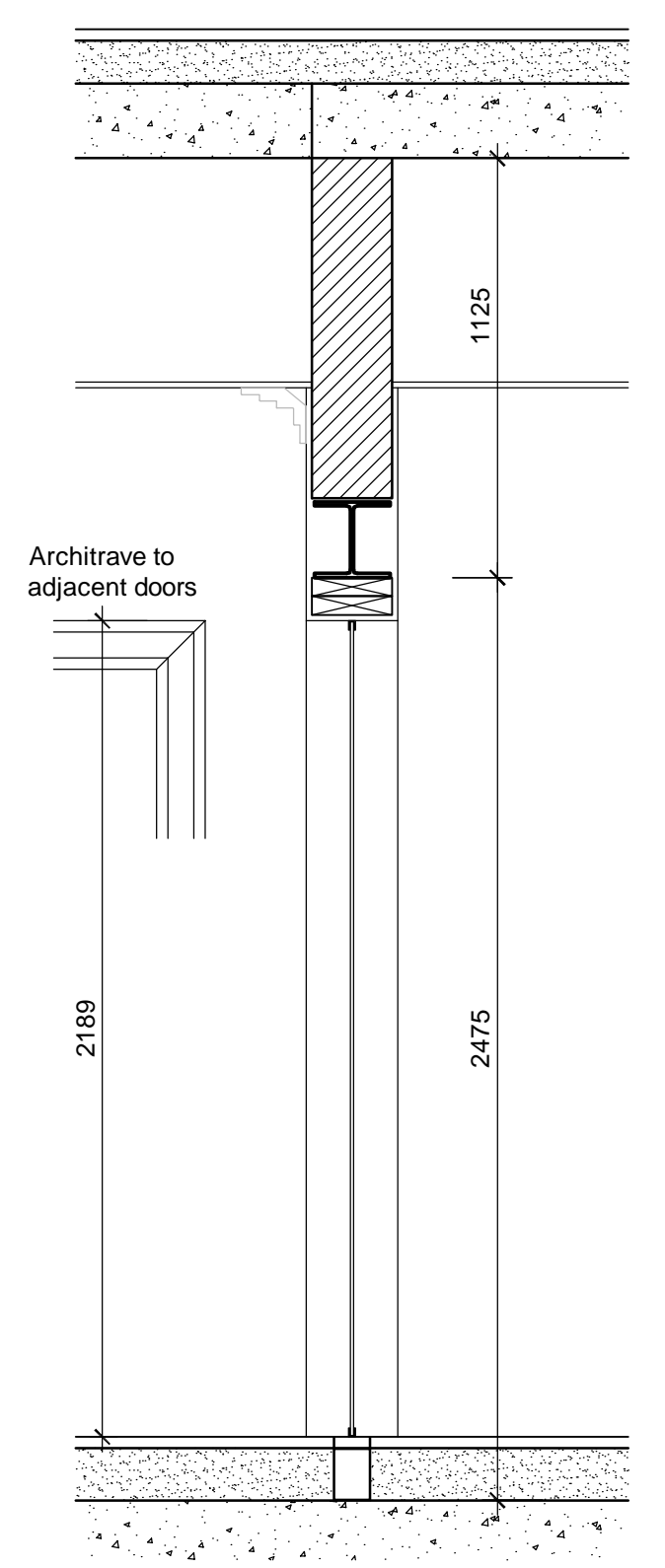
First Floor Door Location Plan

NOTE
FOR ELEVATIONS & DETAILS OF SOLID DOORS REFER TO SEPARATE DRAWINGS.

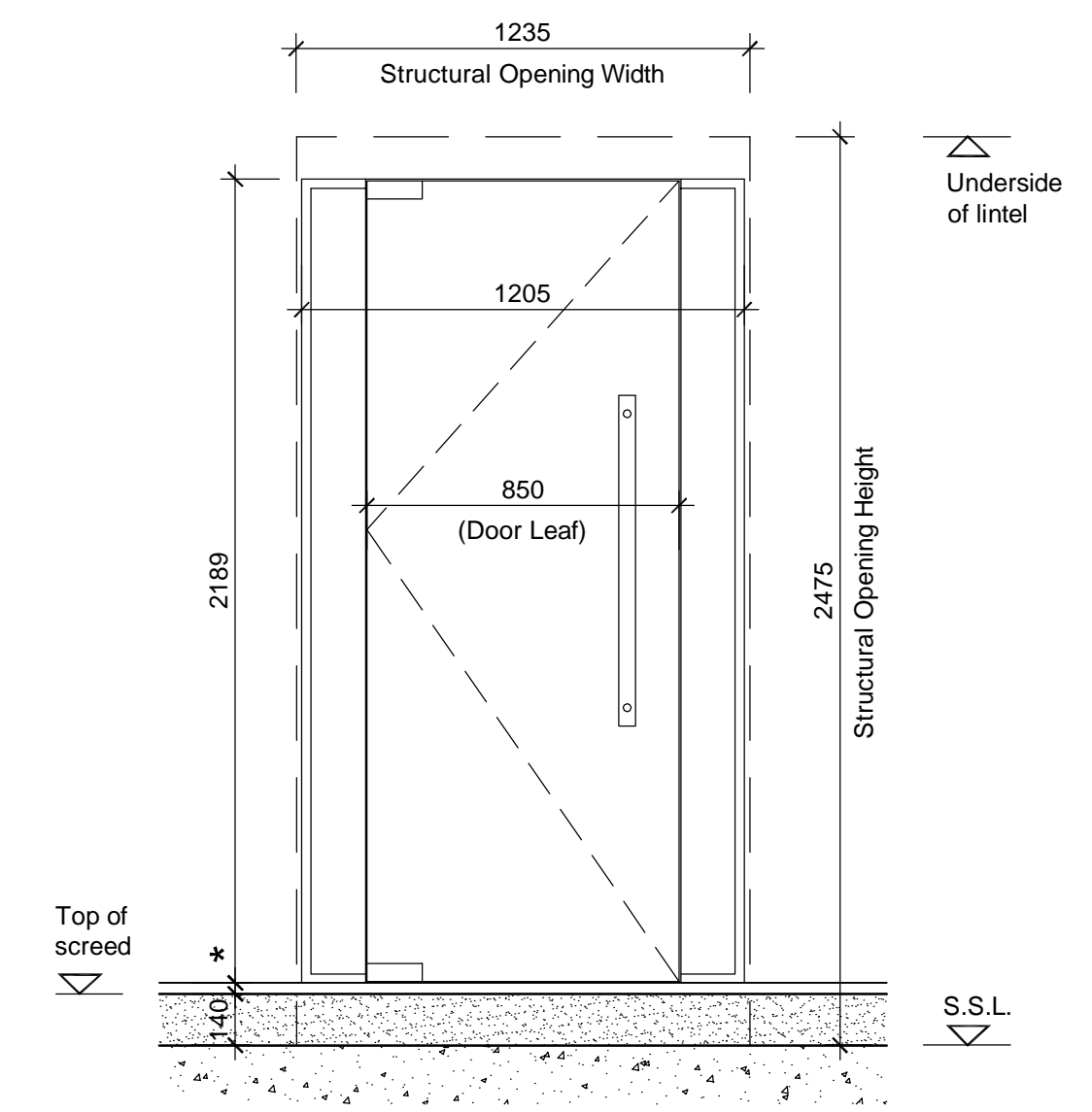
Door Ref	Structural Opening	Door Height	Elevation	Notes
BGD01	3500 x 2475mm	850 x 2181mm	A	
BGD02	1235 x 2475mm	850 x 2181mm	B	
BGD03		2 no. 850 x 2461mm	C	
BGD04		850 x 2461mm	D	
BGD05		2 no. 850 x 2461mm	E	
BGD06		2 no. 850 x 2461mm	E	
BGD07		850 x 2461mm	D	
BGD08	900 x 2775mm	850 x 2461mm	F	
BGD09	900 x 2775mm	850 x 2461mm	F	
BGD10	900 x 2775mm	850 x 2461mm	F	
BGD11	900 x 2775mm	850 x 2461mm	F	
BGD12	2228 x 2775mm	850 x 2461mm	G	
BGD13	2228 x 2775mm	850 x 2461mm	G	
GGD01	2125 x 2875mm	2 no. 850 x 2408mm	H	
GGD02	2125 x 2875mm	2 no. 850 x 2408mm	H	
GGD03	2125 x 2875mm	2 no. 850 x 2408mm	H	
GGD04	2125 x 2875mm	2 no. 850 x 2408mm	H	



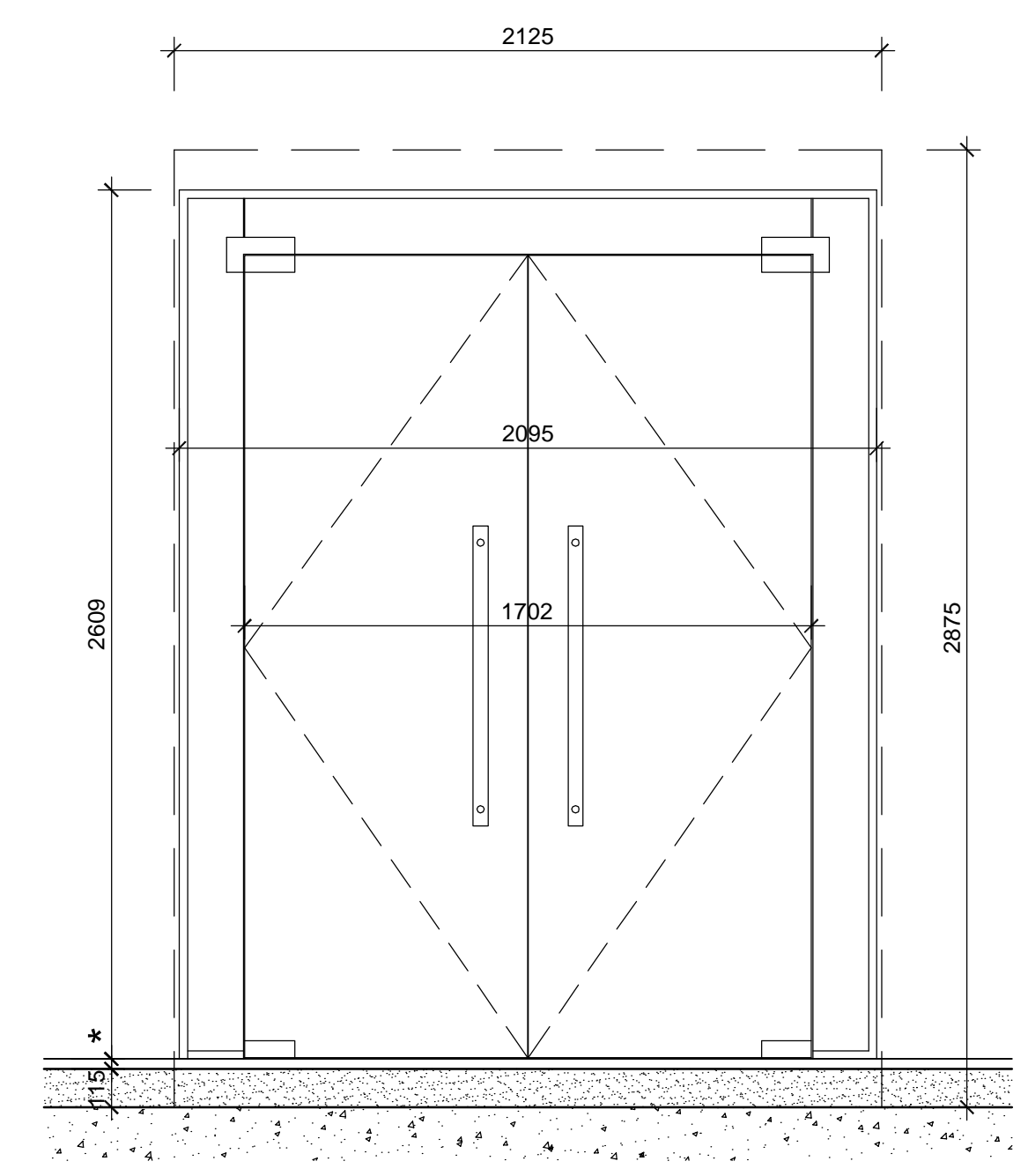
Elevation A



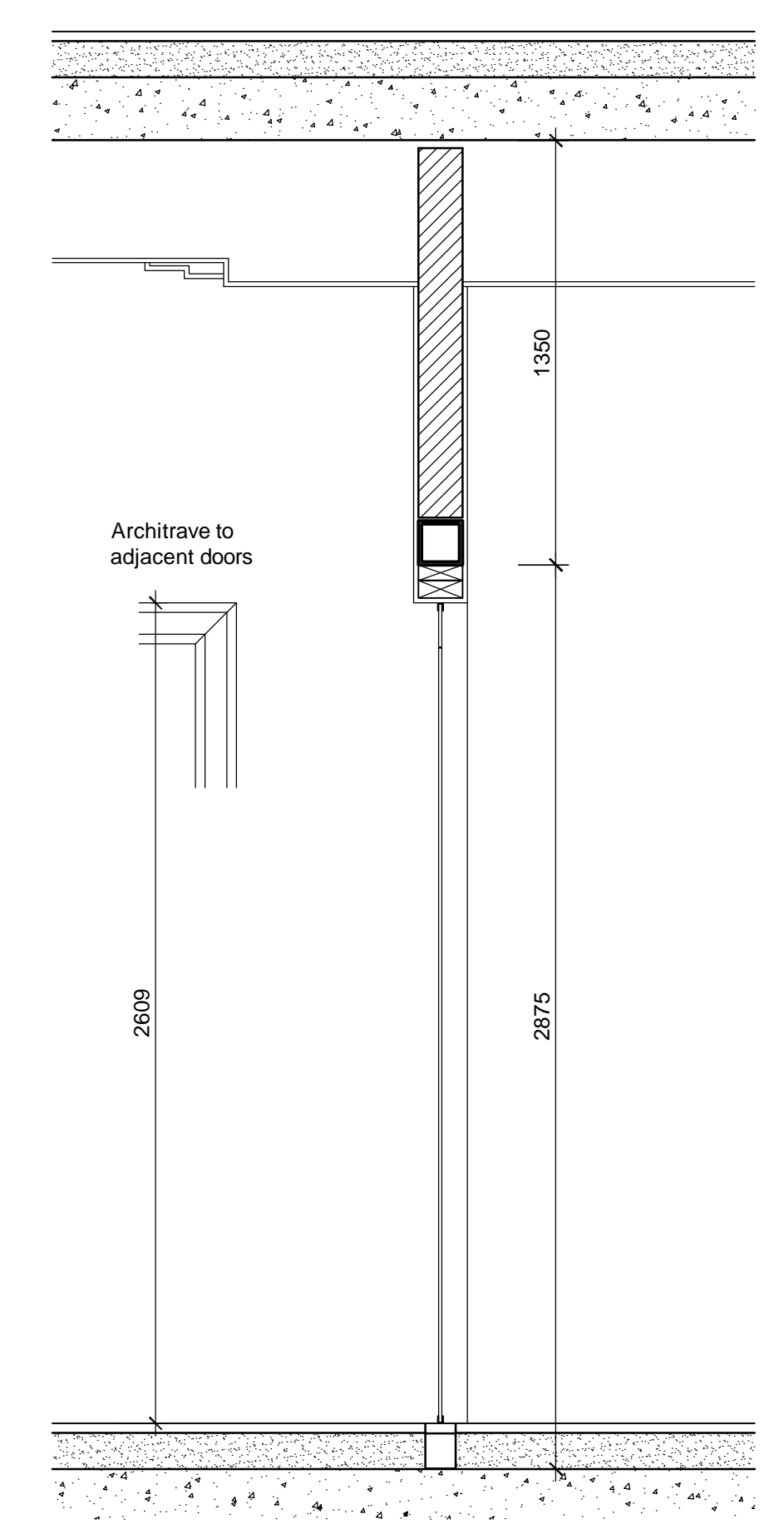
Elevation B



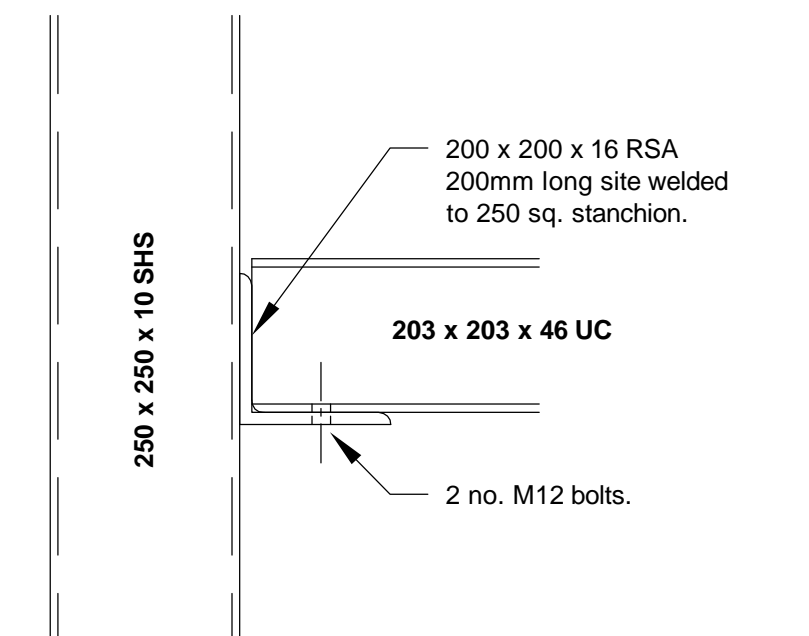
Elevation C



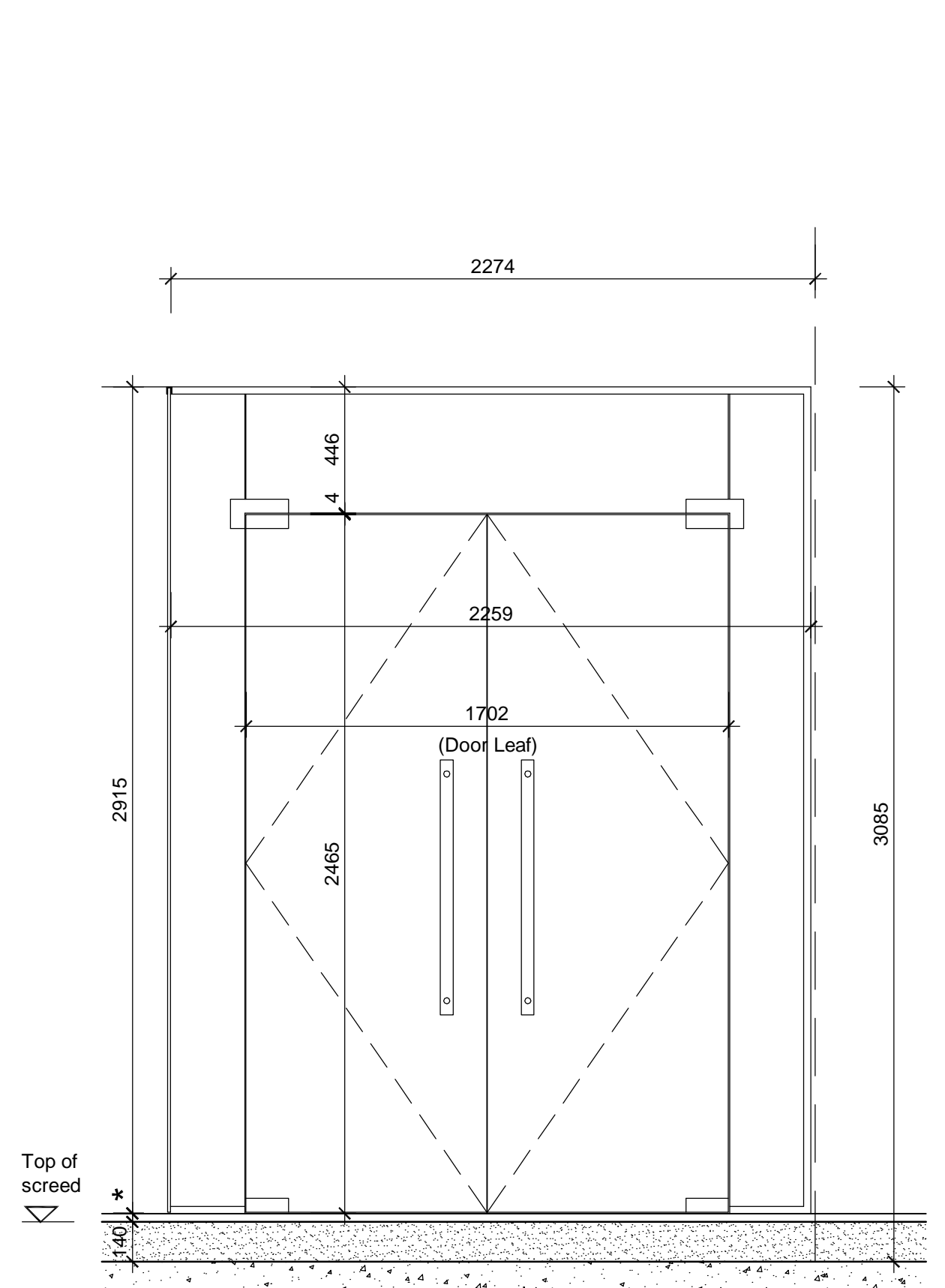
Elevation H



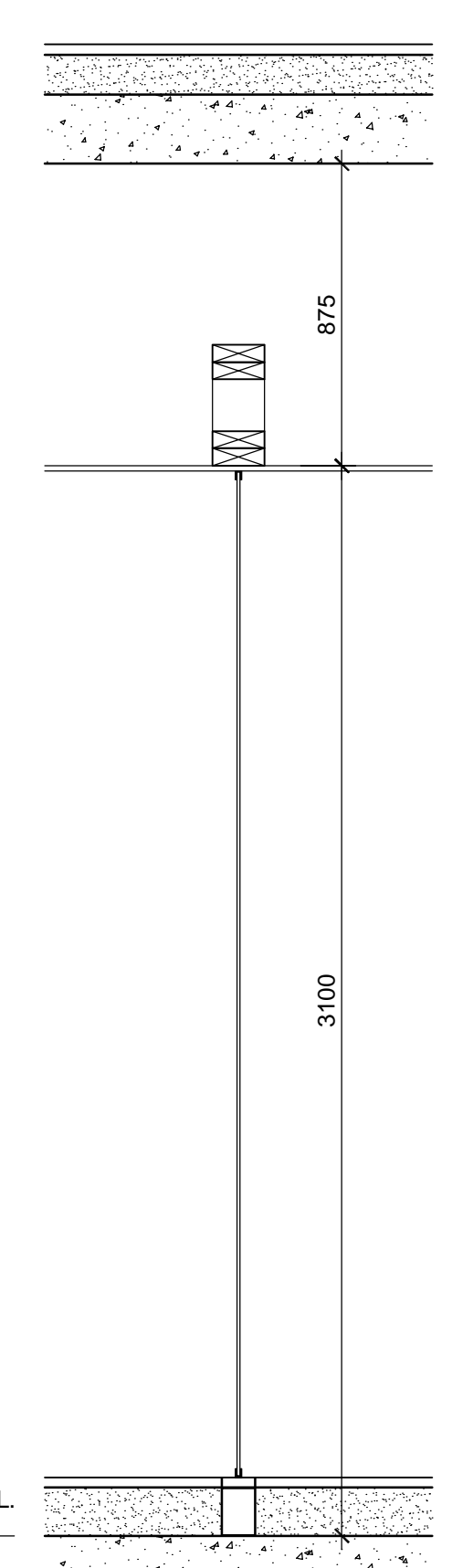
Elevation I



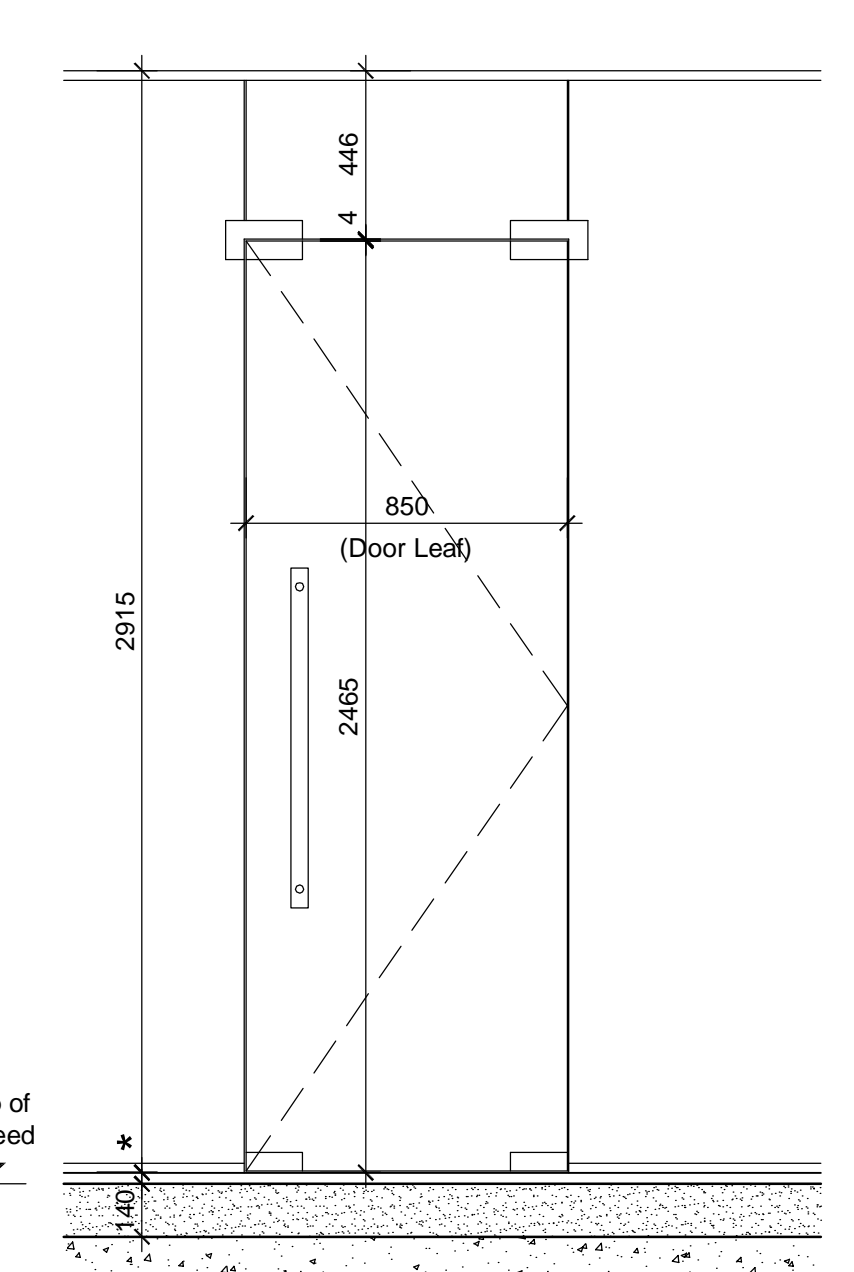
Lintel/Column Connection Detail
WGD12 & WGD13
Scale 1:10



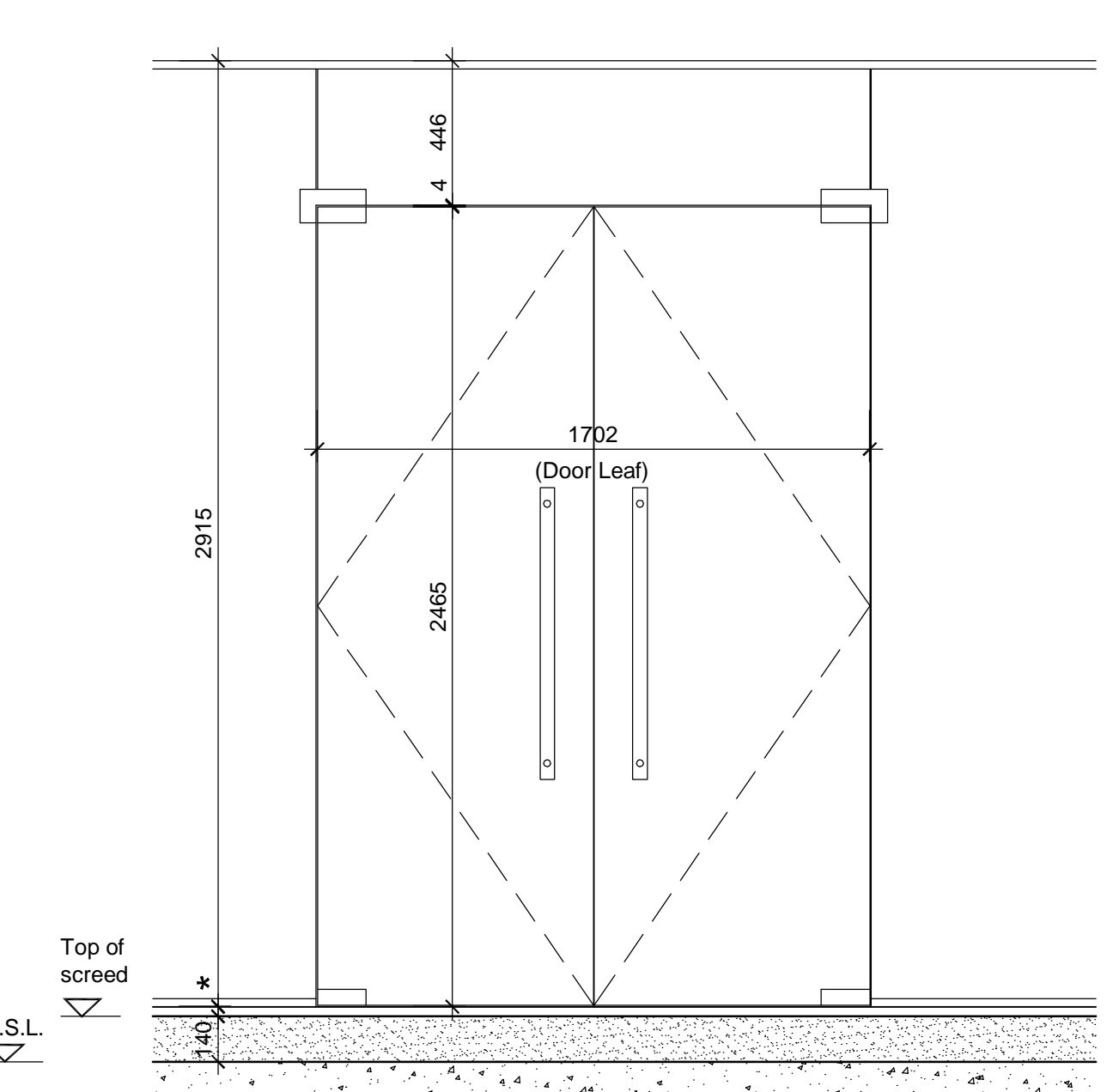
Elevation C



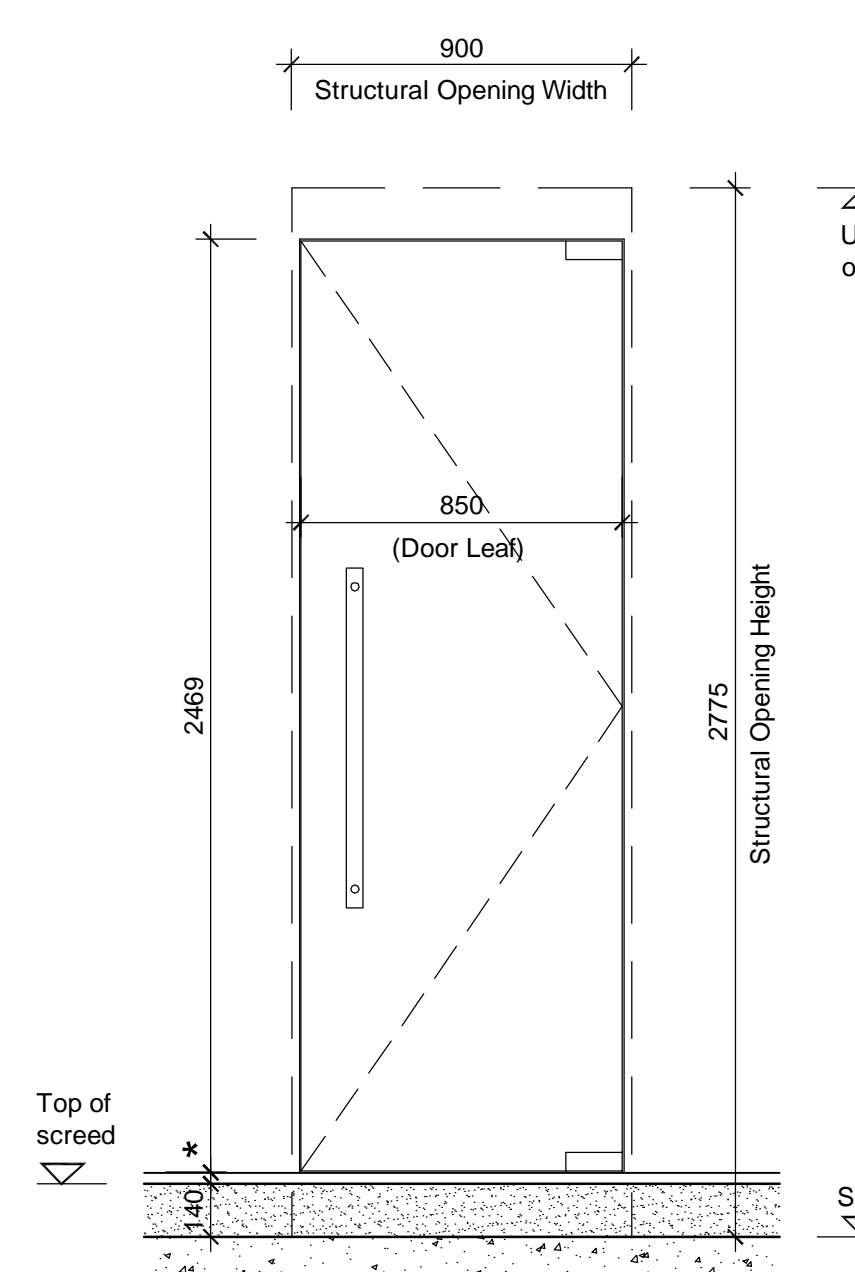
Elevation D



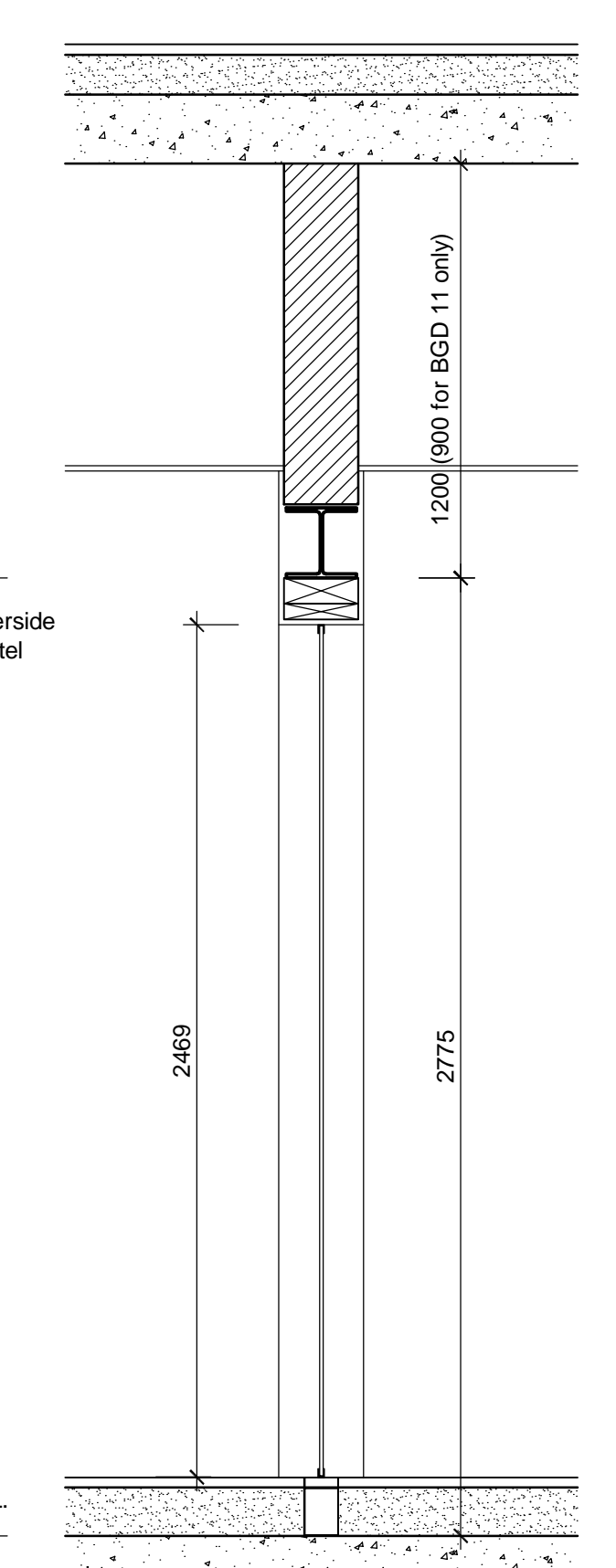
Elevation E



Elevation F



Elevation G



Elevation H

* Floor Covering Finish Depth:
30mm Depth for Marble Finish
20mm Depth for Porcelain Tile
or Carpet

NOTE
ALL DIMENSIONS TO BE SITE CHECKED PRIOR TO ORDERING OF DOORS. ALLOWANCES FOR FLOOR THICKNESS TO BE CHECKED AGAINST FINISHES SPECIFICATION.

A Construction Issue 03.10.13
Revision Date

OCTAGON
Octagon Developments Limited
Well House Hurst Road
East Molesey, Surrey, KT8 9AY
T: +44 (0) 208 481 7500
F: +44 (0) 208 481 7501
E: octagon@octagon.co.uk
W: www.octagon.co.uk

Project: **Overbye, St Georges Hill**
Title: **Internal Door Schedule Glass Doors**
Status: **Construction**
Scale: 1:20
Job number: **0623**
Draw number: **7018**
Date: **Sept. 13**
Revision: **A**
© Copyright Octagon Developments Limited