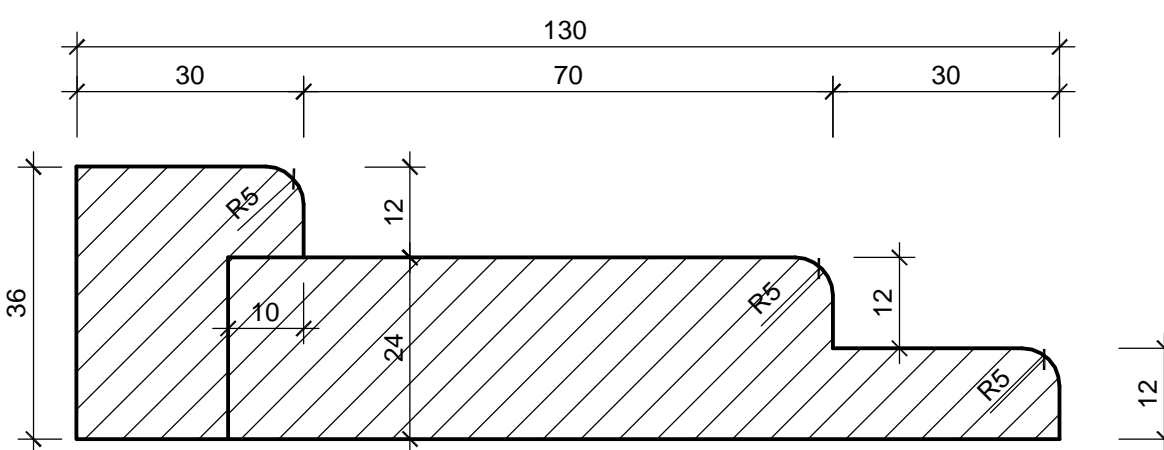


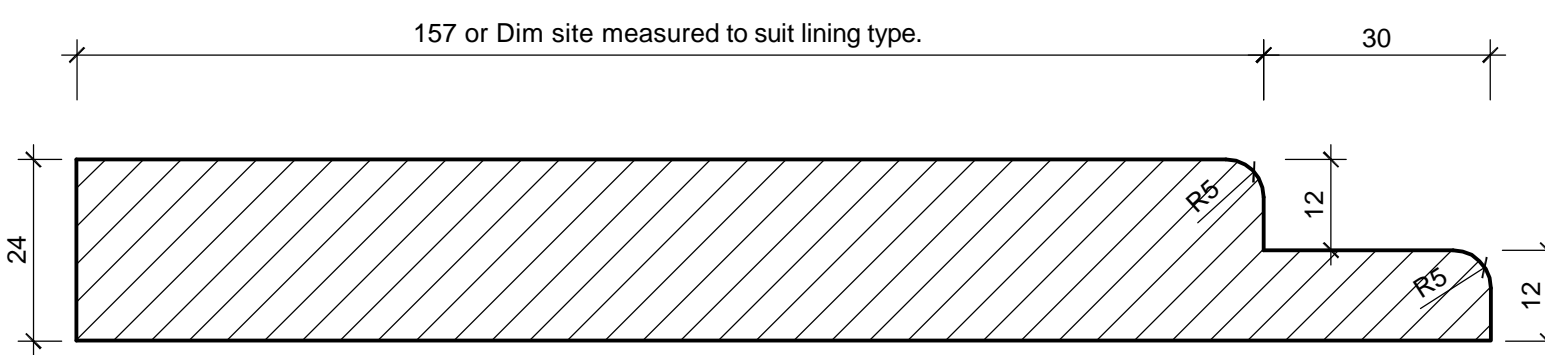
* = Floor Covering Finish Depth
 30mm Depth for Marble Finish
 20mm Depth for Porcelain Tile or Carpet

Basement Door Ref. Numbers					
Door Ref	Door Facing Type	Structural Opening	Door Height	Elevation	Notes
BD01	Panelled	1425 x 2325mm	2 no. 626 x 2040mm	B	Kitchen doors (saloon type hinges)
BD02	Panelled	1000 x 2325mm	826 x 2040mm	A	
BD03	Panelled	1000 x 2325mm	826 x 2040mm	A	
BD04	Panelled	1000 x 2325mm	826 x 2040mm	A	
BD05	Panelled	1000 x 2475mm	826 x 2040mm	C	Below stair landing (lintel not reqd.)
BD06	Panelled	1000 x 2700mm	826 x 2415mm	D	
BD07	Panelled	1000 x 2700mm	826 x 2415mm	D	
BD08	Panelled	1000 x 2700mm	826 x 2415mm	D	
BD09	Panelled	1000 x 2700mm	826 x 2415mm	D	
BD10	Panelled	1000 x 2700mm	826 x 2415mm	D	
BD11	Panelled	1000 x 2325mm	826 x 2040mm	A	
BD12	Panelled	1000 x 2325mm	826 x 2040mm	A	
BD13	Panelled	1000 x 2325mm	826 x 2040mm	A	
BD14	Panelled	1000 x 2325mm	826 x 2040mm	A	
BD15	Panelled	1000 x 2325mm	826 x 2040mm	A	
BD16	Panelled	1000 x 2325mm	826 x 2040mm	A	
BD17	Panelled	1000 x 2325mm	826 x 2040mm	A	
BD18	Panelled	1000 x 2325mm	826 x 2040mm	A	

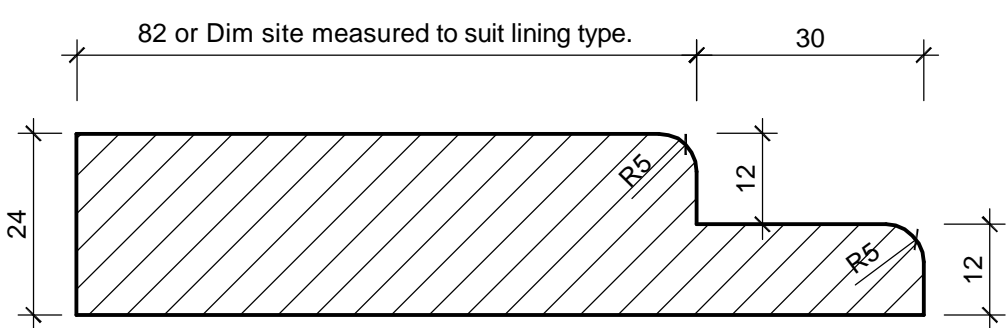
NOTE
 Door leaf sizes & structural opening sizes, based on use of 32mm timber sub lining & 44mm finished door frame.



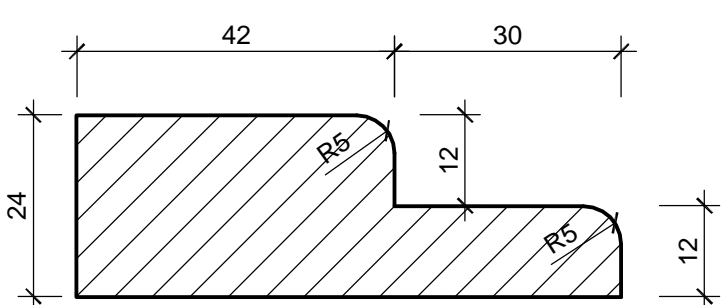
Typical Architrave Detail A Scale 1:1



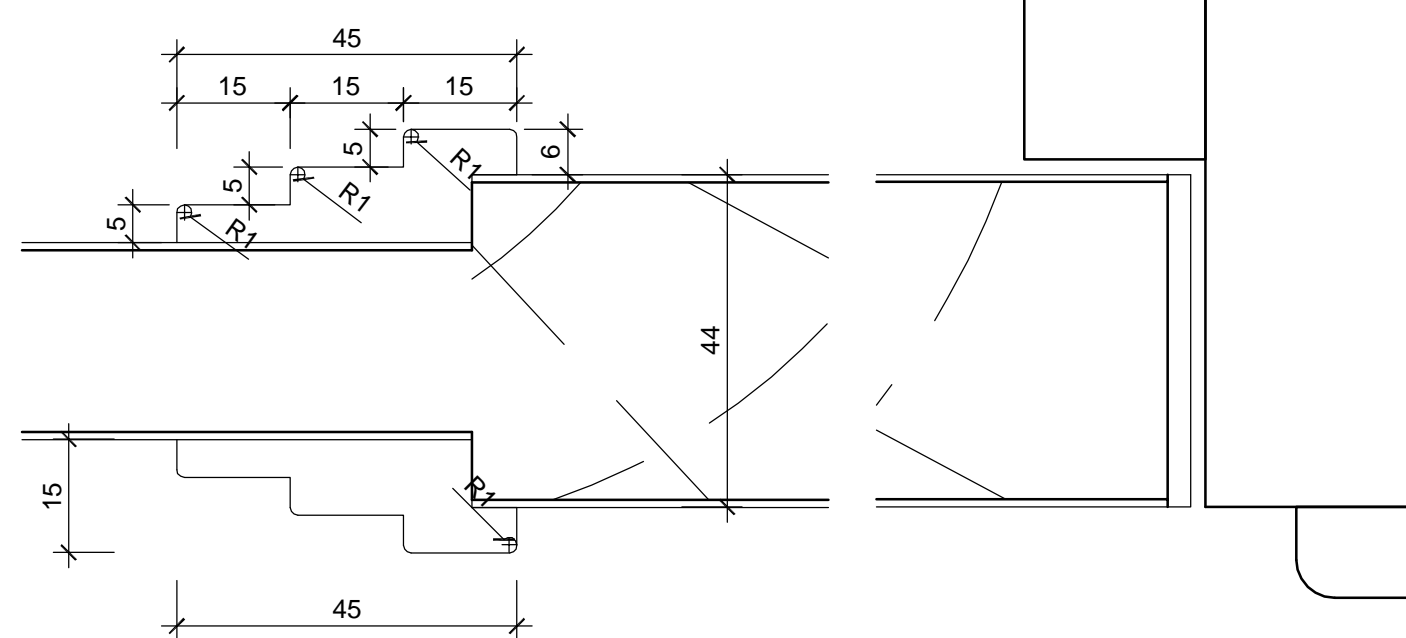
Door Stop Detail 1 Scale 1:1



Door Stop Detail 2 Scale 1:1

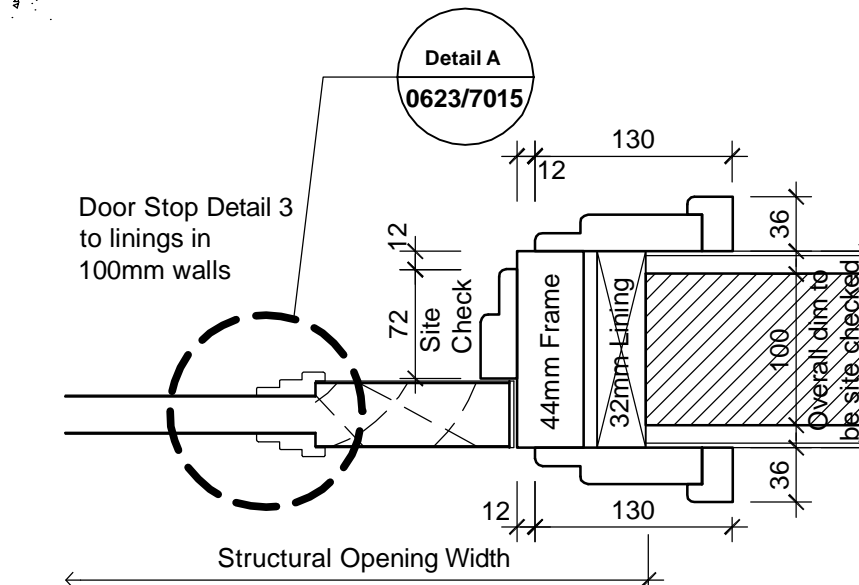


Door Stop Detail 3 Scale 1:1

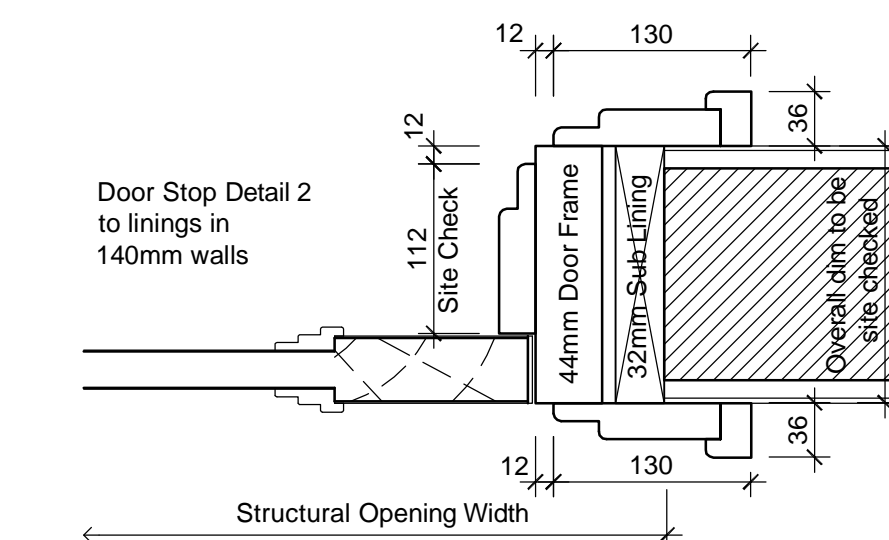


Detail A - Door Moulding Profile (1:1)

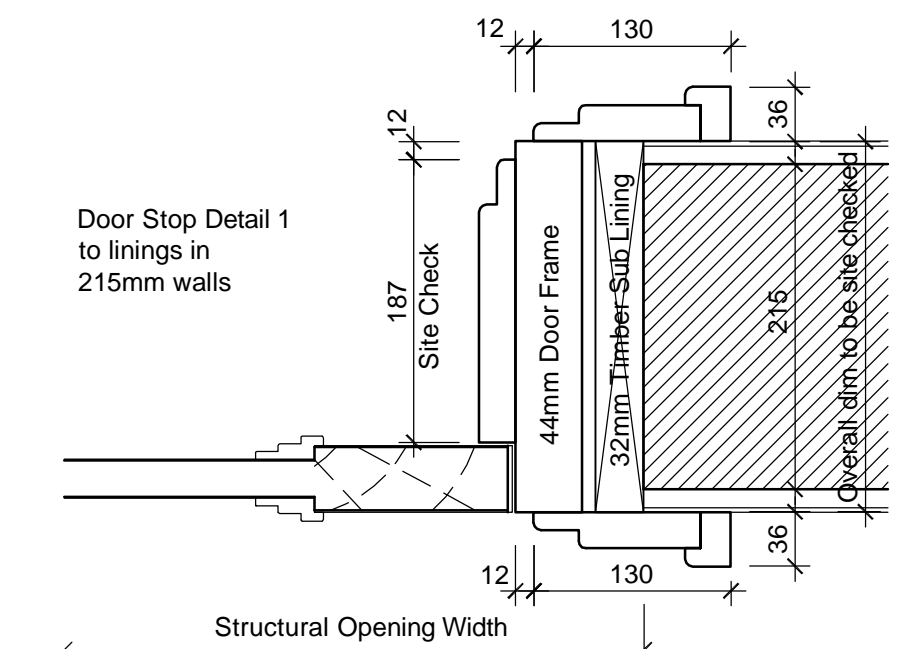
NOTE
 FOR ELEVATIONS & DETAILS OF FULLY GLAZED DOORS / SCREENS REFER TO SEPARATE DRAWINGS.



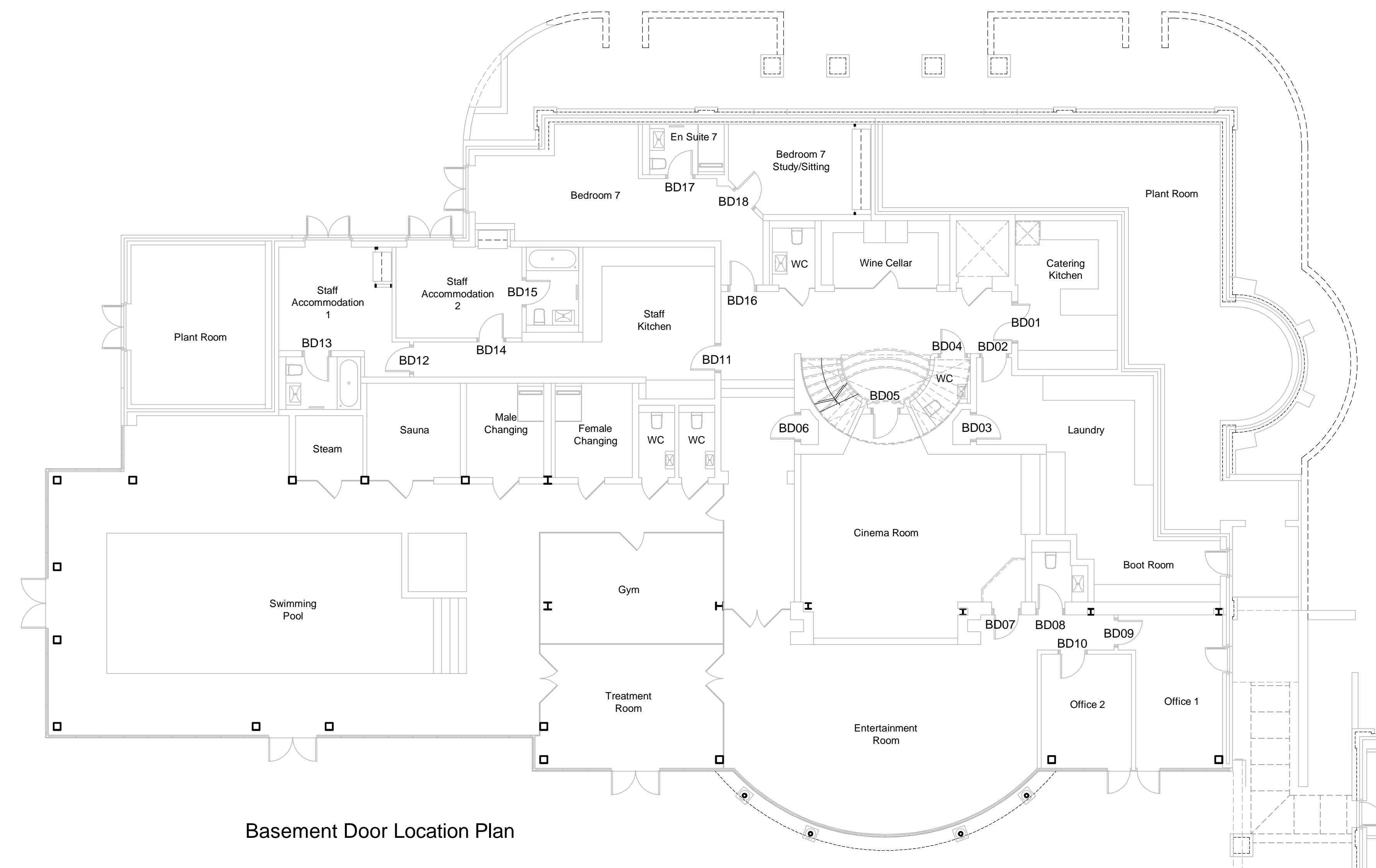
Typical Jamb Detail 100mm Thick Wall (1:5)



Typical Jamb Detail 140mm Thick Wall (1:5)



Typical Jamb Detail 215mm Thick Wall (1:5)



Basement Door Location Plan

NOTE
 ALL DIMENSIONS TO BE SITE CHECKED PRIOR TO ORDERING OF DOORS. ALLOWANCES FOR FLOOR THICKNESS TO BE CHECKED AGAINST FINISHES SPECIFICATION.

Revision	Date
B Door BD18 added.	31.10.13
A Construction Issue.	03.10.13



Octagon Developments Limited
 Weir House Hurst Road
 East Molesey Surrey KT8 9AQ
 T: +44 (0) 208 481 7500
 F: +44 (0) 208 481 7501
 E: Octagon@Octdev.co.uk
 W: www.Octdev.co.uk

Project
Overbye, St George's Hill
 Title
Basement Internal Door Schedule

Status	Scale	Drawn	Date
Construction	1:20	sh	Aug. '13
Job number	0623	Drawing number	7015
		Revision	B