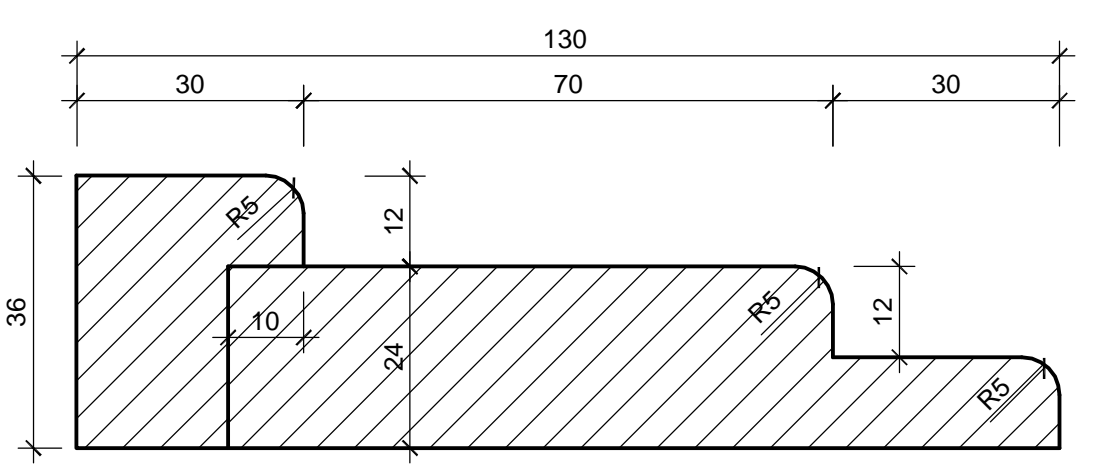
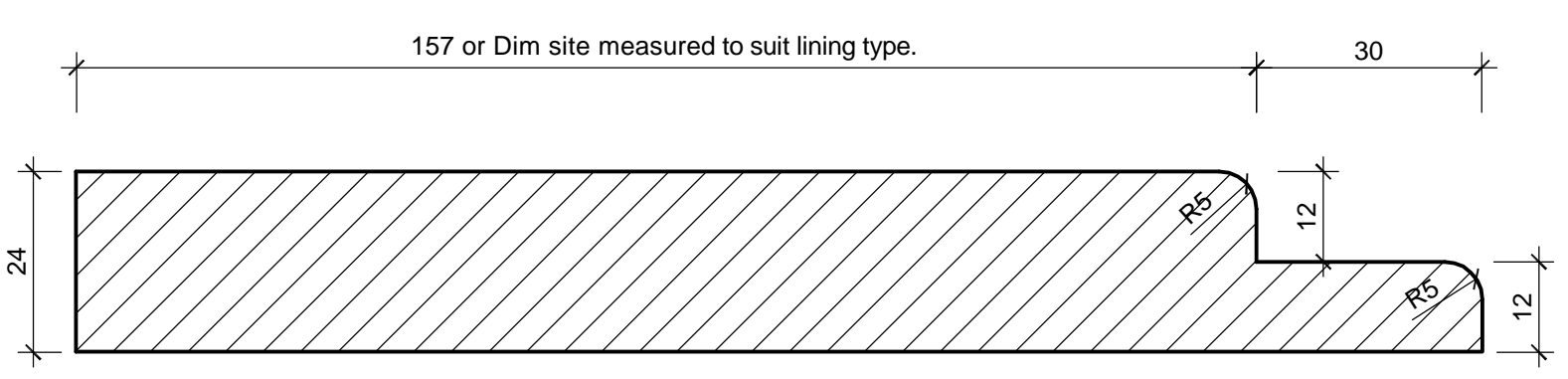


Basement Door Ref. Numbers					
Door Ref	Door Facing Type	Structural Opening	Door Height	Elevation	Notes
BD01	Panelled	1425 x 2325mm	2 no. 626 x 2040mm	B	Kitchen doors (saloon type hinges)
BD02	Panelled	1000 x 2325mm	826 x 2040mm	A	
BD03	Panelled	1000 x 2325mm	826 x 2040mm	A	
BD04	Panelled	1000 x 2325mm	826 x 2040mm	A	
BD05	Panelled	1000 x 2475mm	826 x 2040mm	C	Below stair landing (lintel not reqd.)
BD06	Panelled	1000 x 2700mm	826 x 2415mm	D	
BD07	Panelled	1000 x 2700mm	826 x 2415mm	D	
BD08	Panelled	1000 x 2700mm	826 x 2415mm	D	
BD09	Panelled	1000 x 2700mm	826 x 2415mm	D	
BD10	Panelled	1000 x 2700mm	826 x 2415mm	D	
BD11	Panelled	1000 x 2325mm	826 x 2040mm	A	
BD12	Panelled	1000 x 2325mm	826 x 2040mm	A	
BD13	Panelled	1000 x 2325mm	826 x 2040mm	A	
BD14	Panelled	1000 x 2325mm	826 x 2040mm	A	
BD15	Panelled	1000 x 2325mm	826 x 2040mm	A	
BD16	Panelled	1000 x 2325mm	826 x 2040mm	A	
BD17	Panelled	1000 x 2325mm	826 x 2040mm	A	

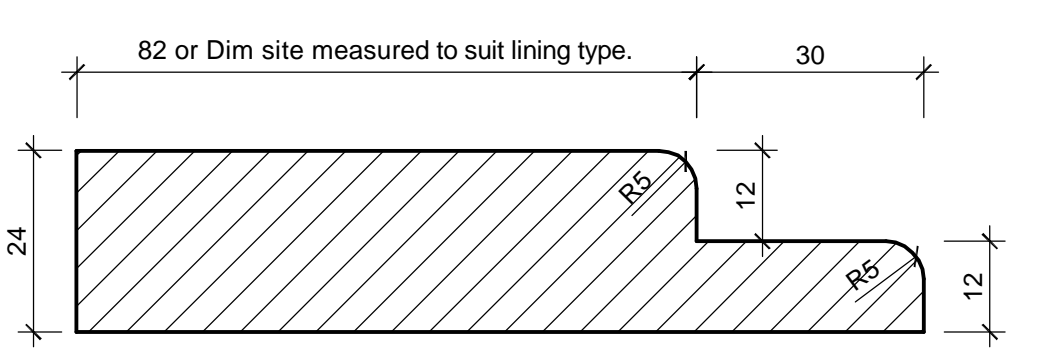
**NOTE**  
Door leaf sizes & structural opening sizes, based on use of 32mm timber sub lining & 44mm finished door frame.



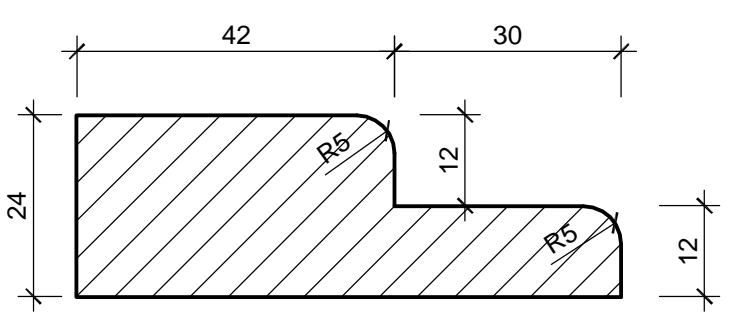
Typical Architrave Detail A Scale 1:1



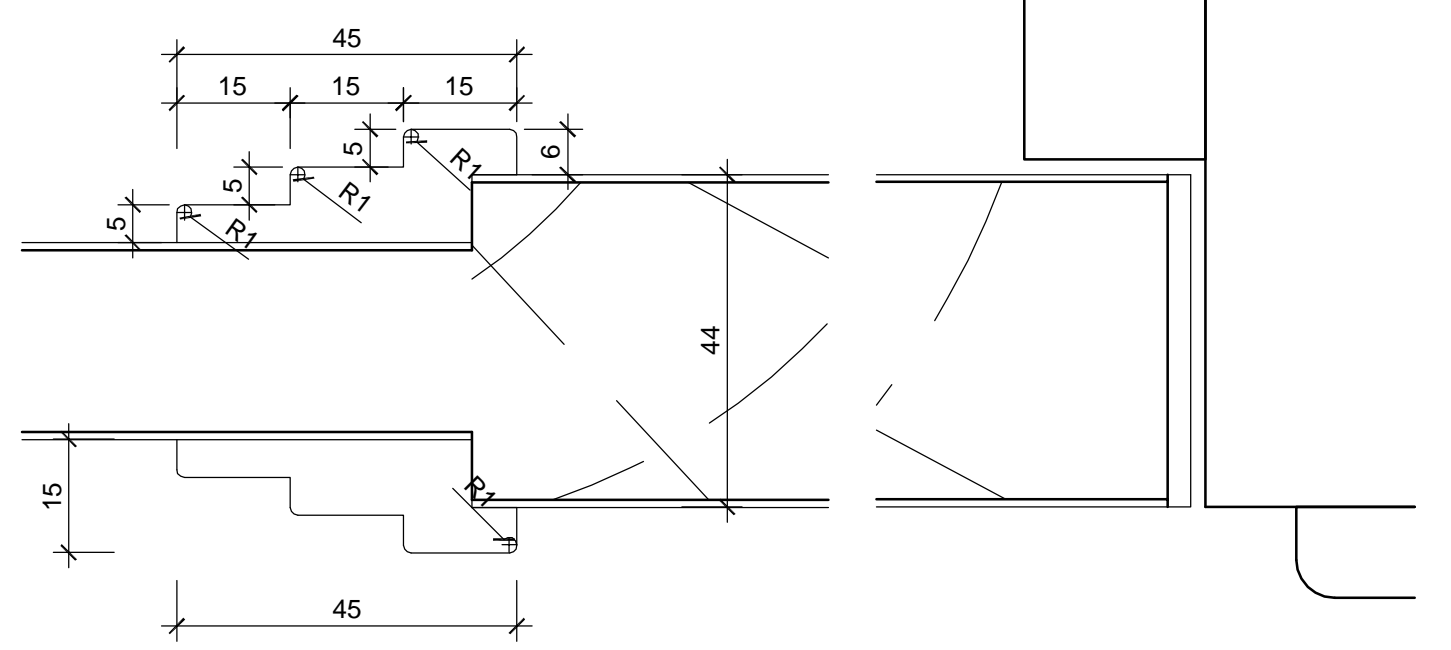
Door Stop Detail 1 Scale 1:1



Door Stop Detail 2 Scale 1:1

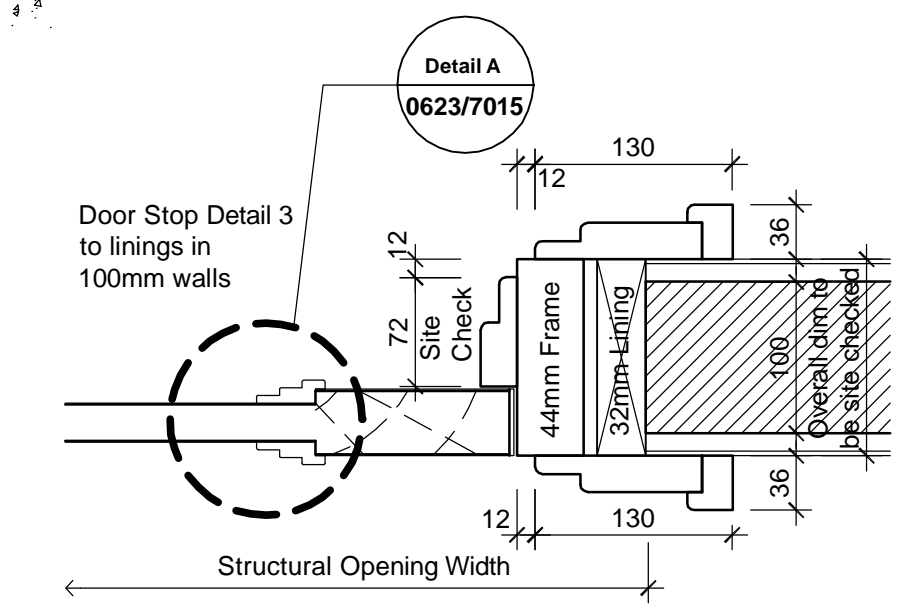


Door Stop Detail 3 Scale 1:1

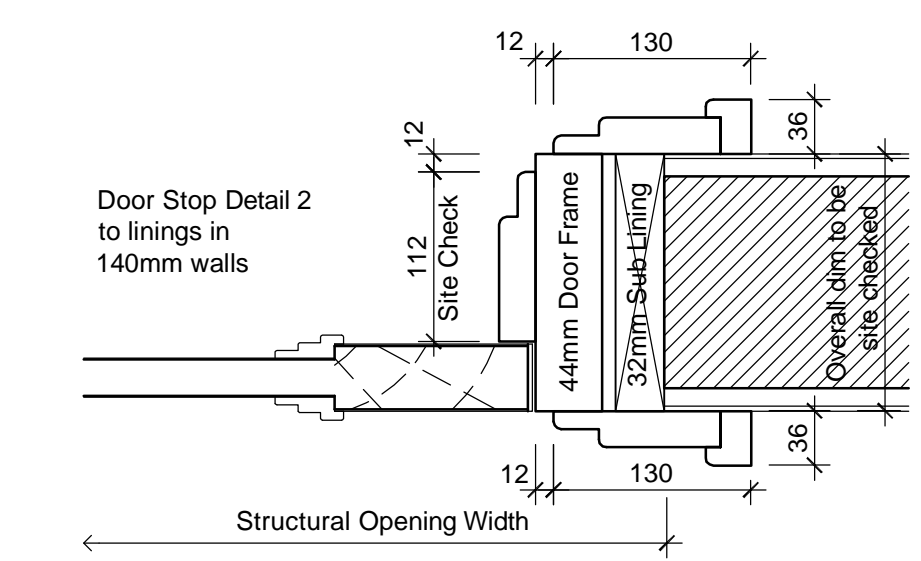


Detail A - Door Moulding Profile (1:1)

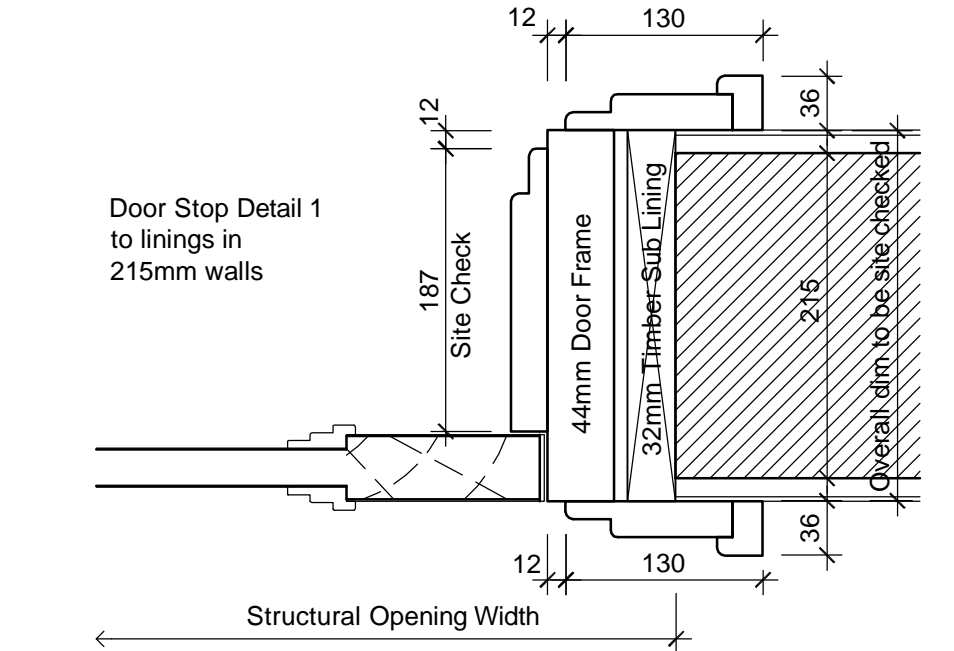
**NOTE**  
FOR ELEVATIONS & DETAILS OF FULLY GLAZED DOORS / SCREENS REFER TO SEPARATE DRAWINGS.



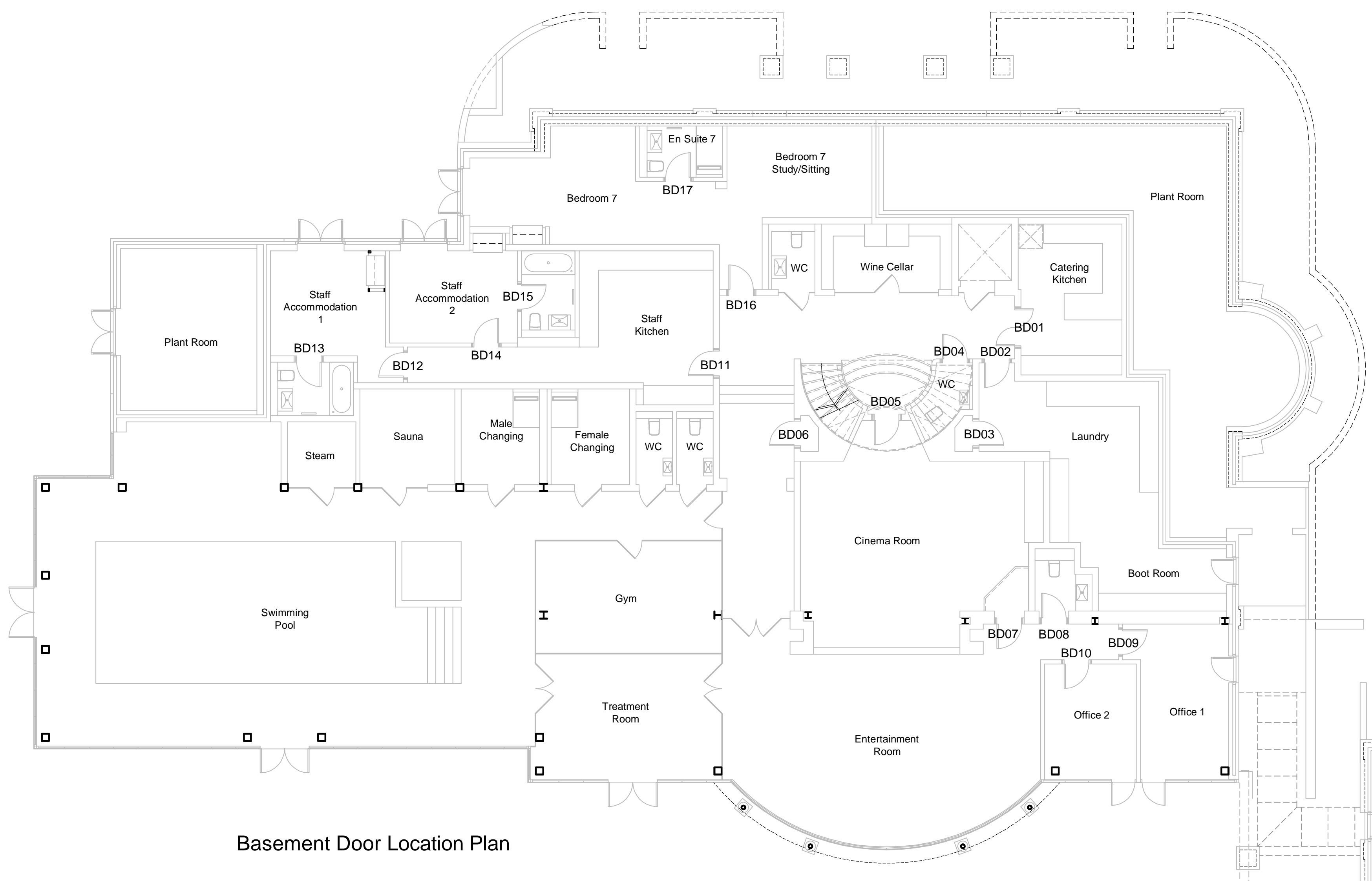
Typical Jamb Detail 100mm Thick Wall (1:5)



Typical Jamb Detail 140mm Thick Wall (1:5)



Typical Jamb Detail 215mm Thick Wall (1:5)



Basement Door Location Plan

**NOTE**  
ALL DIMENSIONS TO BE SITE CHECKED PRIOR TO ORDERING OF DOORS. ALLOWANCES FOR FLOOR THICKNESS TO BE CHECKED AGAINST FINISHES SPECIFICATION.

A	Construction Issue	03.10.13
	Revision	Date



Octagon Developments Limited  
Weir House Hurst Road  
East Molesey Surrey KT8 9AQ  
T: +44 (0) 208 481 7500  
F: +44 (0) 208 481 7501  
E: Octagon@Octdev.co.uk  
W: www.Octdev.co.uk

Project  
**Overbye, St George's Hill**  
Title  
**Basement Internal Door Schedule**

Status	Construction	Scale	1:20	Drawn	sh	Date	Aug. '13
		Job number	0623	Drawing number	7015	Revision	A