

Notes

1. All quantities shown are actual quantities required for each plot. Any excess (for breakage etc.) should be allowed for by the surveyor.
2. All stone components are to be smooth PORTLAND STONE finish.
3. All components over 25kg are to have recessed lifting eye sockets cast in.
4. Any reinforcement deemed necessary by the supplier for safe handling and transportation is to be included.
5. Details indicated allow for manufacturing in wet cast acid etched concrete. Details and unit sizes will vary if dry cast is selected.
6. Minimum reinforcement for structural members is noted on these drawings. Supplier to provide all other necessary reinforcement in accordance with normal standard / good practice.
7. Reinforcement must be provided with 40mm concrete cover. Where ever this cannot be achieved the supplier will be required to use stainless steel reinforcement.
8. Supplier will be required to determine both quantities and provide bar bending schedules for reinforcement as necessary - all for suppliers own use.
9. Lapped joints in reinforcement bars for stonework concrete will **not** be permitted.
10. Concrete strength for all structural stonework and cavity walls to be 35N/mm² at 28 days with 10mm max. aggregate size.
11. Supplier to incorporate and supply all necessary fixings in accordance with normal standard / good practice, for all stonework / concrete members. (e.g. dowels, straps, ties, support brackets etc.)

Stone manufacturer to design & detail all units & provide all structural reinforcement to all stone units shown on this drawing which are all load bearing members.

B	HD08 & HD09 added.	09.01.14
A	Construction Issue.	07.01.14
Revision		Date

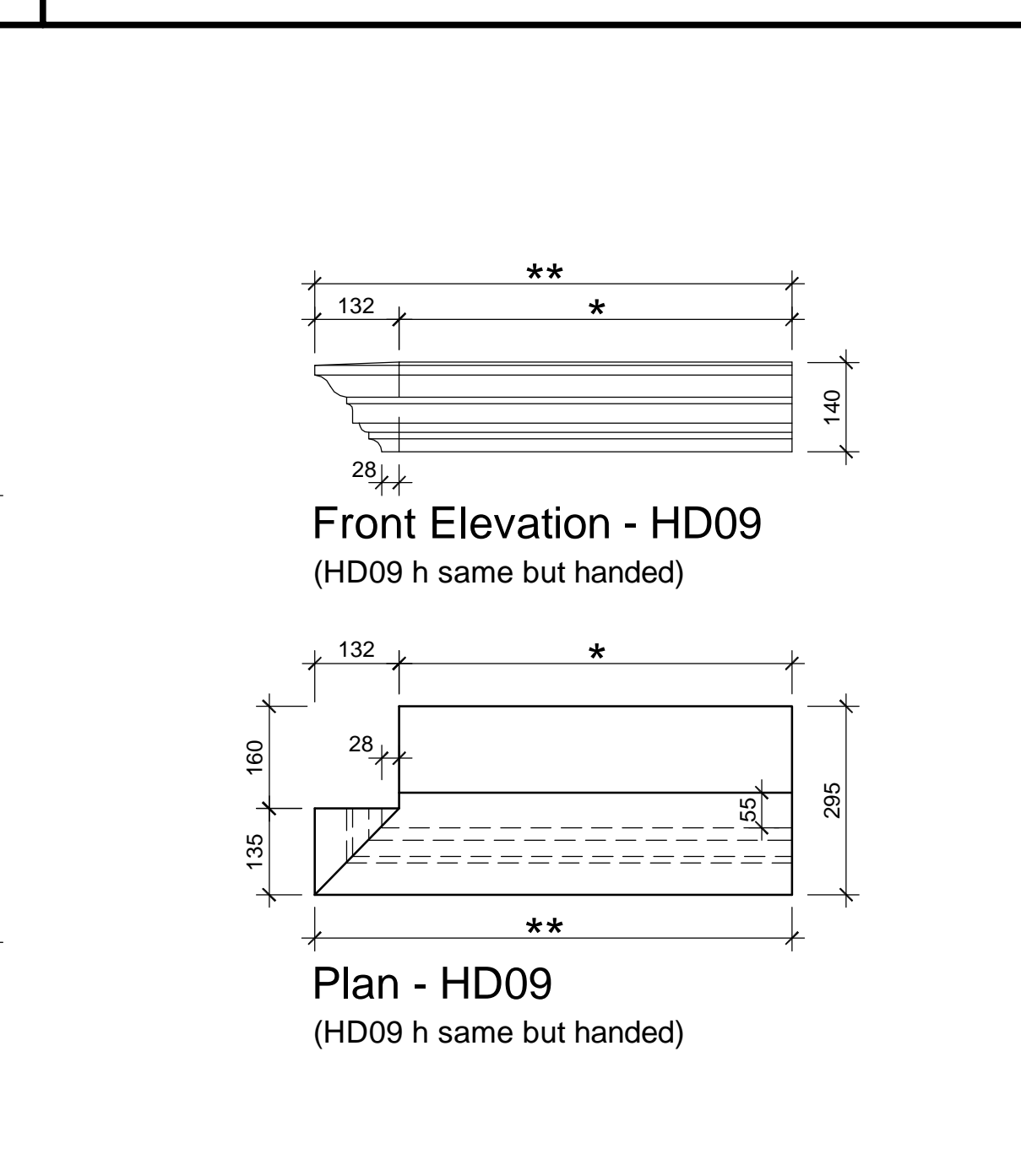
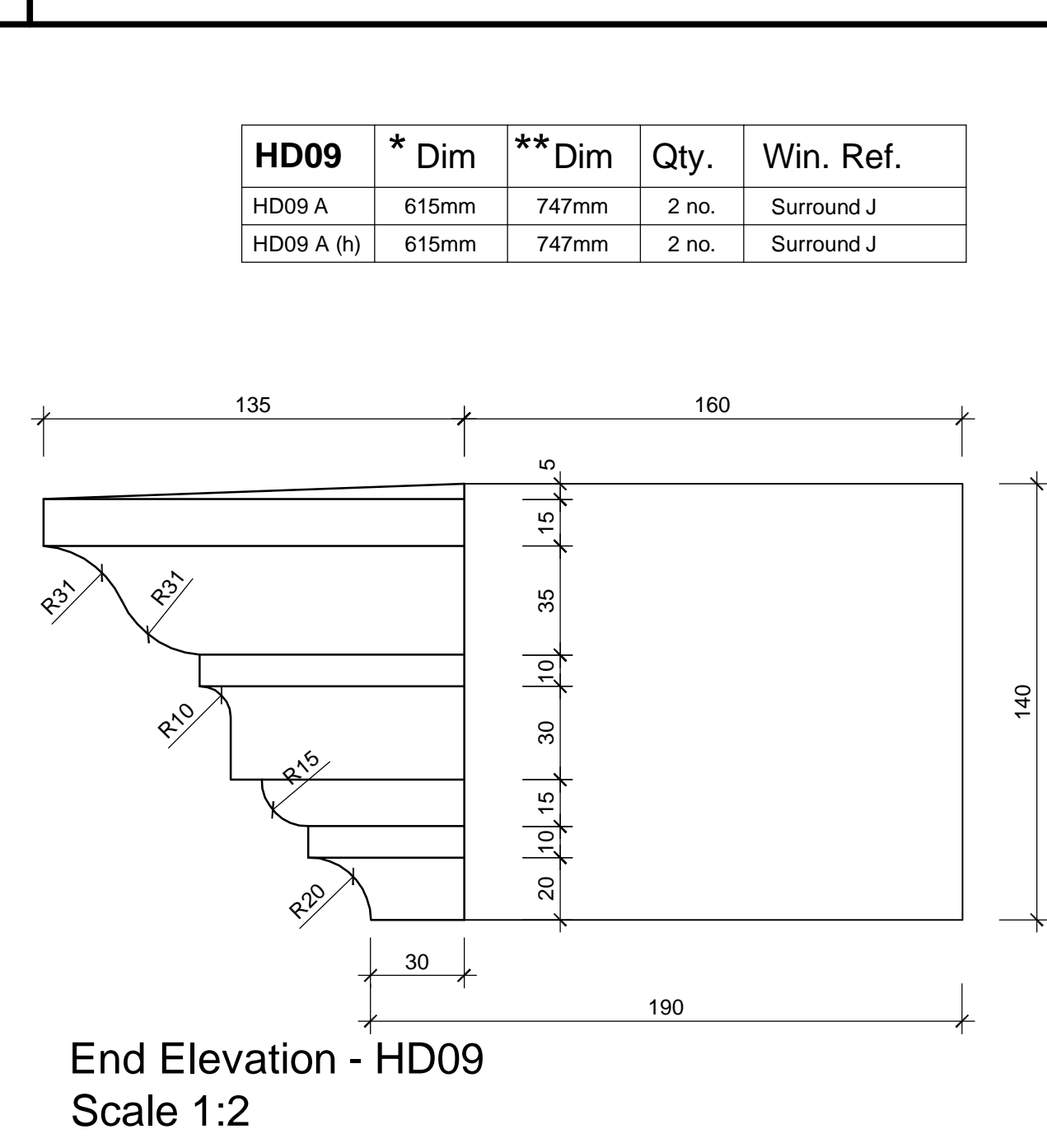
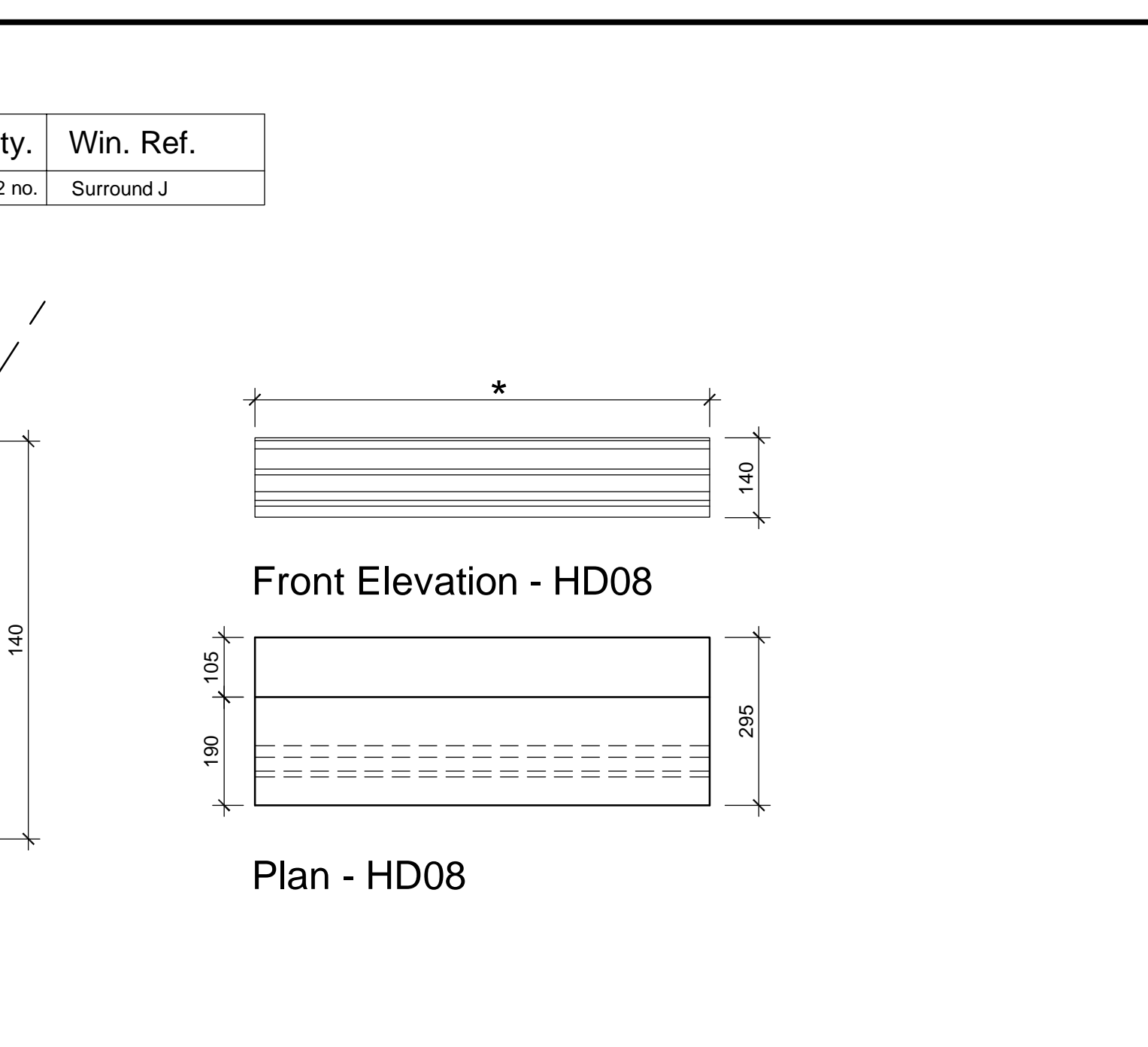
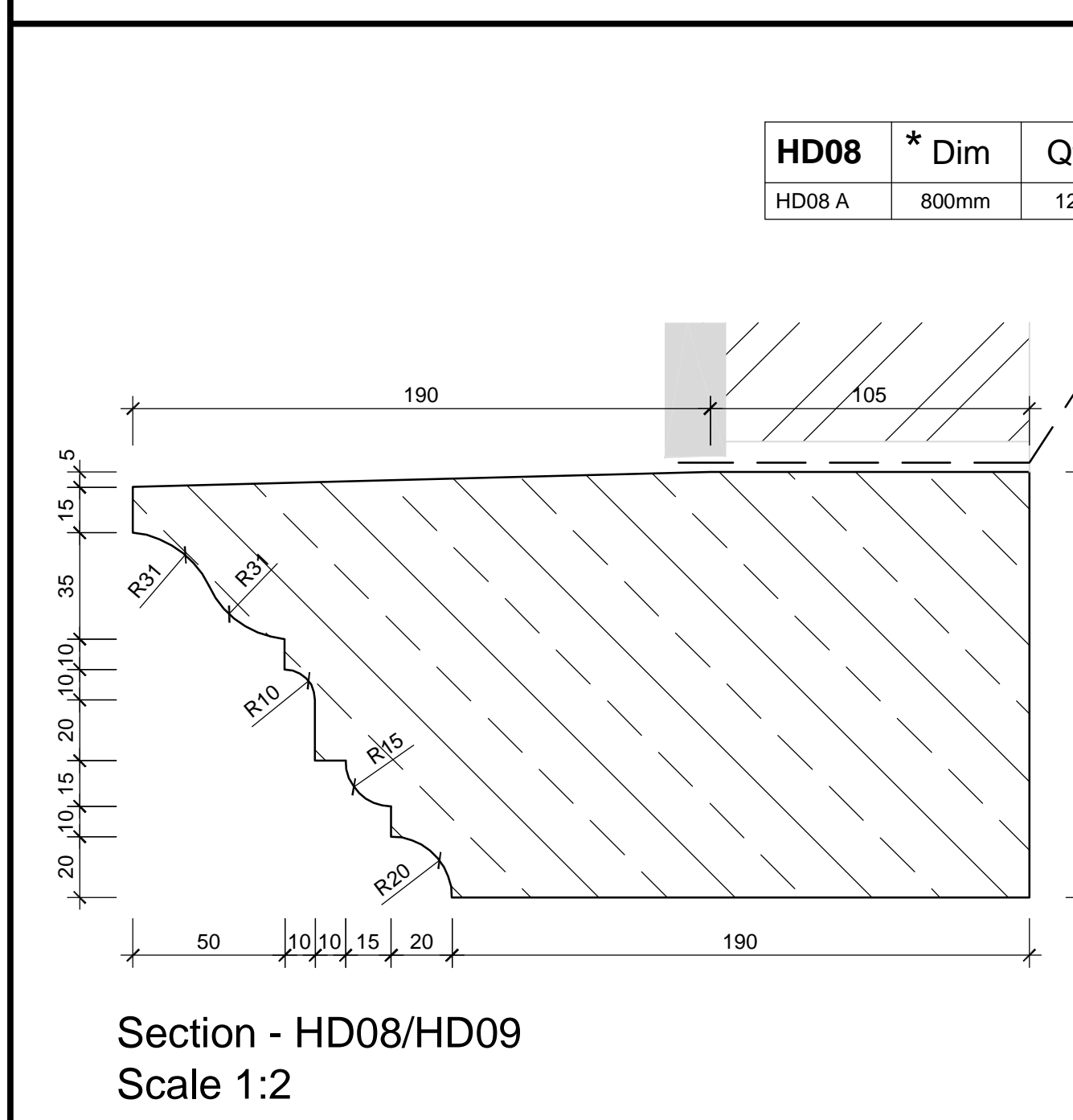
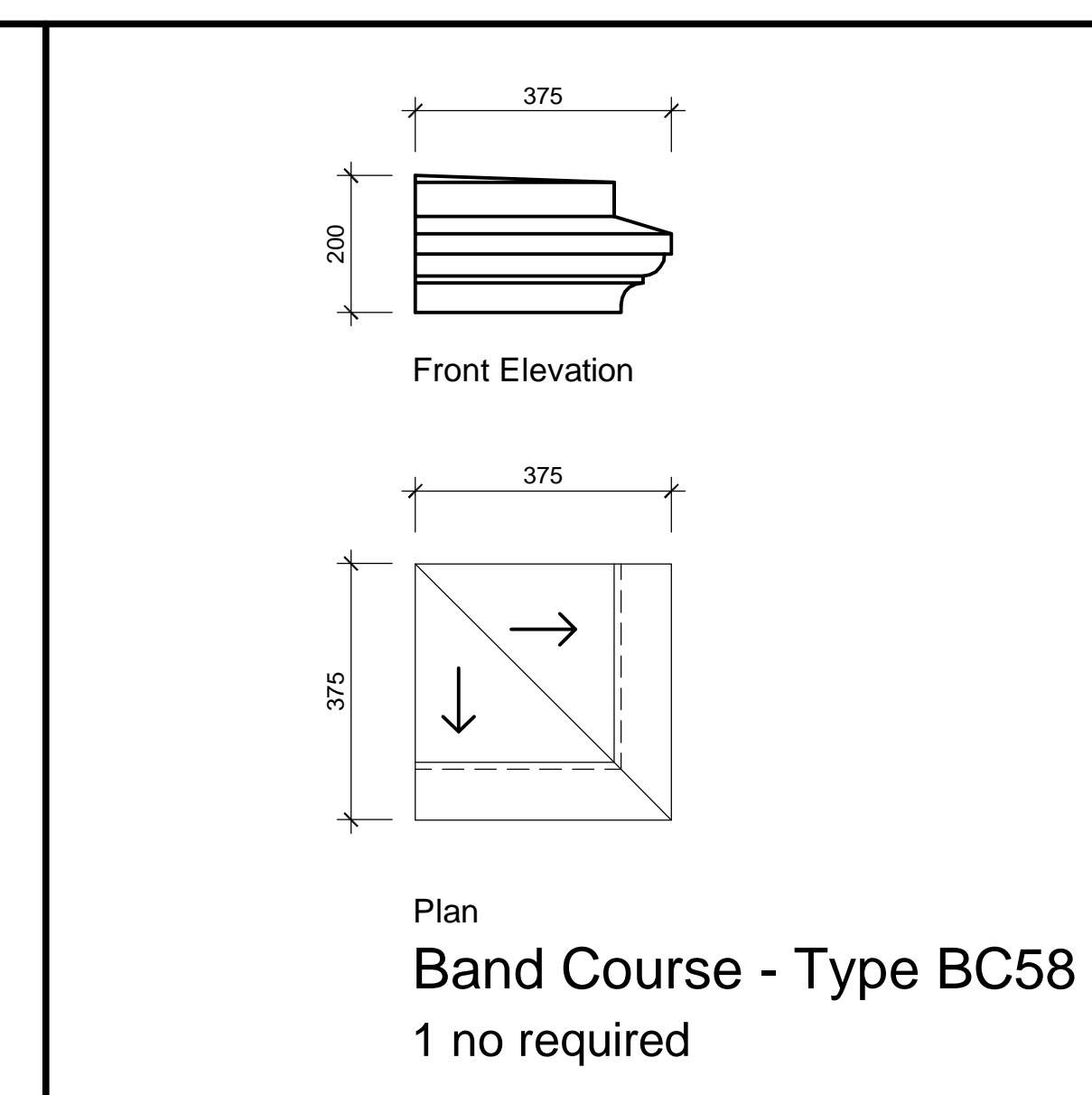
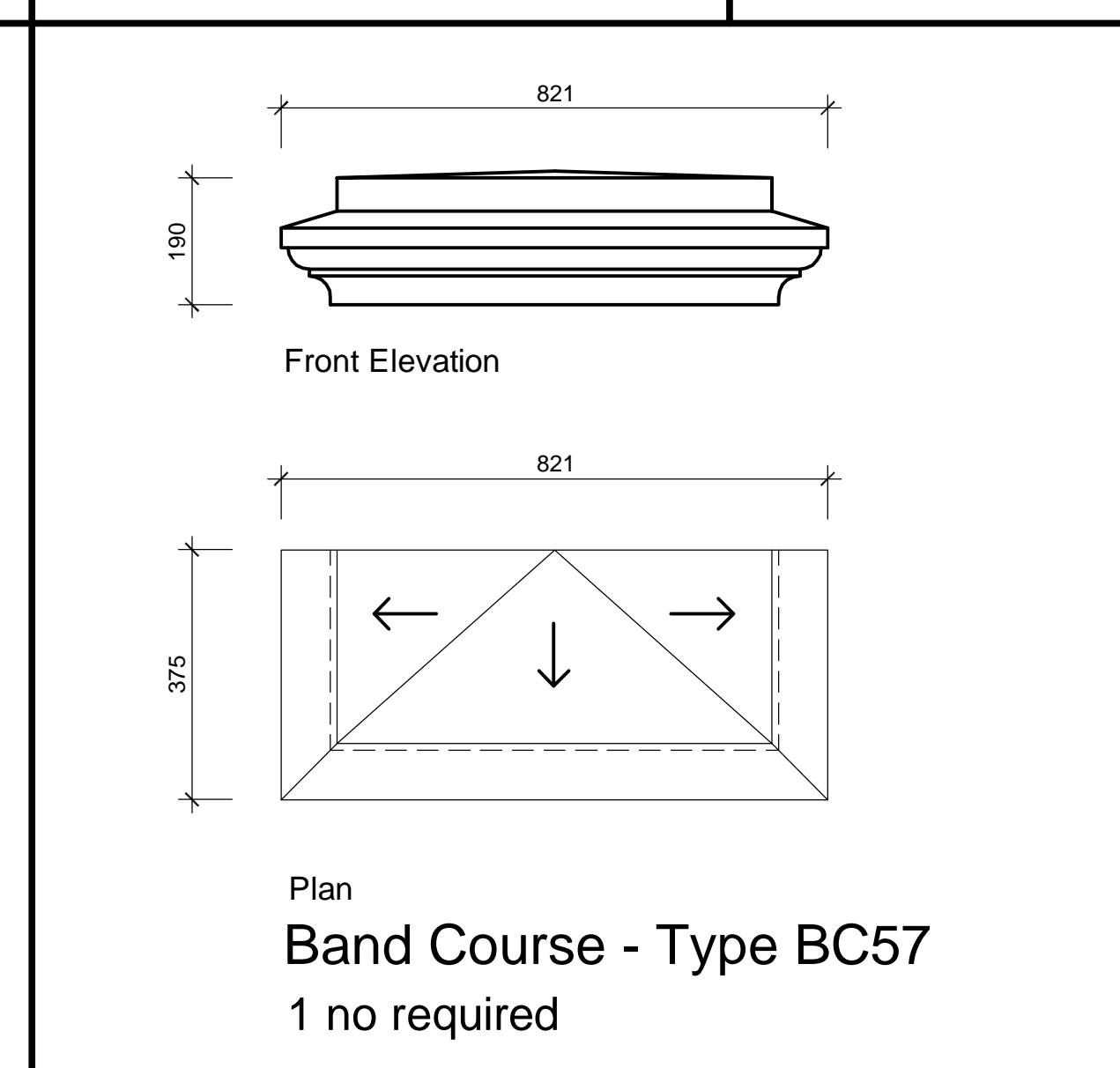
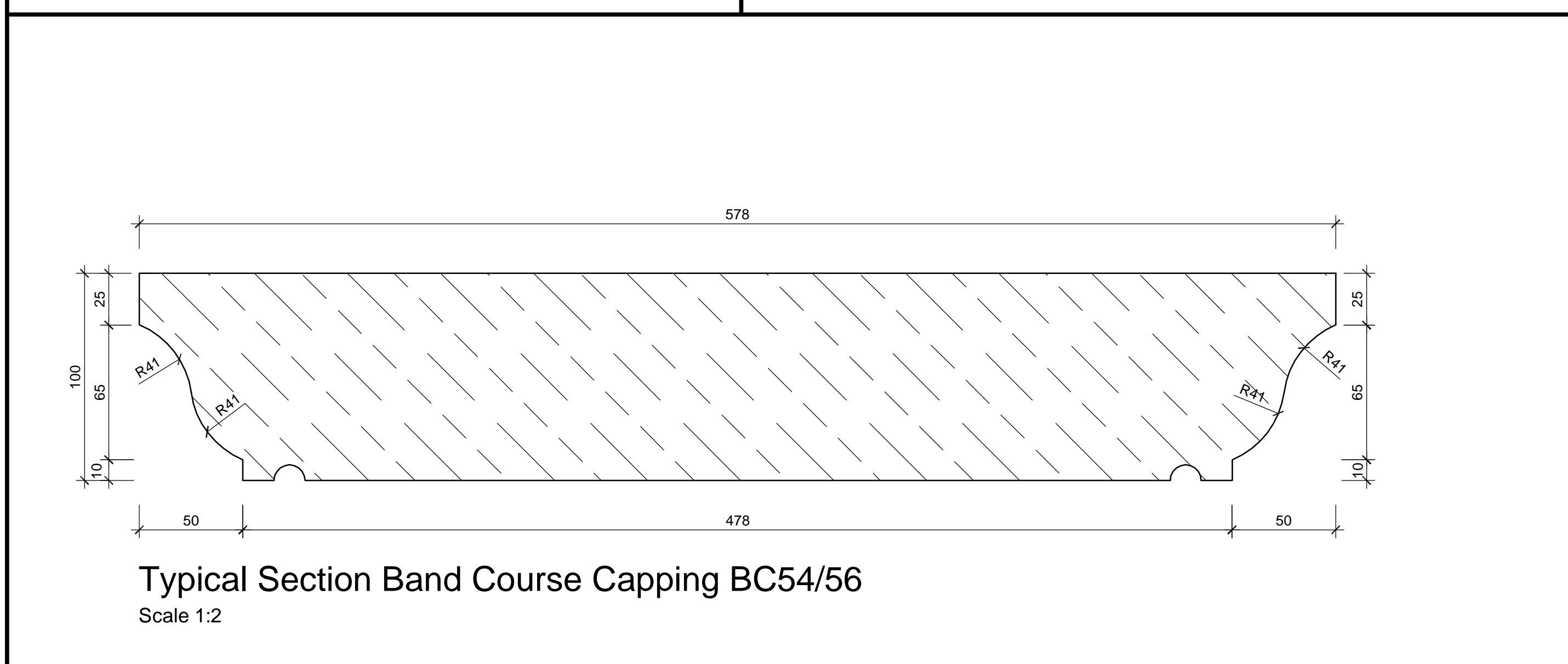
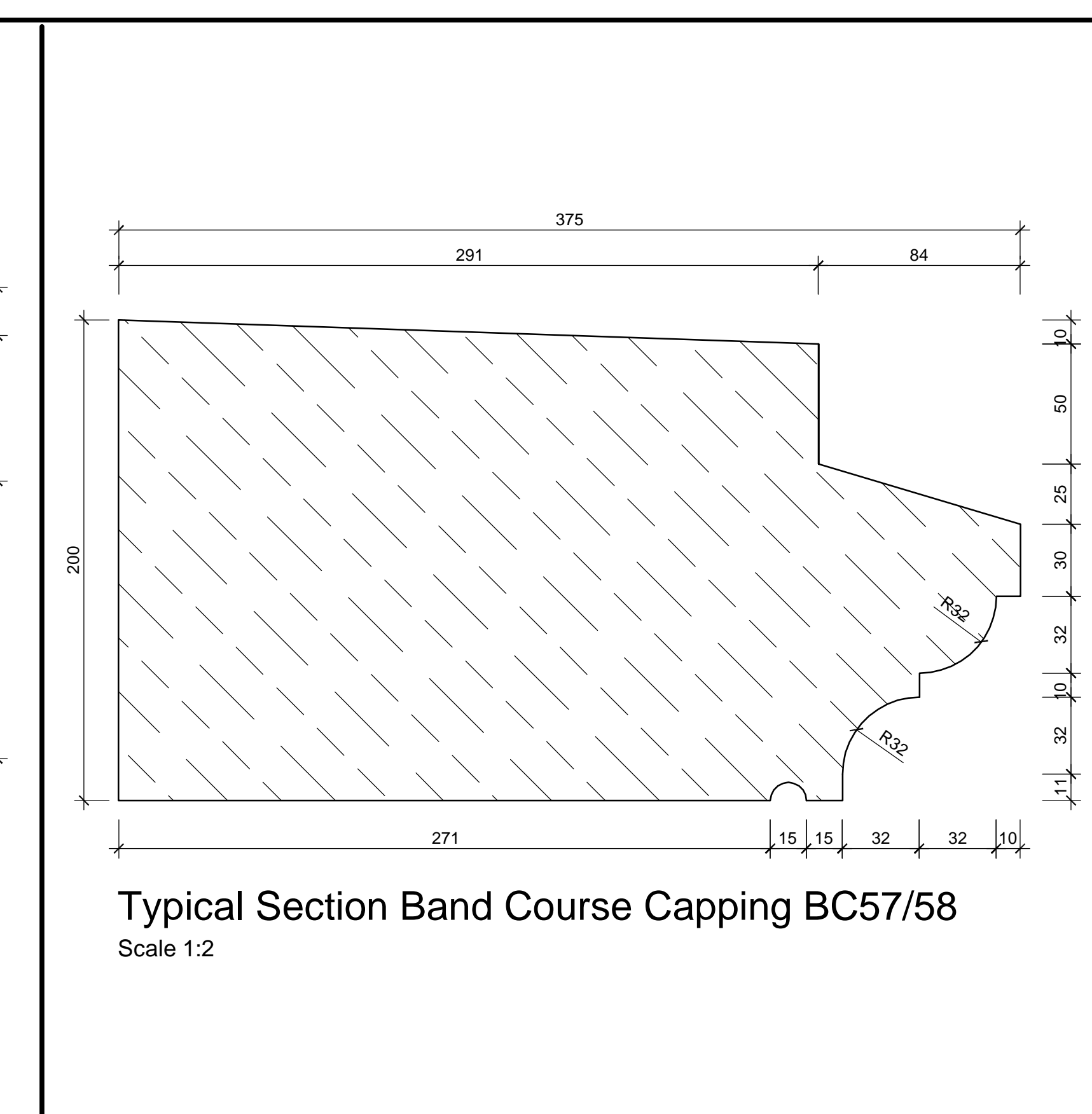
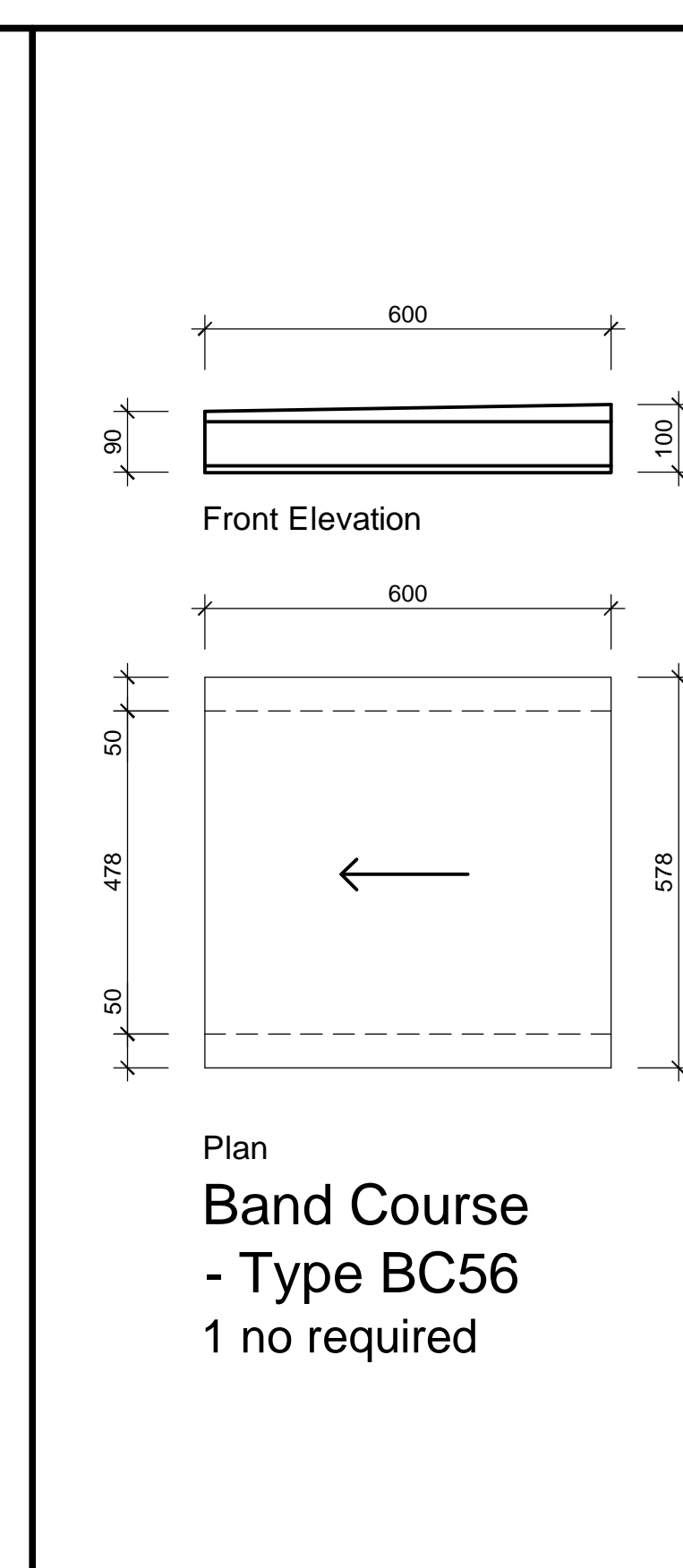
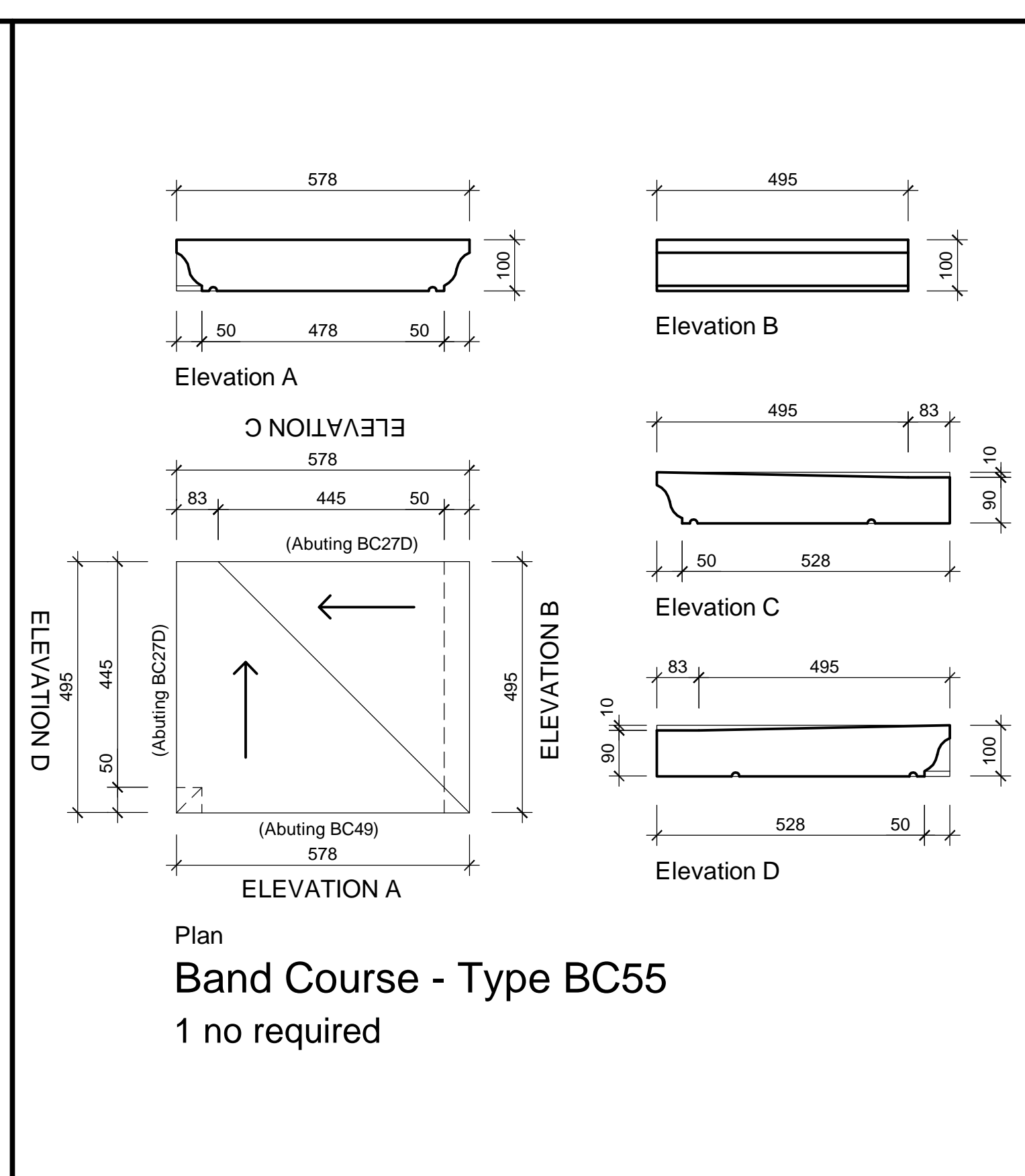
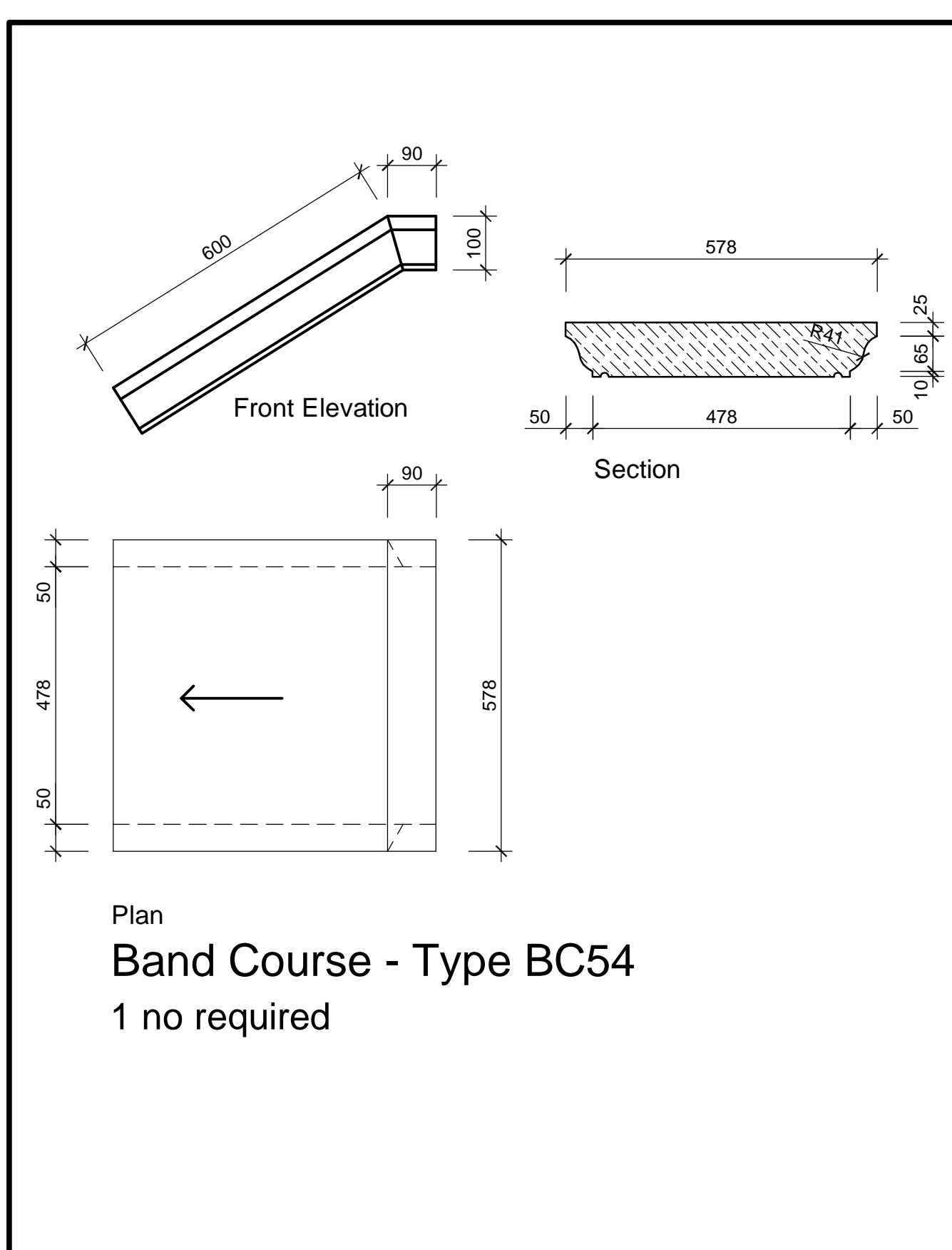


Octagon Developments Limited
Weir House Hurst Road
East Molesey Surrey KT8 9AQ
T: +44 (0) 208 481 7500
F: +44 (0) 208 481 7501
E: Octagon@Octdev.co.uk
W: www.Octdev.co.uk

Project
Overbye, St Georges Hill

Title
**Stone Details
Band Course Details**

Status		
Construction		
Scale	Drawn	Date
1:10	sh	Dec. '13
Job number	Drawing number	Revision
0623	6018	B



HD08	* Dim	Qty.	Win. Ref.
HD08 A	800mm	12 no.	Surround J

HD09	* Dim	** Dim	Qty.	Win. Ref.
HD09 A	615mm	747mm	2 no.	Surround J
HD09 A (h)	615mm	747mm	2 no.	Surround J