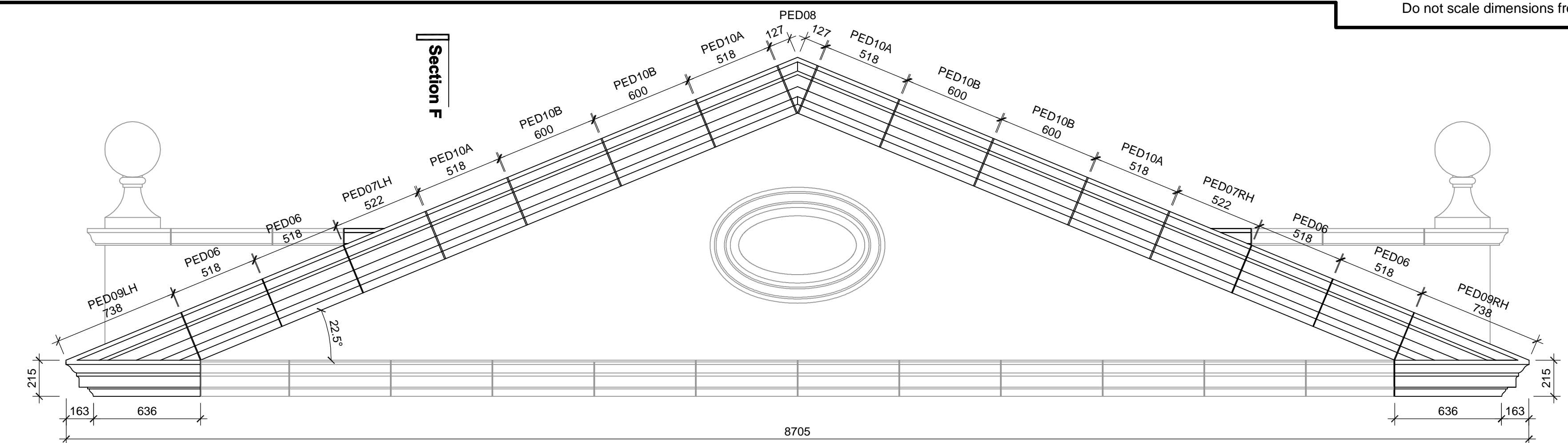
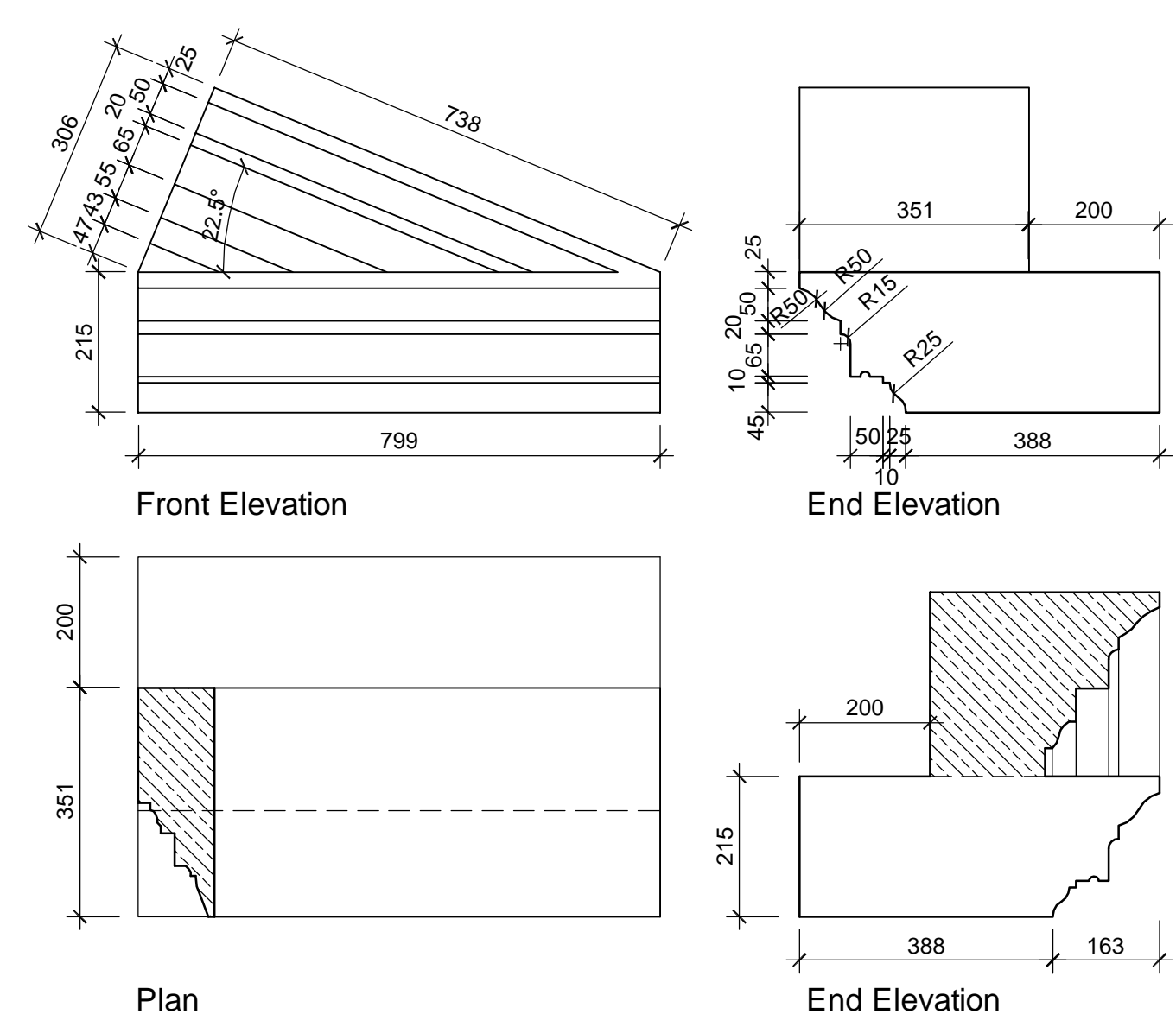


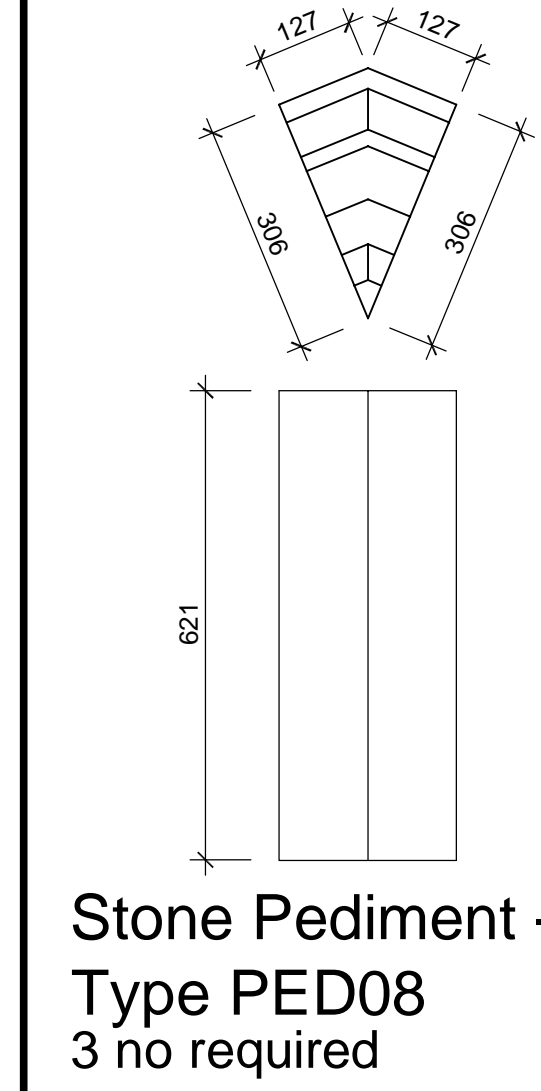
**Stone Pediment B** 2 No. Required



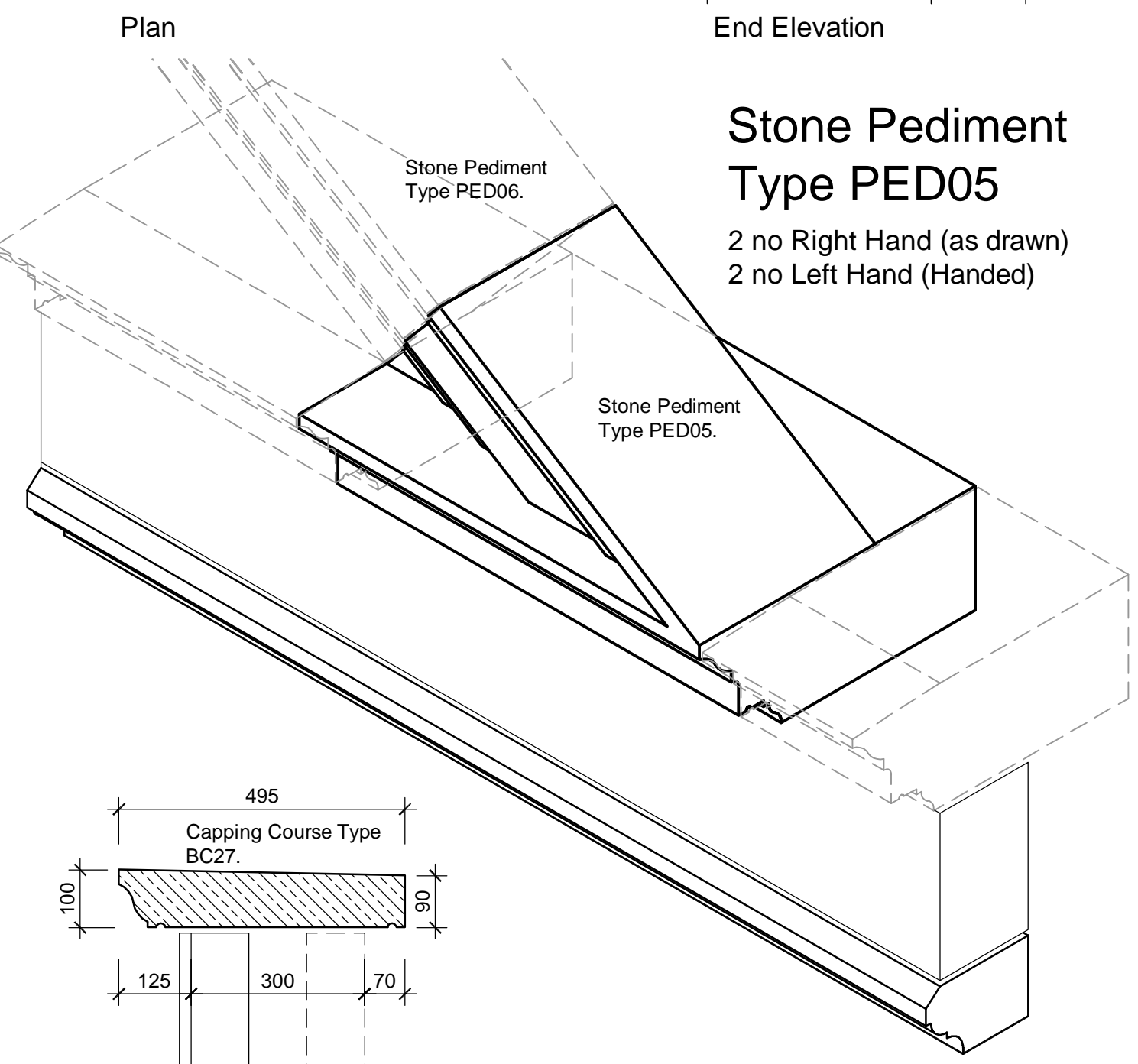
**Stone Pediment C** 1 No. Required



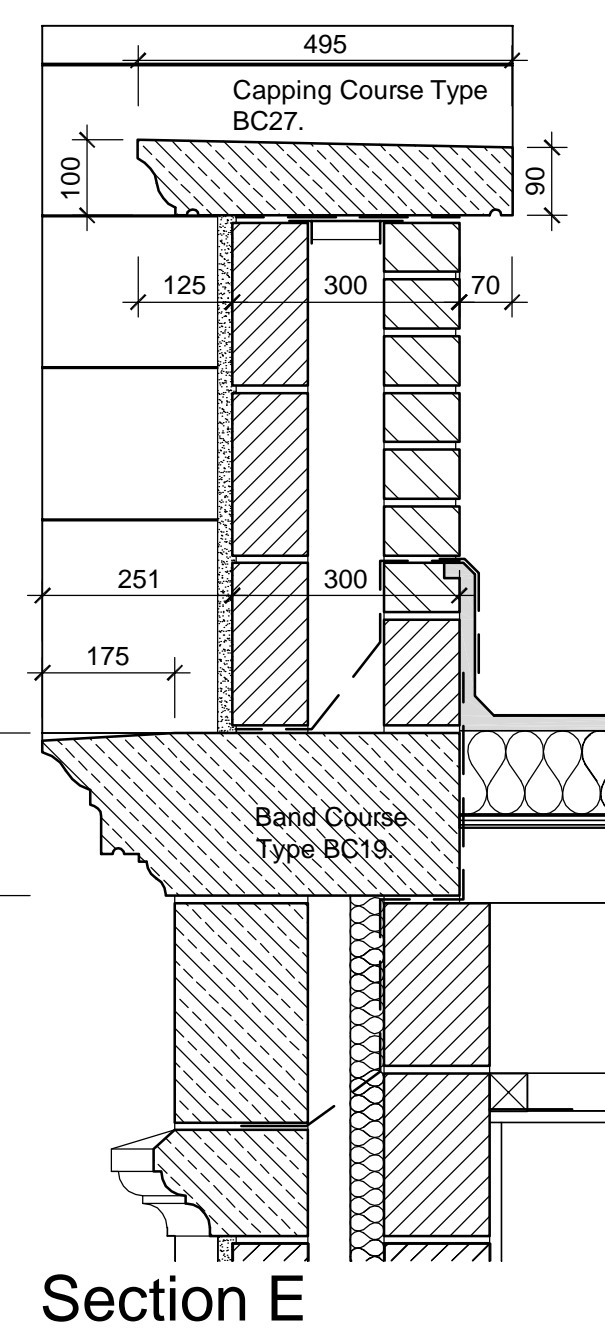
**Stone Pediment Type PED05**  
2 no Right Hand (as drawn)  
2 no Left Hand (Handed)



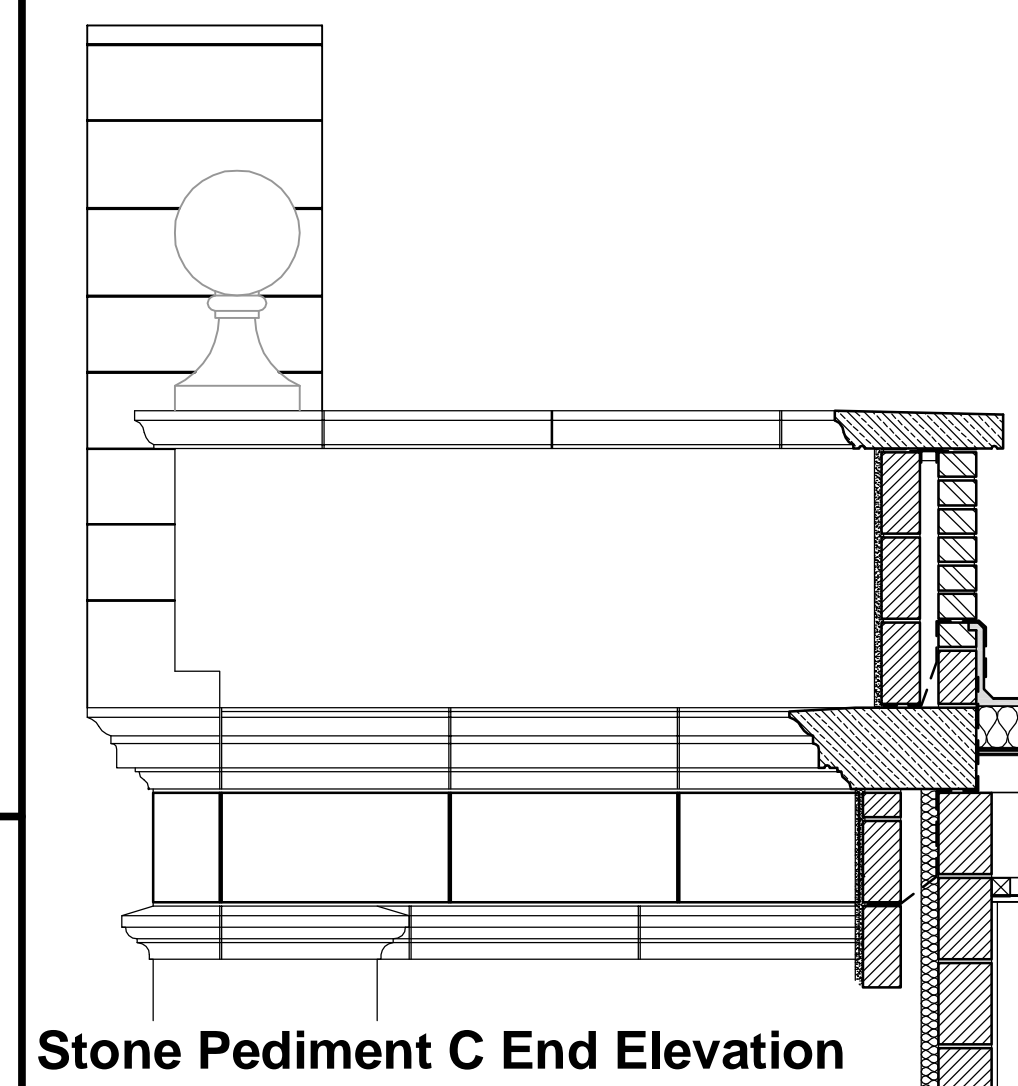
**Stone Pediment - Type PED08**  
3 no required



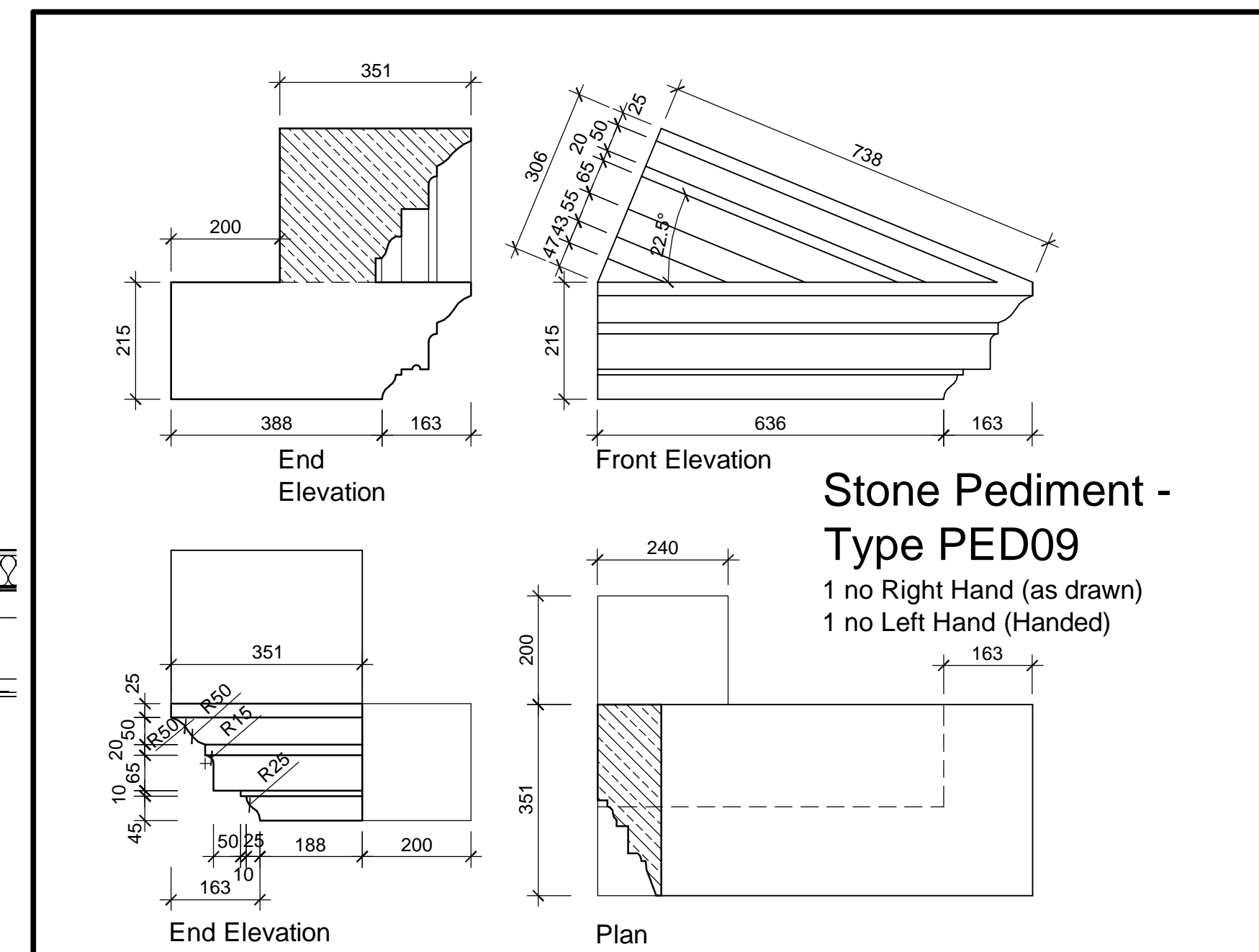
**Stone Pediment - Type PED06**  
12 no required



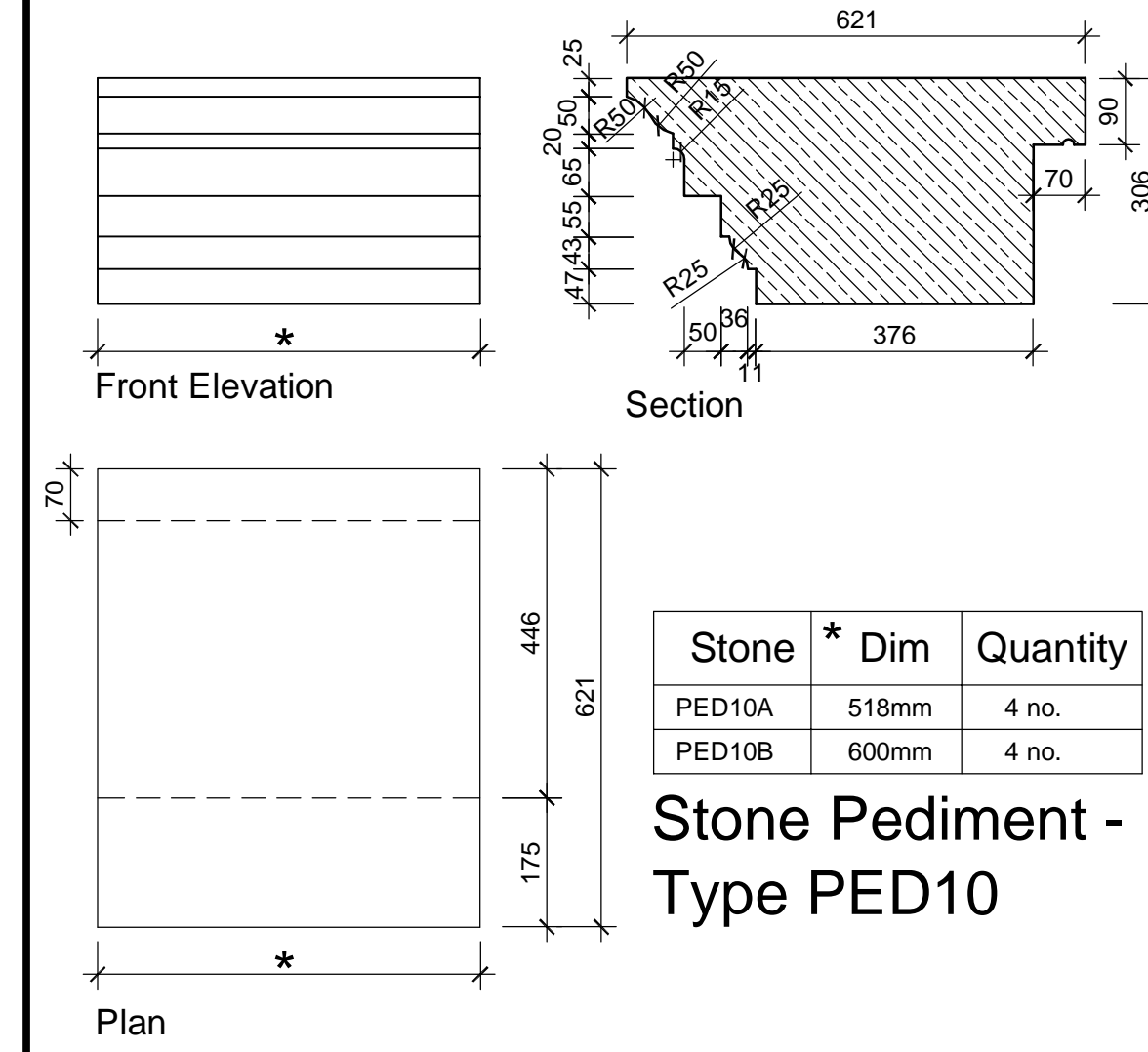
**Section E**



**Stone Pediment C End Elevation**

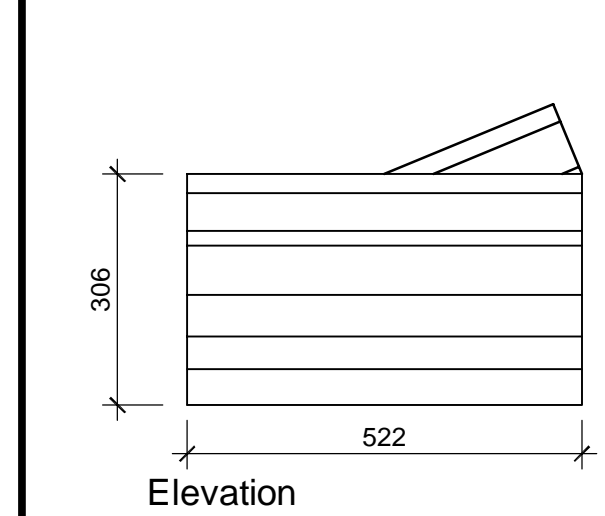


**Stone Pediment - Type PED09**  
1 no Right Hand (as drawn)  
1 no Left Hand (Handed)

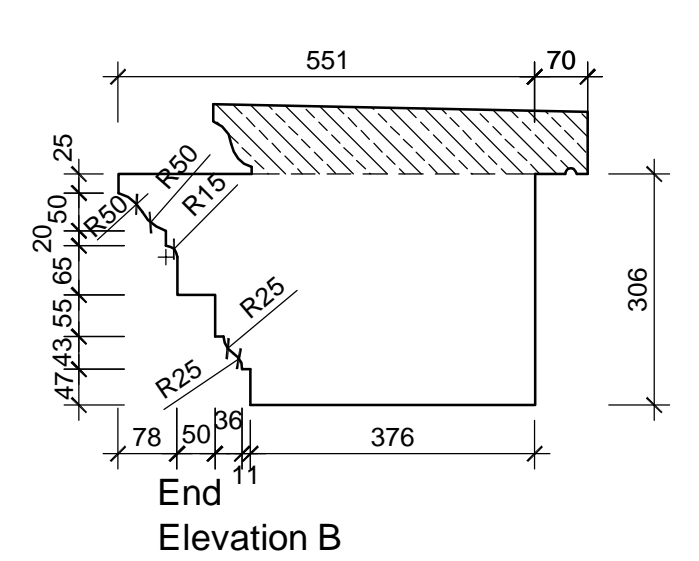


Stone	* Dim	Quantity
PED10A	518mm	4 no.
PED10B	600mm	4 no.

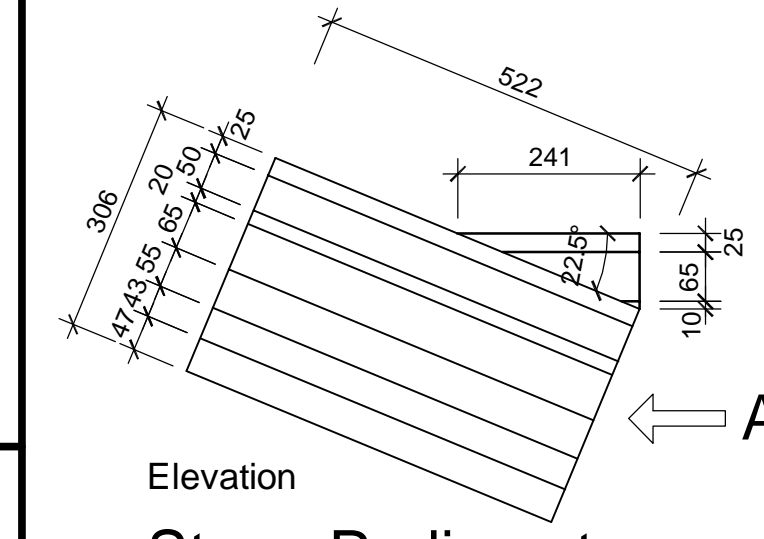
**Stone Pediment - Type PED10**



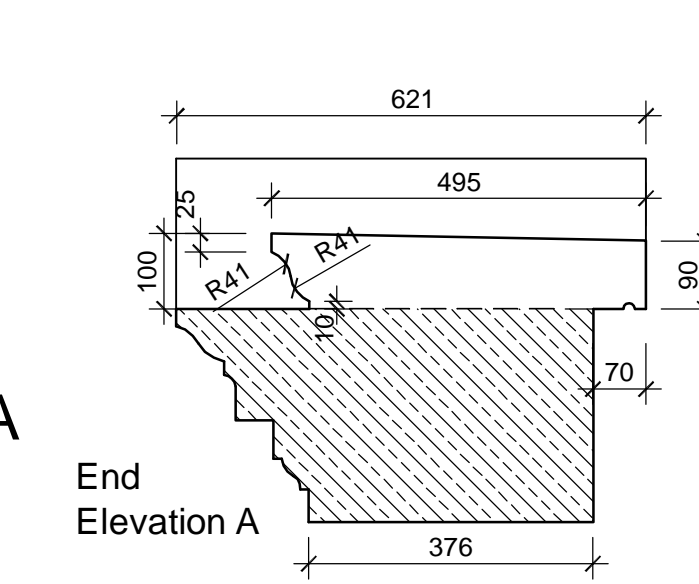
**Elevation**



**End Elevation B**

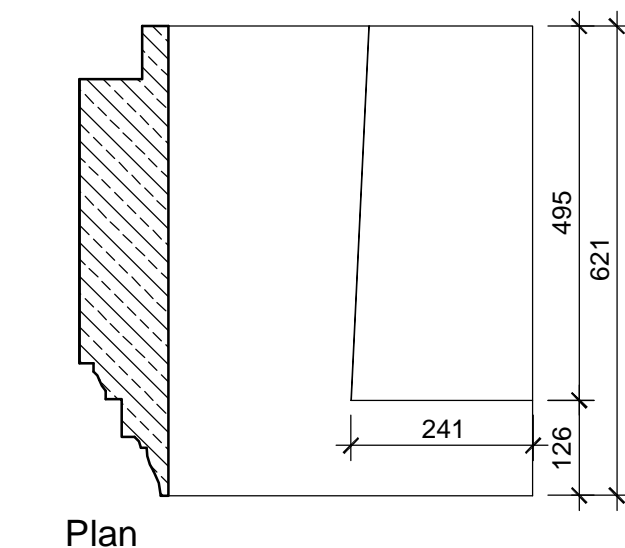


**Elevation**

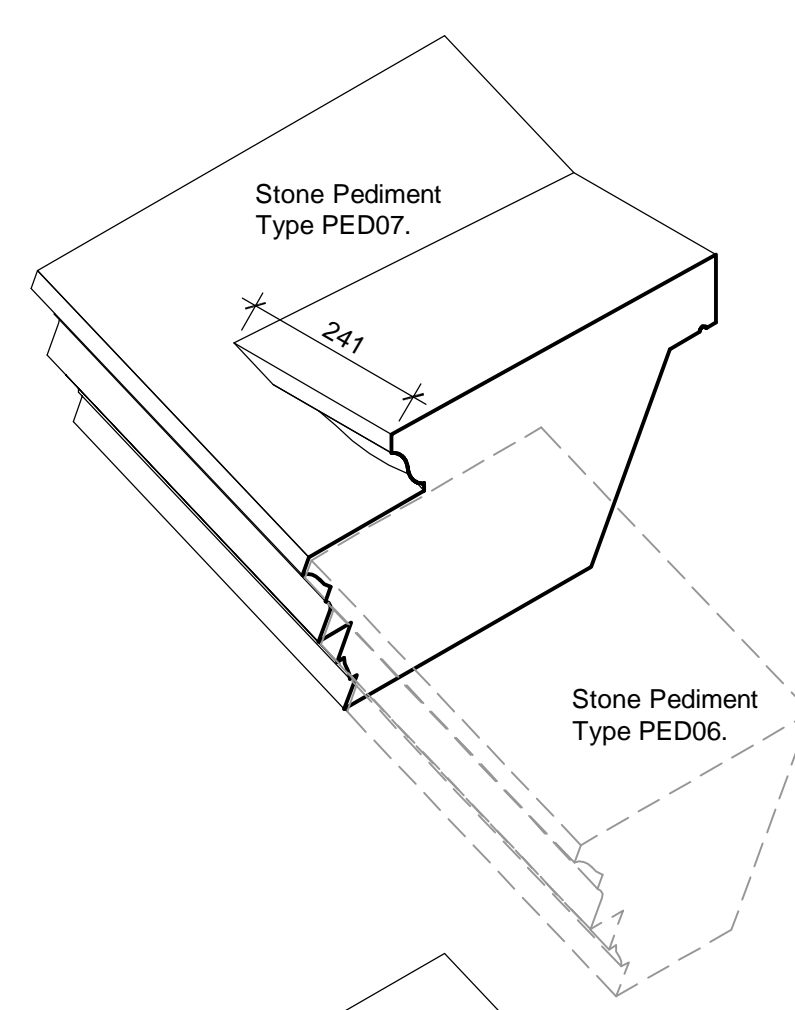


**End Elevation A**

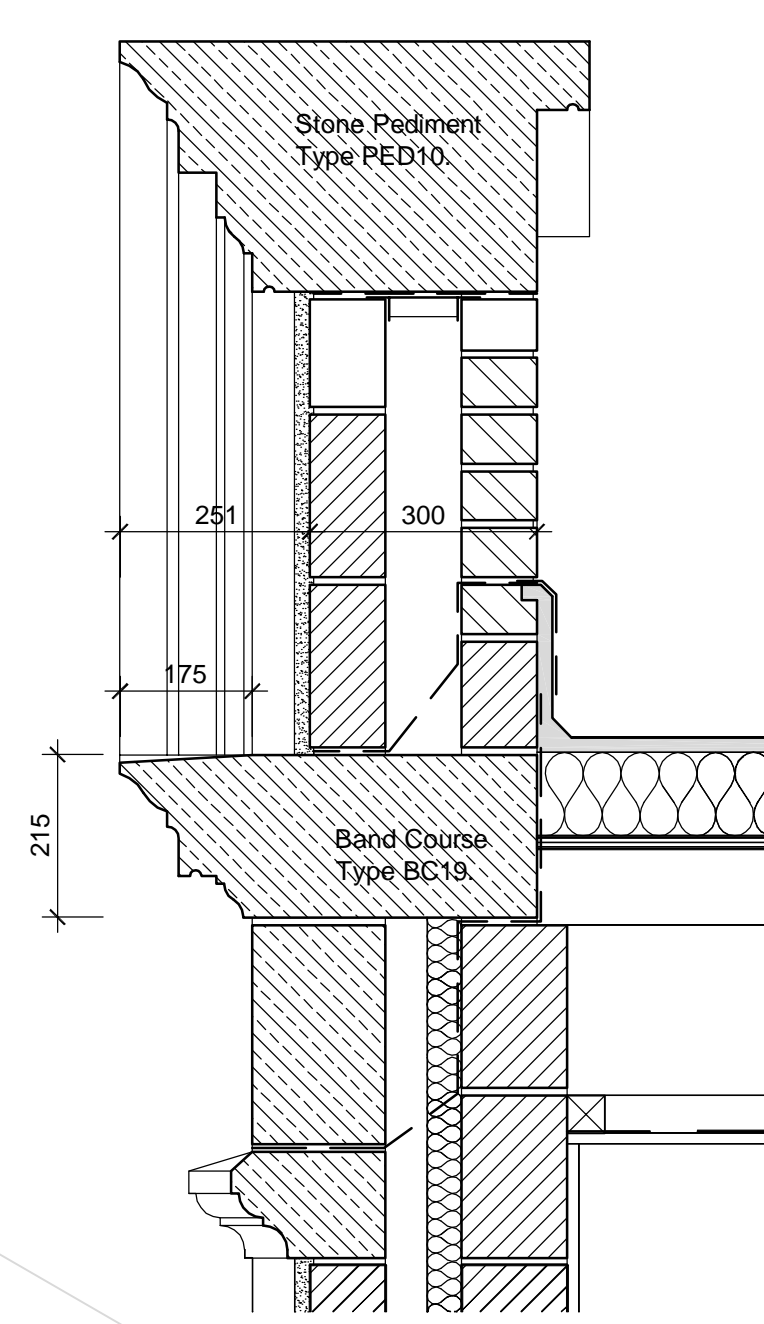
**Stone Pediment - Type PED07**  
3 no Right Hand (as drawn)  
3 no Left Hand (Handed)



**Plan**



**Stone Pediment Type PED07.**



**Section F**

Stone manufacturer to design & detail all units & provide all structural reinforcement to all stone units shown on this drawing which are all load bearing members.

Revision	Date
B PED05 & PED09 amended.	07.01.14
A Construction Issue.	12.07.13



Octagon Developments Limited  
Weir House Hurst Road  
East Molesey Surrey KT8 9AQ  
T: +44 (0) 208 481 7500  
F: +44 (0) 208 481 7501  
E: Octagon@Octdev.co.uk  
W: www.Octdev.co.uk

Project  
**Overbye, St Georges Hill**  
Title  
**Stone Details**  
**Stone Pediment**  
**Type B & C**

Status	Drawn	Date
Construction	sh	Jun. '13
Scale	1:50	Job number
0623	6016	B