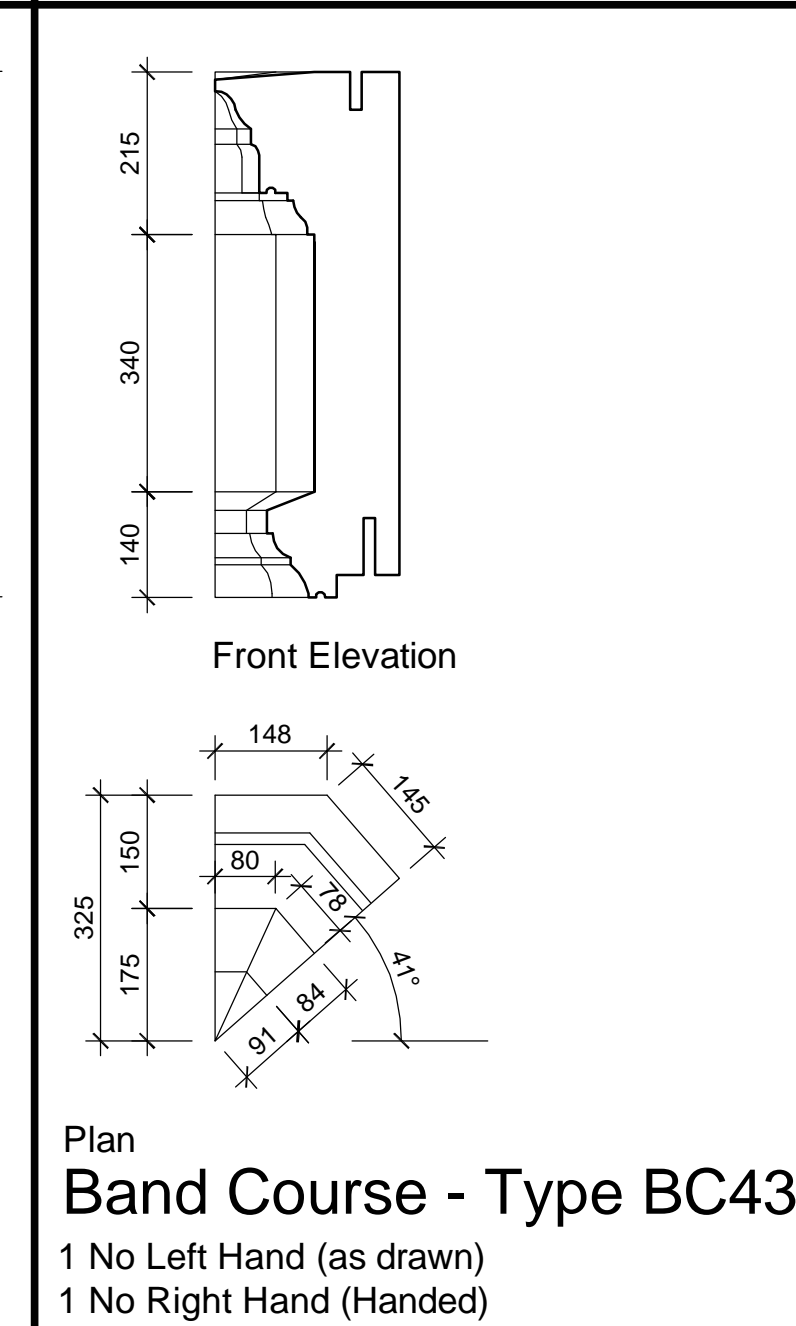
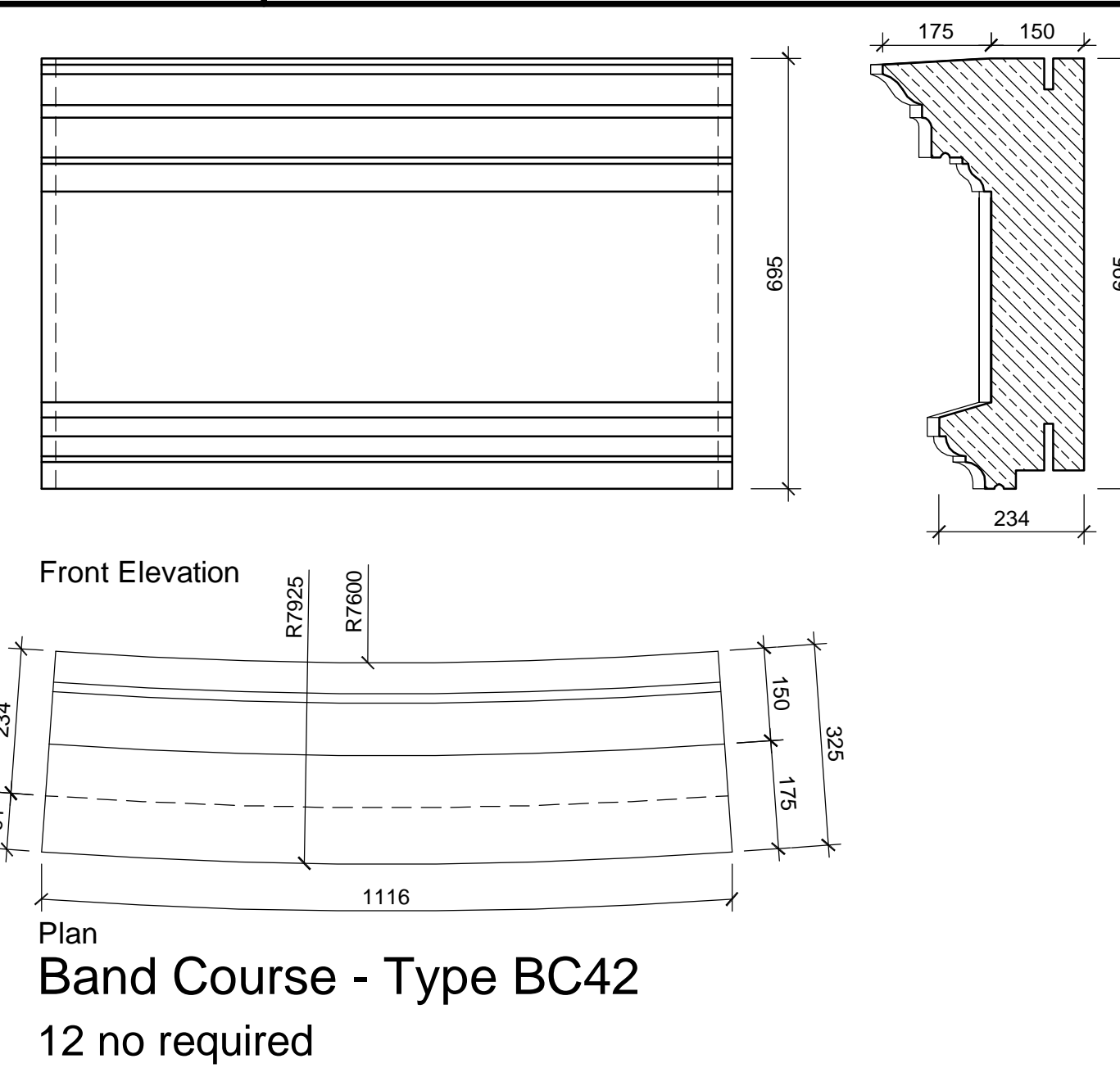
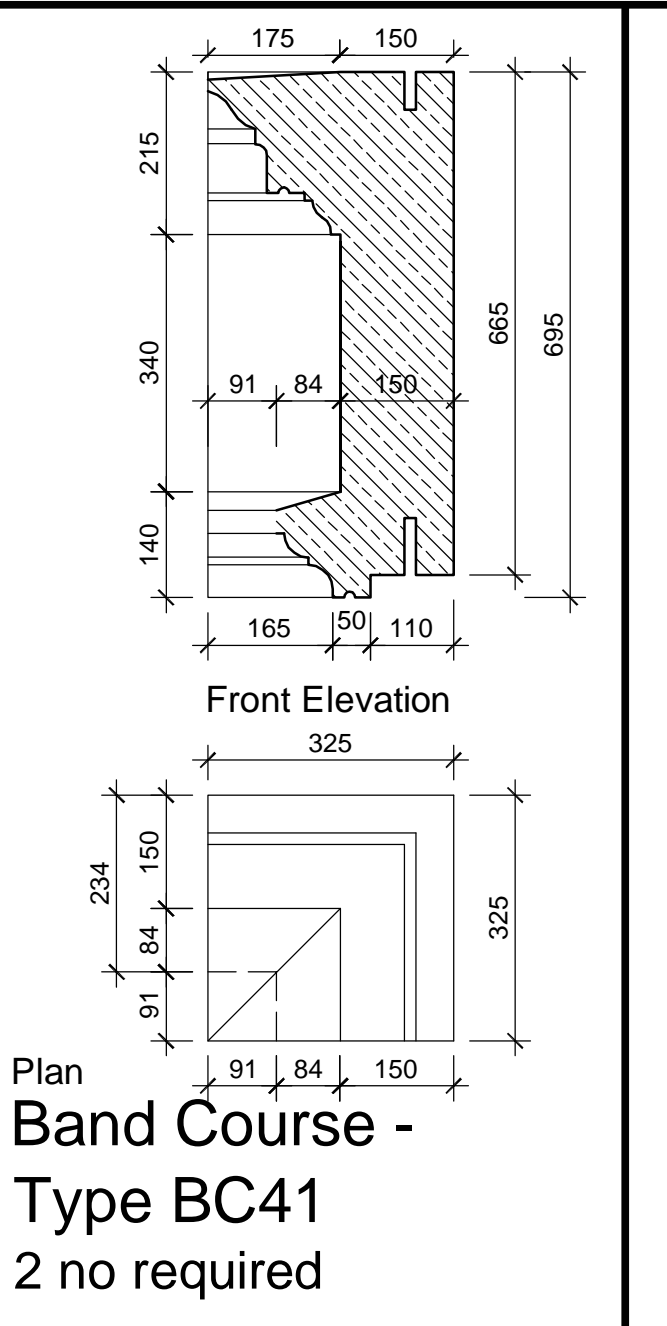
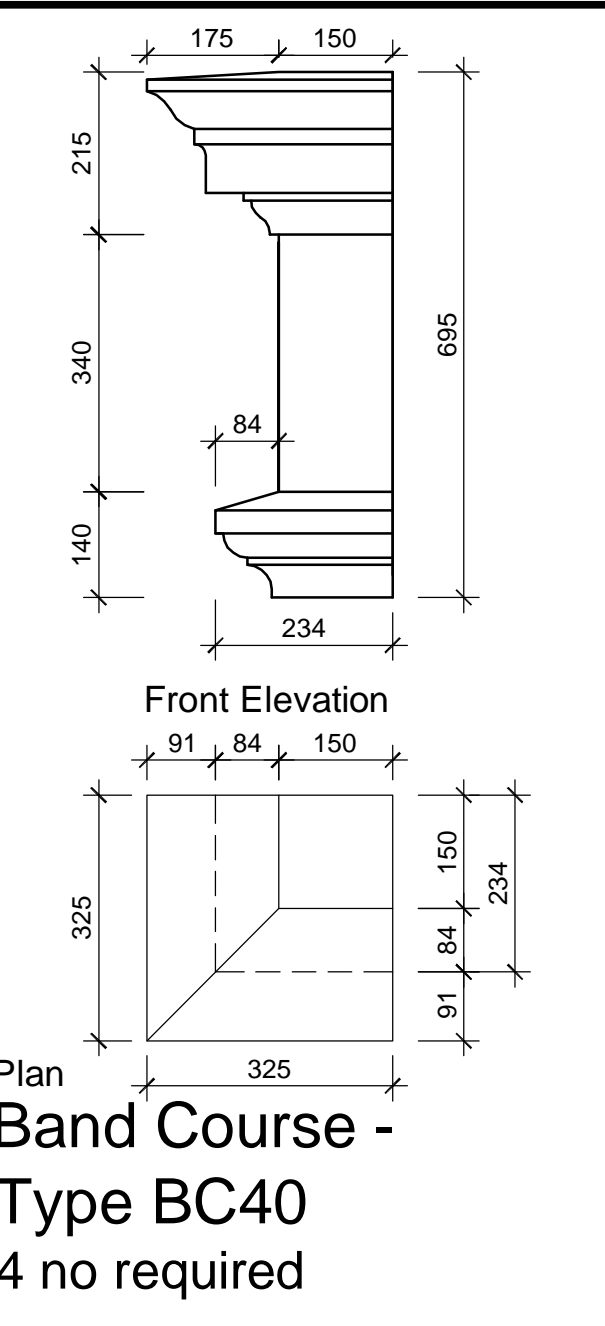
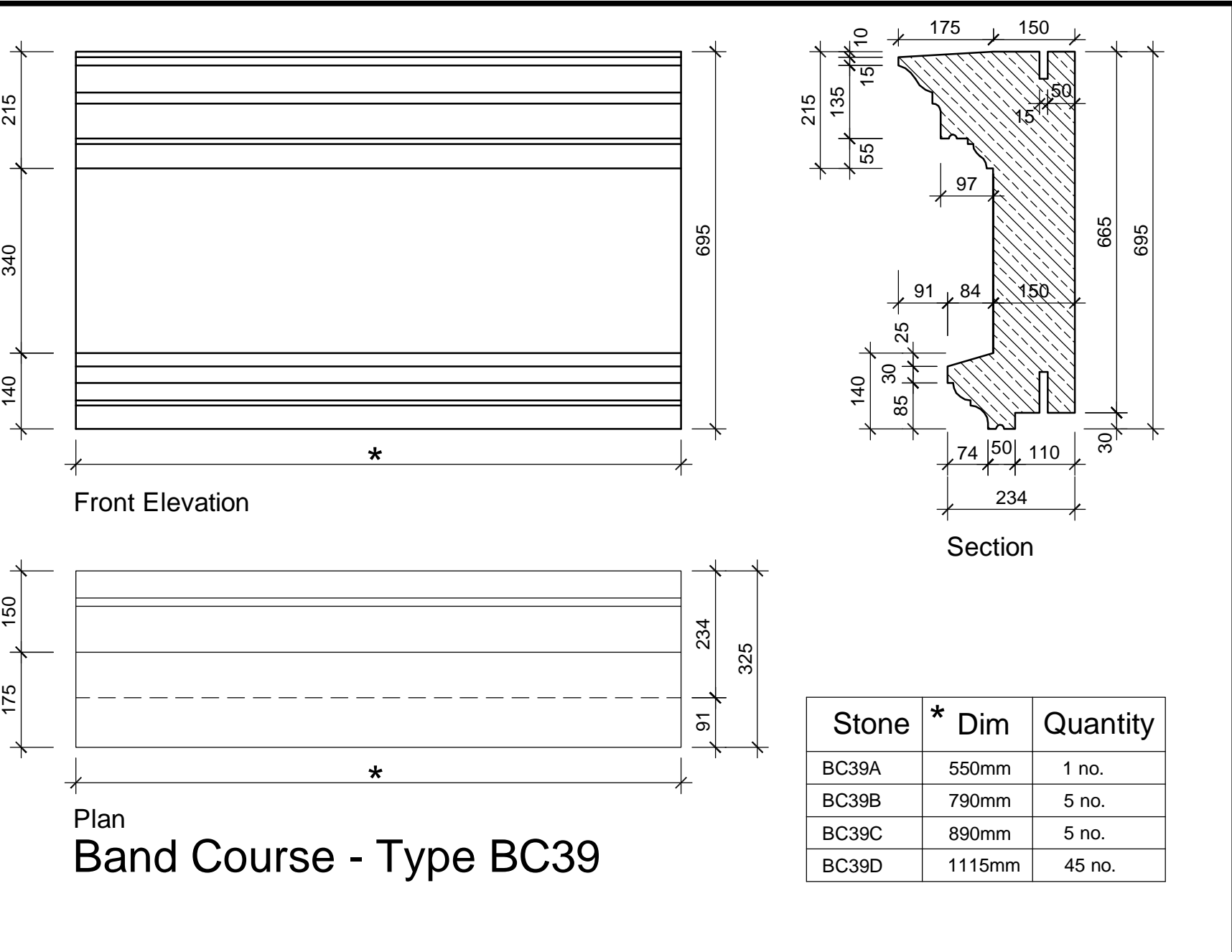
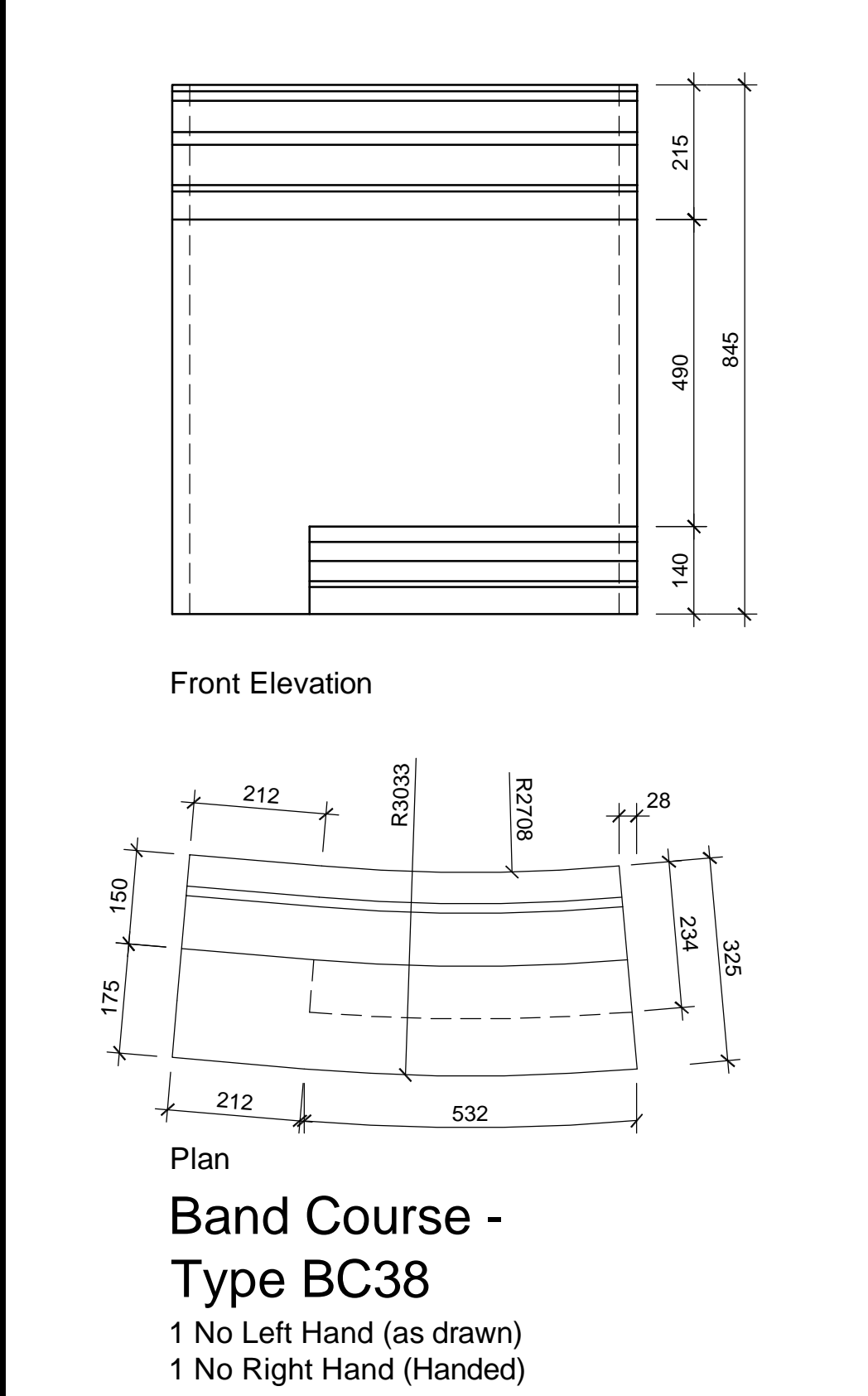
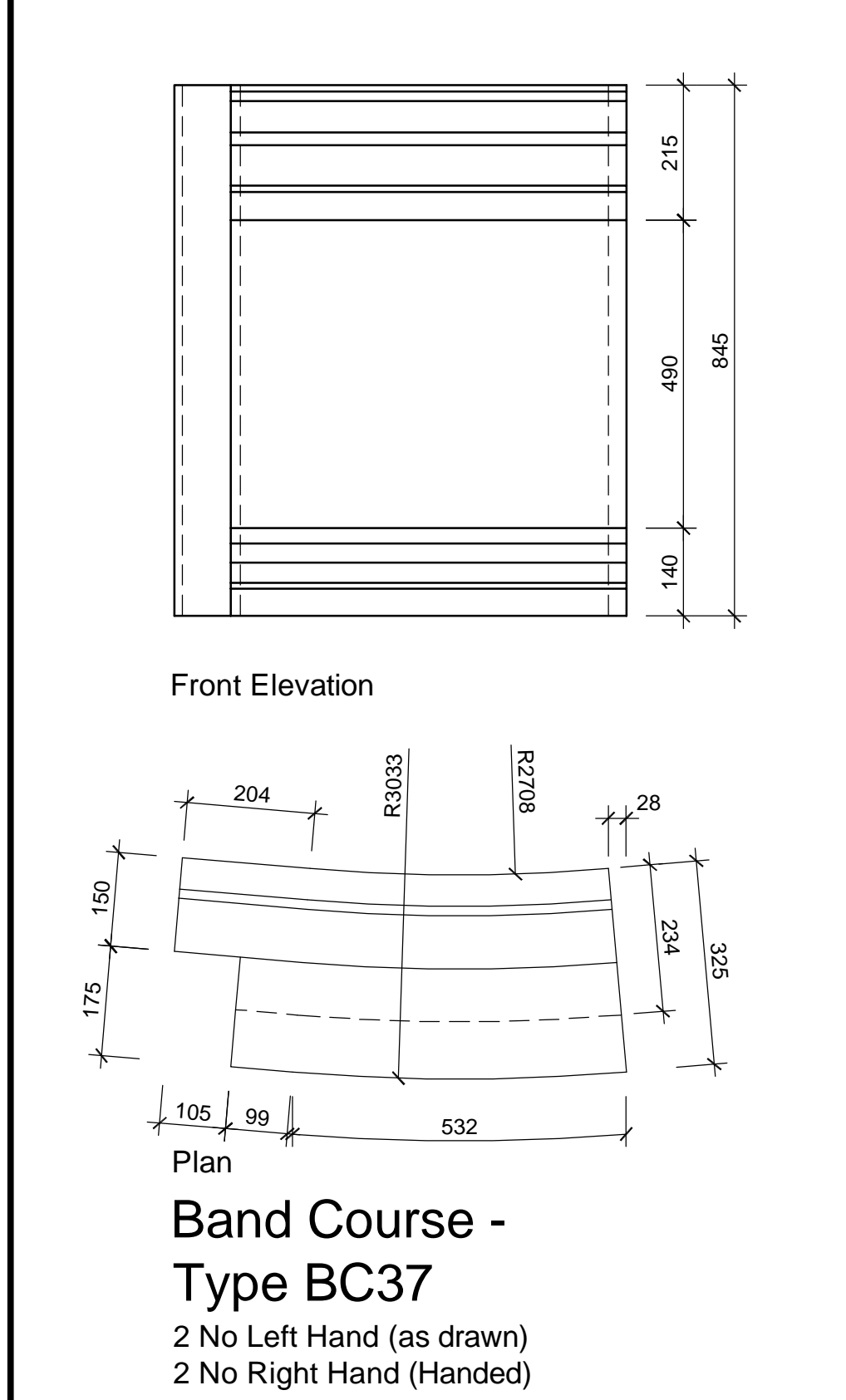
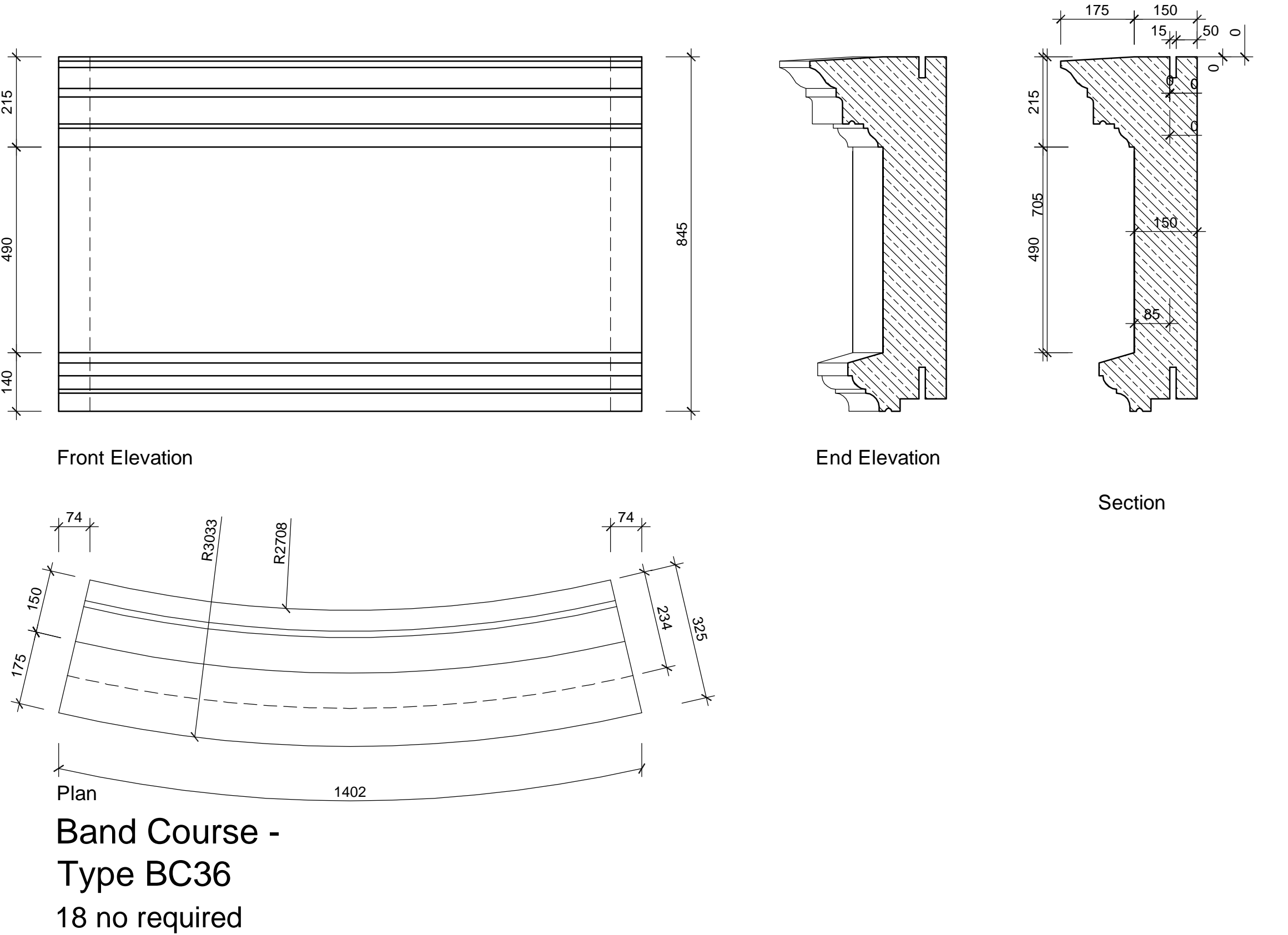


- Notes**
- All quantities shown are actual quantities required for each plot. Any excess (for breakage etc.) should be allowed for by the surveyor.
 - All stone components are to be smooth PORTLAND STONE finish.
 - All components over 25kg are to have recessed lifting eye sockets cast in.
 - Any reinforcement deemed necessary by the supplier for safe handling and transportation is to be included.
 - Details indicated allow for manufacturing in wet cast acid etched concrete. Details and unit sizes will vary if dry cast is selected.
 - Minimum reinforcement for structural members is noted on these drawings. Supplier to provide all other necessary reinforcement in accordance with normal standard / good practice.
 - Reinforcement must be provided with 40mm concrete cover. Where ever this cannot be achieved the supplier will be required to use stainless steel reinforcement.
 - Supplier will be required to determine both quantities and provide bar bending schedules for reinforcement as necessary - all for suppliers own use.
 - Lapped joints in reinforcement bars for stonework concrete will **not** be permitted.
 - Concrete strength for all structural stonework and cavity walls to be 35N/mm² at 28 days with 10mm max. aggregate size.
 - Supplier to incorporate and supply all necessary fixings in accordance with normal standard / good practice, for all stonework / concrete members. (e.g. dowels, straps, ties, support brackets etc.)

Stone manufacturer to design & detail all units & provide all structural reinforcement to all stone units shown on this drawing which are all load bearing members.



C	BC39A, BC39D, BC40 & BC41 quantities revised.	23.01.14
B	BC38; handling and nwp slot added.	31.10.13
A	Construction Issue.	12.07.13
Revision		Date

OCTACON

Octagon Developments Limited
Weir House Hurst Road
East Molesey Surrey KT8 9AQ
T: +44 (0) 208 481 7500
F: +44 (0) 208 481 7501
E: Octagon@Octdev.co.uk
W: www.Octdev.co.uk

Project
Overbye, St Georges Hill

Title
Stone Details
Band Course Details

Status

Construction		Drawn	Date
Scale	1:10 1:2	sh	Jun. '13
Job number	0623	Drawing number	6013
		Revision	C

© Copyright Octagon Developments Limited