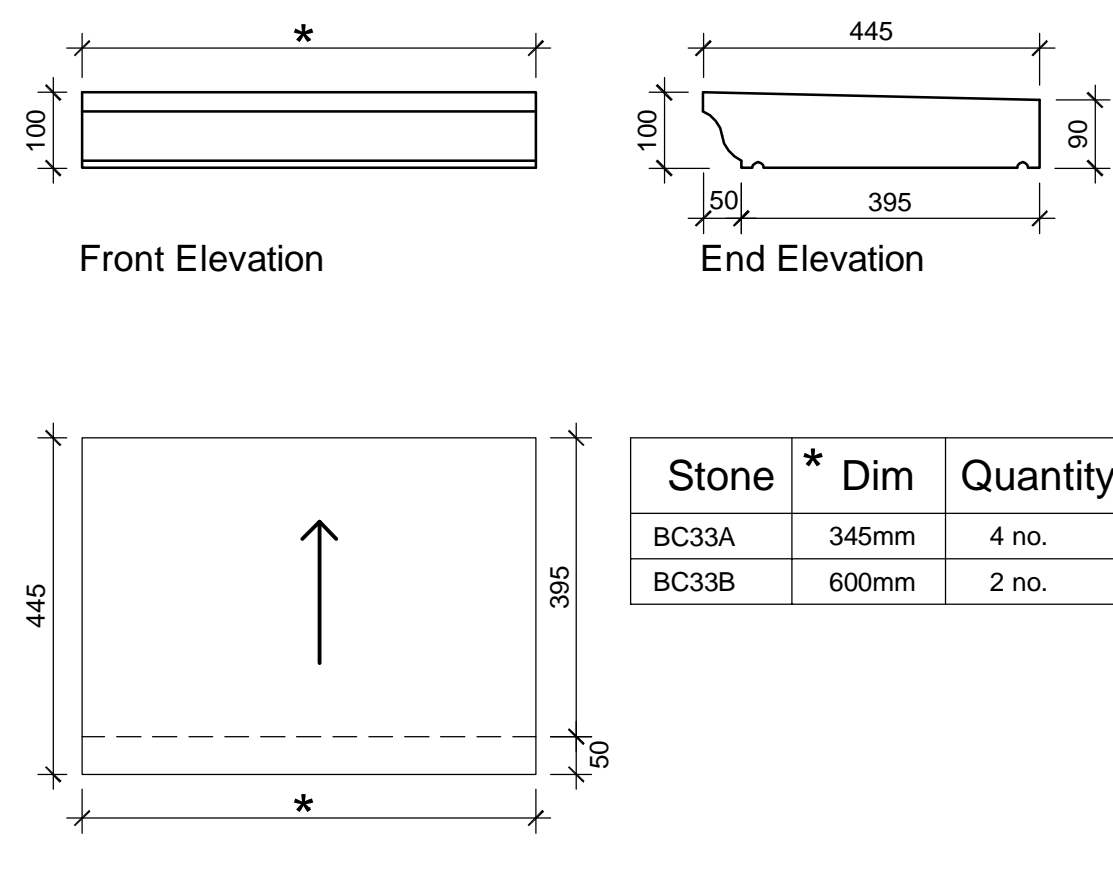


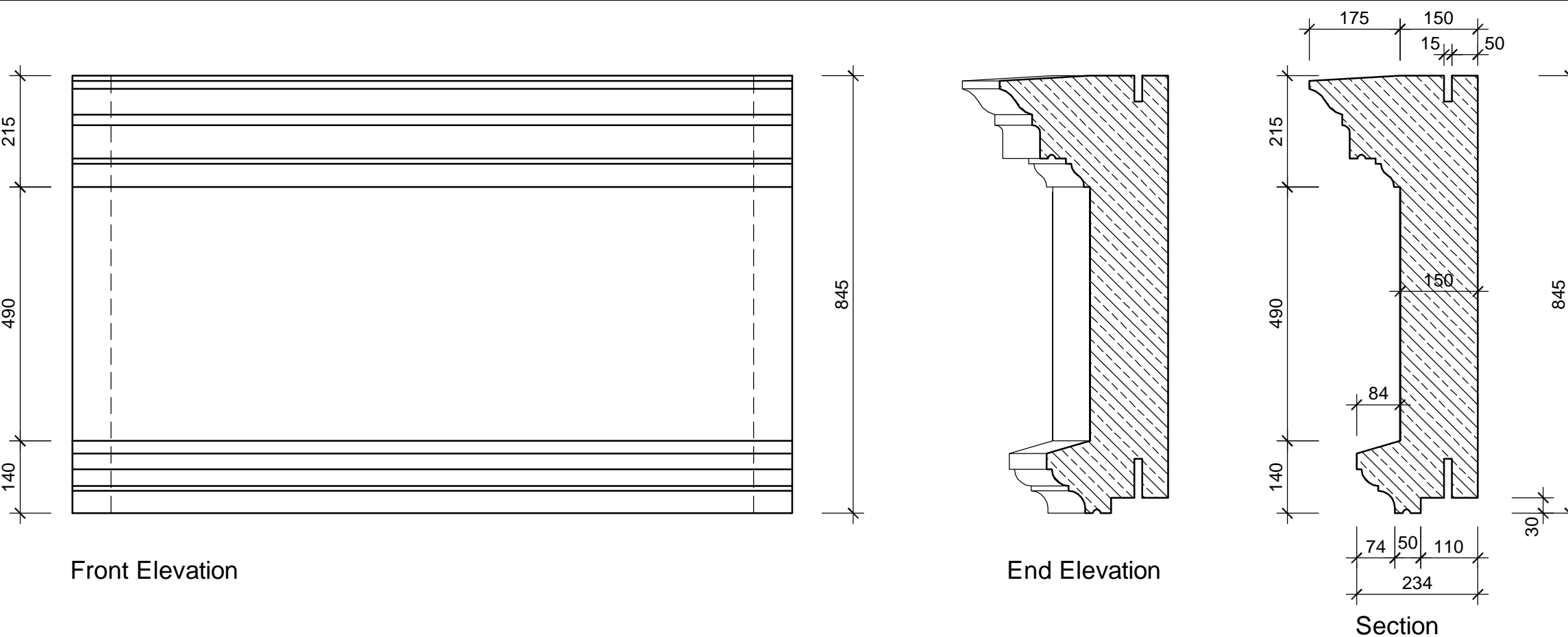
**Band Course - Type BC32**

1 no Left Hand (as drawn)  
1 no Right Hand (Handed)



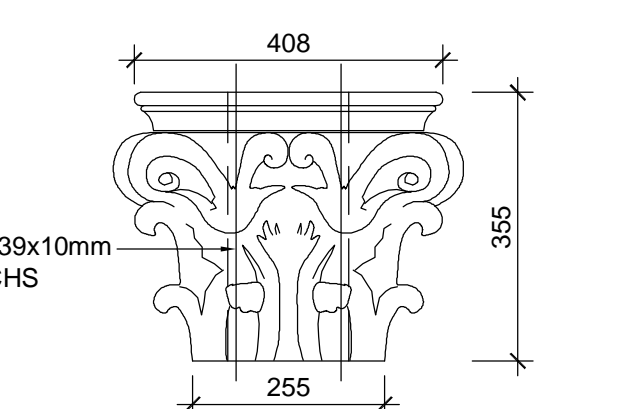
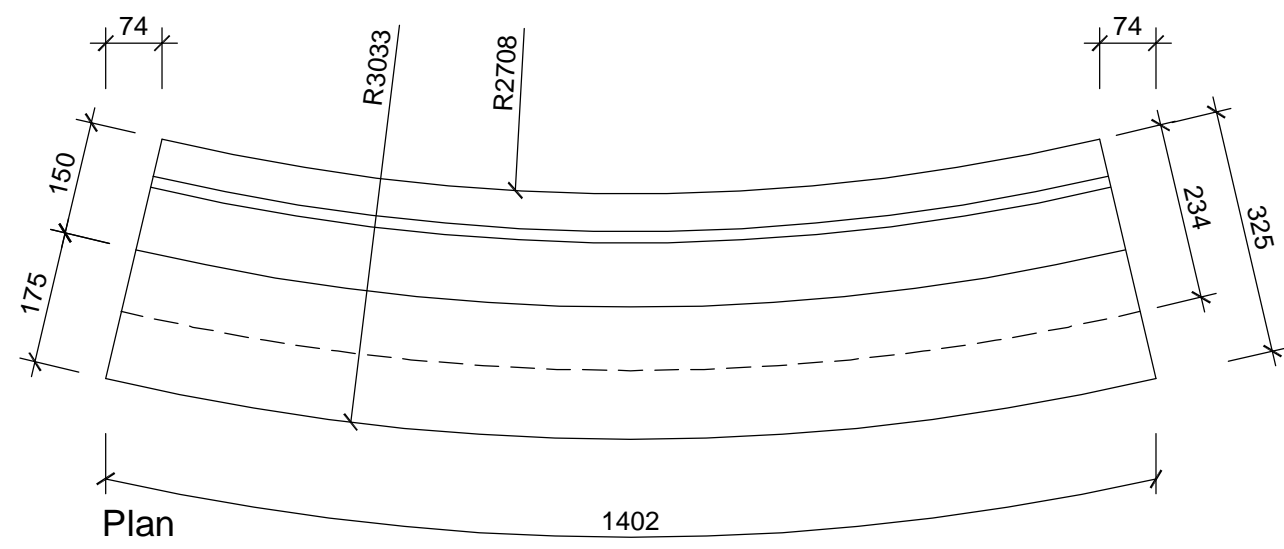
**Band Course - Type BC33**

Stone	* Dim	Quantity
BC33A	345mm	4 no.
BC33B	600mm	2 no.



**Band Course - Type BC36**

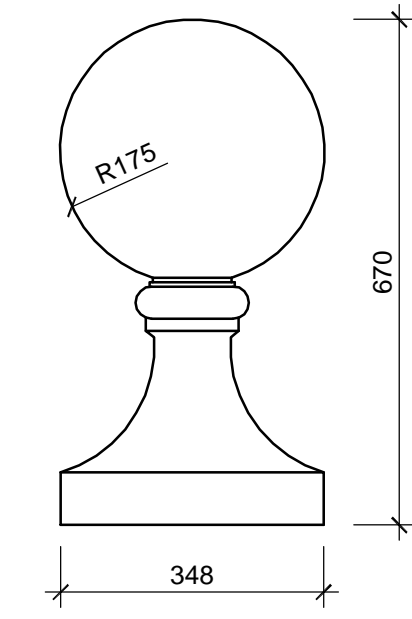
18 no required



**Stone Pier Cap - Type PC01**  
16 No required

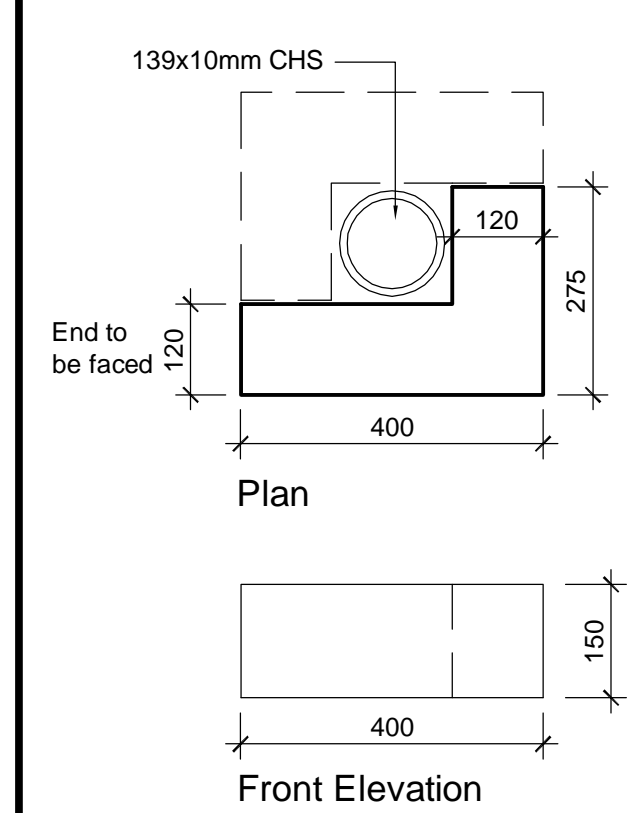
**NOTE**

Capping to be supplied in 2 no halves to fit around 139x10mm CHS



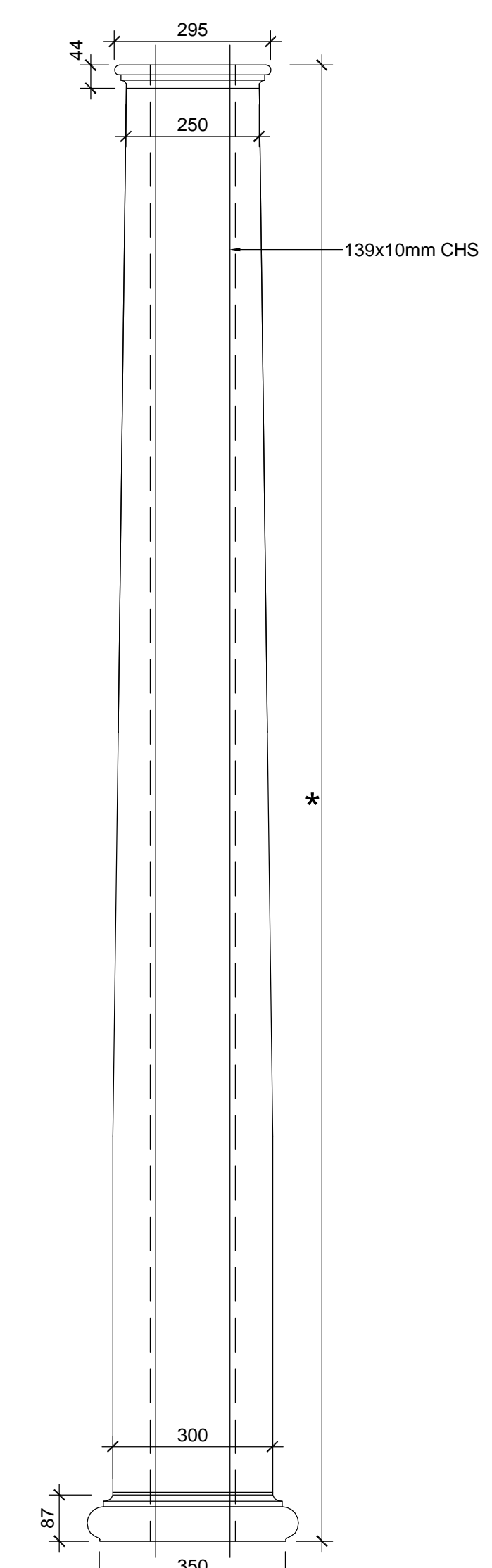
**Stone Capping - Type PC02**

2 No required



**Stone Pier Base - Type PC03**

32 No required

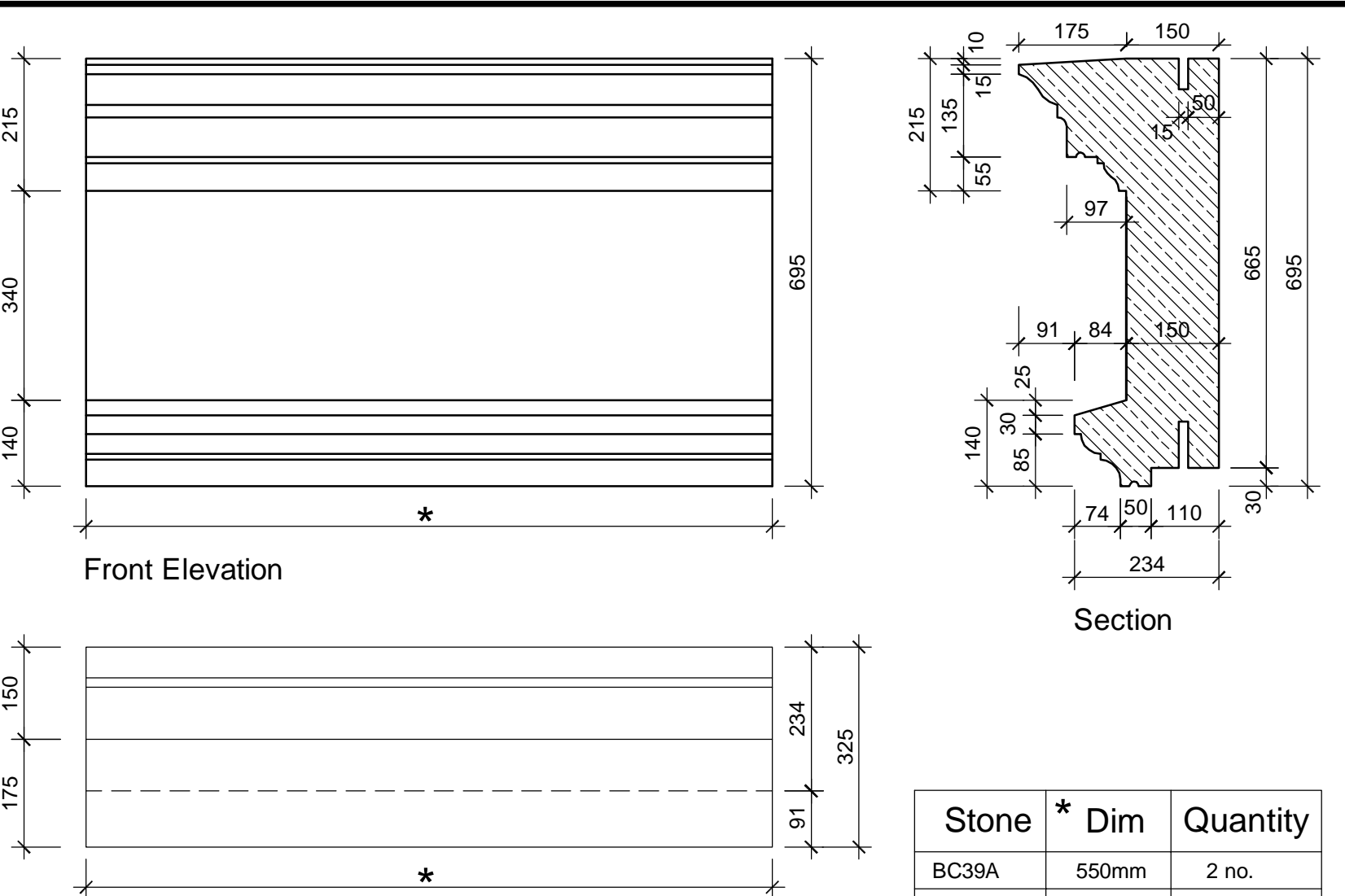


**Stone Pier - Type PC04**

Stone	* Dim	Quantity
PC04A	2445mm	4 no
PC04B	2775mm	12 no

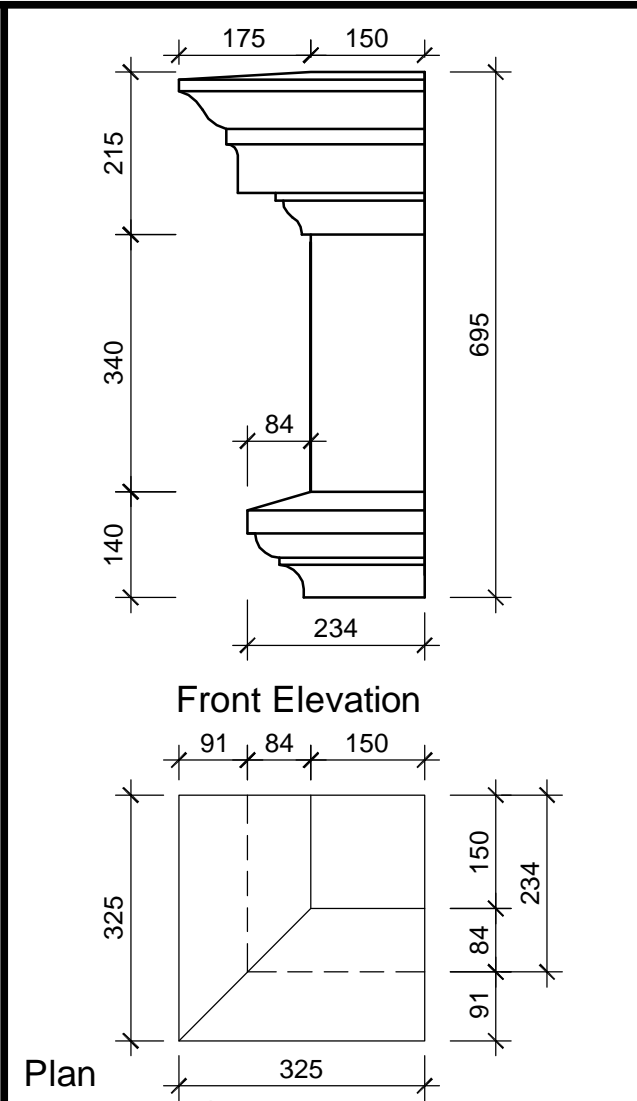
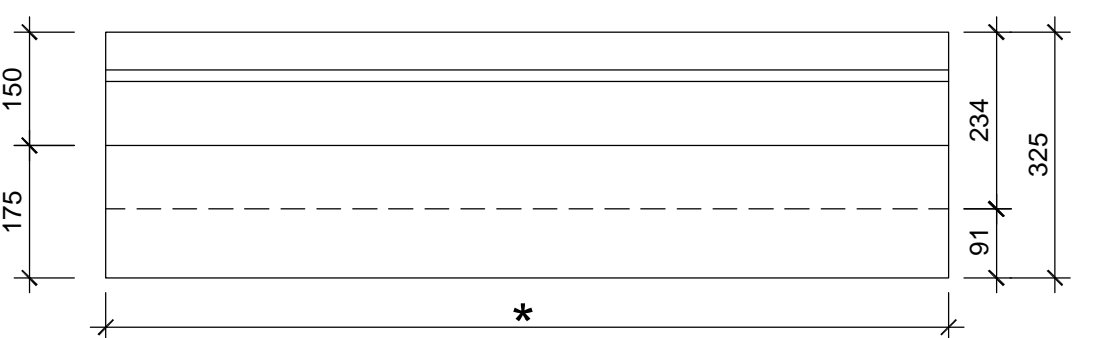
**NOTE**

Pier to be supplied in 2 no halves to fit around 139x10mm CHS



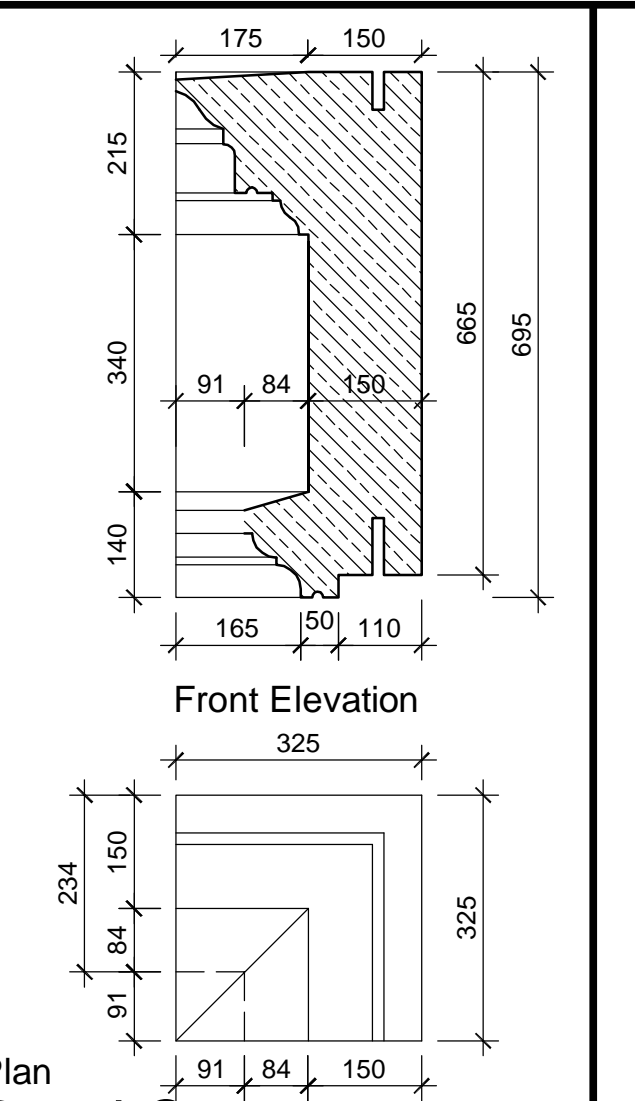
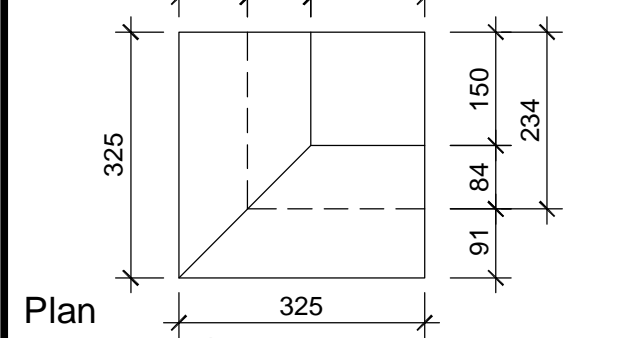
**Band Course - Type BC39**

Stone	* Dim	Quantity
BC39A	550mm	2 no.
BC39B	790mm	5 no.
BC39C	890mm	5 no.
BC39D	1115mm	53 no.



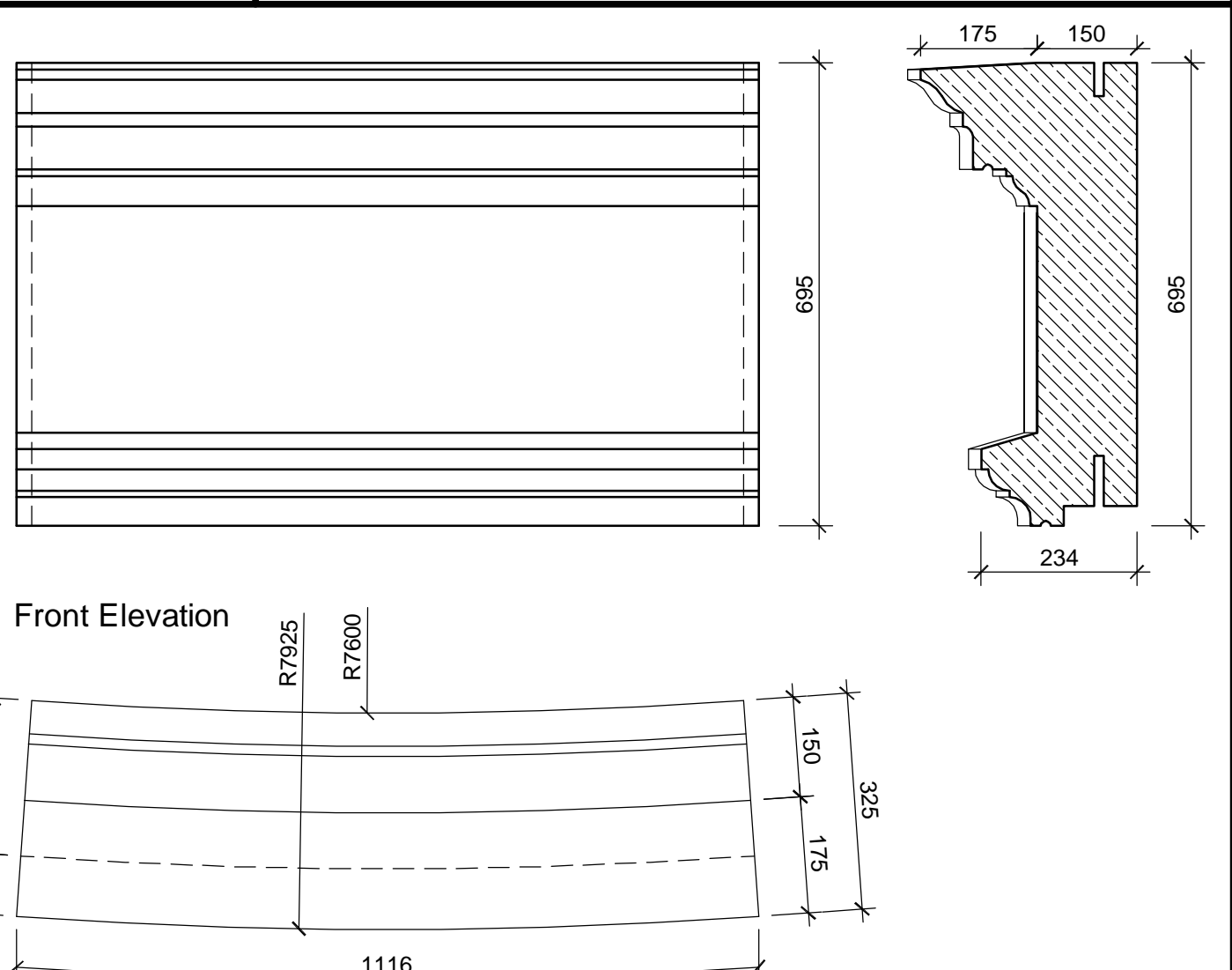
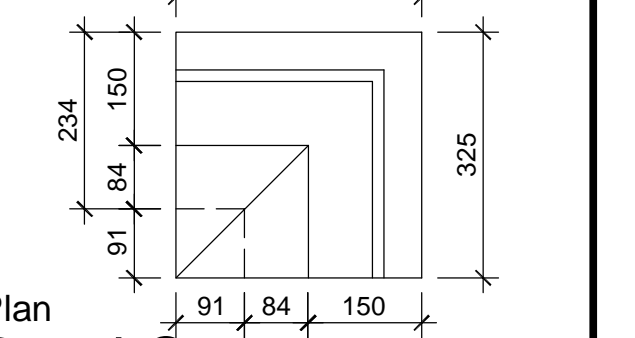
**Band Course - Type BC40**

5 no required



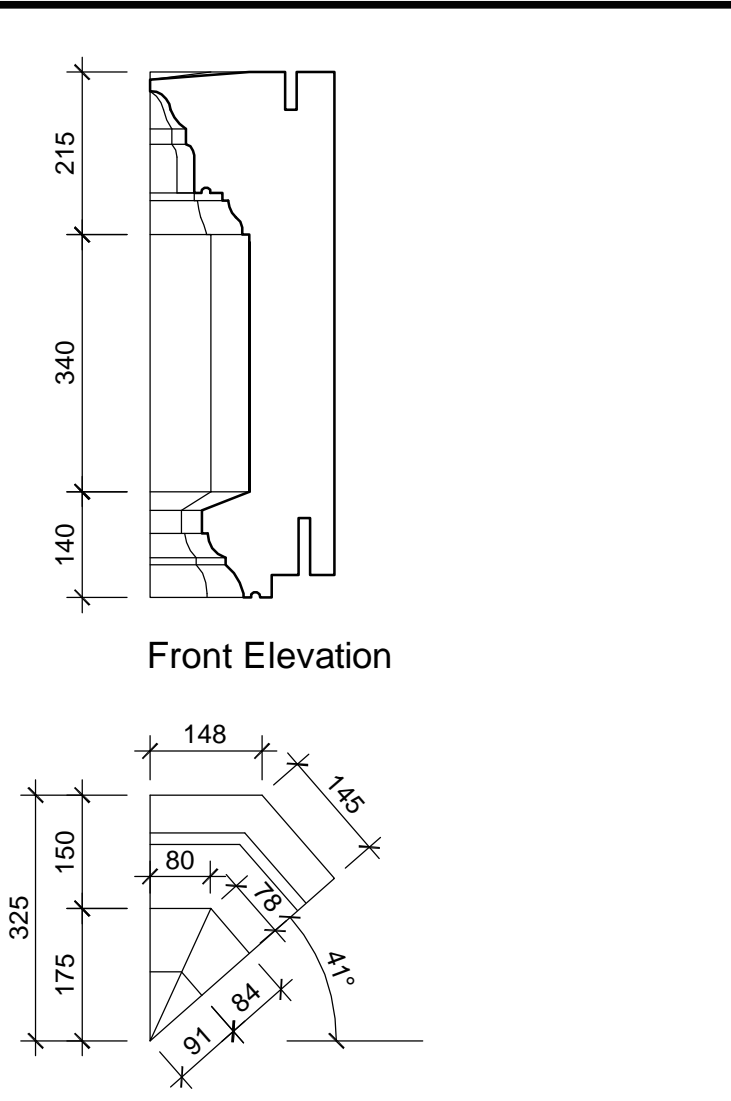
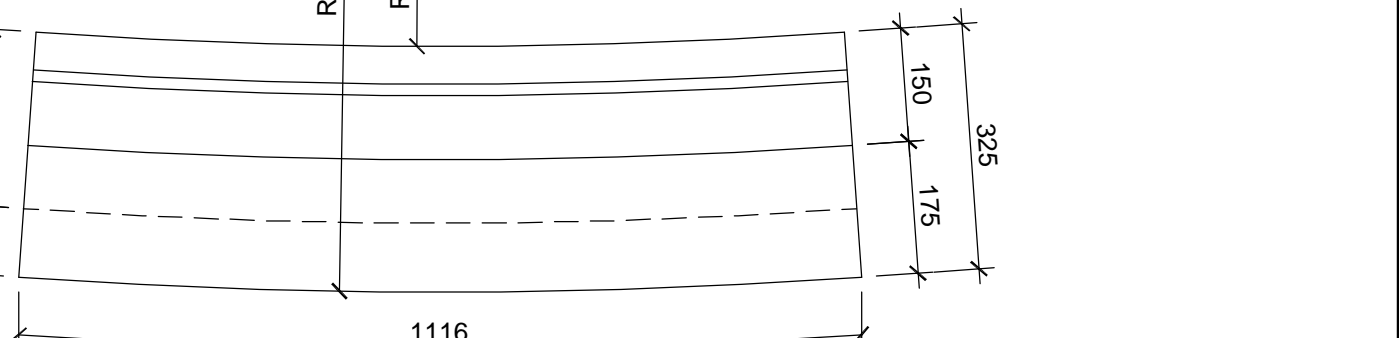
**Band Course - Type BC41**

3 no required



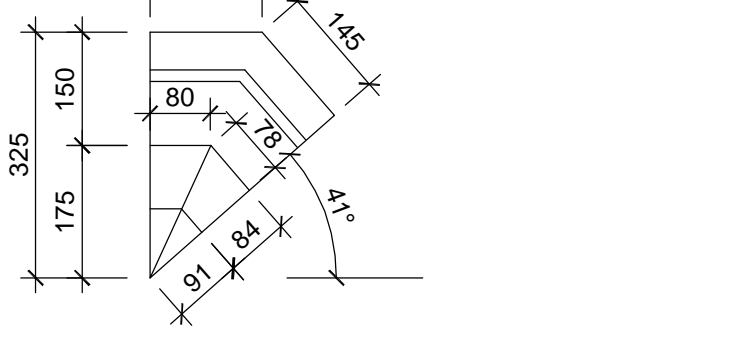
**Band Course - Type BC42**

12 no required



**Band Course - Type BC43**

1 No Left Hand (as drawn)  
1 No Right Hand (Handed)



**Notes**

- All quantities shown are actual quantities required for each plot. Any excess (for breakage etc.) should be allowed for by the surveyor.
- All stone components are to be smooth PORTLAND STONE finish.
- All components over 25kg are to have recessed lifting eye sockets cast in.
- Any reinforcement deemed necessary by the supplier for safe handling and transportation is to be included.
- Details indicated allow for manufacturing in wet cast acid etched concrete. Details and unit sizes will vary if dry cast is selected.
- Minimum reinforcement for structural members is noted on these drawings. Supplier to provide all other necessary reinforcement in accordance with normal standard / good practice.
- Reinforcement must be provided with 40mm concrete cover. Where ever this cannot be achieved the supplier will be required to use stainless steel reinforcement.
- Supplier will be required to determine both quantities and provide bar bending schedules for reinforcement as necessary - all for suppliers own use.
- Lapped joints in reinforcement bars for stonework concrete will **not** be permitted.
- Concrete strength for all structural stonework and cavity walls to be 35N/mm<sup>2</sup> at 28 days with 10mm max. aggregate size.
- Supplier to incorporate and supply all necessary fixings in accordance with normal standard / good practice, for all stonework / concrete members. (e.g. dowels, straps, ties, support brackets etc.)

**Stone manufacturer to design & detail all units & provide all structural reinforcement to all stone units shown on this drawing which are all load bearing members.**

B	BC38; handing and rwp slot added.	31.10.13
A	Construction Issue.	12.07.13

Revision	Date



Octagon Developments Limited  
Weir House Hurst Road  
East Molesey Surrey KT8 9AQ  
T: +44 (0) 208 481 7500  
F: +44 (0) 208 481 7501  
E: Octagon@Octdev.co.uk  
W: www.Octdev.co.uk

Project  
**Overbye, St Georges Hill**

Title  
**Stone Details  
Band Course Details**

Scale	Drawn	Date
1:10 1:2	sh	Jun. '13
Job number	Drawing number	Revision
<b>0623</b>	<b>6013</b>	<b>B</b>