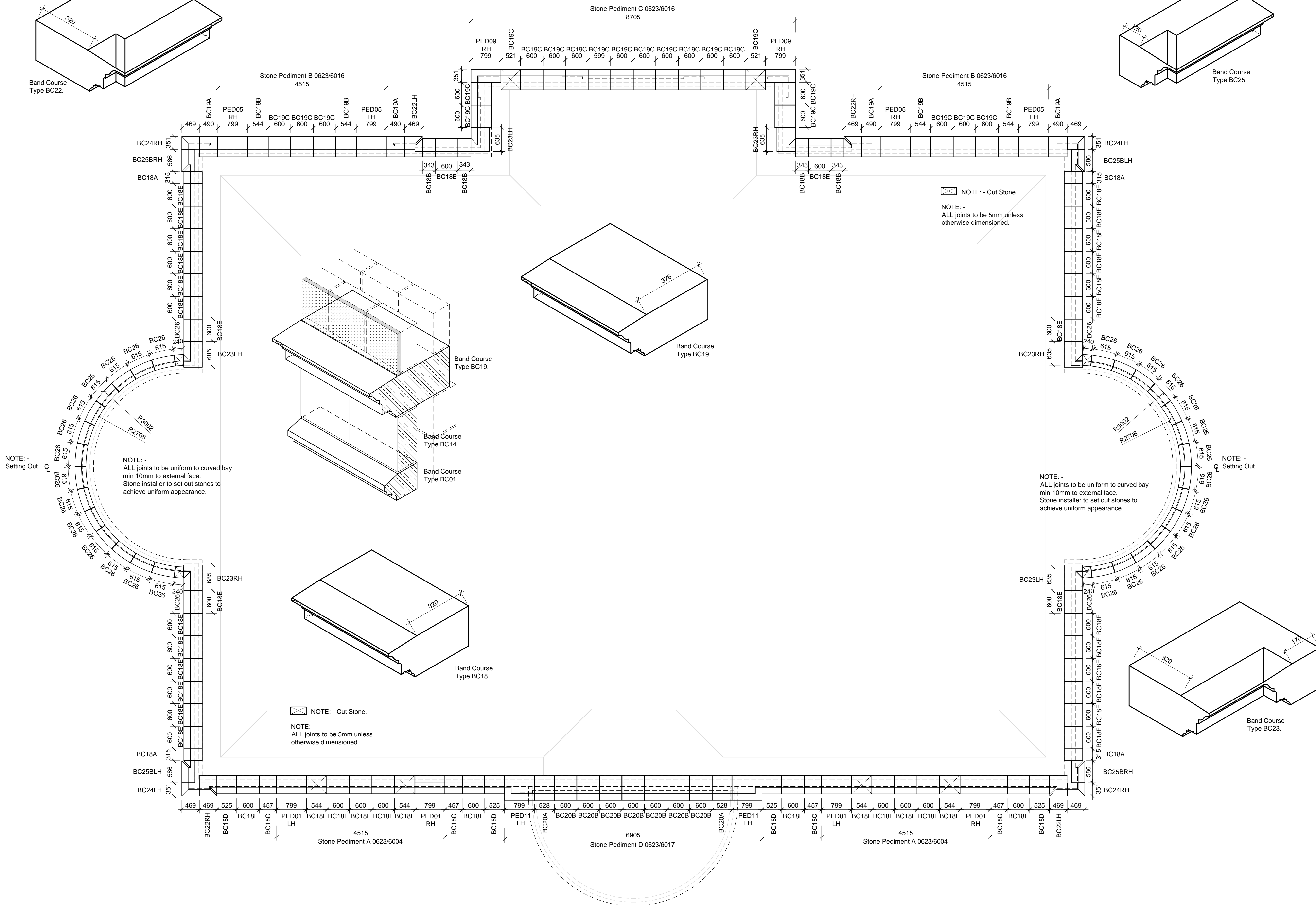
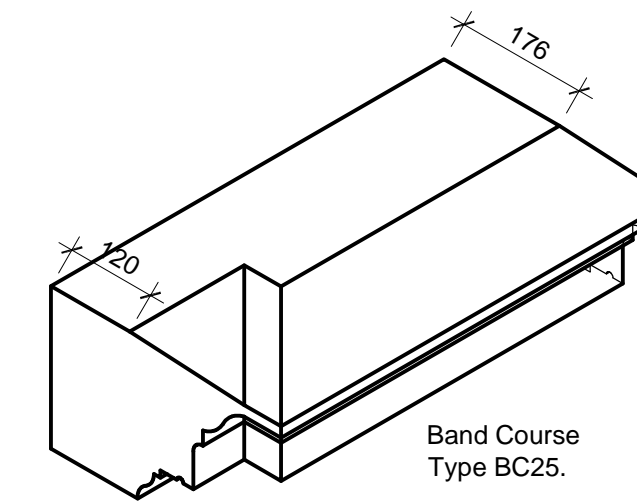
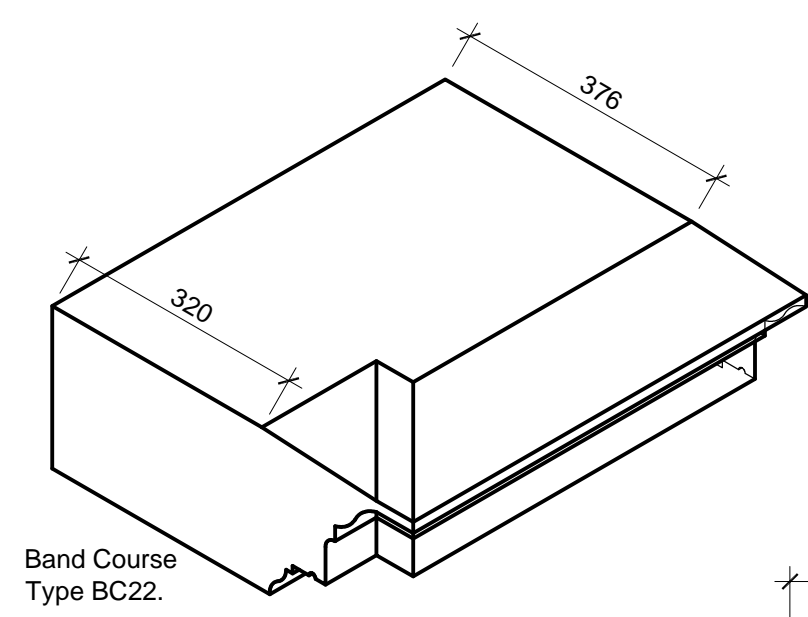


Level 6 Band Course Schedule

Stone	Drawing No	Quantity
BC18A	0623/6011	4 no.
BC18B	0623/6011	4 no.
BC18C	0623/6011	4 no.
BC18D	0623/6011	4 no.
BC18E	0623/6011	44 no.
BC19A	0623/6012	4 no.
BC19B	0623/6012	4 no.
BC19C	0623/6012	22 no.
BC20A	0623/6012	2 no.
BC20B	0623/6012	7 no.
BC22LH	0623/6012	2 no.
BC22RH	0623/6012	2 no.
BC23LH	0623/6012	3 no.
BC23RH	0623/6012	3 no.
BC24LH	0623/6012	2 no.
BC24RH	0623/6012	2 no.
BC25BLH	0623/6012	2 no.
BC25BRH	0623/6012	2 no.
BC26	0623/6012	32 no.



NOTE: - Cut Stone.
NOTE: - ALL joints to be 5mm unless otherwise dimensioned.

NOTE: - Setting Out
NOTE: - ALL joints to be uniform to curved bay min 10mm to external face. Stone installer to set out stones to achieve uniform appearance.

NOTE: - Setting Out
NOTE: - ALL joints to be uniform to curved bay min 10mm to external face. Stone installer to set out stones to achieve uniform appearance.

NOTE: - Cut Stone.
NOTE: - ALL joints to be 5mm unless otherwise dimensioned.

Stone manufacturer to design & detail all units & provide all necessary structural reinforcement to loadbearing stone units.

A	Construction Issue.	12.07.13
	Revision	Date



Octagon Developments Limited
Weir House Hurst Road
East Molesey Surrey KT8 9AQ
T: +44 (0) 208 481 7500
F: +44 (0) 208 481 7501
E: Octagon@Octdev.co.uk
W: www.Octdev.co.uk

Project
Overbye, St Georges Hill

Title
**Stone Details
Stone Band Level 6**

Status	Construction	
Scale	Drawn	Date
1:50	sh	Jun '13
Job number	Drawing number	Revision
0623	6009	A