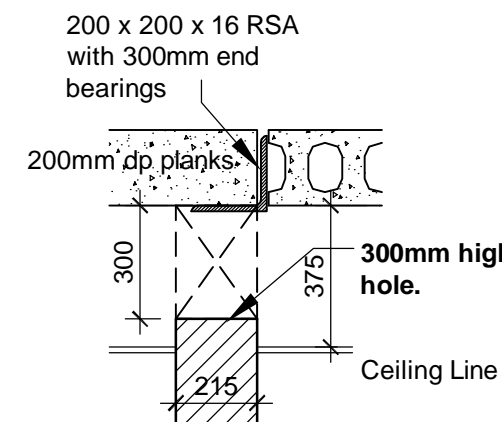
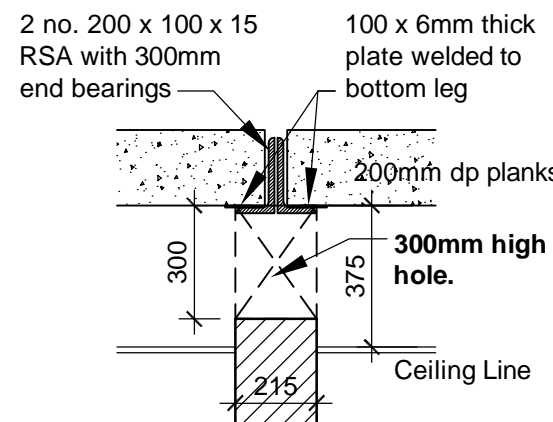


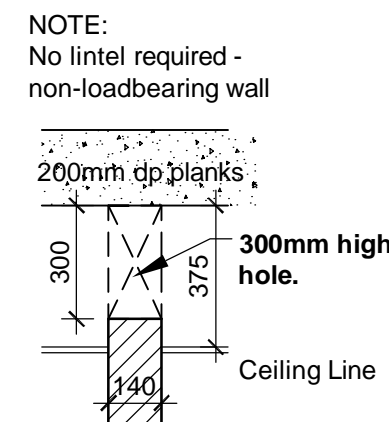
Drawing to be read in conjunction with First Floor Structure Plan dwg. no. 0623/2005.



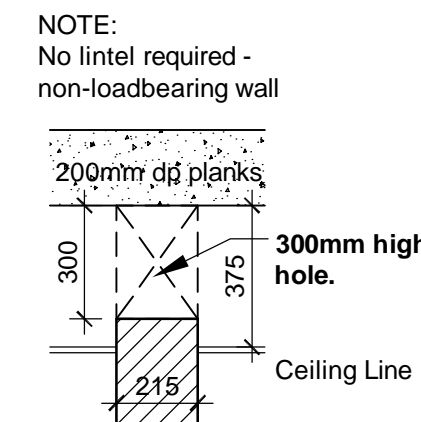
Hole 1, 2
(see plan) wide x 300mm high.



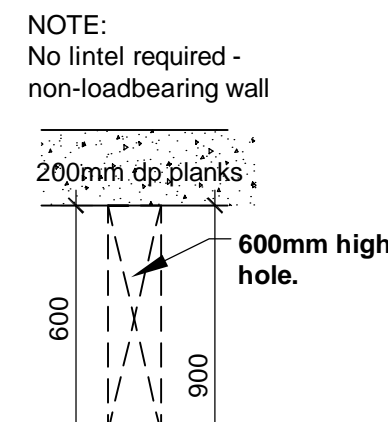
Hole 3, 4, 5
(see plan) wide x 300mm high.



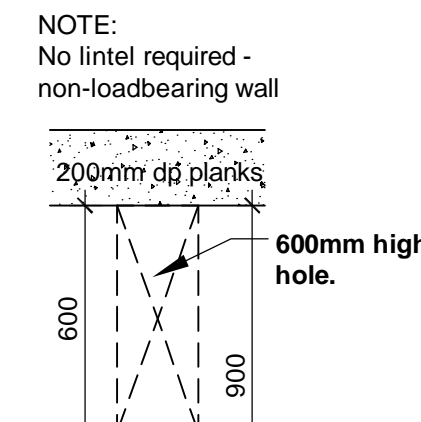
Hole 6, 7, 14, 19
(see plan) wide x 300mm high.



Hole 8, 9, 11, 12, 15, 16, 17, 18, 20, 21
(see plan) wide x 300mm high.



Hole 10, 13
(see plan) wide x 600mm high.



Hole 22
(see plan) wide x 600mm high.

0623/4000
B - B

A - A
0623/4000

0623/4002
G - G

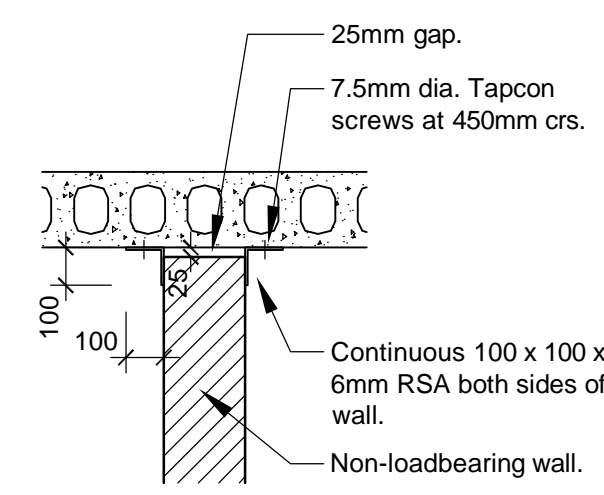
C - C
0623/4000

0623/4002
G - G

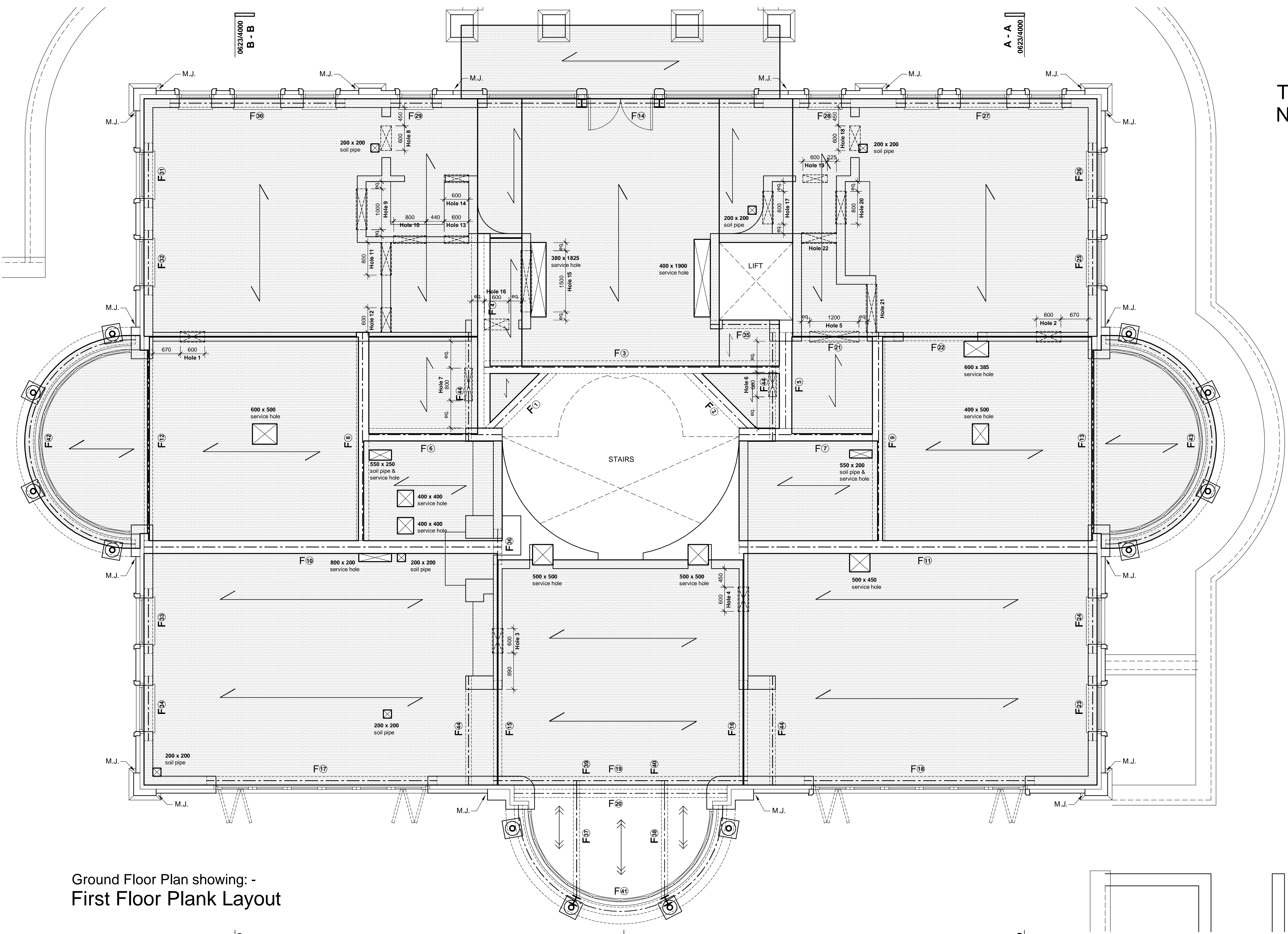
C - C
0623/4000

F - F
0623/4001

F - F
0623/4001



Typical Restraint Detail to Top of Non-Loadbearing Walls



Ground Floor Plan showing: -
First Floor Plank Layout

0623/4000
B - B

D - D
0623/4001

A - A
0623/4000

A	Construction Issue.	18.10.13
Revision		Date



Octagon Developments Limited
Weir House Hurst Road
East Molesey Surrey KT8 9AY
T: +44 (0) 208 481 7500
F: +44 (0) 208 481 7501
E: Octagon@Octagon.co.uk
W: www.Octagon.co.uk

Project
Overbye, St Georges Hill
Title
First Floor
Wide Span Plank Layout

Status	Construction	
Scale	Drawn	Date
1:50	sh	May '13
Job number	Drawing number	Revision
0623	2009	A