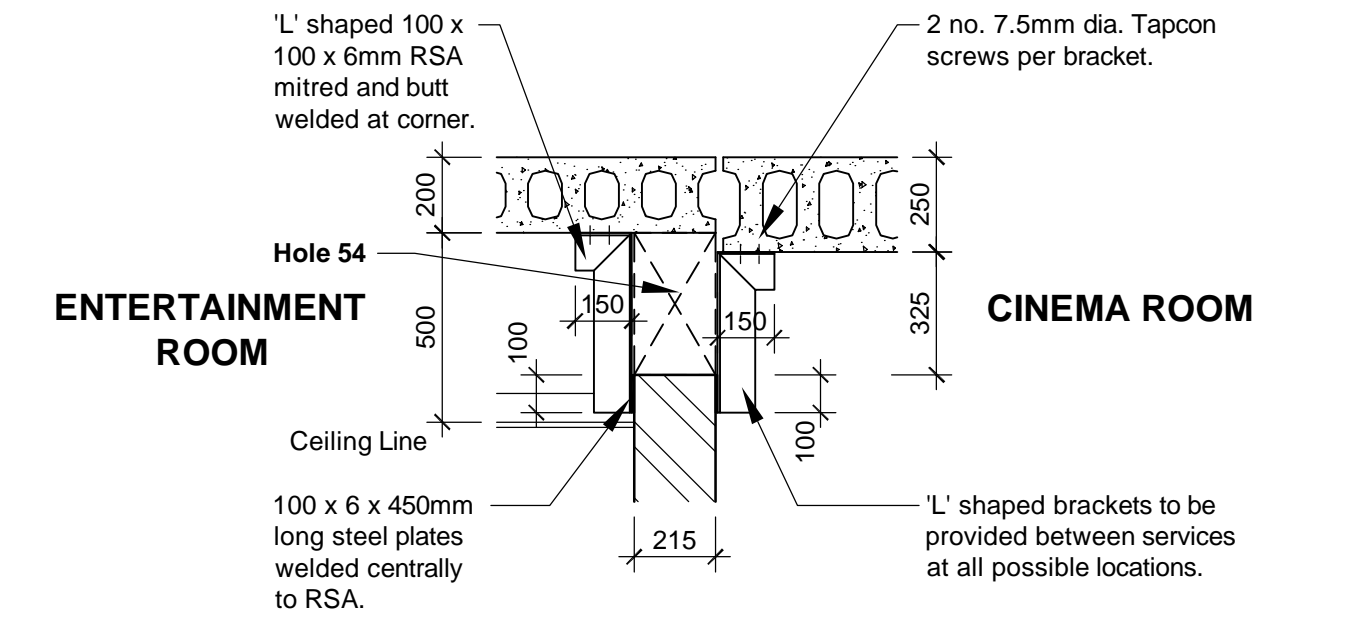
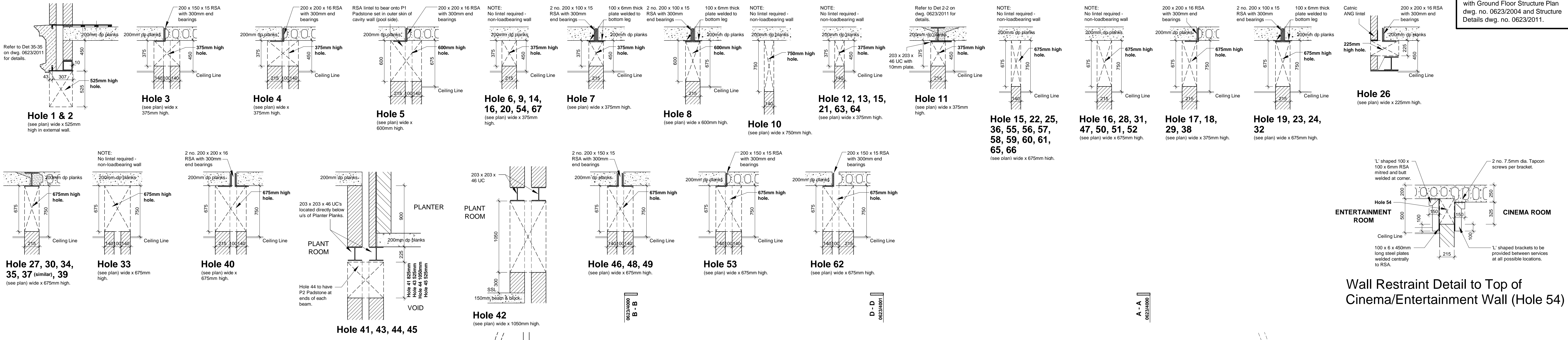
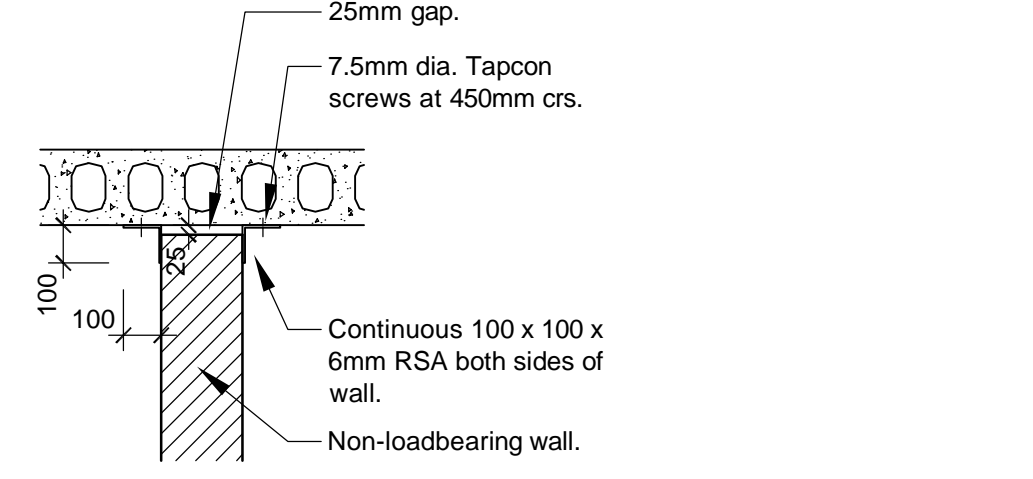


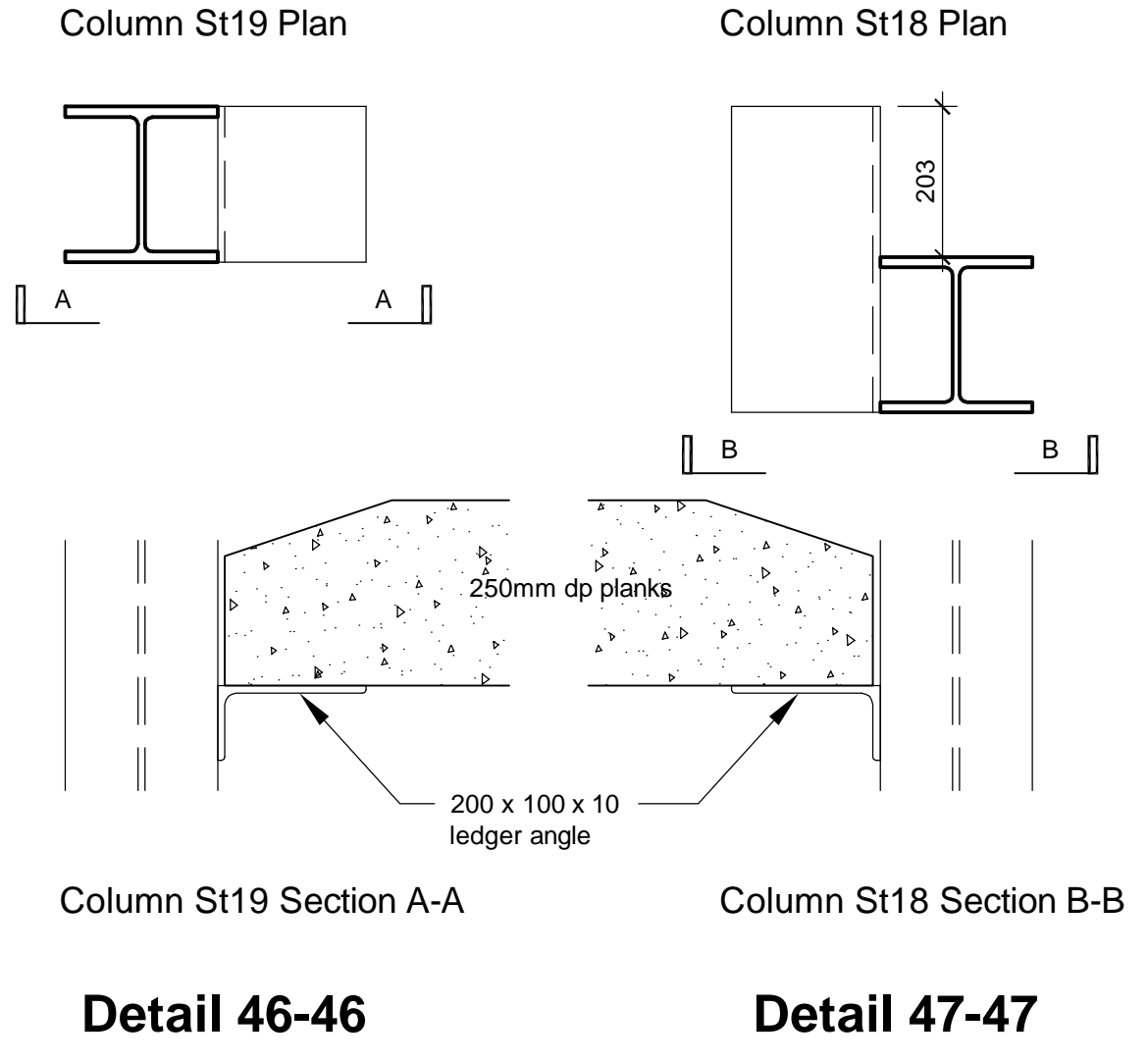
Drawing to be read in conjunction with Ground Floor Structure Plan dwg. no. 0623/2004 and Structure Details dwg. no. 0623/2011.



Wall Restraint Detail to Top of Cinema/Entertainment Wall (Hole 54)



Typical Restraint Detail to Top of Non-Loadbearing Walls



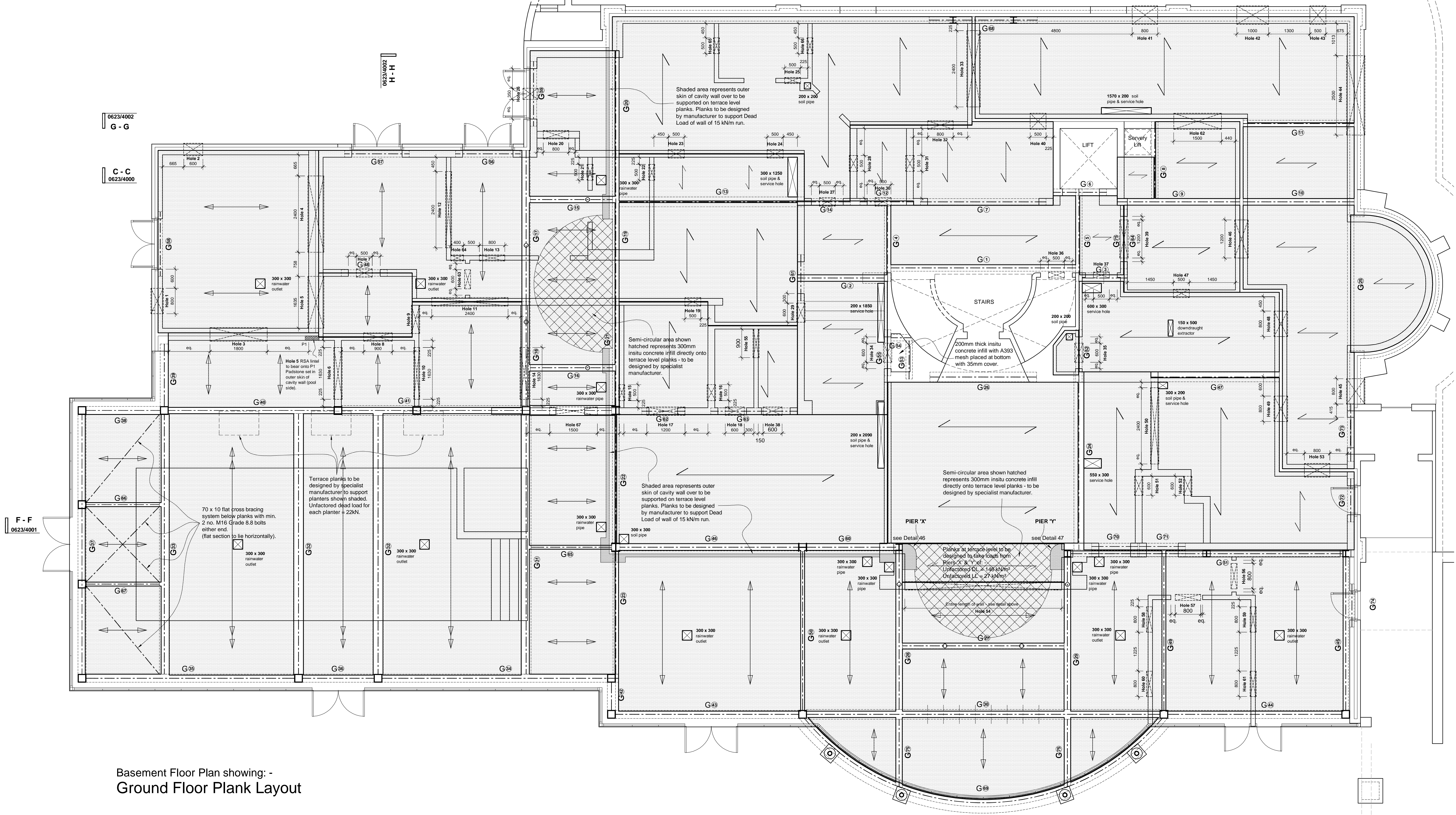
Column St19 Plan
Column St18 Plan
Detail 46-46
Detail 47-47

Revision	Date
C	Holes 44 position amended. 14.03.14
B	Holes 7, 8, 10, 20, 24, 32. Plank added to bottom top of RSA. 18.10.13
A	Construction Issue. 01.10.13



Project: Overbye, St Georges Hill
Title: Ground Floor Wide Span Plank Layout

Scale	Drawn	Date
1:50	sh	May '13
Job number	Drawing number	Revision
0623	2008	C



Basement Floor Plan showing: - Ground Floor Plank Layout