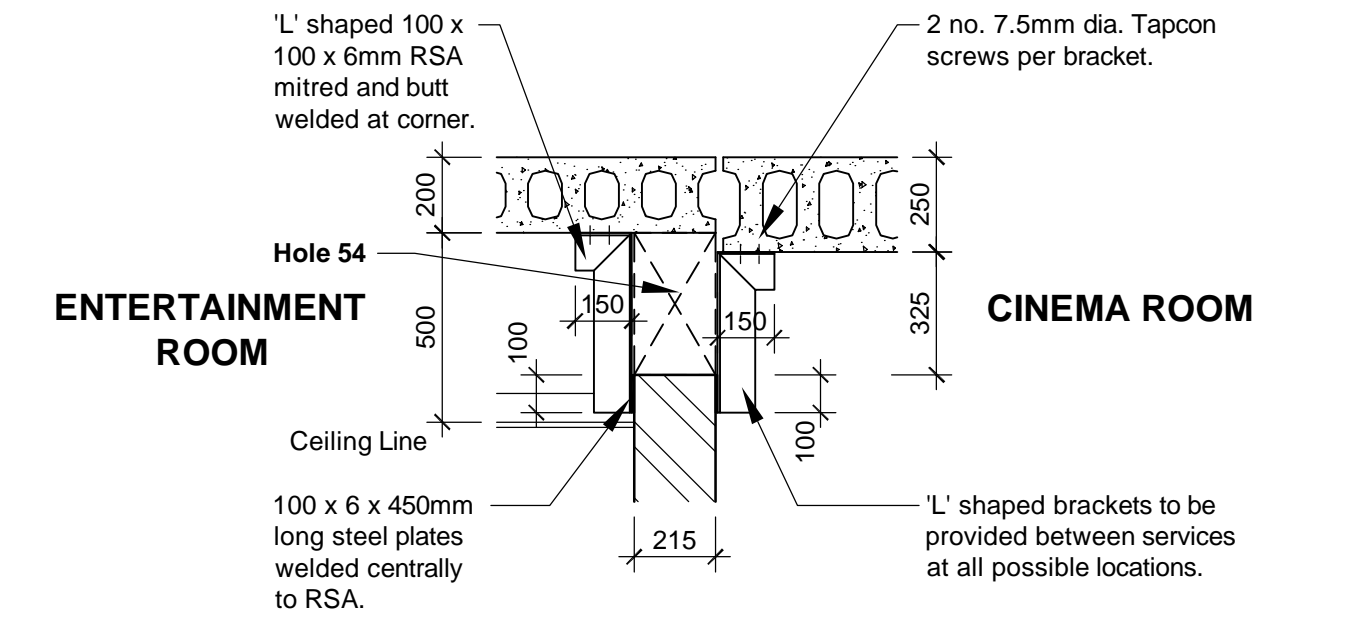
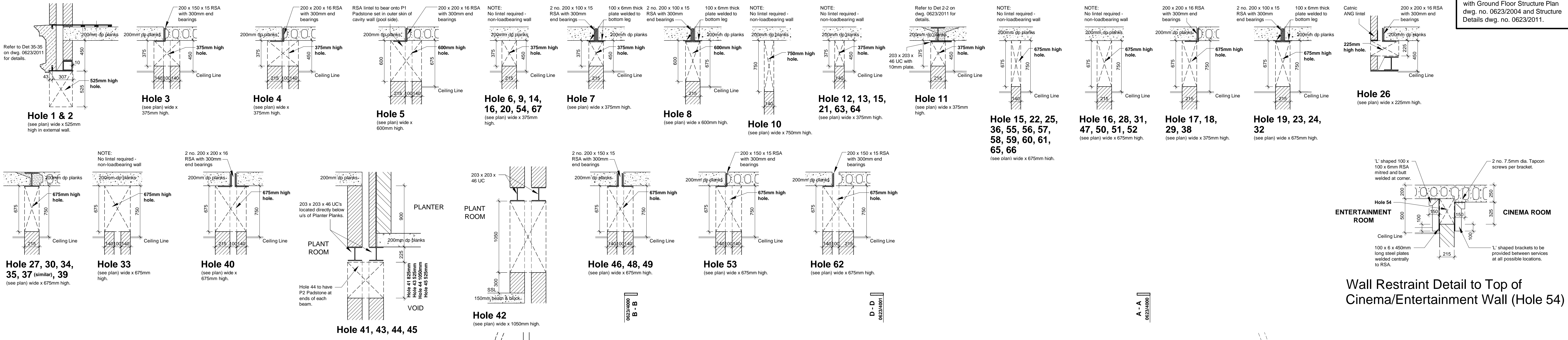
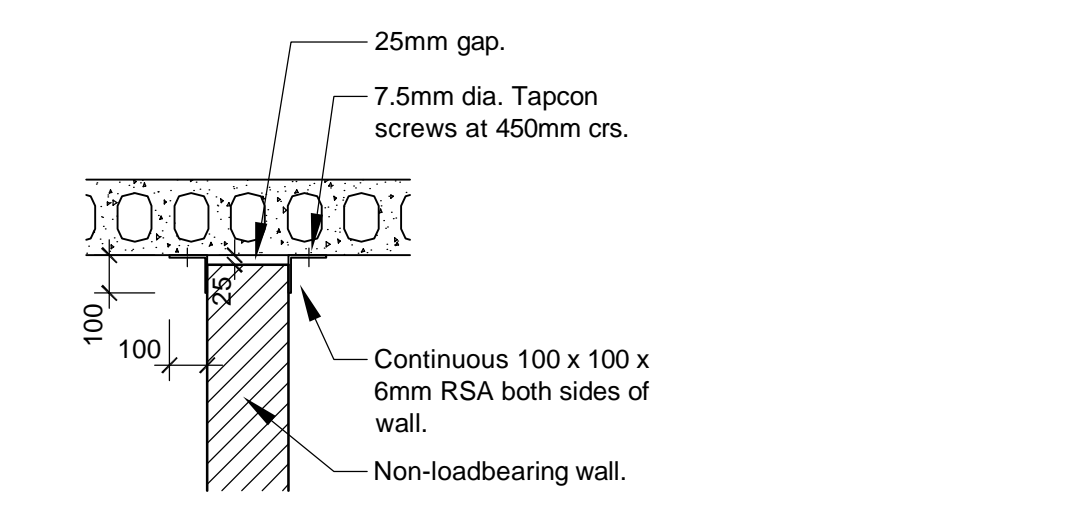


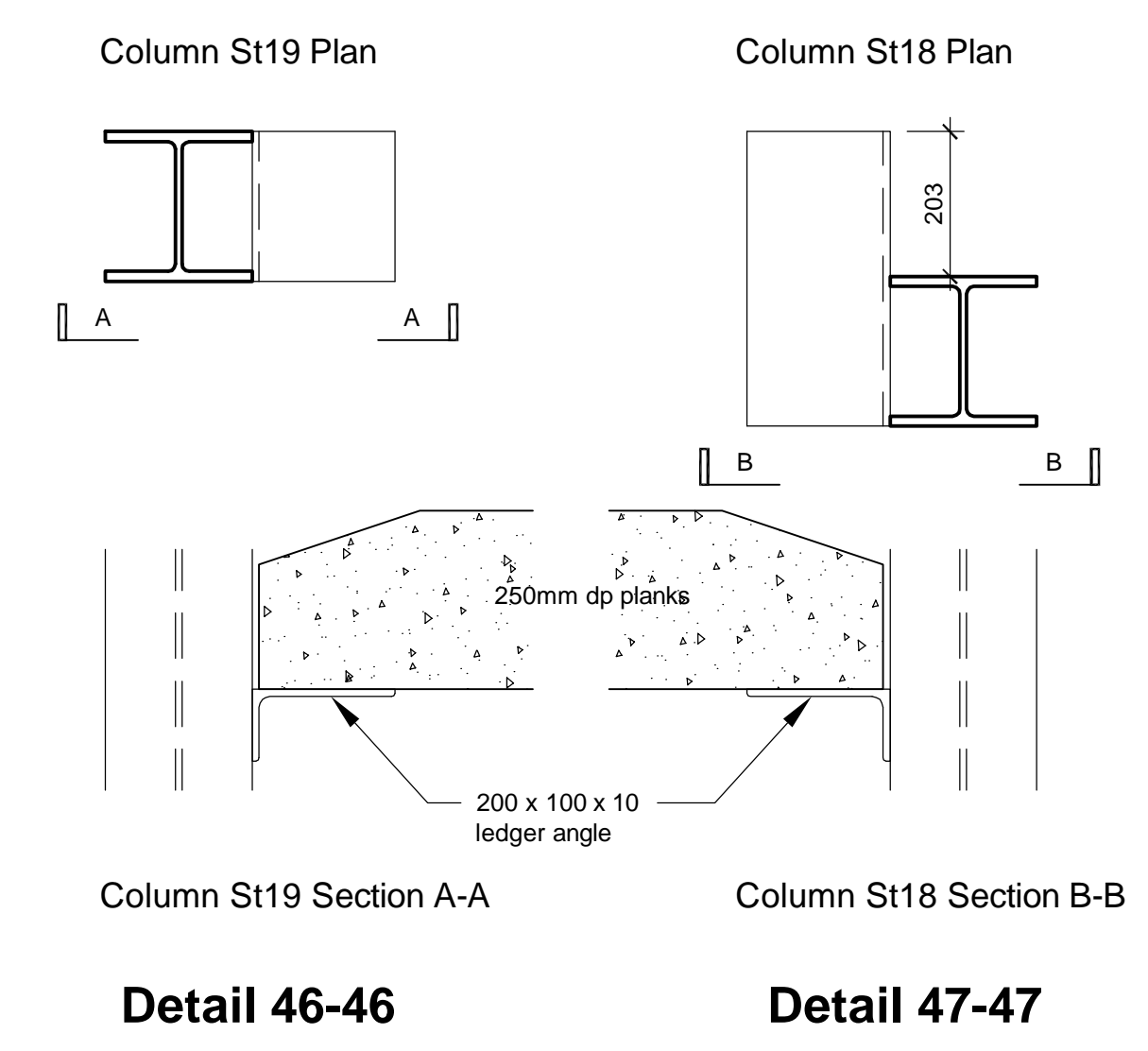
Drawing to be read in conjunction with Ground Floor Structure Plan dwg. no. 0623/2004 and Structure Details dwg. no. 0623/2011.



Wall Restraint Detail to Top of Cinema/Entertainment Wall (Hole 54)



Typical Restraint Detail to Top of Non-Loadbearing Walls



Column S119 Plan Column S118 Plan
Detail 46-46 Detail 47-47

B	Holes 7, 8, 10, 23, 24, 32: Plank added to bottom top of RSA	18.10.13
A	Construction Issue.	01.10.13

Revision Date

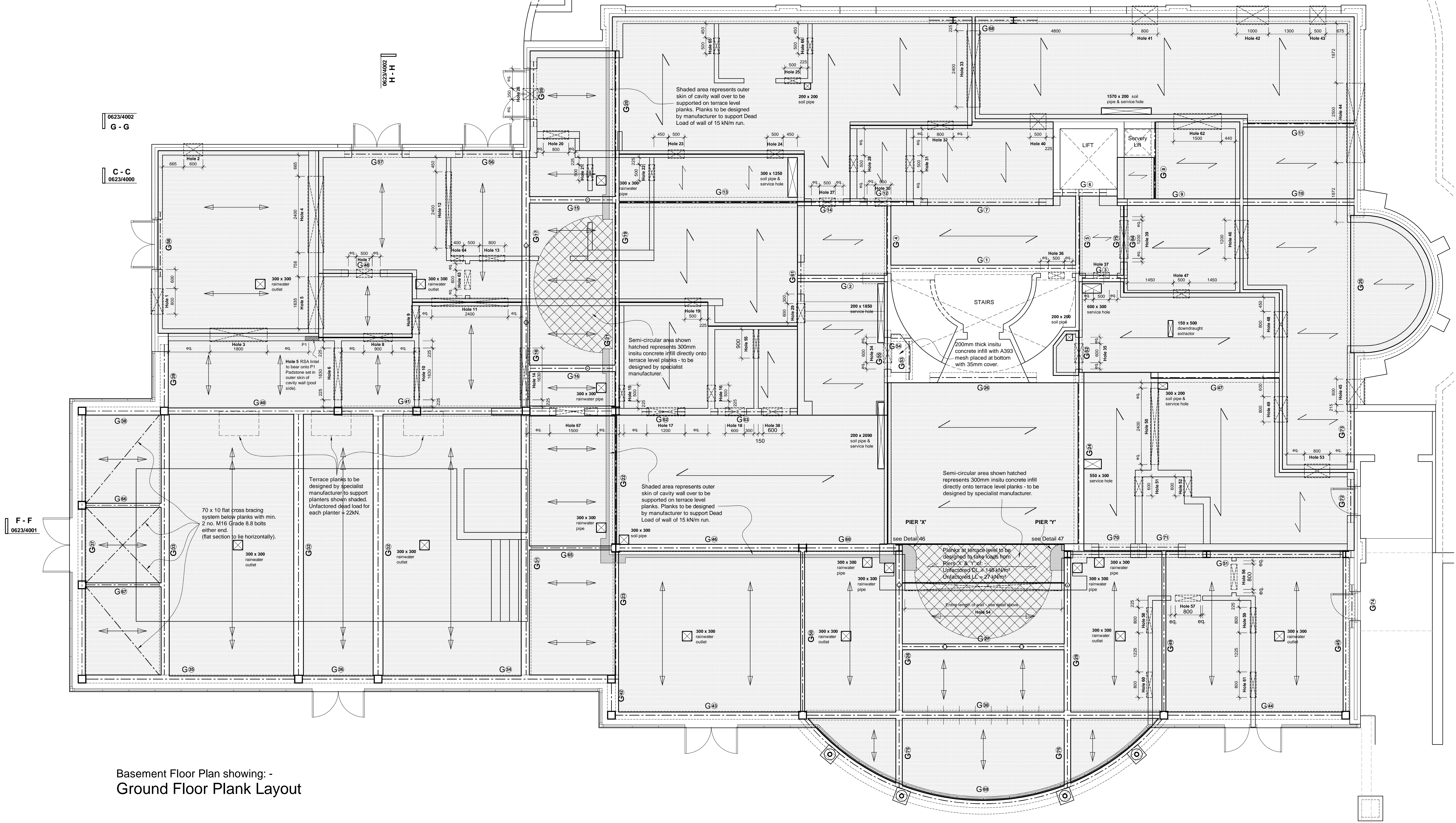
OCTAGON

Octagon Developments Limited
 Water House, Haverhill Road
 East Molesey, Surrey, KT8 8AV
 T: +44 (0) 208 481 7500
 F: +44 (0) 208 481 7501
 E: octagon@octagon.co.uk
 W: www.octagon.co.uk

Project
Overbye, St Georges Hill
 Title
Ground Floor Wide Span Plank Layout

Status	Construction
Scale	1:50
Drawn	sh
Date	May '13
Job number	0623
Drawing number	2008
Revision	B

© Copyright Octagon Developments Limited



Basement Floor Plan showing: - Ground Floor Plank Layout