

NOTES

Concrete block padstones below beam bearing of min strength 21N/mm², beams to have full bearing on padstones.

Padstone Ref	L	W	D
P1	440	140	215mm
P2	440	215	215mm
P3	600	215	215mm
P4	600	140	215mm
P5	440	330	215mm
P6	755	215	215mm
P7	550	215	215mm
P8	890	215	215mm
P9	440	100	215mm
P10	330	330	215mm
P11	440	140	215mm (curved)

Inner skin of cavity walls and all blockwork walls from basement to roof plate level to be in blocks of strength 7.3 N/mm² set in 1:1:6 mortar (cement : lime : sand) unless noted otherwise.

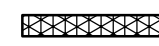
Catnic lintels to have minimum 150mm end bearing or as otherwise noted on drawing and to be installed in accordance with manufacturer's details.

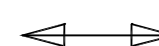
Where first floor spans are parallel to external walls, floor planks are to be built-in to wall to act as lateral restraint.

Steel beams are to be located within depth of structural floor zone unless stated otherwise, and are to be fitted with ms support brackets where supporting end bearing of floor units. Floor units to have min. 75mm end bearing onto brackets. Refer to detail section showing bearing arrangement.

All internal block walls are to be fully bonded to external walls.

Use Catnic CN56XA lintels above all single door openings in 140mm walls unless otherwise noted on plan.

 Denotes walls & piers in bricks of strength 20 N/mm² set in 1 : 1 : 3 mortar. (Cement : Lime : Sand)

 Arrow denotes span of trussed rafters/loose timbers, all to be to specialist manufacturers design and details.

R = 15Kn etc Denotes ultimate beam reactions for steel fabricator to design and detail appropriate connections. No connection to have less than 4no. M16 Grade 8.8 bolts.

V.J. Denotes vertical tied joint in wall with wall ties at 225mm crs. vertically.

M.J. Denotes movement joint (see elevations).

Revision	Date
F	Master Bed/Hall wall increased to 215mm. 18.10.13
E	Wall revised between En Suite 3/ En Suite 1 and En Suite 4/Wardrobe. 01.10.13
D	Bed 3 wardrobe amended. 15.08.13
C	Beam S29. Detail 5-5 and dims added. 29.07.13
B	Structural notes added. 10.07.13
A	Construction Issue. 09.05.13

Revision Date

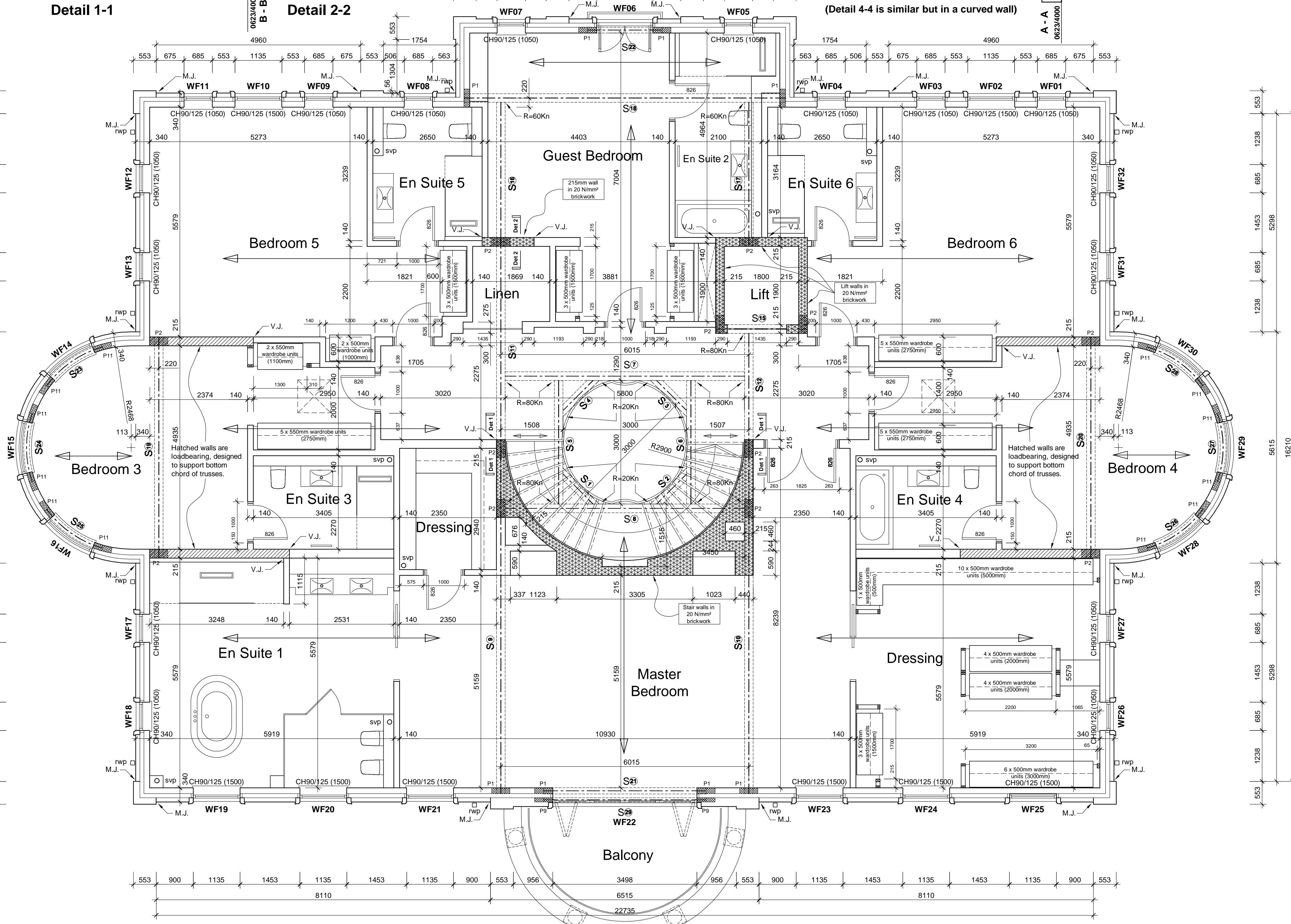
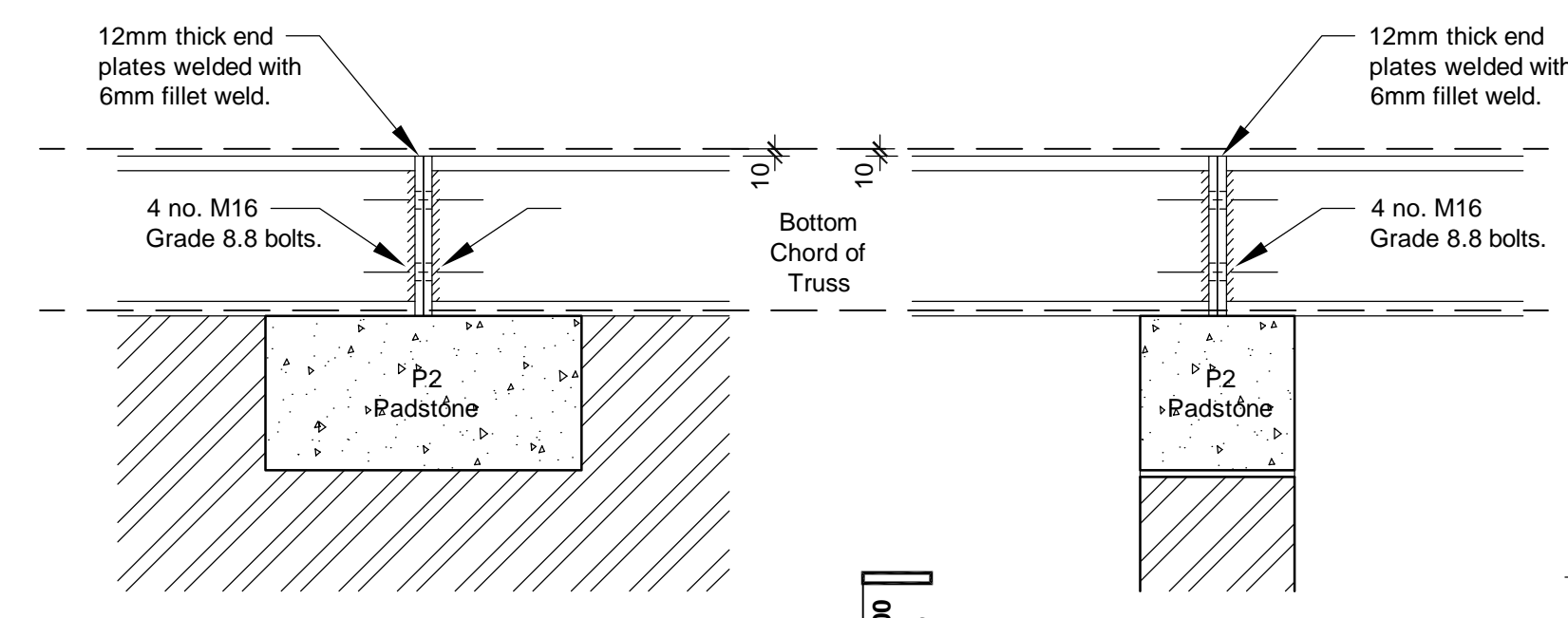
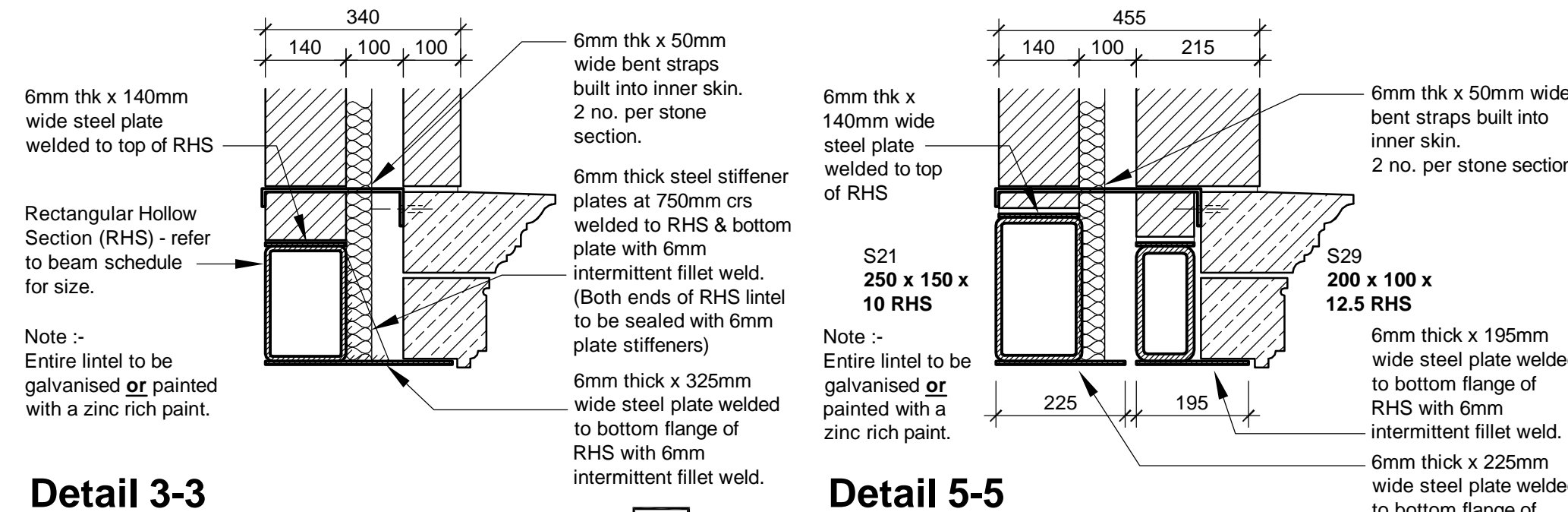


Octagon Developments Limited
Weir House Hurst Road
East Molesey Surrey KT8 9AY
T: +44 (0) 208 481 7500
F: +44 (0) 208 481 7501
E: Octagon@Octagon.co.uk
W: www.Octagon.co.uk

Project
Overbye, St Georges Hill

First Floor Plan

Status	Scale	Drawn	Date
Construction	1:50	sh	Nov. '12
	Job number	Drawing number	Revision
	0623	2003	F



Refer to Elevations for additional movement joint locations unable to be illustrated on plans.

