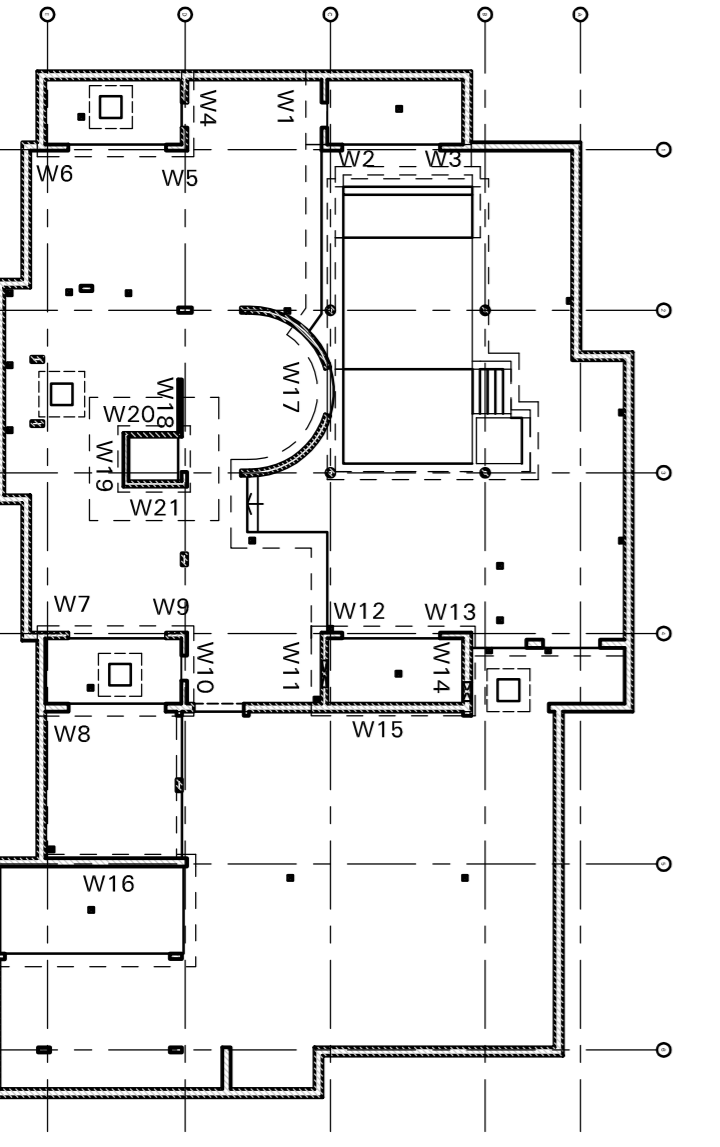
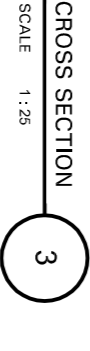
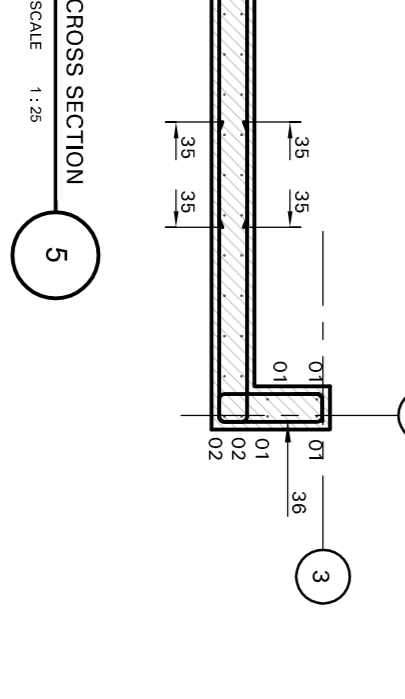
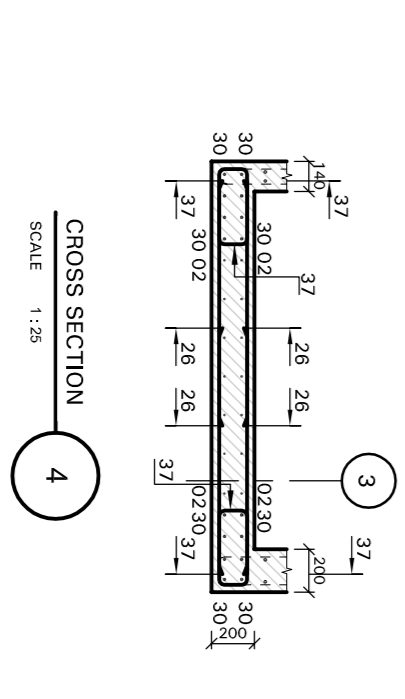
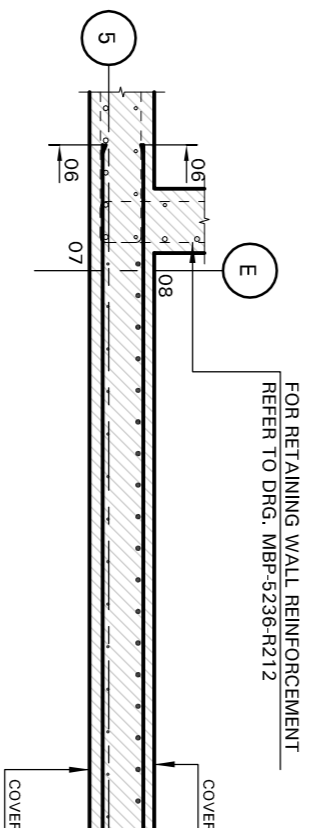
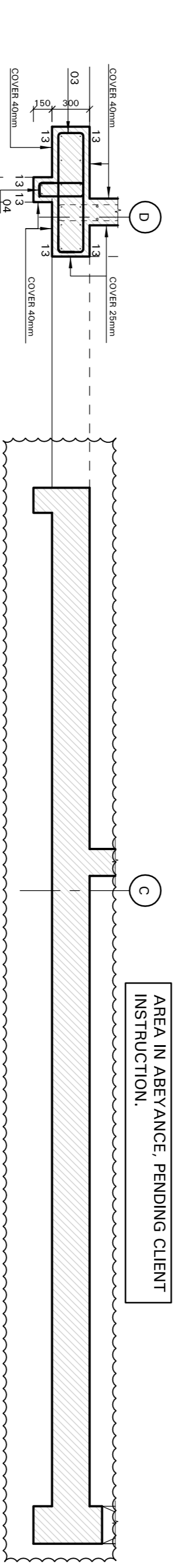
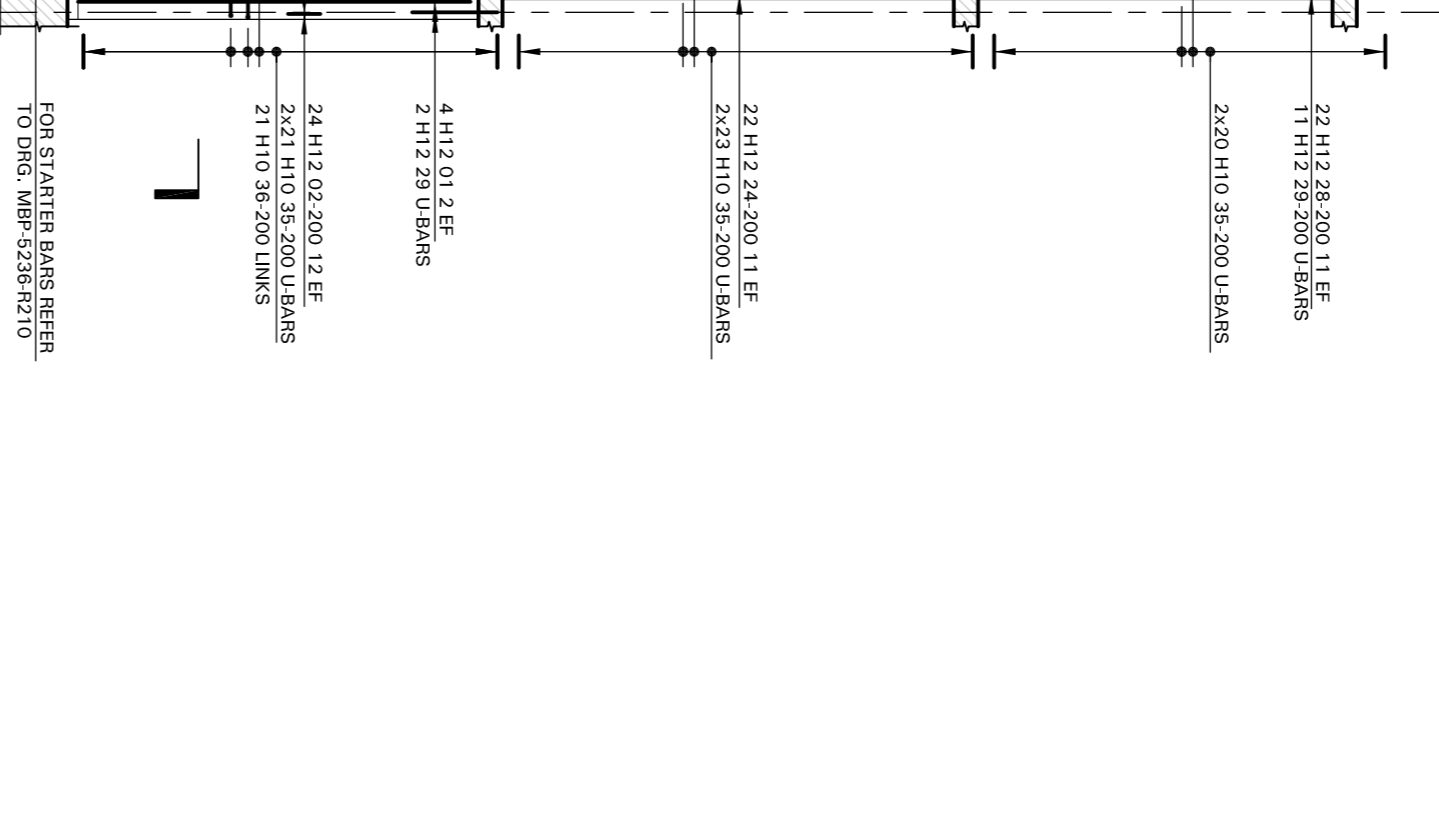
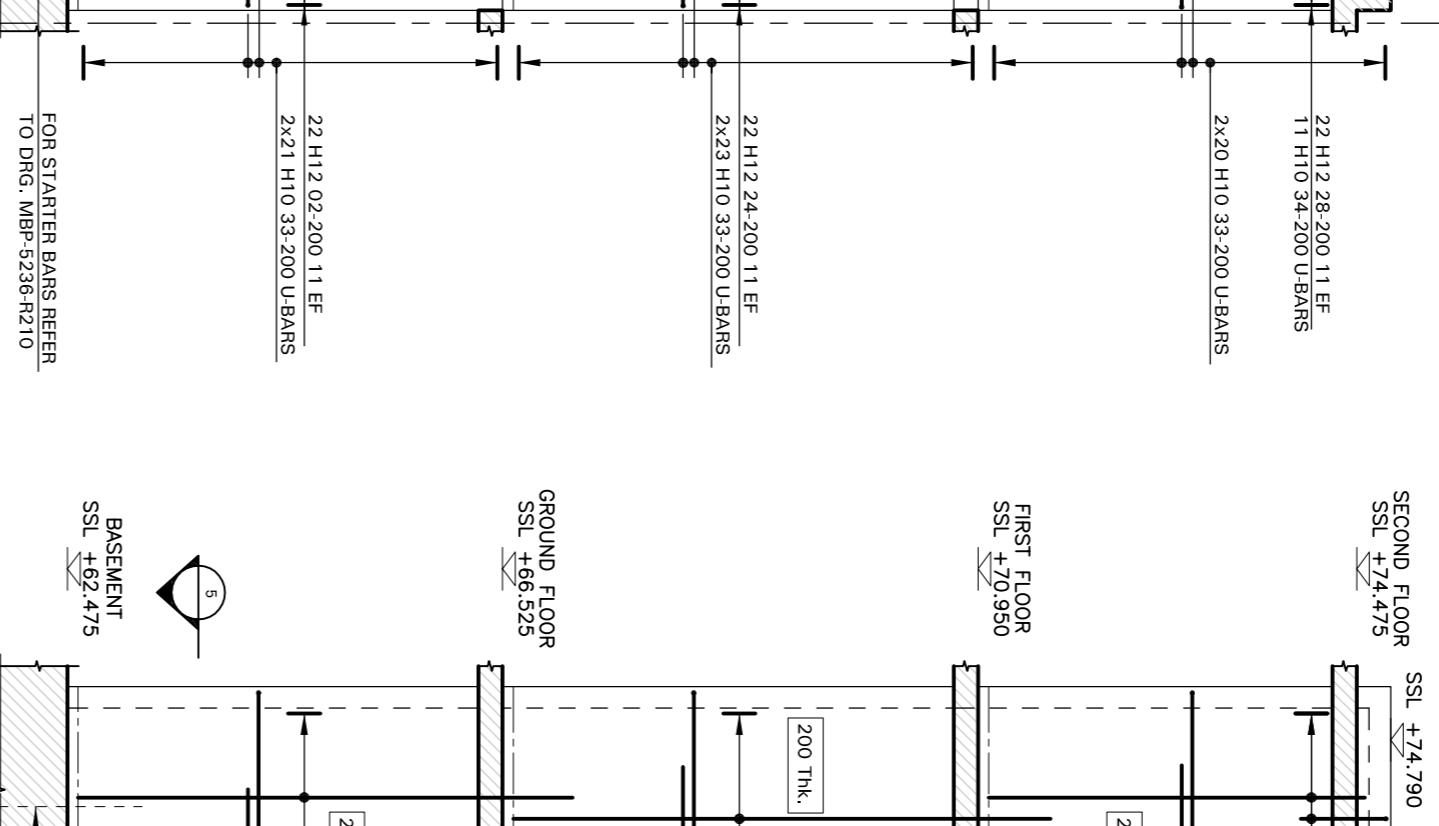
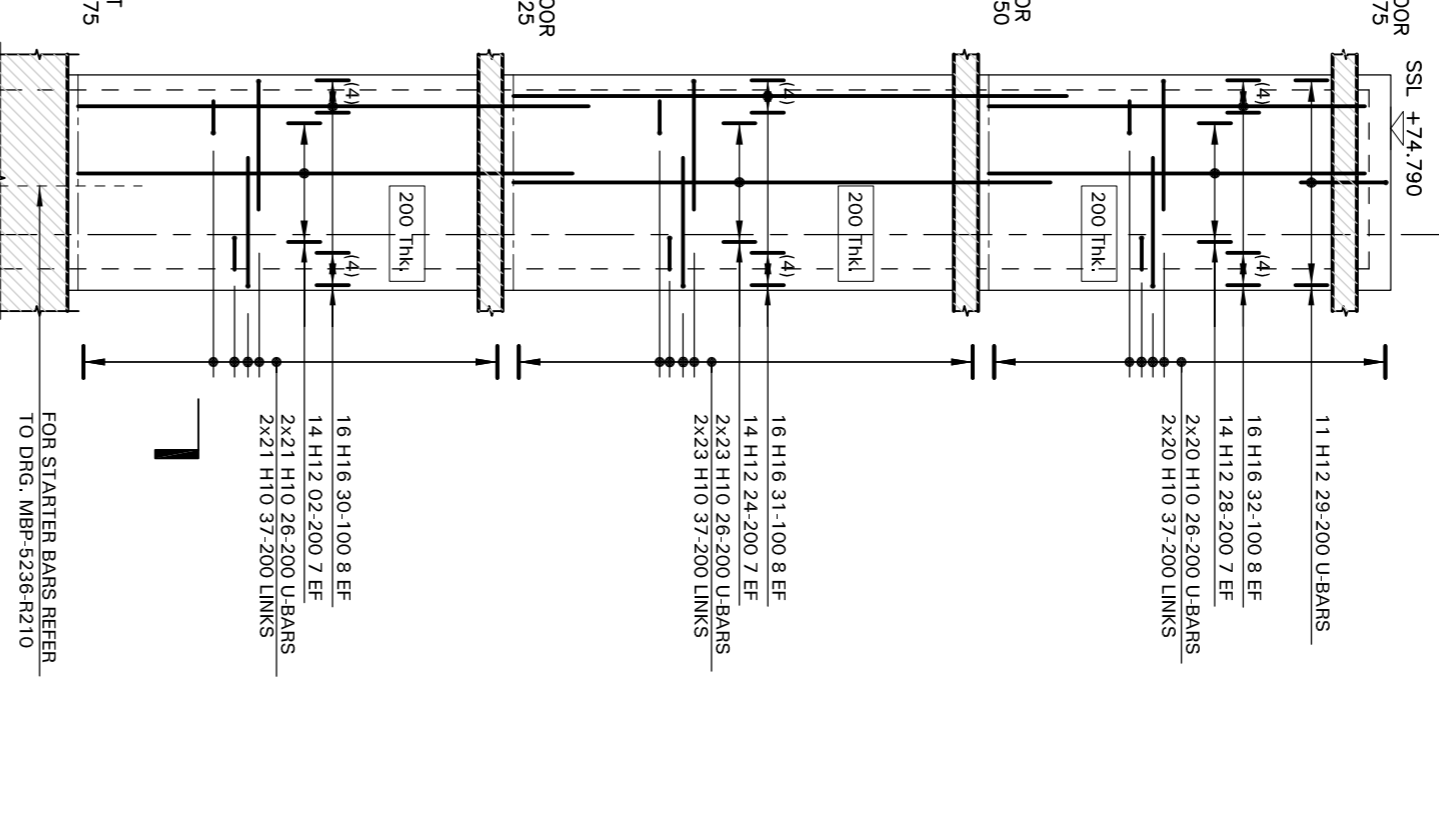
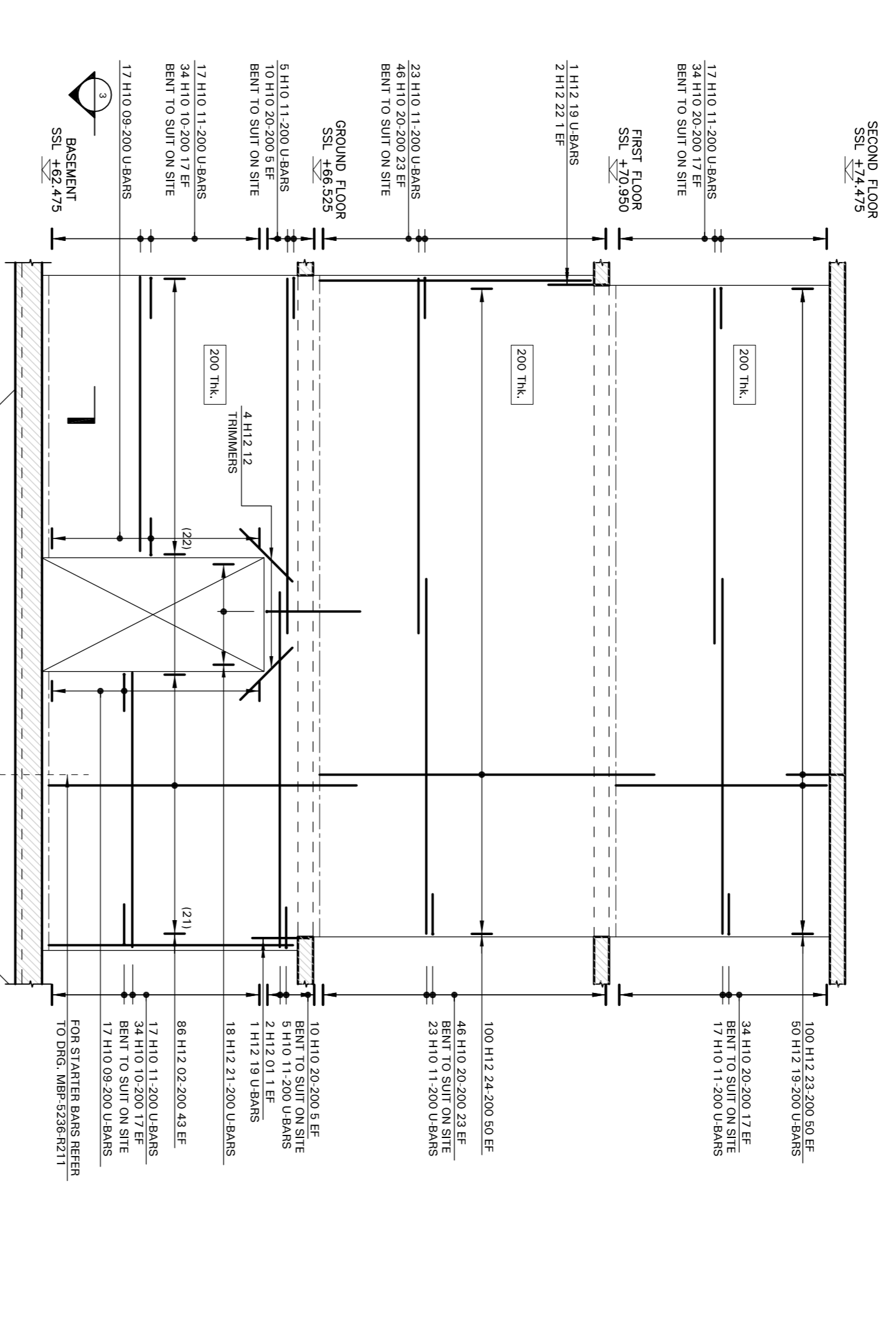
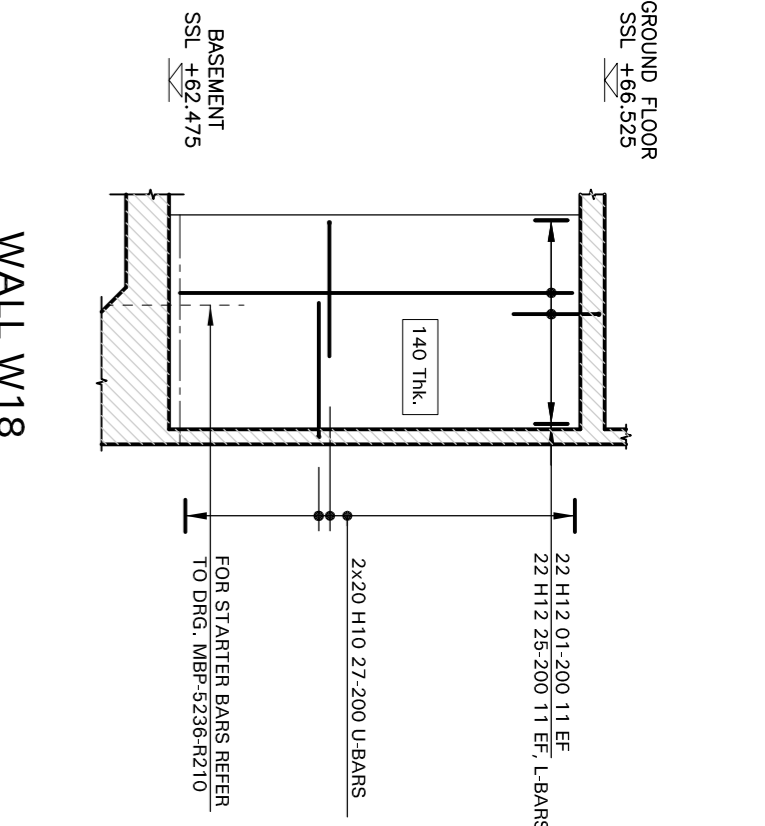
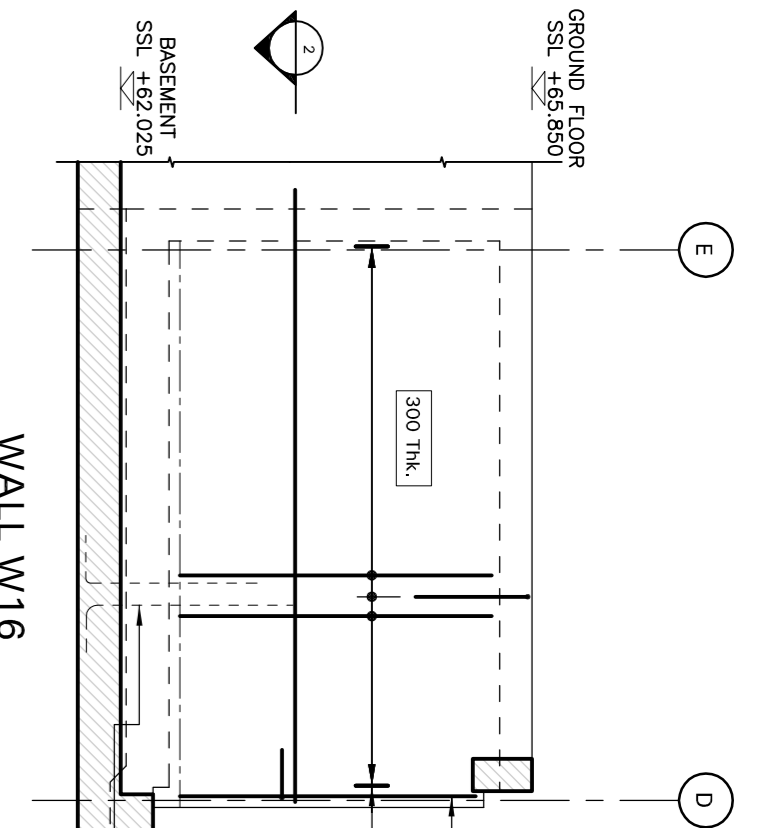
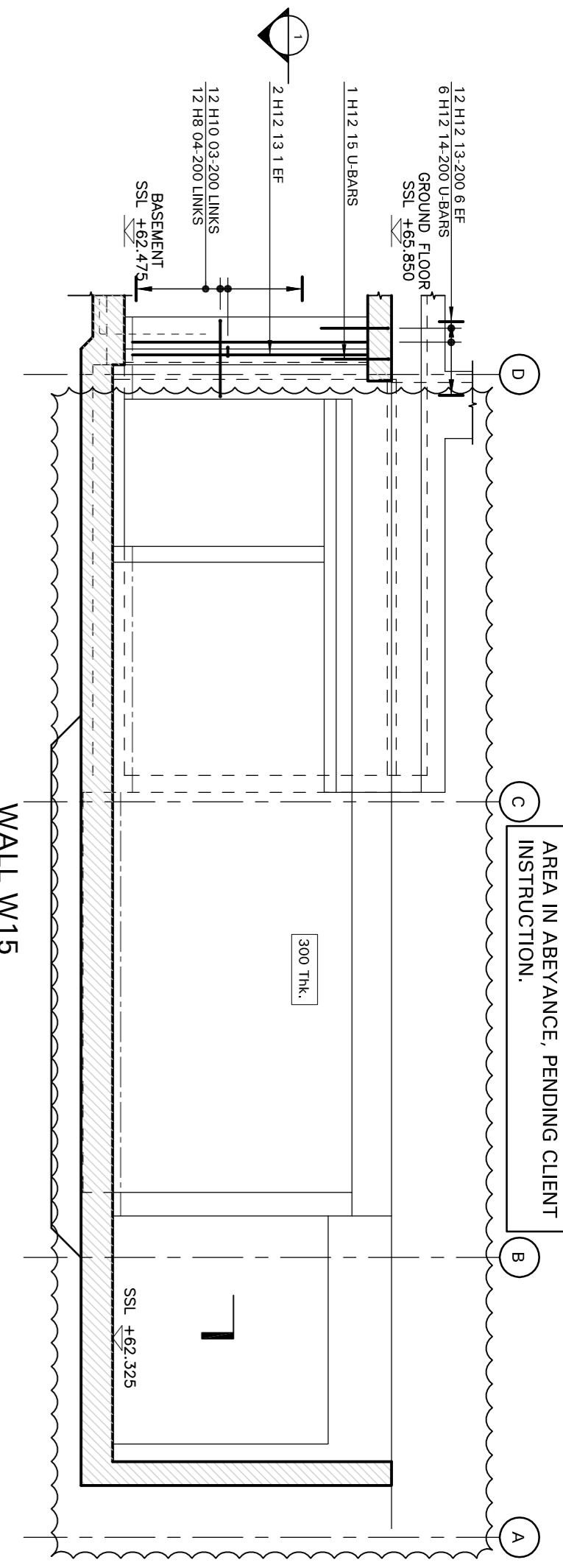


NOTES:
 1. THIS DRAWING TO BE READ IN CONJUNCTION WITH THE ARCHITECTURAL DRAWINGS AND SPECIFICATIONS.
 2. DO NOT SCALE THE DRAWING.
 3. CONCRETE TO BE SUPPLIED TO BE AS PER SPECIFICATION.
 4. CONCRETE TO BE GRAD - C25/30
 5. REINFORCEMENT TYPE - HYPERBOLIC
 6. REINFORCEMENT TYPE - HYPERBOLIC
 7. REINFORCEMENT TYPE - HYPERBOLIC
 8. REBAR CALL UP - 5236/4215 01 TO 04 MCL
 9. BARS TO BE SURFACELY ADJUSTED OUT AROUND CUTOUTS TO SUIT AT SITE.
 10. LEGEND -
 U.B. = U-BARS
 T.W. = TYPICAL
 M.F. = REBAR FACE
 S.F. = REBAR FACE
 S.S. = STRUCTURAL STEEL
 R.E.M.F. = REINFORCEMENT



Rev	Date	Description	By	Check
1	12/01/2023	CONSTRUCTION	W1	W1

CONSTRUCTION
 W1 - WALLS
 W2 - WALLS
 W3 - WALLS
 W4 - WALLS
 W5 - WALLS
 W6 - WALLS
 W7 - WALLS
 W8 - WALLS
 W9 - WALLS
 W10 - WALLS
 W11 - WALLS
 W12 - WALLS
 W13 - WALLS
 W14 - WALLS
 W15 - WALLS
 W16 - WALLS
 W17 - WALLS
 W18 - WALLS
 W19 - WALLS
 W20 - WALLS
 W21 - WALLS

CROSS-SECTIONS
 CS1 - CROSS SECTION 1
 CS2 - CROSS SECTION 2
 CS3 - CROSS SECTION 3
 CS4 - CROSS SECTION 4
 CS5 - CROSS SECTION 5

KEY PLAN
 KP1 - KEY PLAN

FOR OTHER WALLS REFER TO DRG. 5236/R210 & R211
 FOR STARTER BARS REFER TO DRG. 5236/R210 & R211

Title: WALLS
 No: 5236 / R215
 Date: 2023-12-01
 Project: [Project Name]
 Drawing Number: 5236 / R215
 Revision: C1