

COLUMN TYPE C2.1
(2 NO. THUS)
SCALE 1:50

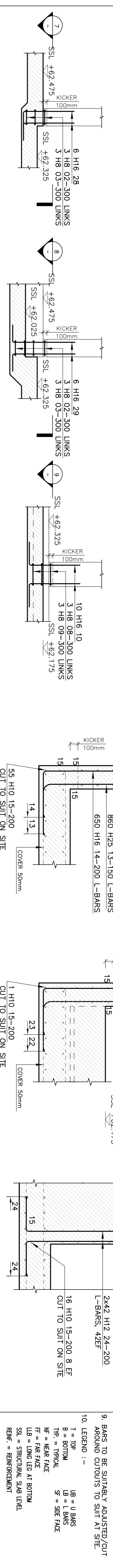
COLUMN TYPE C2.2
(2 NO. THUS)
SCALE 1:50

COLUMN TYPE C5
(1 NO. THUS)
SCALE 1:50

COLUMN TYPE C6.1
(2 NO. THUS)
SCALE 1:50

COLUMN TYPE C6.2
(1 NO. THUS)
SCALE 1:50

COLUMN TYPE C6.3
(4 NO. THUS)
SCALE 1:50



COLUMN TYPE C6.4
(1 NO. THUS)
SCALE 1:50

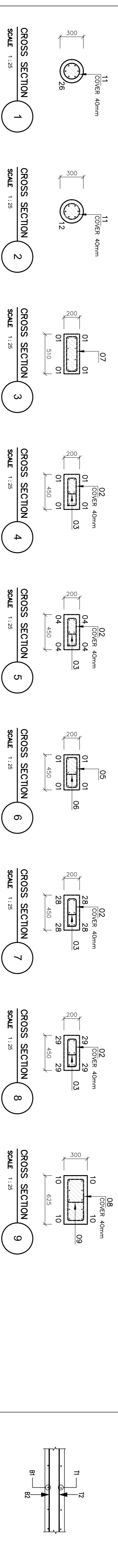
COLUMN TYPE C6.5
(1 NO. THUS)
SCALE 1:50

COLUMN TYPE C7
(1 NO. THUS)
SCALE 1:50

RW TYPE 1
TYPICAL SECTION (126.6m)
SCALE 1:25

RW TYPE 1a
TYPICAL SECTION (2.1m)
SCALE 1:25

WALL STARTER BARS WS1
TYPICAL SECTION (7.8m)
SCALE 1:25



CROSS SECTION 1
SCALE 1:25

CROSS SECTION 2
SCALE 1:25

CROSS SECTION 3
SCALE 1:25

CROSS SECTION 4
SCALE 1:25

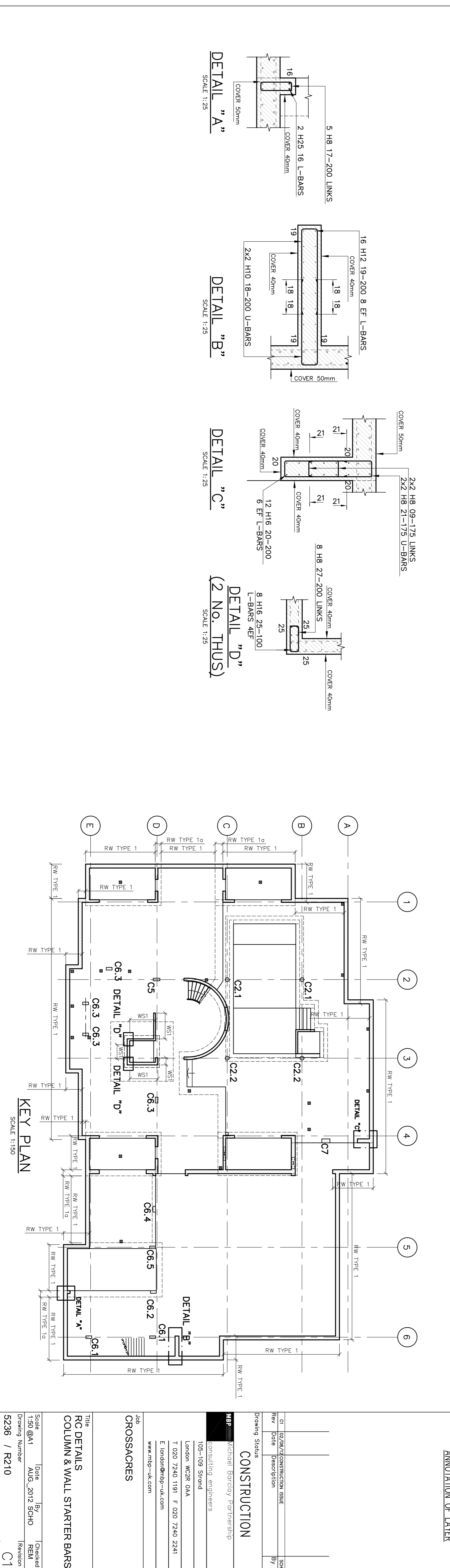
CROSS SECTION 5
SCALE 1:25

CROSS SECTION 6
SCALE 1:25

CROSS SECTION 7
SCALE 1:25

CROSS SECTION 8
SCALE 1:25

CROSS SECTION 9
SCALE 1:25



DETAIL "A"
SCALE 1:25

DETAIL "B"
SCALE 1:25

DETAIL "C"
SCALE 1:25

DETAIL "D"
(2 NO. THUS)
SCALE 1:25

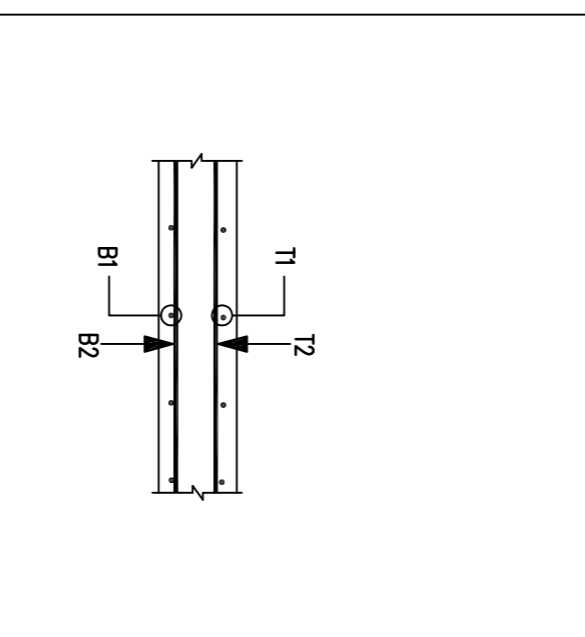
KEY PLAN
SCALE 1:150

NOTES:
1. THIS DRAWING TO BE READ IN CONJUNCTION WITH ALL RELEVANT CONTRACT DOCUMENTS AND ENGINEERS DRAWINGS AND SPECIFICATIONS.
2. DO NOT SCALE THE DRAWING
3. COVER TO REINFORCEMENT TO BE AS FOLLOWS :-
SLAB TOP = 40mm, UNO.
SLAB BOTTOM = 50mm, UNO.
COLUMN = 25mm, UNO.
WALL = 40mm, UNO.
RETAINING WALL INNER = 25mm, UNO.
RETAINING WALL OUTER = 40mm, UNO.
4. CONCRETE TO BE GRADE - C32/40
STEEL GRADE - S5008

5. REINFORCEMENT TYPE H-TYPE 2 DEFORMED BARS
6. MINIMUM LAP LENGTH SHOULD BE AS FOLLOWS
H 8 = 325mm
H 10 = 400mm
H 12 = 500mm
H 16 = 650mm
H 20 = 800mm
H 25 = 1000mm
H 28 = 1300mm
H 32 = 1600mm

7. ALL REINFORCEMENT DETAILED ON THIS IS LISTED ON BENDING SCHEDULE :-
S236-R210 01 TO 03 INCL.
8. REBAR CALL UP no. of bars bar dia spacing
8 - H16 - 42 - 150 - T1
Type bar mark layer

9. BARS TO BE SUITABLY ADJUSTED/CUT AROUND CUTOUTS TO SUIT AT SITE.
10. LEGEND :-
T = TOP
B = BOTTOM
TP = TYPICAL
NF = NEAR FACE
FF = FAR FACE
LB = LONG LEG AT BOTTOM
SSL = STRUCTURAL SLAB LEVEL
REIN. = REINFORCEMENT



CONSTRUCTION

CI	02/08/23	CONSTRUCTION ISSUE	
Rev	Date	Description	By

Drawing Status

MHP
Michael Barclay Partnership
Consulting engineers
105-109 Strand
London WC2R 0AA
T 020 7240 1191 F 020 7240 2241
E london@mhp-uk.com
www.mhp-uk.com

CROSSACRES

Title	RC DETAILS COLUMN & WALL STARTER BARS
Scale	1:50 @A1
Drawing Number	5236 / R210
Date	AUG. 2012
By	SCHD
Checked	REIN
Revision	