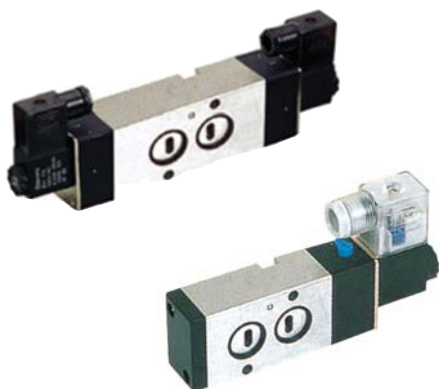


The M4M-Series NAMUR Solenoid actuated valves provide an extensive range of flow options at low prices. The range may be used Lubrication free and be Manifold Mounted for multi-task applications. The Solenoid versions feature interchangeable coils and push/twist—lock Manual Overrides.

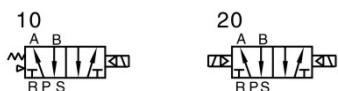
Specification



Model	4M110-M5 4M120-M5	4M110-06 4M120-06	4M210-06 4M220-06	4M210-08 4M220-08	4M310-08 4M320-08	4M310-10 4M320-10
Fluid	Air (to be filtered by 40um filter element)					
Acting	Internal piloted					
Port size ①	In=Exhaust= M5	In=Exhaust= 1/8"	In=Exhaust= 1/8"	In=1/4" Exhaust=1/8"	In=Exhaust =1/4"	In=3/8" Exhaust=1/4"
Orifice size	5.5mm ² (Cv=0.31)	12.0mm ² (Cv=0.67)	14.0mm ² (Cv=0.78)	16.0mm ² (Cv=0.89)	25.0mm ² (Cv=1.40)	30.0mm ² (Cv=1.68)
Valve type	5 port 2 position					
Operating pressure	0.15-0.8MPa(21-114Psi)					
Proof pressure	1.5MPa(215Psi)					
Temperature °C	-20-70					
Material of body	Aluminum alloy					
Lubrication ②	Not required					
Max. frequency ③	5 cycle / sec				4 cycle / sec	
Weight g	4M110:120; 4M120:175		4M210:220; 4M220:320		4M310:310; 4M320:400	

1. G (BSP) and M5 threads are standard (NPT threads are available as an option on request)
2. If lubrication is preferred, lubricants similar to ISO VG32 or equivalent are recommended.
3. The maximum actuation frequency is for the valve only (no load condition).

Symbols



Coil Specification

Item	Specification
Standard voltage	AC220V、AC110V、AC24V、DC24V、DC12V
Scope of voltage	AC: ± 15% DC: ± 10%
Power consumption	AC: 3.5VA DC : 3.0W
Protection	IP65 (DIN40050)
Temperature classification	B Class
Electrical entry	Terminal、Grommet
Activating time	0.05 sec and below

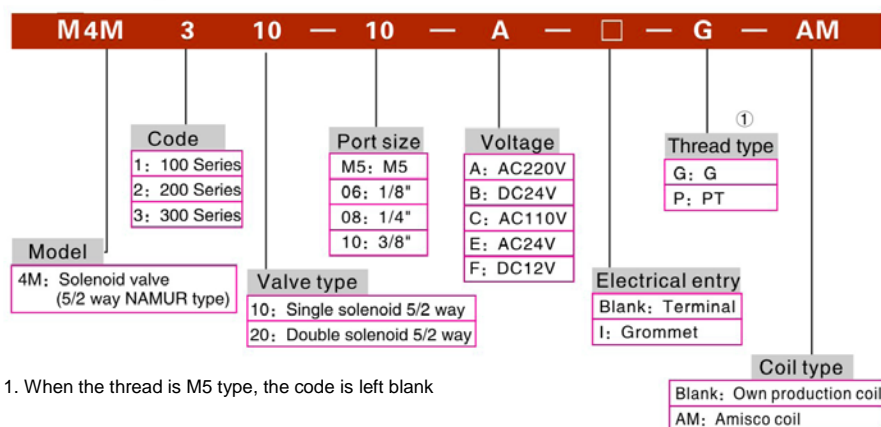
Product Features

1. Internally pilot-oriented valve series.
2. Spool type, with low leakage and low friction action.
3. 5/3 valves have a choice of three centre functions.
4. 5/2 double solenoid valves have position memory using seal friction to retain the spool position.
5. Special manufacturing techniques ensure low start pressure and long service life.
6. Maybe used lubrication free.
7. The valve range may be manifold mounted for space saving and to reduce installation costs.
8. Push/twist-lock Manual Overrides are standard to assist with installation testing and debugging.
9. Several standard voltages are available with interchangeable coils.

Flow Charts

Please refer to the equivalent series in the M4V solenoid valve range for the flow charts

Model/Ordering Codes



Dimensions

