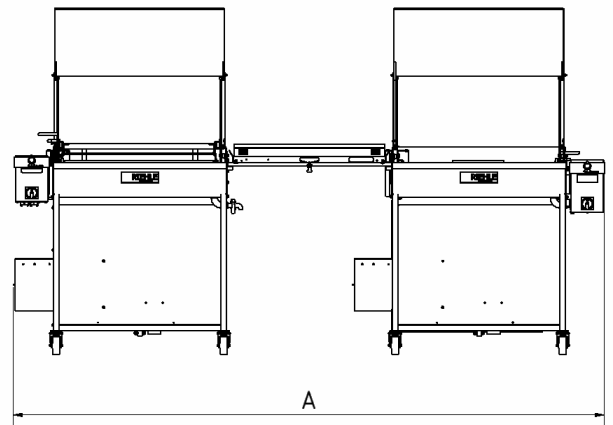
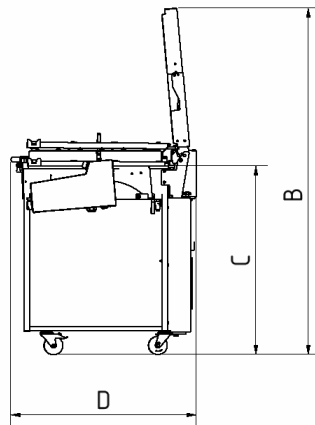


Automatic deep fryer Linie 2000A Vario Station



| Technical details | size 36 | size 48 | size 60 |
|---|-----------------------|-----------------------|-----------------------|
| Length (A) | 2560 mm | 3170 mm | 3760 mm |
| Height (B) | 1900 mm | 1900 mm | 1900 mm |
| Height (C) | 1050 mm | 1050 mm | 1050 mm |
| Width (D) | 990 mm | 990 mm | 990 mm |
| Weight – empty | ca. 250 kg | ca. 270 kg | ca. 290 kg |
| Voltage | 230/400V-50Hz | 230/400V-50Hz | 230/400V-50Hz |
| Power heater Power prove chamber heater | 2x6,0 kW 2x0,95 kW | 2x7,5 kW 2x0,95 kW | 2x9,0 kW 2x0,95 kW |
| Connection | 2xCEE 400V 16A | 2xCEE 400V 16A | 2xCEE 400V 16A |
| Lift motor | 2x0,1 kW | 2x0,1 kW | 2x0,1 kW |
| Filling quantity | 2x34 ltr / 31kg | 2x42 ltr / 39kg | 2x49 ltr / 46kg |
| Internal measurements fat vat | 685 x 725 mm | 885 x 725 mm | 1085 x 725 mm |



Technical modifications could be subject to change without prior notice. 13.12.11



**Riehle Maschinenbau
GmbH**

Heinrich-Rieger-Str. 5
D-73430 Aalen

phone: +49 (0)7361-5580-0
fax: +49 (0)7361-5580-2281

info@riehle.de
www.riehle.de
www.locklauge.de