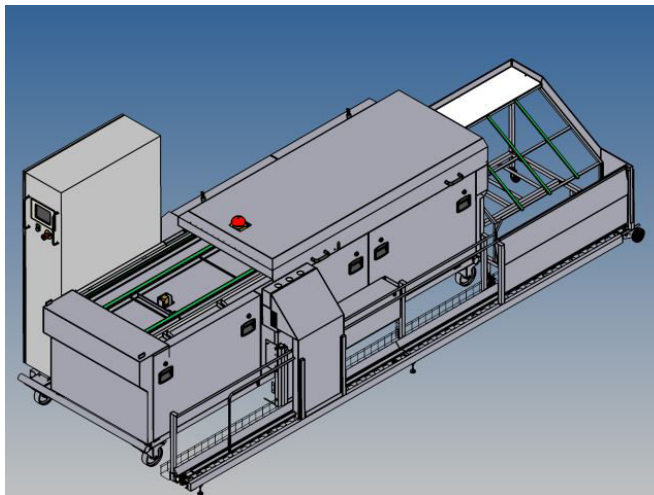


The new
Tray Washing Machine
BWM Industry

Efficient wet cleaning of baking trays
Be it rimless or 4-rim trays,
the new BWM Industry cleans them all up



Tray washing machine BWM Industry

The trays are hygienically cleaned and dried in a continuous process with three zones.

Usable Tray sizes:

- 400 x 600 mm
- 580 x 780 mm
- 600 x 800 mm
- 580 x 980 mm
- 600 x 1000 mm

Rimless or up to 4 rims

Rim height up to 25 mm

Continuous flow heater for clear rinse water

Connection for hot tap water up to 80°C

Washing temperature up to 80°C

Sensor controlled dosing of water and detergent

Tray drying by professional air knife system

Fan-less drives and pumps

Glass-Touch-Panel-Control

- insensitive to dirt, water & oil
- various washing programs
- Setting and monitoring of temperatures
- tray feed rate
- brush velocities
- Logging and error monitoring
- Network connection

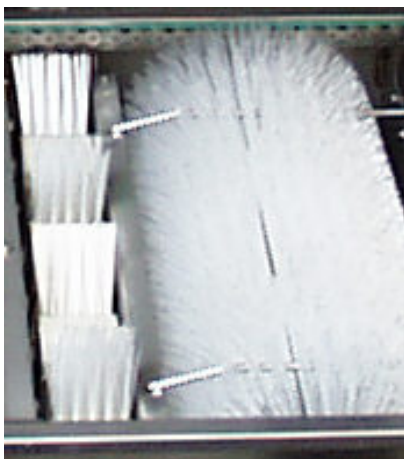
Performance: up to 600 trays/h

Dimensions (L x W x H incl control cabinet):
 w/o return belt: approx 3500 x 1300 x 1850 mm
 with return belt: approx 5000 x 1600 x 1850 mm

Power consumption: : 35 kW / 85A

Benefits of the BWM Industry

- Suitable for all kinds of trays: rimless, 2-rim, 3-rim and 4-rim
- Extended service life of trays and brushes thanks to the use of plastic brushes in combination with hot water
- Rotating brushes prevent the build-up of dirt
- This cleaning method supports HACCP regulations
- Thanks to the inbuilt water tank with coarse separator and contamination sensor, water and detergent are dosed according to requirements



Riehle Maschinenbau GmbH
 Heinrich-Rieger-Straße 5
 D-73430 Aalen

Tel. +49 (0) 7361-55 80-0
 Fax +49 (0) 7361-55 80-2281

info@riehle.de
 www.riehle.de
 www.locklauge.de

Options/Accessories:

- Tray Oiling Unit (KEG-System Boyens) with return belt
- Return belt w/o oiling
- Tray trolley