
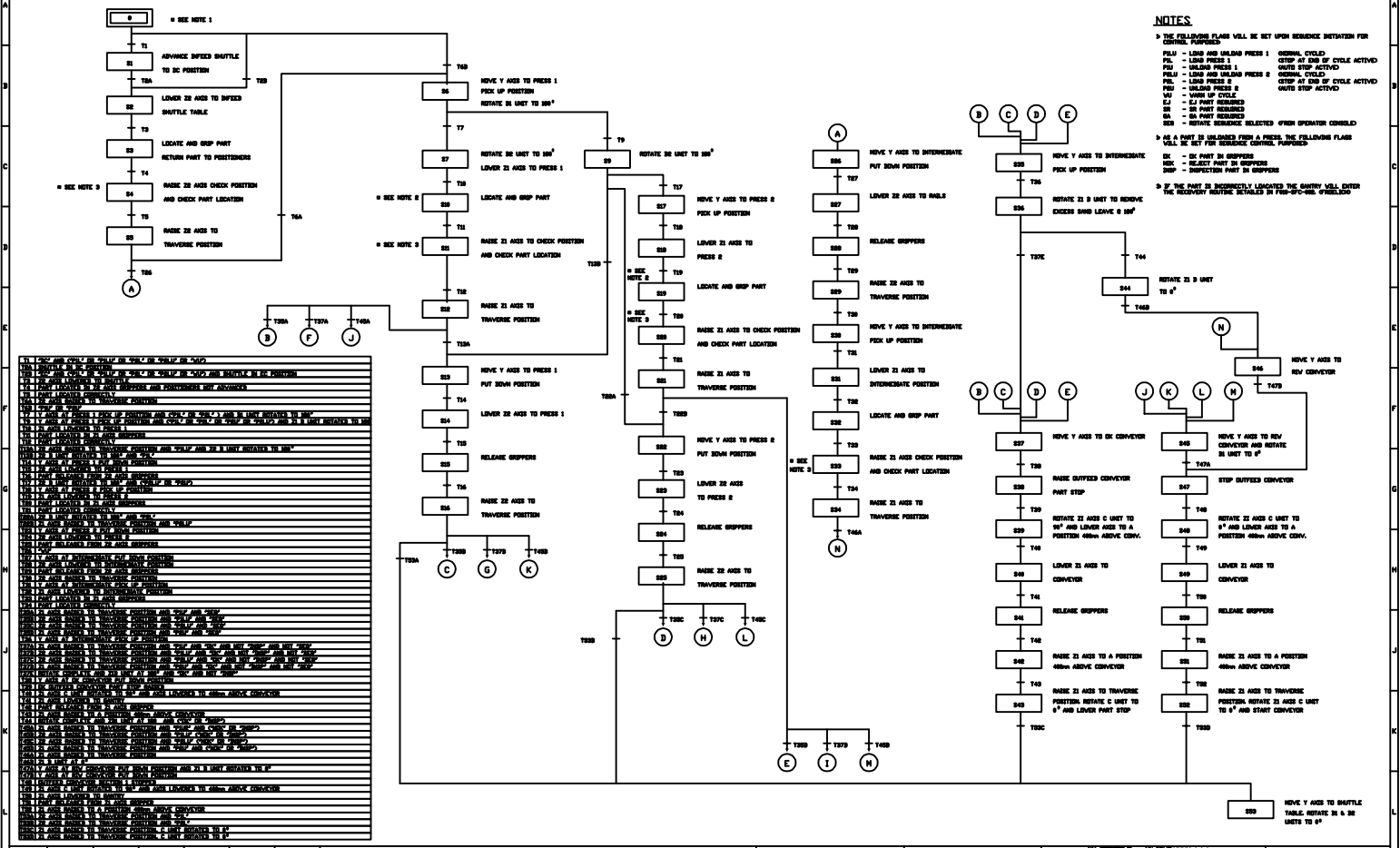


SHEET No TABLE OF CONTENTS

01	1	TITLE	01
	2	INDEX	
	3	INFORMATION	
02	4	PLC LAYOUT	02
	5	MACHINE LAYOUT	
	6 - 6B	CABLE INFORMATION	
	7 - 7B	PLUG AND SOCKET ASSIGNMENT	
03	8 - 12	CABLE PLAN	03
	13 - 19C	EARTHING DISTRIBUTION	
	20	INCOMING MAINS SUPPLY	
04	21	HEAT EXCHANGER,LIGHTING AND SOCKETS	04
	22	PLC SUPPLY DISTRIBUTION	
	23 - 27	415V DISTRIBUTION	
05	28 - 31	24V DC DISTRIBUTION	05
	32 - 33	GRIPPERS FAILED SAFETY CIRCUITS	
	34 - 34A	EMERGENCY STOP SCHEMATIC	
	35 - 39	CABLES CONNECTED CIRCUITS	
06	40 - 40B	EMERGENCY STOP BUTTON INTERCONNECTIONS	06
	41 - 41C	OVERHEAD GUARD SCHEMATIC	
	42 - 43	GUARD SCHEMATIC	
07	44	CONTROL ON SCHEMATIC	07
	45	OVERRUN CIRCUIT SCHEMATIC	
	45A	ALARM CIRCUIT SCHEMATIC	
08	45B	SERVO POWER ENABLE	08
	46	HARDWIRE AXIS CONTROL	
	46A	INSPECTION AREA TWO HAND OPERATION	
09	47 - 50	PRESS 1 INTERFACE SIGNALS	09
	51 - 54	PRESS 2 INTERFACE SIGNALS	
	54A	HEAT TREATMENT TO GANTRY INTERFACE SIGNALS	
	55 - 64	AXIS CONTROL WIRING	
10	65 - 68	SPARE SHEETS	10
	69	24V DC DISTRIBUTION TO I/O	
	70 - 74	MAIN CABINET CONTROL INPUTS	
11	75 - 76	MAIN CABINET CONTROL OUTPUTS	11
	77 - 78	MAIN CABINET INDRAMAT CONTROL INPUTS	
	79	REMOTE I/O INTERFACE RM201	
	80	MAIN CABINET SOLENOID OUTPUTS	
12	81 - 83	MAIN CABINET SWITCH INPUTS	12
	84	MAIN CABINET INDRAMAT CONTROL OUTPUTS	
	85	SPARE SLOT	
13	86 - 87	MAIN CABINET CONVEYOR SWITCH INPUTS	13
	88	MAIN CABINET CONVEYOR OPERATION OUTPUTS	
	89	MAIN CABINET CONVEYOR LAMP OUTPUTS	
14	90 - 93	REMOTE RACK SWITCH INPUTS	14
	94 - 95	REMOTE RACK SWITCH INPUTS	
	96	REMOTE RACK LAMP OUTPUTS	
	97	REMOTE RACK OPERATION OUTPUTS	
15	98	SPARE SLOT	15
	99	RS232C INTERFACE LK201	
	100 -103	CABINET CONSTRUCTION	
16	104 -106	BACKPANEL LAYOUT	16
	107 -108	OPERATOR CONSOLE LAYOUT	
	109	MANUAL INSPECTION AREA PUSHBUTTON LAYOUT	
17	109A	TEACH PENDANT CONNECTIONS	17
	110	DIAGNOSTICS PANEL LAYOUT	
	110A -148	STOCKLISTS	

REV./DATE	APRIL 95	1-19/08/96	SCALE N.T.S	CLIENT:- NMUK Ltd.	 SILVERTECH SYSTEMS DESIGNERS & CONTROL ENGINEERS TEL. (01524) 846772	SHEET
DRAWN	P.D (JWF)	R.MAUN	SIZE A3	TITLE:- DE-FLASHING PRESS GANTRY LOADER INDEX SHEET		
CHECKED	G.B (JWF)		TOLERANCE	©THIS DRAWING IS THE PROPERTY OF SILVERTECH (NORTHERN) LTD. IT IS SUPPLIED IN CONFIDENCE & MAY NOT BE COPIED OR EXHIBITED WITHOUT WRITTEN PERMISSION.	DRAWN R.M	CHECKED D.P
APPROVED			ALL DIMENSIONS IN MILLIMETRES UNLESS OTHERWISE STATED			
ECN No.	F010-401-AB	043NDX01.DWG		APPROVED DATE: 19/08/96	DOCUMENT No. 0043/INDEX/001	2/3



NOTES

1. THE FOLLOWING FLAME VALL BE SET UPON SEQUENCE DETECTION FOR CORRECT PURPOSES

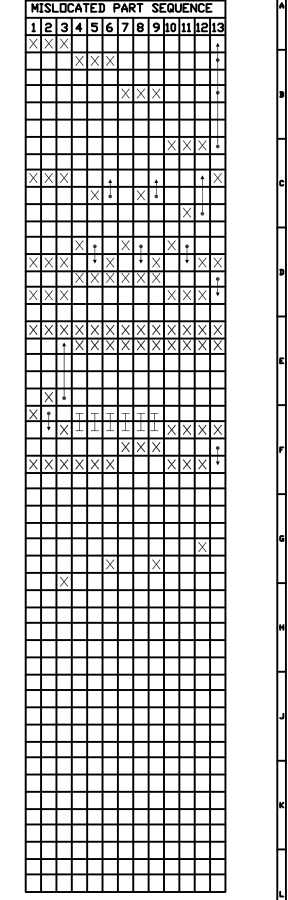
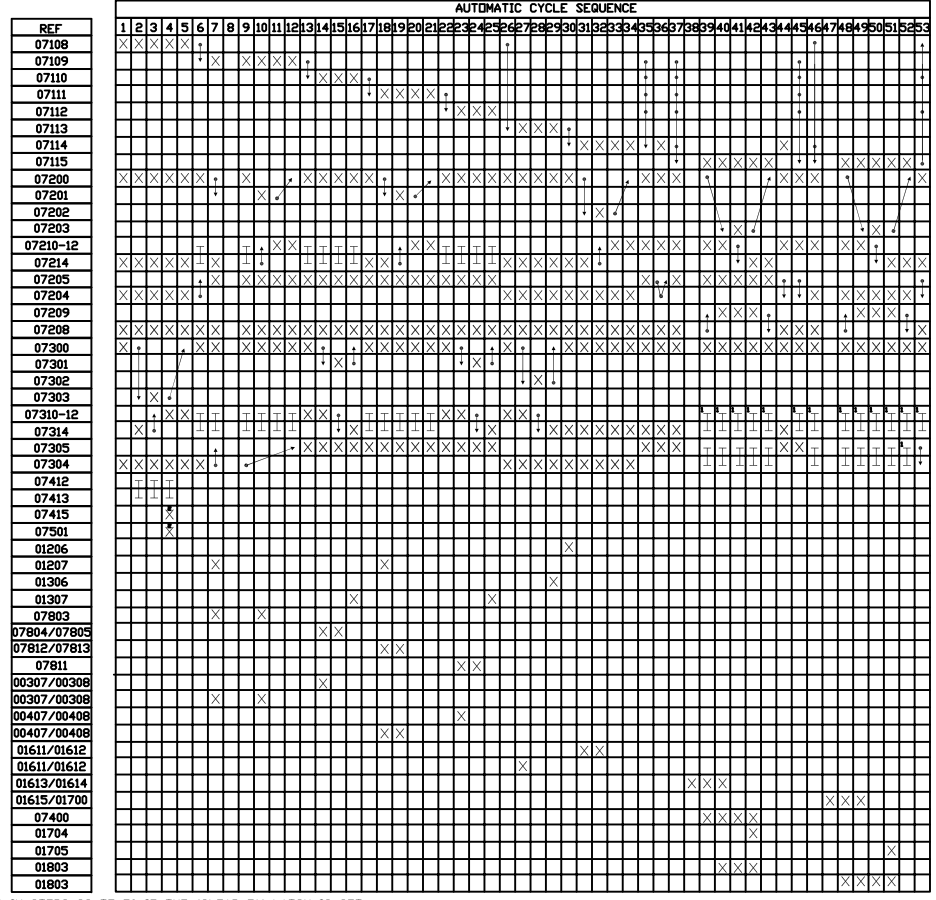
2. THE FOLLOWING FLAME VALL BE SET UPON SEQUENCE DETECTION FOR CORRECT PURPOSES

3. IF A PART IS UNLOADED FROM A PRESS, THE FOLLOWING FLAME VALL BE SET FOR SEQUENCE CONTROL PURPOSES

4. IF THE PART IS INCORRECTLY LOADED THE SAFETY WILL ENTER THE RECOVERY ROUTINE DETAIL IN P&ID-001-WAREHOUSE

REV	DATE	BY	CHKD	APPV	DESCRIPTION
1	03-06/08/95	PROBLECH	RAMUN		
2					
3					
4					
5					
6					
7					
8					
9					
10					
11					
12					
13					
14					
15					
16					
17					
18					
19					
20					
21					
22					
23					
24					
25					
26					
27					
28					
29					
30					
31					
32					
33					
34					
35					
36					
37					
38					
39					
40					
41					
42					
43					
44					
45					
46					
47					
48					
49					
50					
51					
52					
53					
54					
55					
56					
57					
58					
59					
60					
61					
62					
63					
64					
65					
66					
67					
68					
69					
70					
71					
72					
73					
74					
75					
76					
77					
78					
79					
80					
81					
82					
83					
84					
85					
86					
87					
88					
89					
90					
91					
92					
93					
94					
95					
96					
97					
98					
99					
100					

INTERLOCK	REF
Y AXIS AT SHUTTLE TABLE	07108
Y AXIS AT PRESS 1 PICK UP	07109
Y AXIS AT PRESS 1 PUT DOWN	07110
Y AXIS AT PRESS 2 PICK UP	07111
Y AXIS AT PRESS 2 PUT DOWN	07112
Y AXIS AT INTERMEDIATE PUT DOWN	07113
Y AXIS AT INTERMEDIATE PICK UP	07114
Y AXIS AT OUTFEED	07115
Z1 AXIS AT TRAVERSE	07200
Z1 AXIS AT PRESS	07201
Z1 AXIS AT INTERMEDIATE	07202
Z1 AXIS AT CONVEYOR	07203
Z1 GRIPPER ADVANCED	07210-12
Z1 GRIPPER RETURNED	07214
Z1 B UNIT ADVANCED (180°)	07205
Z1 B UNIT RETURNED (0°)	07204
Z1 C UNIT ADVANCED (90°)	07209
Z1 C UNIT RETURNED (0°)	07208
Z2 AXIS AT TRAVERSE	07300
Z2 AXIS AT PRESS	07301
Z2 AXIS AT INTERMEDIATE	07302
Z2 AXIS AT SHUTTLE	07303
Z2 GRIPPER ADVANCED	07310-12
Z2 GRIPPER RETURNED	07314
Z2 B UNIT ADVANCED (180°)	07305
Z2 B UNIT RETURNED (0°)	07304
SHUTTLE AT DC POSITION	07412
SHUTTLE AT EC POSITION	07413
DC POSITIONER NOT ADVANCED	07415
EC POSITIONER NOT ADVANCED	07501
Z1 AXIS SPRING PLATE CLEAR AT (0°)	01206
Z1 AXIS SPRING PLATE CLEAR AT (180°)	01207
Z2 AXIS SPRING PLATE CLEAR AT (0°)	01306
Z2 AXIS SPRING PLATE CLEAR AT (180°)	01307
UNLOAD REQUEST FROM PRESS 1	07803
LOAD REQUEST FROM PRESS 1	07804/07805
UNLOAD REQUEST FROM PRESS 2	07812/07813
LOAD REQUEST FROM PRESS 2	07811
PART IN PRESS 1	00307/00308
NO PART IN PRESS 1	00307/00308
PART IN PRESS 2	00407/00408
NO PART IN PRESS 2	00407/00408
PART AT INTERMEDIATE POSITION	01611/01612
NO PART AT INTERMEDIATE POSITION	01611/01612
OK TRACK PUT DOWN AREA CLEAR	01613/01614
RIV TRACK PUT DOWN AREA CLEAR	01615/01700
OK CONVEYOR STOP 1 RAISED	01700
PART DETECTED AT OK CONVEYOR STOP 1	01704
GRIPPERS CLEARED AT RIV TRACK	01705
OK CONVEYOR SECTION 1 RUNNING	01803
OK CONVEYOR SECTION 1 STOPPED	01803



1
2
3
4
5
6
7
8
9
10
11
12
13
14
15
16
17

1
2
3
4
5
6
7
8
9
10
11
12
13
14
15
16
17

CUSTOMER:

NISSAN MOTOR MANUFACTURING
(UK) LTD.

PROJECT:

FLASHING PRESS GANTRY AUTOMATION

DESIGNED AND MANUFACTURED BY:

JW FROEHLICH
(UK) LTD.

JW FROEHLICH (UK) LTD
SABLE WAY
SOUTHFIELDS BUSINESS PARK
LAINDON
ESSEX
SS15 6TU
ENGLAND

TEL:01268 492522
FAX:01268 492469

CHECKED BY (JWF)	SIGNATURE	DATE	NAME
APPROVED BY (NISSAN)	SIGNATURE	DATE	NAME

N.M.U.K. PLANT ENGINEERING INFORMATION

VOLTAGE :	415 V	3 PH.	POWER REQUIREMENT :	40A
D.B. BOARD No. :	DB P-SD29	PSCC/KA :	8.3 KA	Ze : 0.05
EXISTING LOAD ON CIRCUIT :	N/A	A	C.B. No. :	4 R.Y.B
BUS BAR REFERENCE :	N/A	CABLE REF.No. :	LV11075	

Elect.	<input checked="" type="radio"/>
Hydr.	<input type="radio"/>
Pneum.	<input type="radio"/>
Lubr.	<input type="radio"/>
DATE	APRIL 95

DESIGN	P.D.	DRAWING No F010-401-AA
DRAWN	P.D.	
CHECKED	G.B.	
APPROVED		

FROEHLICH
FELSMAT
Automation & Engineering

NISSAN MOTOR MANUFACTURING
(UK) LIMITED No4870

DE-FLASHING PRESS GANTRY LOADER	
TITLE	SHEET
TITLE SHEET	1/2
	SHEET


JWF No.F010-4XX-001

SHEET No TABLE OF CONTENTS

1
2
3
4
5
6
7
8
9
10
11
12
13
14
15
16
17

1	4	1	TITLE
		2	INDEX
		3	INFORMATION
		4	PLC LAYOUT
		5	MACHINE LAYOUT
	6 -	6B	CABLE INFORMATION
	7 -	7B	PLUG AND SOCKET ASSIGNMENT
	8 -	12	CABLE PLAN
	13 -	19C	EARTHING DISTRIBUTION
		20	INCOMING MAINS SUPPLY
		21	HEAT EXCHANGER,LIGHTING AND SOCKETS
		22	PLC SUPPLY DISTRIBUTION
	23 -	27	415V DISTRIBUTION
	28 -	31	24V DC DISTRIBUTION
	32 -	33	GRIPPERS FAILED SAFETY CIRCUITS
	34 -	34A	EMERGENCY STOP SCHEMATIC
	35 -	39	CABLES CONNECTED CIRCUITS
	40 -	40B	EMERGENCY STOP BUTTON INTERCONNECTIONS
	41 -	41C	OVERHEAD GUARD SCHEMATIC
	42 -	43	GUARD SCHEMATIC
		44	CONTROL ON SCHEMATIC
		45	OVERRUN CIRCUIT SCHEMATIC
		45A	ALARM CIRCUIT SHEMATIC
		45B	SERVO POWER ENABLE
		46	HARDWIRE AXIS CONTROL
		46A	INSPECTION AREA TWO HAND OPERATION
	47 -	50	PRESS 1 INTERFACE SIGNALS
	51 -	54	PRESS 2 INTERFACE SIGNALS
		54A	HEAT TREATMENT TO GANTRY INTERFACE SIGNALS
	55 -	64	AXIS CONTROL WIRING
	65 -	68	SPARE SHEETS
		69	24V DC DISTRIBUTION TO I/O
	70 -	74	MAIN CABINET CONTROL INPUTS
	75 -	76	MAIN CABINET CONTROL OUTPUTS
	77 -	78	MAIN CABINET INDRAMAT CONTROL INPUTS
		79	REMOTE I/O INTERFACE RM201
		80	MAIN CABINET SOLENOID OUTPUTS
	81 -	83	MAIN CABINET SWITCH INPUTS
		84	MAIN CABINET INDRAMAT CONTROL OUTPUTS
		85	SPARE SLOT
	86 -	87	MAIN CABINET CONVEYOR SWITCH INPUTS
		88	MAIN CABINET CONVEYOR OPERATION OUTPUTS
		89	MAIN CABINET CONVEYOR LAMP OUTPUTS
	90 -	93	REMOTE RACK SWITCH INPUTS
	94 -	95	REMOTE RACK SWITCH INPUTS
		96	REMOTE RACK LAMP OUTPUTS
		97	REMOTE RACK OPERATION OUTPUTS
		98	SPARE SLOT
		99	RS232C INTERFACE LK201
	100 -	103	CABINET CONSTRUCTION
	104 -	106	BACKPANEL LAYOUT
	107 -	108	OPERATOR CONSOLE LAYOUT
		109	MANUAL INSPECTION AREA PUSHBUTTON LAYOUT
		109A	TEACH PENDANT CONNECTIONS
	110 -	148	STOCKLISTS

1
2
3
4
5
6
7
8
9
10
11
12
13
14
15
16
17

Elect. <input checked="" type="radio"/>	DESIGN P.D.										DE-FLASHING PRESS GANTRY LOADER	
Hydr. <input type="radio"/>	DRAWN P.D.										TITLE	SHEET 2/3
Pneum. <input type="radio"/>	CHECKED G.B.										INDEX SHEET	SHEET
Lubr. <input type="radio"/>	APPROVED	DRAWING No F010-401-AB										NISSAN MOTOR MANUFACTURING (UK) LIMITED No4870
DATE APRIL 95												SHEET

JWF No.F010-4XX-002

SHEET No TABLE OF CONTENTS


1
2
3
4
5
6
7
8
9
10
11
12
13
14
15
16
17

1		1	TITLE		1
			2	INDEX	
			3	INFORMATION	
			4	PLC LAYOUT	
			5	MACHINE LAYOUT	
			6 - 6B	CABLE INFORMATION	
			7 - 7B	PLUG AND SOCKET ASSIGNMENT	
			8 - 12	CABLE PLAN	
			13 - 19C	EARTHING DISTRIBUTION	
			20	INCOMING MAINS SUPPLY	
			21	HEAT EXCHANGER,LIGHTING AND SOCKETS	
			22	PLC SUPPLY DISTRIBUTION	
			23 - 27	415V DISTRIBUTION	
			28 - 31	24V DC DISTRIBUTION	
			32 - 33	GRIPPERS FAILED SAFETY CIRCUITS	
			34 - 34A	EMERGENCY STOP SCHEMATIC	
			35 - 39	CABLES CONNECTED CIRCUITS	
			40 - 40B	EMERGENCY STOP BUTTON INTERCONNECTIONS	
			41 - 41C	OVERHEAD GUARD SCHEMATIC	
			42 - 43	GUARD SCHEMATIC	
			44	CONTROL ON SCHEMATIC	
			45	OVERRUN CIRCUIT SCHEMATIC	
			45A	ALARM CIRCUIT SHEMATIC	
			45B	SERVO POWER ENABLE	
			46	HARDWIRE AXIS CONTROL	
			46A	INSPECTION AREA TWO HAND OPERATION	
			47 - 50	PRESS 1 INTERFACE SIGNALS	
			51 - 54	PRESS 2 INTERFACE SIGNALS	
			54A	HEAT TREATMENT TO GANTRY INTERFACE SIGNALS	
			55 - 59	AXIS CONTROL WIRING	
			60 - 61C	SERCOS DIGITAL I/O	
			62 - 64	AXIS CABLE CONNECTION SHEETS	
			65	SICK VISION SYSTEM WIRING SCHEMATIC	
			66 - 68	SPARE SHEETS	
			69	24V DC DISTRIBUTION TO I/O	
			70 - 74	MAIN CABINET CONTROL INPUTS	
			75 - 76	MAIN CABINET CONTROL OUTPUTS	
			77 - 78	MAIN CABINET INDRAMAT CONTROL INPUTS	
			79	REMOTE I/O INTERFACE RM201	
			80	MAIN CABINET SOLENOID OUTPUTS	
			81 - 83	MAIN CABINET SWITCH INPUTS	
			84	MAIN CABINET INDRAMAT CONTROL OUTPUTS	
			85	SPARE SLOT	
			86 - 87	MAIN CABINET CONVEYOR SWITCH INPUTS	
			88	MAIN CABINET CONVEYOR OPERATION OUTPUTS	
			89	MAIN CABINET CONVEYOR LAMP OUTPUTS	
			90 - 93	REMOTE RACK SWITCH INPUTS	
			94 - 95	REMOTE RACK SWITCH INPUTS	
			98	REMOTE RACK OPERATION OUTPUTS	
			98	SPARE SLOT	
			99	RS232C INTERFACE LK201	
			100 -103	CABINET CONSTRUCTION	
			104 -106	BACKPANEL LAYOUT	
			107 -108	OPERATOR CONSOLE LAYOUT	
			109	MANUAL INSPECTION AREA PUSHBUTTON LAYOUT	
			109A	TEACH PENDANT CONNECTIONS	
			110 -148	STOCKLISTS	

1
2
3
4
5
6
7
8
9
10
11
12
13
14
15
16
17

Elect.	<input checked="" type="radio"/>	DESIGN	P.D.
Hydr.	<input type="radio"/>	DRAWN	
Pneum.	<input type="radio"/>	CHECKED	
Lubr.	<input type="radio"/>	APPROVED	
DATE			APRIL 95

CHANGES	DATE	NAME	DATE	NAME	DATE	NAME	DATE	NAME	DATE	NAME
DRAWING No										
F010-401-AB										



FROEHLICH
FELSOMAT
Automation & Engineering

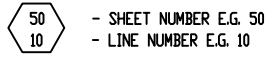
NISSAN MOTOR MANUFACTURING
(UK) LIMITED No4870

DE-FLASHING PRESS GANTRY LOADER	
TITLE	SHEET
INDEX SHEET	2/3
	SHEET

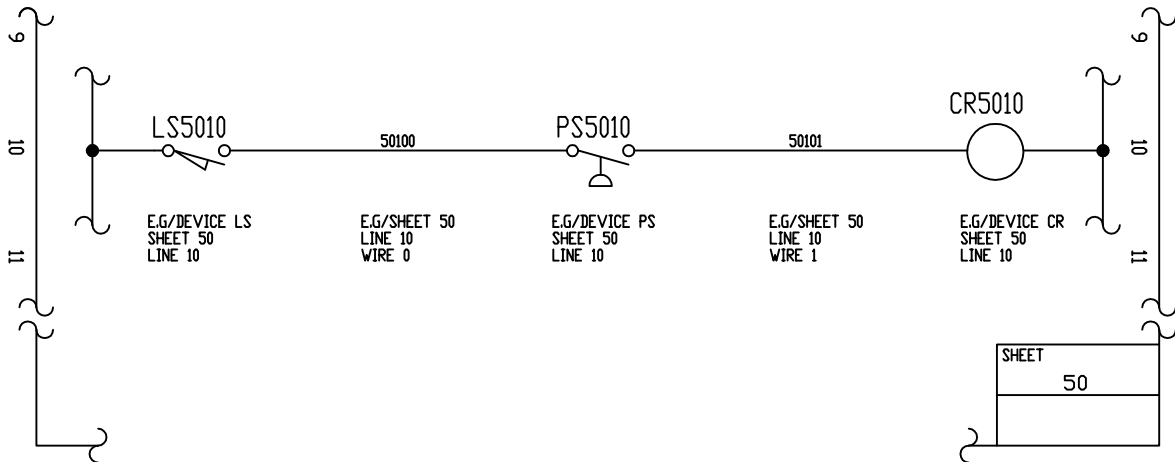
JWF No.F010-4XX-002

① ALL DRAWING SYMBOLS AND DEVICE IDENTIFICATION ACCORDING TO JIC

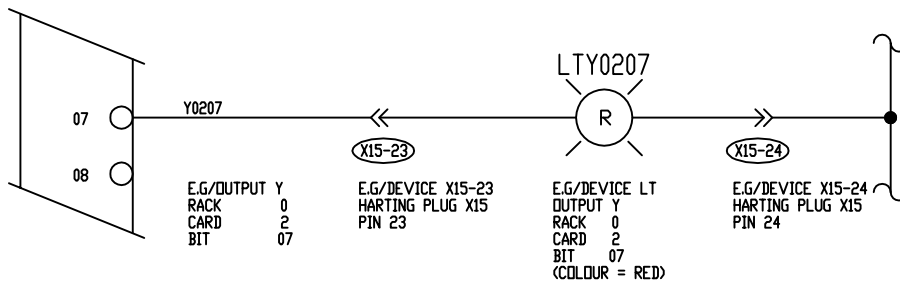
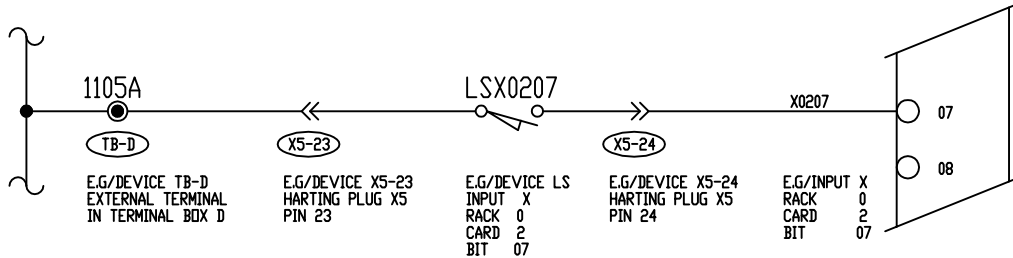
② CIRCUIT CROSS REFERENCE INFORMATION



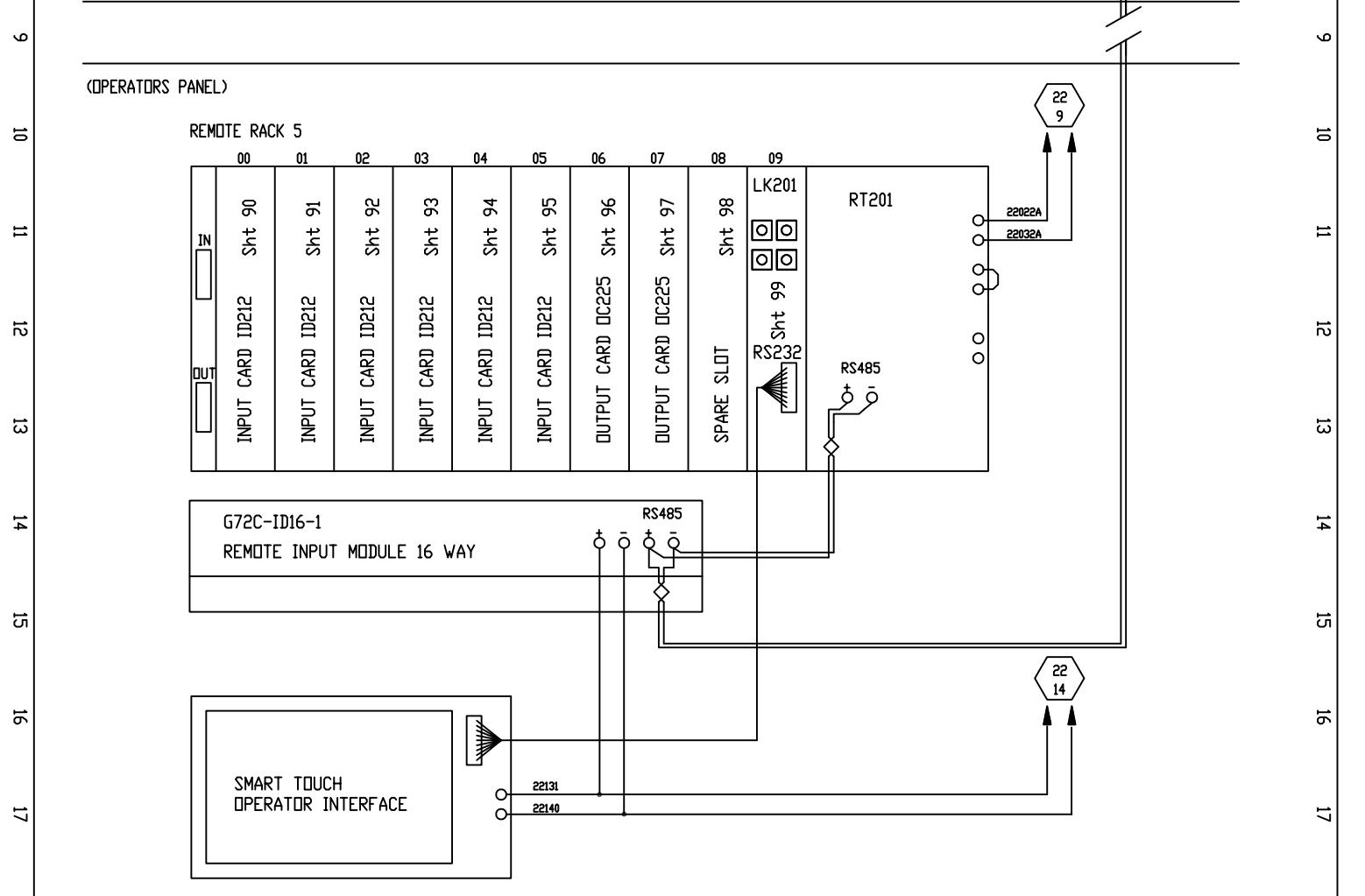
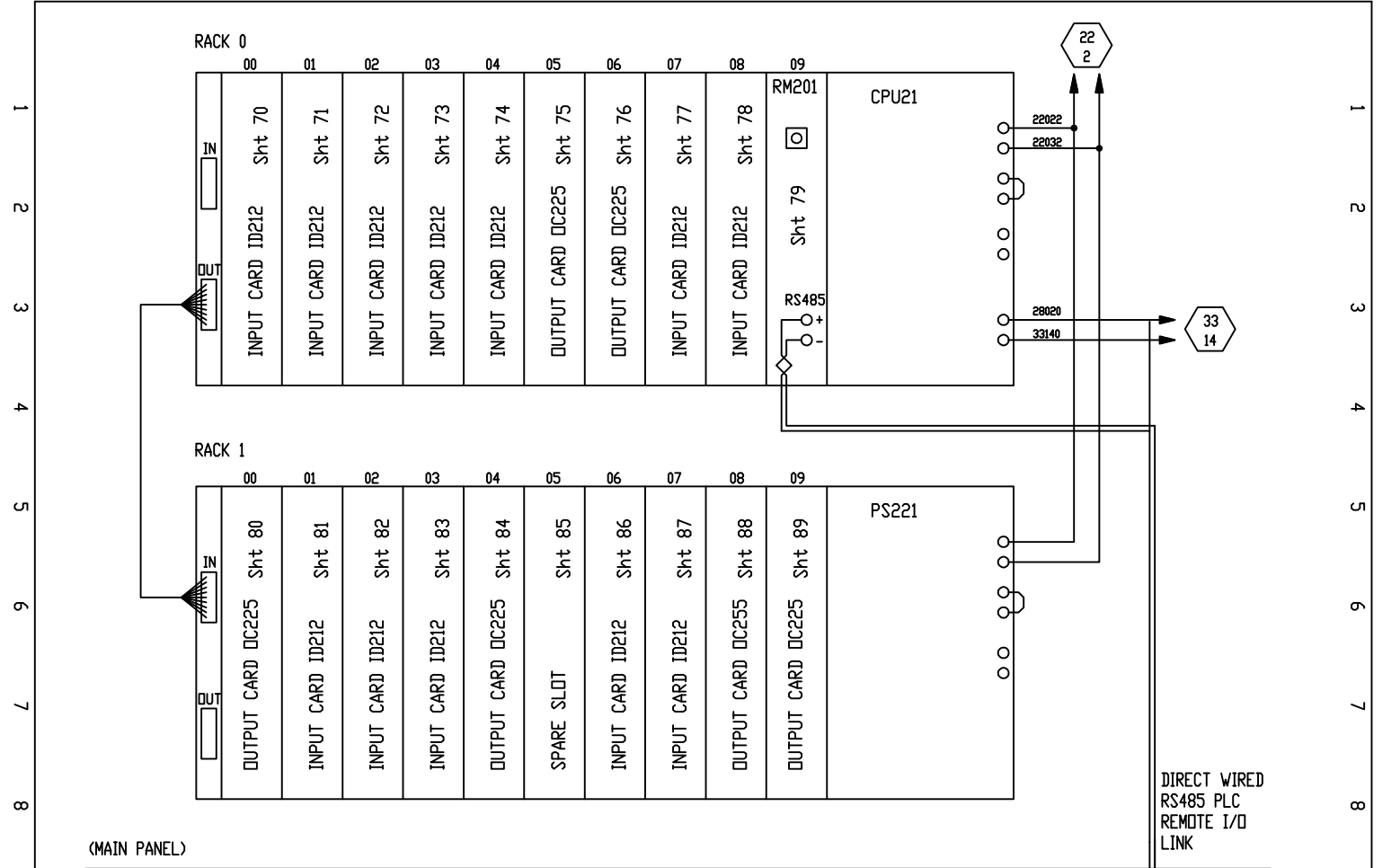
③ ALL DRAWING SYMBOLS AND DEVICE IDENTIFICATION ACCORDING TO JIC



④ COMMON PLC INPUT/OUTPUT DEVICE AND NUMBERING

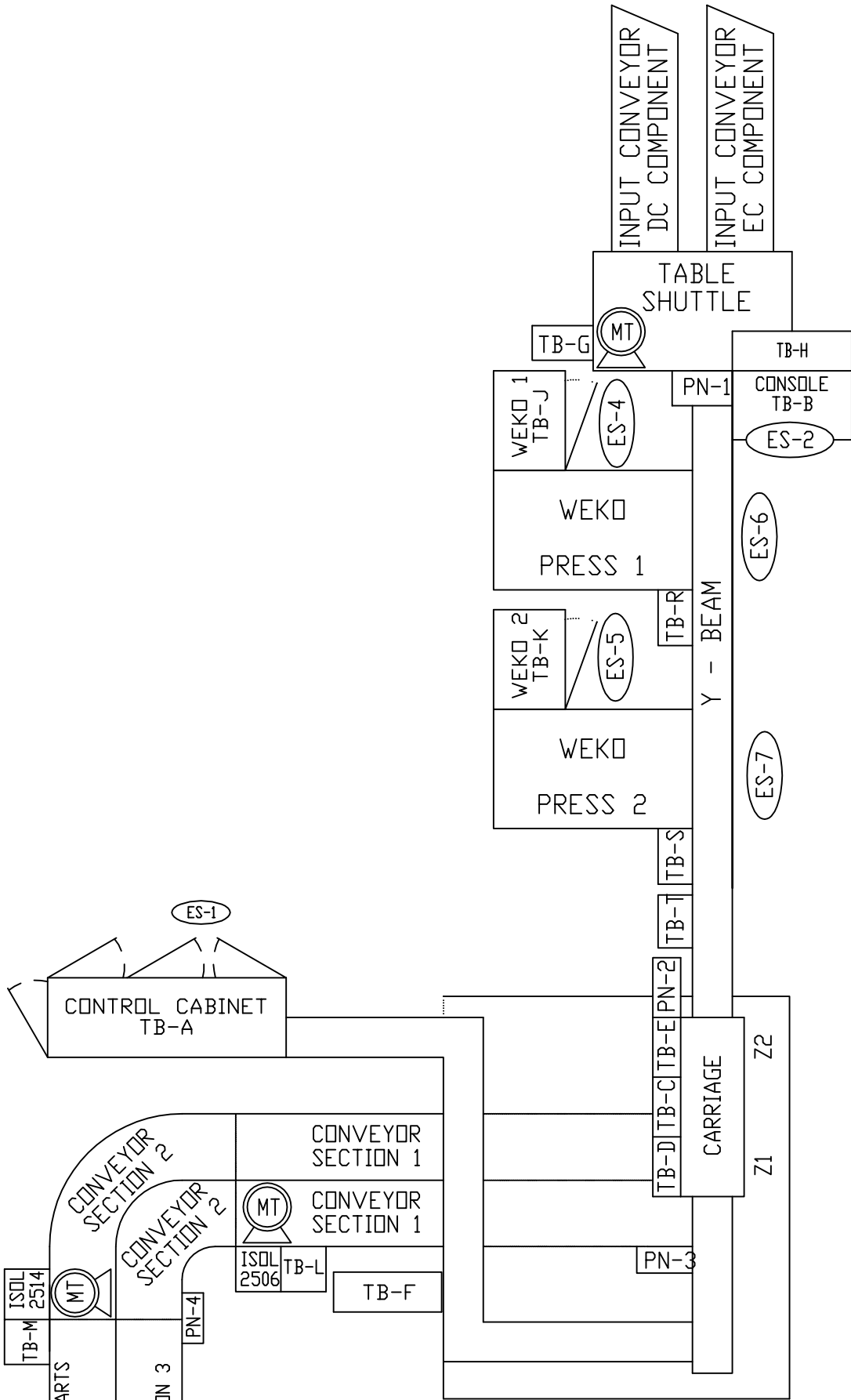


Elect. ●	DESIGN P.D.	DRAWING NO F010-401-AA	CHANGES DATE NAME	 FROEHLICH PELSOMAT Automation & Engineering	NISSAN MOTOR MANUFACTURING (UK) LIMITED No4870	DE-FLASHING PRESS GANTRY LOADER INFORMATION SHEET	SHEET 3/4
Hydr. ○	DRAWN P.D.						
Pneum. ○	CHECKED G.B.						
Lubr. ○	APPROVED						
DATE APRIL 95							



Elect. <input checked="" type="radio"/> Hydr. <input type="radio"/> Pneum. <input type="radio"/> Lubr. <input type="radio"/>	DESIGN	P.D.	DATE 23/06/11 NAME JEB	FROEHLICH FELSO MAT Automation & Engineering	DE-FLASHING PRESS GANTRY LOADER TITLE PLC LAYOUT SHEET	SHEET 4/5 SHEET		
	DRAWN	P.D.					DRAWING NO F010-401-AA	NISSAN MOTOR MANUFACTURING (UK) LIMITED No4870
	CHECKED	G.B.						
	APPROVED							
DATE	APRIL 95							


JWF No.F010-4XX-004




NOTES

- TB = TERMINAL BOX
- ES = EMERGENCY STOP PB
- PN = PNEUMATIC VALVE PANEL
- MT = CONVEYOR MOTOR

CABLE IDENTIFICATION	1	2	3	4	5	6	7	8	9	10	11	12	13	14	15	16	17	18	19	20	21	22	23	24
LT1 (HAN 24E)	29100 A	29120 A	30080 A	30090 A	31110 A	31120 A	28020 A	33100 A	34A160 A	34A143 A	44036 A	44060 A	44061 A	44100 A	44131 A	29031 A							31132 BA	31132 BA
LT2 (HAN 24E)	32020 A	3302 A	28030 A	29021 A	45041 A	29031 A	45071 A	45101 A	3025 A	46081 A	30131 AA	3082 EA	3091 EA	30131 BA	3082 EB	3091 EB	45040 A	45070 A	45100 A				31034 C	31132 DA
LT2A (HAN 24E)	32020 A	3302 A	28030 AA	29021 A	45041 A	29031 A	45071 A	45101 A	3025 A	46081 A	30131 AA	3082 EA	3091 EA	30131 BA	3082 EB	3091 EB	45040 A	45070 A	45100 A				31034 C	31132 DA
LT3 (HAN 24E)	31060 A	Y1000 A	Y1001 A	Y1002 A	Y1003 A	Y1004 A	Y1005 A	Y1006 A	Y1007 A	Y1008 A	Y1009 A	Y1010 A	Y1011 A	Y1012 A	Y1010 A	X1100 A	X1101 A	X1102 A	X1103 A	X1112 A	X1113 A	29090 A	31132 EA	31132 EA
LT3A (HAN 24E)	31060 A	Y1000 A	Y1001 A	Y1002 A	Y1003 A	Y1004 A	Y1005 A	Y1006 A	Y1007 A	Y1008 A	Y1009 A	Y1010 A	Y1011 A	Y1012 A	Y1010 A	X1100 A	X1101 A	X1102 A	X1103 A	X1112 A	X1113 A	29090 A	31132 EA	31132 EA
LT4 (HAN 24E)	X1115 A	X1200 A	X1201 A	X1202 A	X1203 A	X1204 A	X1205 A	X1206 A	X1207 A	X1208 A	X1209 A	X1210 A	X1211 A	X1212 A	X1214 A	X1215 A	X1104 A	X1104 A	X1105 A	X1106 A	X1107 A		31132 FA	31132 FA
LT4A (HAN 24E)	X1115 AA	X1200 A	X1201 A	X1202 A	X1203 A	X1204 A	X1205 A	X1206 A	X1207 A	X1208 A	X1209 A	X1210 A	X1211 A	X1212 A	X1214 A	X1215 A	X1104 A	X1104 A	X1105 A	X1106 A	X1107 A		31132 FA	31132 FA
LT5 (HAN 24E)	X1300 A	X1300 A	X1301 A	X1302 A	X1303 A	X1304 A	X1305 A	X1306 A	X1307 A	X1308 A	X1309 A	X1310 A	X1311 A	X1312 A	X1313 A	X1108 A	X1108 A	X1109 A	X1110 A	X1111 A	Y1015 A	Y1015 A	31132 GA	31132 GA
LT5A (HAN 24E)	X1300 A	X1300 A	X1301 A	X1302 A	X1303 A	X1304 A	X1305 A	X1306 A	X1307 A	X1308 A	X1309 A	X1310 A	X1311 A	X1312 A	X1313 A	X1108 A	X1108 A	X1109 A	X1110 A	X1111 A	Y1015 A	Y1015 A	31132 GA	31132 GA
LT6 (HAN 24E)	25070 A	X0200 A	29050 HA	Y1803 A	25150 A	X0201 A	Y1804 A	26070 A	X0202 A	Y1805 A	40022 B	40032 B	29050 B	40070 A	40080 A	32032 BB	32032 BB	3151 EA	4011 AA	4001 AA	4001 AA	X415 AA	31132 HA	31132 HA
LT7 (HAN 24E)		X1706 A	X1707 A	X1709 A	X1712 A	X1712 A	X1713 A	X1714 A	33022 BB	33032 BB	3151 EB	4011 BA	4001 BA	X415 BA	31025 B	46112 A	X1715 A	X1608 A	X1609 A	X1610 A			31132 JA	31132 JA
LT8 (HAN 24E)	46A020 A	46A030 A	46A040 A	46A050 A	46A060 A	46A070 A	29050 N	X0712 A	X0713 A	ZE	X1611 A	X1612 A	X1613 A	X1614 A	X1615 A	X1700 A	X1701 A	X1702 A	X1703 A	X1704 A	Y1015 NA	31152 NA	31132 KA	31132 KA
LT9 (HAN 24E)	29070 B	X1600 A	X1601 A	X1602 A	X1603 A	X1604 A	X1605 A	X1606 A	X1607 A		X1611 A	X1612 A	X1613 A	X1614 A	X1615 A	X1700 A	X1701 A	X1702 A	X1703 A	X1704 A	Y1015 NA	31152 NA	31132 KA	31132 KA
LT10 (HAN 24E)	31060 CA	Y1808 A	Y1809 A	Y1810 A	Y1811 A	Y1812 A	Y1813 A	Y1814 A	Y1815 A	Y1911 A	30060 A	Y1901 A	Y1902 A	Y1903 A	Y1904 A	Y1905 A	Y1906 A	Y1907 A	Y1908 A	Y1909 A	Y1910 A		31132 MA	31132 MA
SPARE																								
LT12 (HAN 24E)	29050 F	X0300 A	X0301 A	X0302 A	X0303 A	X0304 A	X0305 A	X0306 A	X0307 A	X0308 A	29060 A	X0309 A	X0310 A	X0311 A	31132 PA									
LT13 (HAN 24E)	40070 A	40120 A	40080 A	40130 A	29050 C	X0006 A	42027 AA	48092 A	42037 A	48112 C	31025 C	48130 A	48140 A	48150 A	31132 RA									
EA (HAN 24E)	4023 A	4011 A	4033 A	4001 A	X412 A	X415 A	3151 EA	X408 A	X409 A	X410 A	X411 A	30131 E	3082 E	3091 E	5122 B									
LT15 (HAN 24E)	29050 G	X0400 A	X0401 A	X0402 A	X0403 A	X0404 A	X0405 A	X0406 A	X0407 A	X0408 A	29060 A	X0409 A	X0410 A	X0411 A	31132 SA									
LT16 (HAN 24E)	40120 B	40121 A	40130 B	40131 A	29050 D	X0007 A	42A020 A	52092 A	42A040 A	52112 D	31025 D	52130 A	52140 A	52150 A	31132 TA									
EB (HAN 24E)	4023 B	4011 B	4033 B	4001 B	X412 B	X415 B	3151 EB	X408 B	X409 B	X410 B	X411 B	30131 B	3082 E	3091 E	5122 B									
LT18 (HAN 24E)				23140 A	X0203 A	29050 JA	Y0609 A	40021 A	40031 A	29050 A	40022 A	40032 A	X0004 A	33021 A	33031 A	33022 A	33032 A	X415 A					31132 CA	31132 CA
LT19 (HAN 24E)	33021 BA	33031 BA	3151 EB	33022 BA	33032 BA	X415 BA	42020 A	29050 E	X0008 A	42027 A	42037 A	X0009 A												
LT20 (HAN 16E)	41010 A	41020 A	41030 A	41040 A	41050 A	41060 A	41A010 A	41A020 A	41A030 A	41A040 A	41A050 A	41A060 A	29031 A											
LT21 (HAN 16E)	41B010 A	41B020 A	41B030 A	41B040 A	41B050 A	41B060 A	41C010 A	41C020 A	41C030 A	41C040 A	41C050 A	41C060 A	29031 B											

REV./DATE	APRIL95	19/08/96	SCALE	N.T.S	CLIENT:- NMUK L.td. TITLE:- DE-FLASHING PRESS GANTRY LOADER PLUG & SOCKET ASSIGNMENT	 TEL. (01524) 846772	DOCUMENT No. 0043/GANTRY/7-7A	SHEET 7/7A
DRAWN	P.D (JWF)	R.MAUN	SIZE	A3				
CHECKED	G.B (JWF)		TOLERANCE					
APPROVED			ALL DIMENSIONS IN MILLIMETRES UNLESS OTHERWISE STATED					
ECN No.	F010-401-AB	043GAN07.DWG			© THIS DRAWING IS THE PROPERTY OF SILVERTECH (NORTHERN) LTD. IT IS SUPPLIED IN CONFIDENCE & MAY NOT BE COPIED OR EXHIBITED WITHOUT WRITTEN PERMISSION.	DRAWN R.M CHECKED D.P APP'D P.A.M APPROVED DATE: 19/08/96		

CABLE IDENTIFICATION	1	2	3	4	5	6	7	8	9	10	11	12	13	14	15	16	17	18	19	20	21	22	23	24	
LT22 (HAN 24E)												X5500 A	X5501 A	X5502 A	X5503 A	X5504 A	X5505 A	X5506 A	X5507 A					31132 BA	31132 BA
LT23 (HAN 24E)	29100 AB	X5400 A	X5401 A	X5402 A	X5403 A	X5404 A	X5405 A	X5406 A	X5407 A	X5408 A	X5409 A	X5410 A	X5411 A	X5412 A	X5413 A	X5414 A	X5415 A					29120 BA	31132 CA	31132 CA	
LT24 (HAN 24E)	29100 AA	X5013 AA	X5014 A		31120 AA	Y5700 A	Y5701 A	Y5702 A	Y5703 A	Y5704 A	Y5705 A	Y5706 A	Y5707 A	Y5708 A	Y5709 A	Y5712 A	23140 AA	X0203 AA	29050 JAA	Y0609 AA		29120 AA	31132 CA	31132 CA	
SPARE																									
LT26 (HAN 24E)	29070 AA	X1200 AA	X1201 AA	X1202 AA	X1203 AA	X1204 AA	X1205 AA	X1206 AA	X1207 AA	Y1014 AA	28030 AB	X1210 AA	X1211 AA	X1212 AA	X1213 AA	X1214 AA	X1215 AA	32020 AA	3302 AA	X1115 AA	31060 AA	29090 AA	31132 DA	31132 DA	
SPARE																									
LT28 (HAN 24E)	29070 AB	X1300 AA	X1301 AA	X1302 AA	X1303 AA	X1304 AA	X1305 AA	X1306 AA	X1307 AA	Y1015 AA	X1310 AA	X1311 AA	X1312 AA	X1313 AA	X1313 AA	3302 AD	28030 AA	32020 AB	3302 AB	31060 AA	29090 AB	31132 FA	31132 FA	31132 FA	
SPARE																									
SPARE																									
SPARE																									
LT32 (HAN 24E)	29070 BB	X1706 AA	X1707 AA	X1613 AA	31060 CA	Y1808 AA	Y1809 AA	Y1810 AA	Y1811 AA		25070 AA	X0200 AA	29050 HAA	Y1803 AA	X1700 AA	X1701 AA	X1702 AA	X1703 AA	X1704 AA	X1614 AA	X1615 AA	29090 BB	31132 HA	31132 HA	
LT33 (HAN 24E)	29070 BC	X1709 AA	X1710 AA		31060 CB	Y1812 AA	Y1813 AA	X1606 AA	X1607 AA		25150 AA	X0201 AA	29050 HBA	Y1804 AA	31025 BB	31025 BB	46112 AB	46112 AB	46112 BB		29090 BC	31132 JA	31132 JA	31132 JA	
LT34 (HAN 24E)	29070 BA	X1600 AA	X1601 AA	X1602 AA	X1603 AA	X1604 AA	X1605 AA	X1606 AA	X1607 AA	Y1911 AA	30060 AA	Y1901 AA	Y1902 AA	Y1903 AA	Y1904 AA	Y1905 AA	Y1906 AA	Y1907 AA	Y1908 AA	Y1909 AA	Y1910 AA	29090 BA	31132 LA	31132 LA	
LT35 (HAN 24E)	40022 BA	40032 BA	29050 BA	40070 AA	40080 AA	X0005 A	33022 AB	33032 AB	3151 EA	4001 AA	4001 AA	X415 AA	33022 BB	33032 BB	3151 EB	4001 BA	4001 BA	X415 BA	X1608 AA	X1609 AA	X1610 AA	31132 MA	31132 MA	31132 MA	
LT36 (HAN 24E)	29070 BD	X1712 AA	X1713 AA	X1714 AA	31060 CC	Y1814 AA	Y1815 AA	29050 N	X0712 A	X0713 A	26070 AA	X0202 AA	29050 HCA	Y1805 AA		X1711 AA		X1715 AA		223 ZE	X7012 A	29090 BD	31132 KA	31132 KA	
LT37 (HAN 24E)	46A020 AA	46A030 AA	46A040 AA	46A050 AA	46A060 AA	46A070 AA	Y1500 A	Y1501 A	Y1502 A	Y1503 A	Y1504 A	Y1505 A	X1708 AA									31132 MA	31132 MA	31132 MA	
LT38 (HAN 24E)	29070 BE	29090 BE	X1611 AA	X1612 AA											31132 NA	31132 NA					29090 AB	31132 NA	31132 NA	31132 NA	
LT39 (HAN 24E)	29100 ABA	X5407 AA	X5408 AA	X5409 AA	X5410 AA	X5411 AA	X5412 AA	X5413 AA	X5414 AA	X5415 AA	X5500 AA	X5501 AA	X5502 AA	X5503 AA	X5504 AA	X5505 AA	X5506 AA	X5507 AA				29120 ABA	31132 CA	31132 CA	
SPARE																									
SPARE																									
SPARE																									
SPARE																									
SPARE																									
LV45 (HAN 16E)	21122 A	21123 A	22022 A	22032 A						B23101 A	N23111 A				31132 WA	31132 WA									
LV46 (HAN 16E)	R25021 A	Y25021 A	R25021 A	R25101 A	Y25101 A	B25101 A	R26021 A	Y26021 A	B26021 A		R27021 A	N27031 A	31132 XA	31132 XA	31132 YA	31132 YA									

REV./DATE	APRIL 95	19/08/96	SCALE N.T.S																					
DRAWN	P.D (JWF)	R.MAUN	SIZE A3	© THIS DRAWING IS THE PROPERTY OF SILVERTECH (NORTHERN) LTD. IT IS SUPPLIED IN CONFIDENCE & MAY NOT BE COPIED OR EXHIBITED WITHOUT WRITTEN PERMISSION										CLIENT:- NMUK L.td.										
CHECKED	G.B (JWF)		TOLERANCE											TITLE:- DE-FLASHING PRESS GANTRY LOADER PLUG & SOCKET ASSIGNMENT										
APPROVED			ALL DIMENSIONS IN MILLIMETRES UNLESS OTHERWISE STATED											DRAWN R.M	CHECKED D.P	APP'D P.A.M	DOCUMENT No.	SHEET						
ECN No.	F010-401-AC	043GAN7A.DWG												APPROVED DATE: 19/08/96			0043/AGANTRY/7A-7B	7A/7B						

1 2 3 4 5 6 7 8 9 10 11 12 13 14 15 16 17

PIN NUMBERS / WIRE NUMBERS

CABLE IDENTIFICATION	1	2	3	4	5	6	7	8	9	10	11	12	13	14	15	16	17	18	19	20	21	22	23	24
LV47 (HAN 16E)	R24021 A AA	Y24021 A AA	B24021 A AA	R24071 A AA	Y24071 A AA	B24071 A AA	R24121 A AA	Y24121 A AA	B24121 A AA							31132 ZA								
LV47A (HAN 24E)	R24021 AA AA	Y24021 AA AA	B24021 AA AA	R24071 AA AA	Y24071 AA AA	B24071 AA AA	R24121 AA AA	Y24121 AA AA	B24121 AA AA															
LV49 (HAN 6E)	R24121 AA AA	Y24121 AA AA	B24121 AA AA																					
LV50 (HAN 6E)	B23101 AA AA	N23111 AA AA			31132 WA XA																			
LV51 (HAN 6E)	R25021 AA AA	Y25021 AA AA	B25021 AA AA		31132 XA XA																			
LV52 (HAN 6E)	R25101 AA AA	Y25101 AA AA	B25101 AA AA		31132 XA XA																			
LV53 (HAN 6E)	R26021 AA AA	Y26021 AA AA	B26021 AA AA		31132 YA YA																			
LV54 (HAN 6E)	R27021 A A	N27031 A A			31132 YA YA																			
SPARE																								
SPARE																								
SPARE																								
SPARE																								
SPARE																								
SPARE																								
SPARE																								
SPARE																								
SPARE																								
SPARE																								
SPARE																								
SPARE																								
SPARE																								
SPARE																								
SPARE																								
SPARE																								

Elect. P.D.
 Hydr. DRAWN
 Pneum. P.D.
 Lubr. CHECKED
 DATE APRIL 95 G.B.
 APPROVED

DRAWING NO. F010-401-AC

FROEHLICH
PELSOMAT
 Automation & Engineering

NISSAN MOTOR MANUFACTURING
 (UK) LIMITED No4870

CHANGES
 DATE
 NAME

DE-FLASHING PRESS GANTRY LOADER

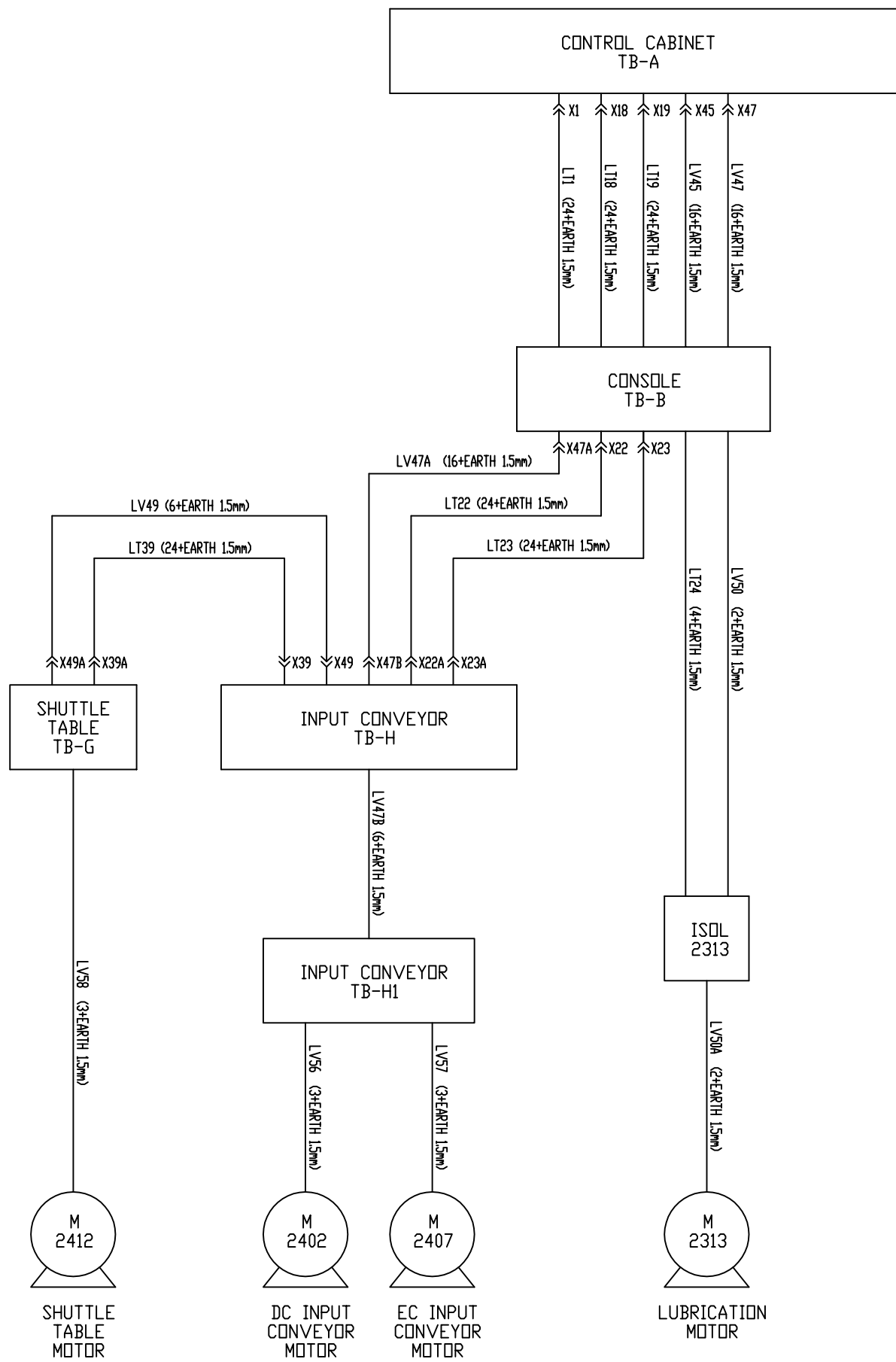
TITLE

PLUG AND SOCKET
 ASSIGNMENT SHEET

SHEET 7B/8
 SHEET

1
2
3
4
5
6
7
8
9
10
11
12
13
14
15
16
17

1
2
3
4
5
6
7
8
9
10
11
12
13
14
15
16
17



Elect.	<input checked="" type="radio"/>
Hydr.	<input type="radio"/>
Pneum.	<input type="radio"/>
Lubr.	<input type="radio"/>
DATE	APRIL 95

DESIGN	P.D.
DRAWN	
CHECKED	P.D.
APPROVED	G.B.
DRAWING NO	F010-401-AC

FROEHLICH
FELSO MAT
 Automation & Engineering

NISSAN MOTOR MANUFACTURING
 (UK) LIMITED No4870

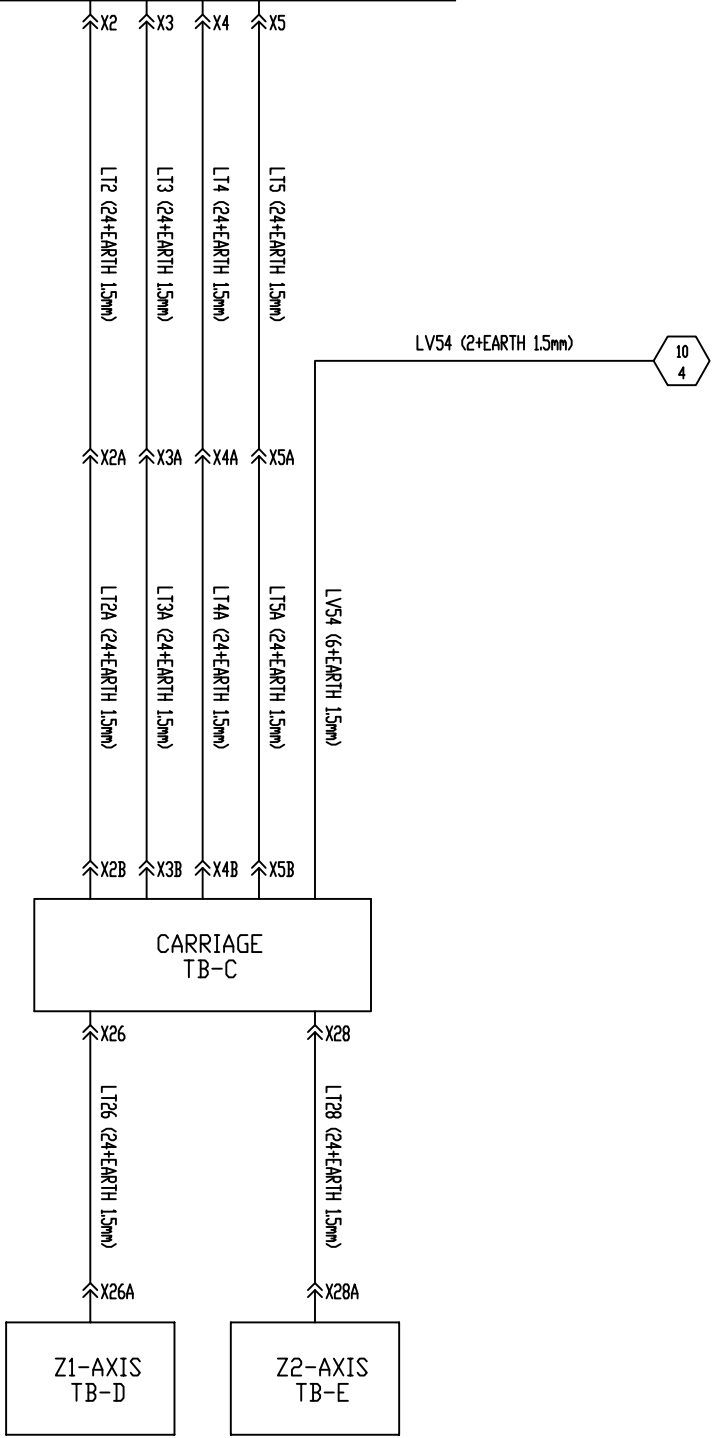
DE-FLASHING PRESS GANTRY LOADER	
TITLE	CABLE PLAN SHEET
SHEET	8/9
SHEET	.

JWF No.F010-4XX-008

1
2
3
4
5
6
7
8
9
10
11
12
13
14
15
16
17

1
2
3
4
5
6
7
8
9
10
11
12
13
14
15
16
17

CONTROL CABINET
TB-A



Elect.	<input checked="" type="radio"/>
Hydr.	<input type="radio"/>
Pneum.	<input type="radio"/>
Lubr.	<input type="radio"/>
DATE	APRIL 95

DESIGN	P.D.
DRAWN	P.D.
CHECKED	G.B.
APPROVED	
DRAWING NO	F010-401-AB

FROEHLICH
FELSO MAT
Automation & Engineering

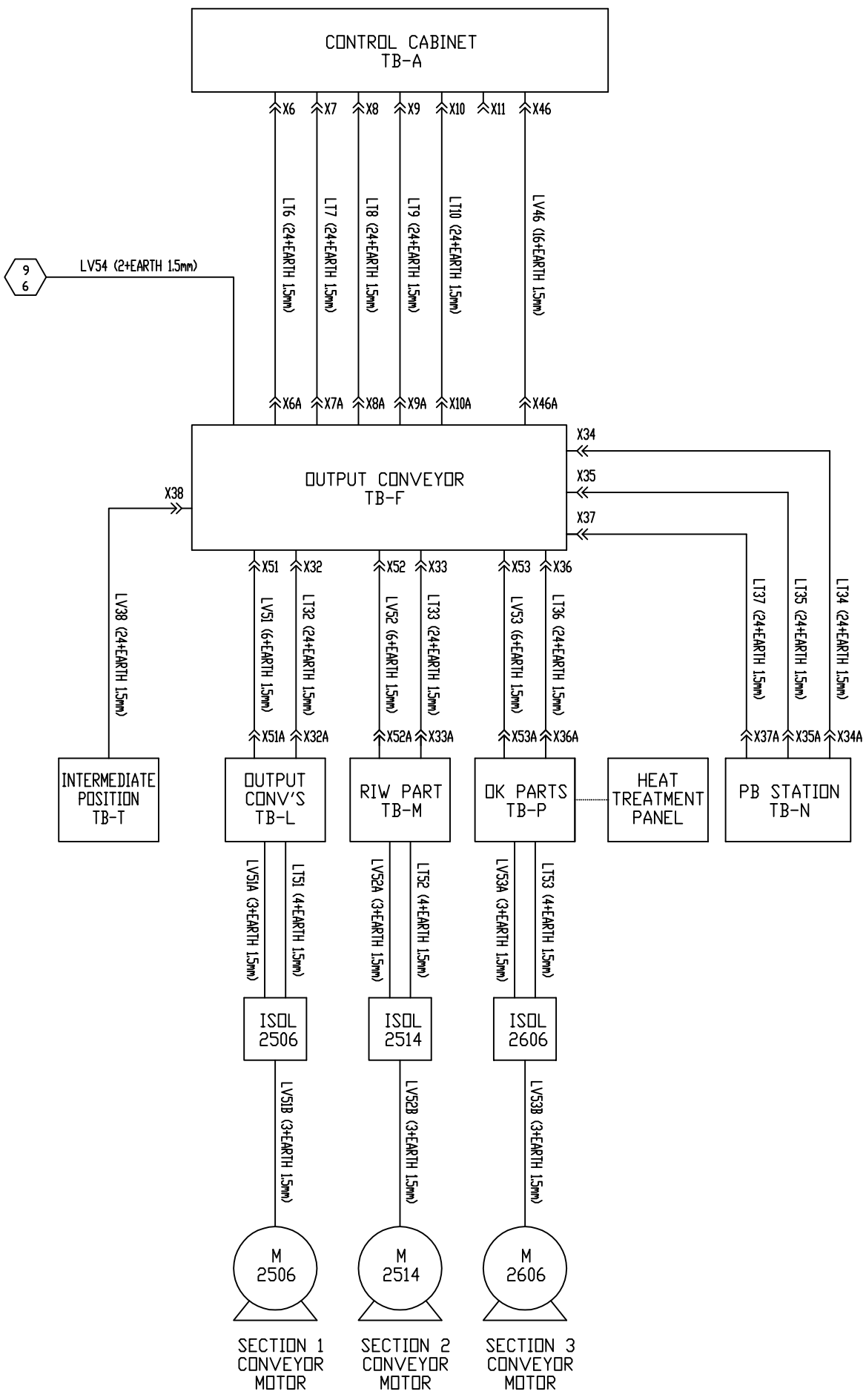
NISSAN MOTOR MANUFACTURING
(UK) LIMITED No4870

DE-FLASHING PRESS GANTRY LOADER	
TITLE	CABLE PLAN SHEET
SHEET	9/10
SHEET	.

JWF No.F010-4XX-009

1
2
3
4
5
6
7
8
9
10
11
12
13
14
15
16
17

1
2
3
4
5
6
7
8
9
10
11
12
13
14
15
16
17



Elect.	●
Hydr.	○
Pneum.	○
Lubr.	○
DATE	APRIL 95

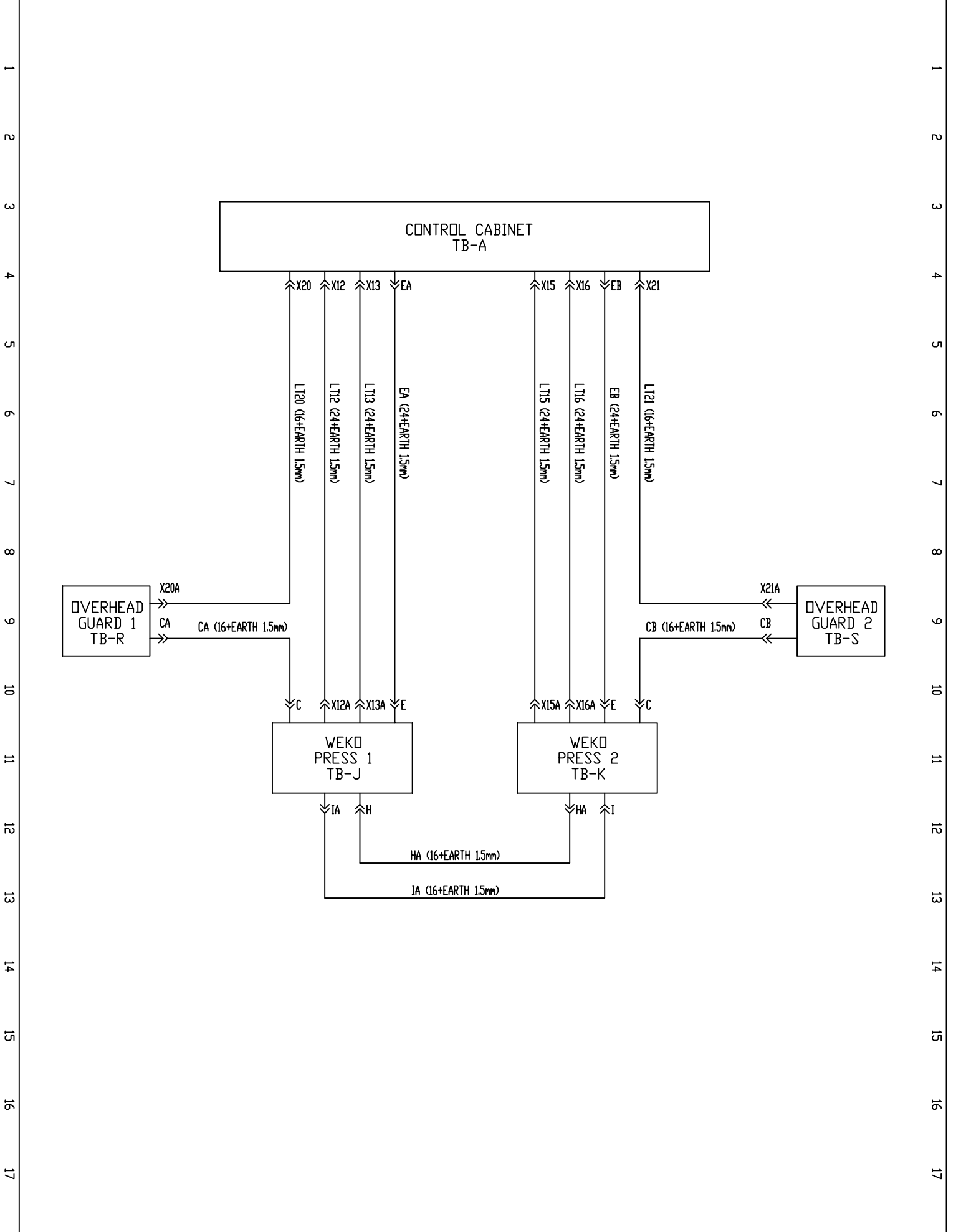
DESIGN	P.D.
DRAWN	P.D.
CHECKED	G.B.
APPROVED	
DRAWING NO	F010-401-AB

FROEHLICH
FELSO MAT
Automation & Engineering

NISSAN MOTOR MANUFACTURING
(UK) LIMITED No4870

DE-FLASHING PRESS GANTRY LOADER	
TITLE	CABLE PLAN SHEET
SHEET	10/11
SHEET	

JWF No.F010-4XX-010



Elect.	●
Hydr.	○
Pneum.	○
Lubr.	○
DATE	APRIL 95

DESIGN	P.D.	DRAWING NO F010-401-AB
DRAWN	P.D.	
CHECKED	G.B.	
APPROVED		

FROEHLICH
FELSO MAT
Automation & Engineering

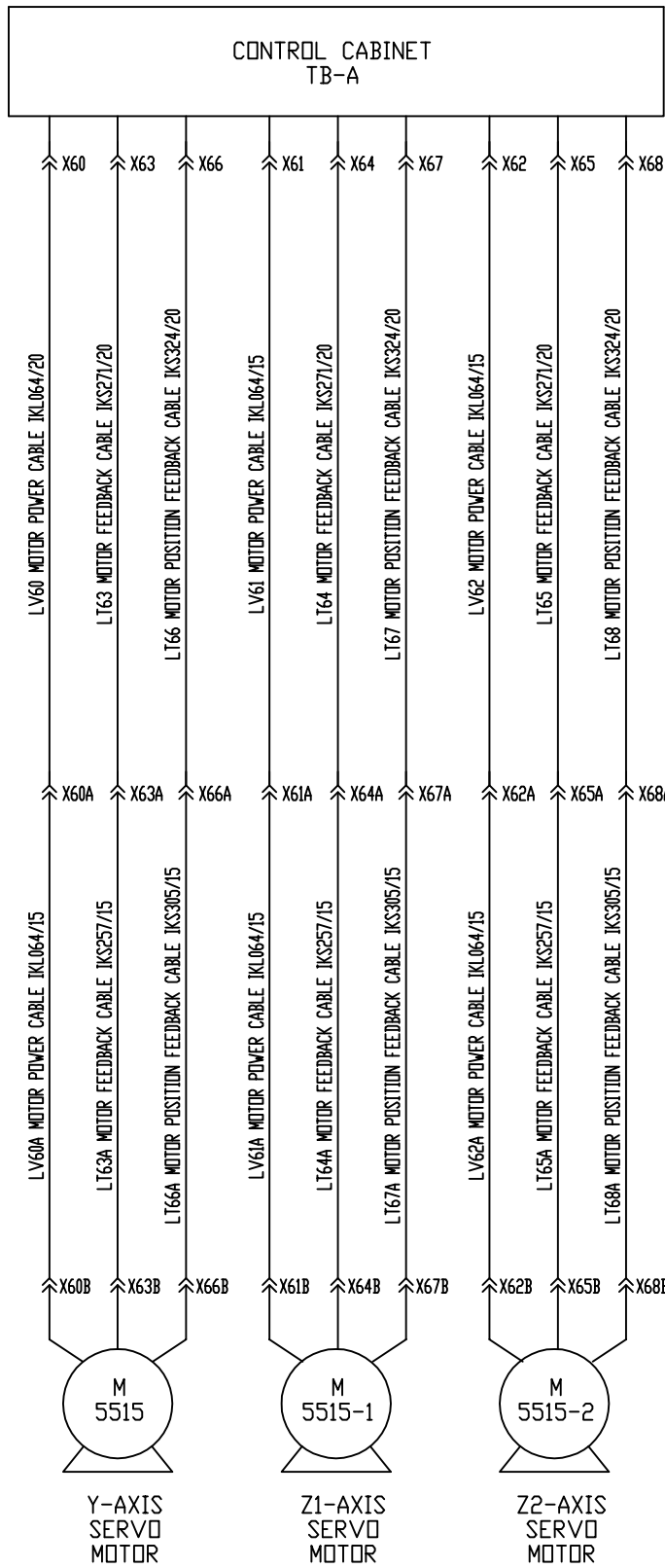
NISSAN MOTOR MANUFACTURING
(UK) LIMITED No4870

DE-FLASHING PRESS GANTRY LOADER	
TITLE	SHEET
CABLE PLAN SHEET	11/12
	SHEET

JWF No.F010-4XX-011

1
2
3
4
5
6
7
8
9
10
11
12
13
14
15
16
17

1
2
3
4
5
6
7
8
9
10
11
12
13
14
15
16
17



Elect.	<input checked="" type="radio"/>
Hydr.	<input type="radio"/>
Pneum.	<input type="radio"/>
Lubr.	<input type="radio"/>
DATE	APRIL 95

DESIGN	P.D.
DRAWN	P.D.
CHECKED	G.B.
APPROVED	

CHANGES	DATE	NAME

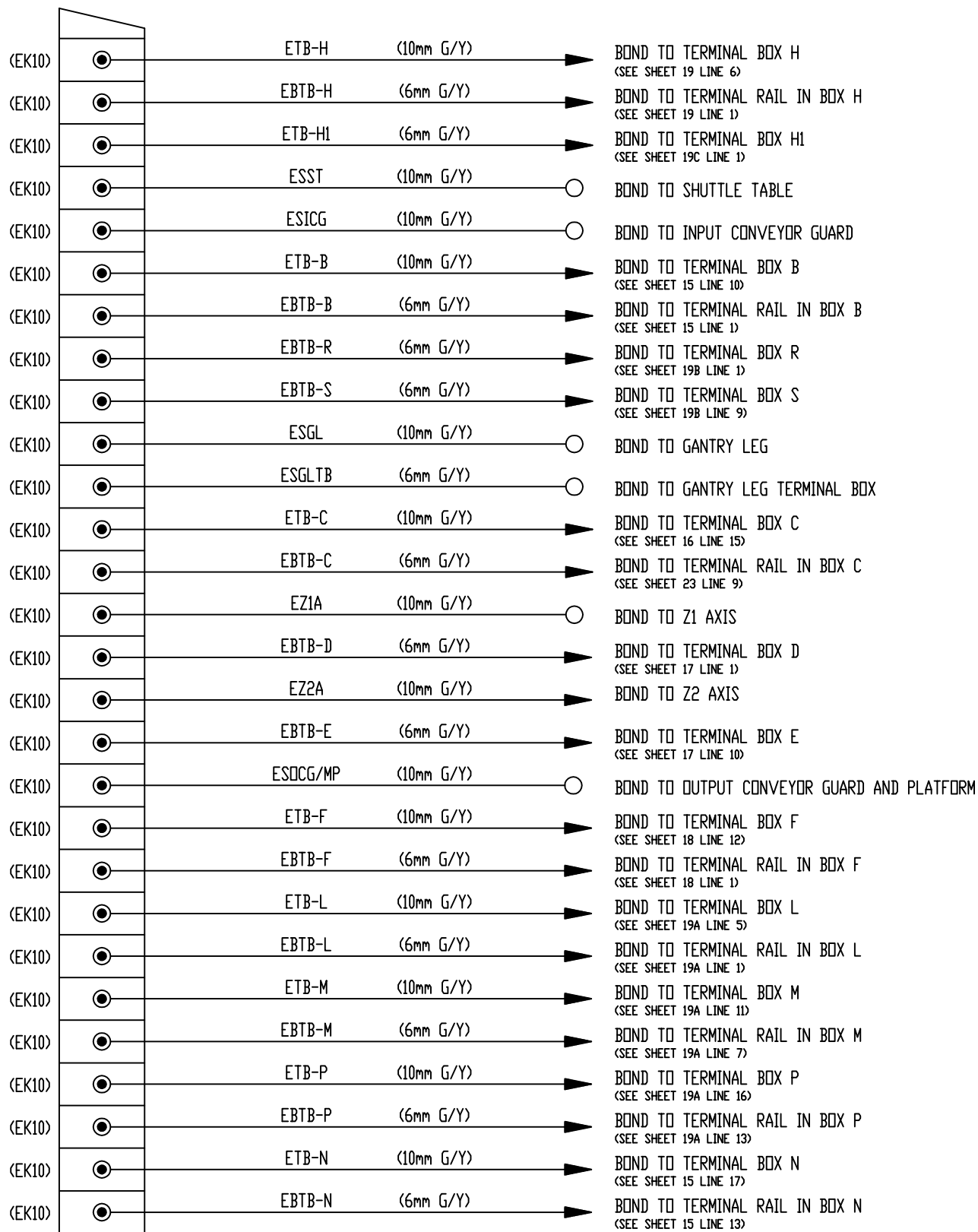
DRAWING NO
F010-401-AA

FROEHLICH
PELSOMAT
Automation & Engineering

NISSAN MOTOR MANUFACTURING
(UK) LIMITED No4870

DE-FLASHING PRESS GANTRY LOADER	
TITLE	SHEET
CABLE PLAN SHEET	12/13
	SHEET

JWF No.F010-4XX-012



Elect.
 Hydr.
 Pneum.
 Lubr.
 DATE
 APRIL 95

DESIGN P.D.	DRAWING NO F010-401-AB
DRAWN P.D.	
CHECKED G.B.	
APPROVED	

CHANGES

DATE	NAME

FROEHLICH
FELSO MAT
 Automation & Engineering

NISSAN MOTOR MANUFACTURING
 (UK) LIMITED No4870

DE-FLASHING PRESS GANTRY LOADER

TITLE

EARTHING DISTRIBUTION
 MAIN PANEL TB-A

SHEET
 13A/14

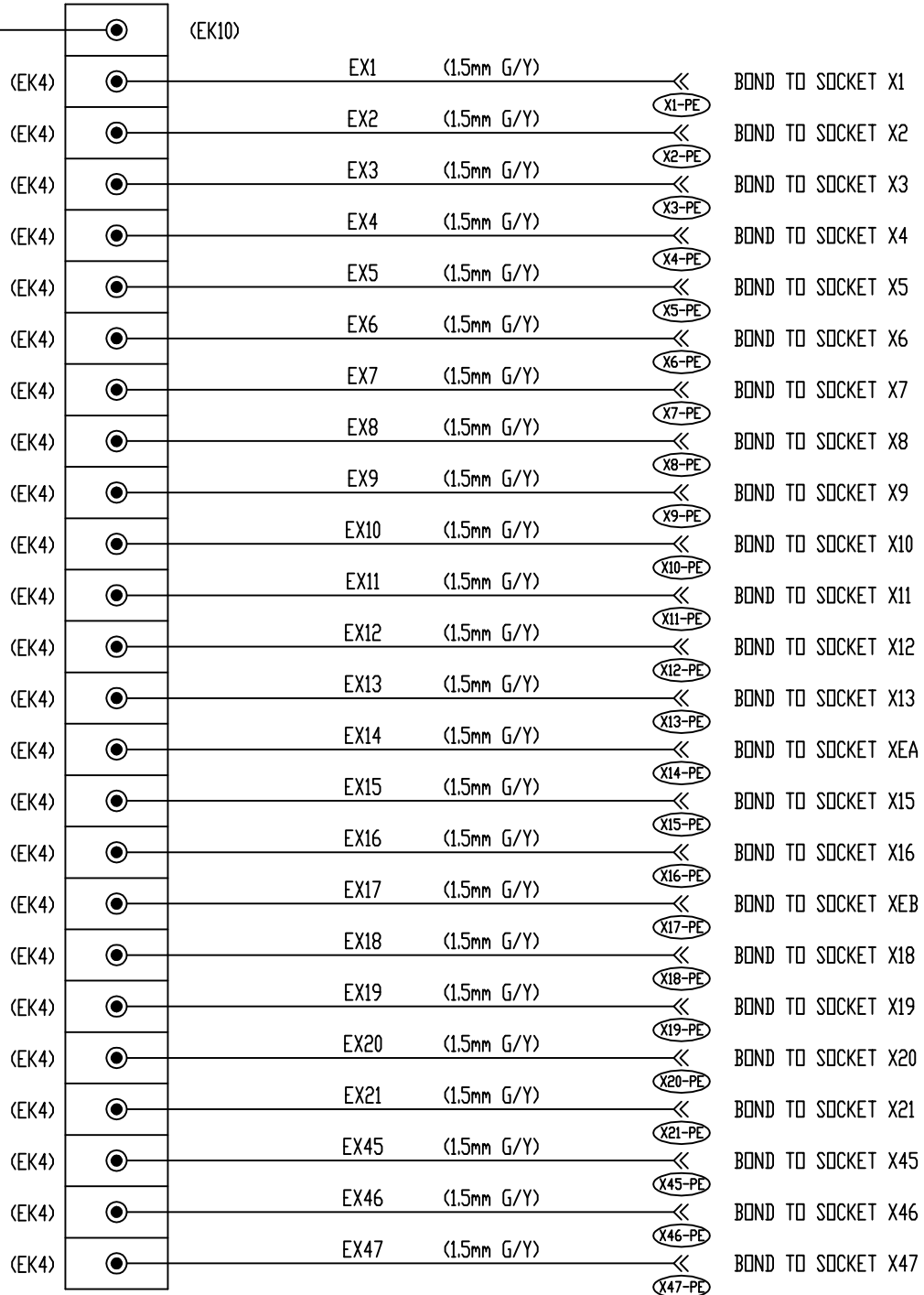
SHEET

JWF No.F010-4XX-013A

FROM MAIN EARTH TERMINAL RAIL
MOUNTED INSIDE CABINET DOOR 1
SHEET 13 LINE 8

E10
(6mm G/Y)

KLIPPON EARTH TERMINAL RAIL
MOUNTED INSIDE CABINET DOOR 3



Elect.
Hydr.
Pneum.
Lubr.
DATE
APRIL 95

DESIGN P.D.
DRAWN P.D.
CHECKED G.B.
APPROVED

CHANGES
DATE
NAME
DRAWING NO
F010-401-AA

FROEHLICH
FELSO MAT
Automation & Engineering

NISSAN MOTOR MANUFACTURING
(UK) LIMITED No4870

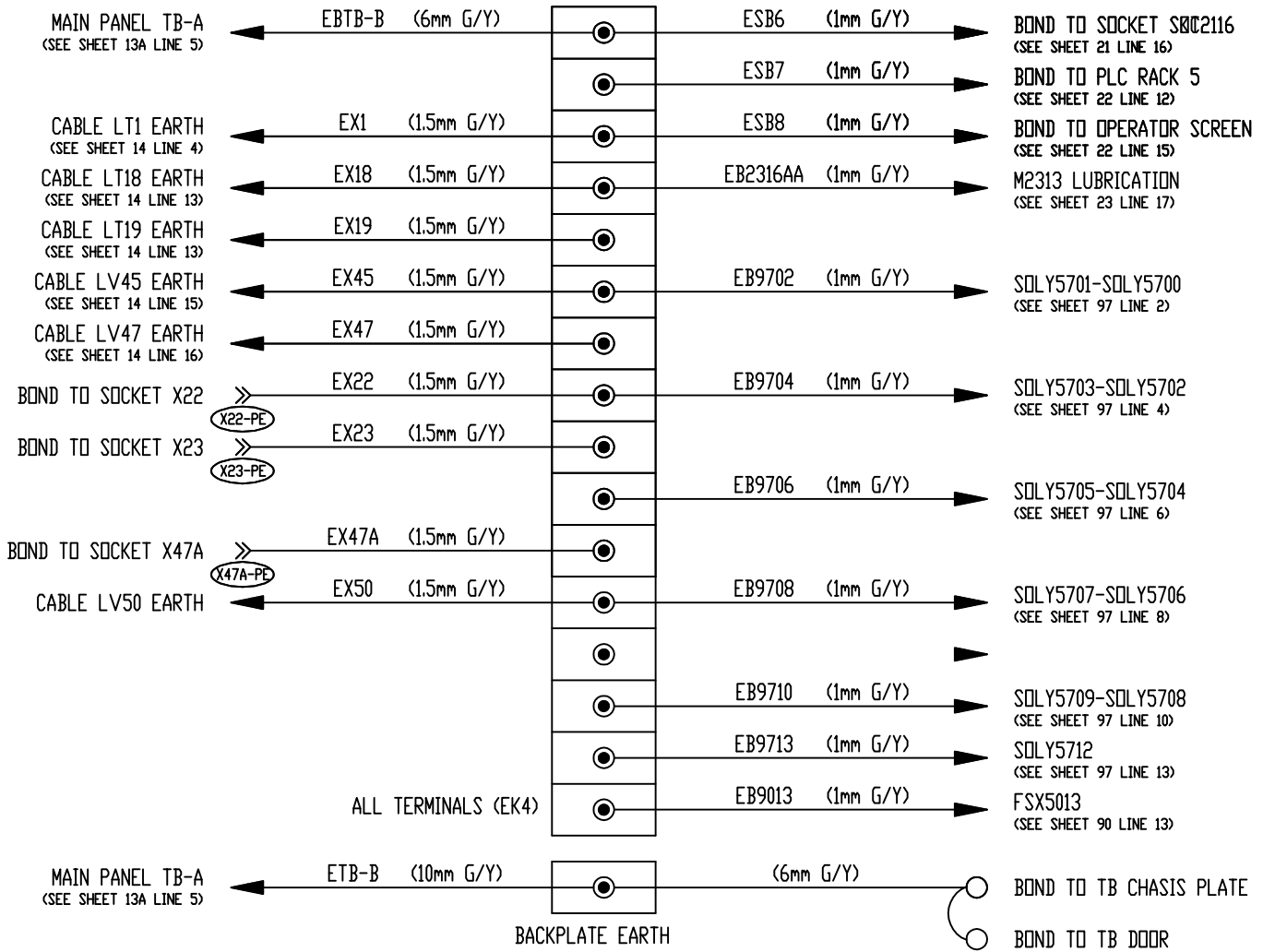
DE-FLASHING PRESS GANTRY LOADER

TITLE
EARTHING DISTRIBUTION
MAIN PANEL TB-A

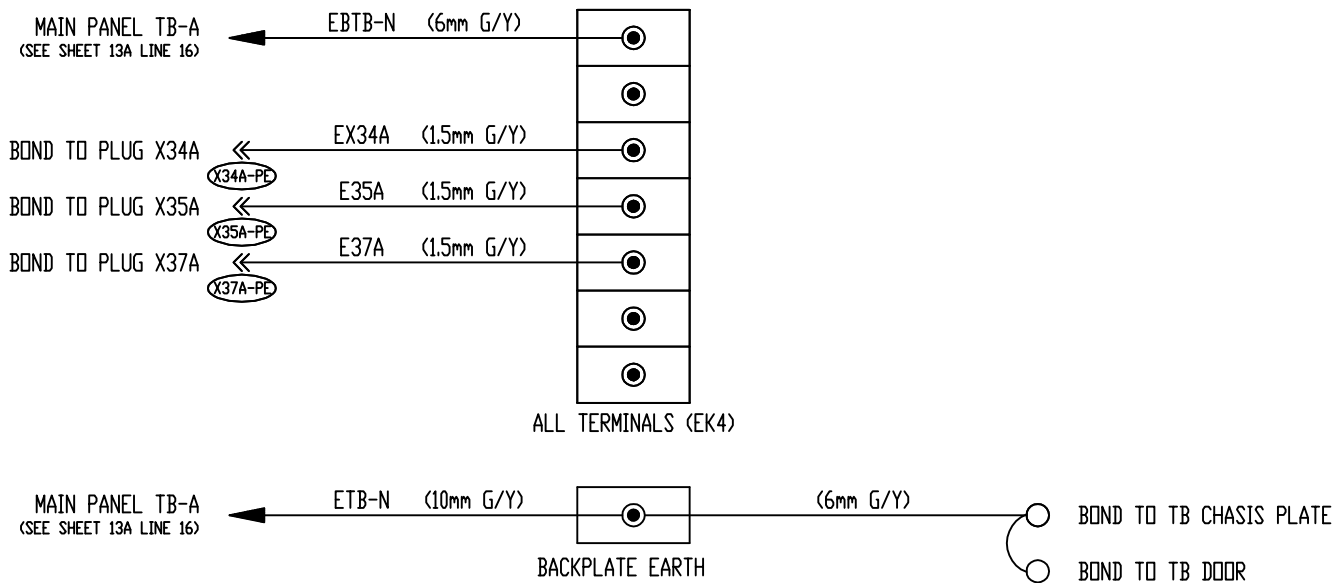
SHEET
14/15
SHEET

JWF No.F010-4XX-014

**OPERATOR CONSOLE PUSHBUTTON
STATION TB-B**
KLIPPON EARTH TERMINAL RAIL
MOUNTED INSIDE CONSOLE STATION



**OUTPUT CONVEYOR PUSHBUTTON
STATION TB-N**
KLIPPON EARTH TERMINAL RAIL
MOUNTED INSIDE PUSHBUTTON STATION

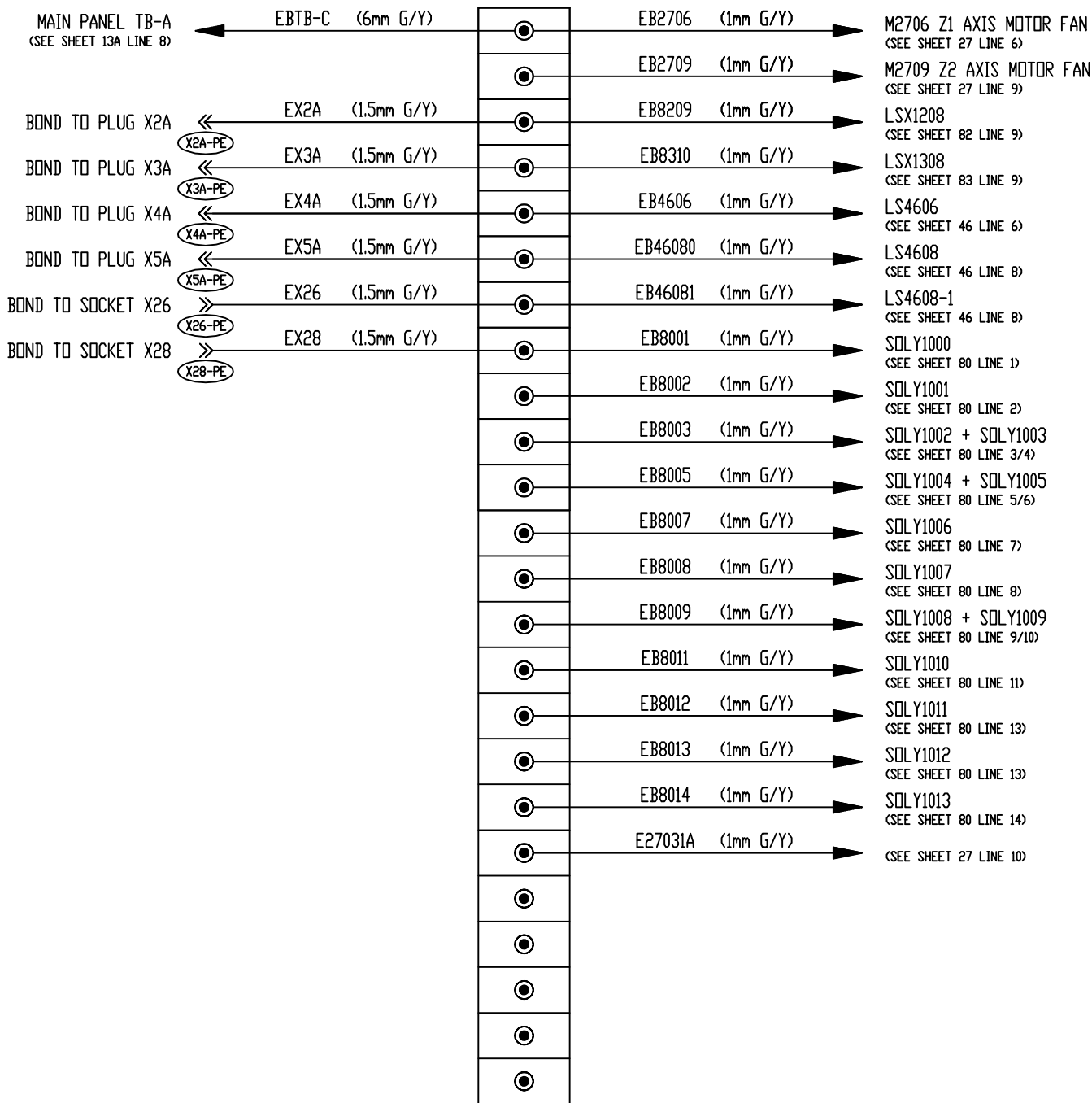


Elect. ●	DESIGN	P.D.										DE-FLASHING PRESS GANTRY LOADER	
Hydr. ○	DRAWN	P.D.										TITLE	SHEET
Pneum. ○	CHECKED	G.B.										EARTHING DISTRIBUTION PB STN'S TB-B AND TB-N	15/16
Lubr. ○	APPROVED		DRAWING NO		F010-401-AA		NISSAN MOTOR MANUFACTURING (UK) LIMITED No4870					SHEET	
DATE	APRIL 95												

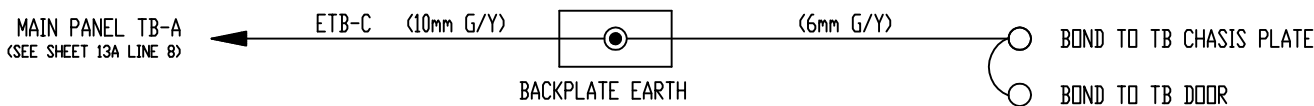
JWF No.F010-4XX-015

TB-C

KLIPPON EARTH TERMINAL RAIL
MOUNTED INSIDE TERMINAL BOX



ALL TERMINALS (EK4)

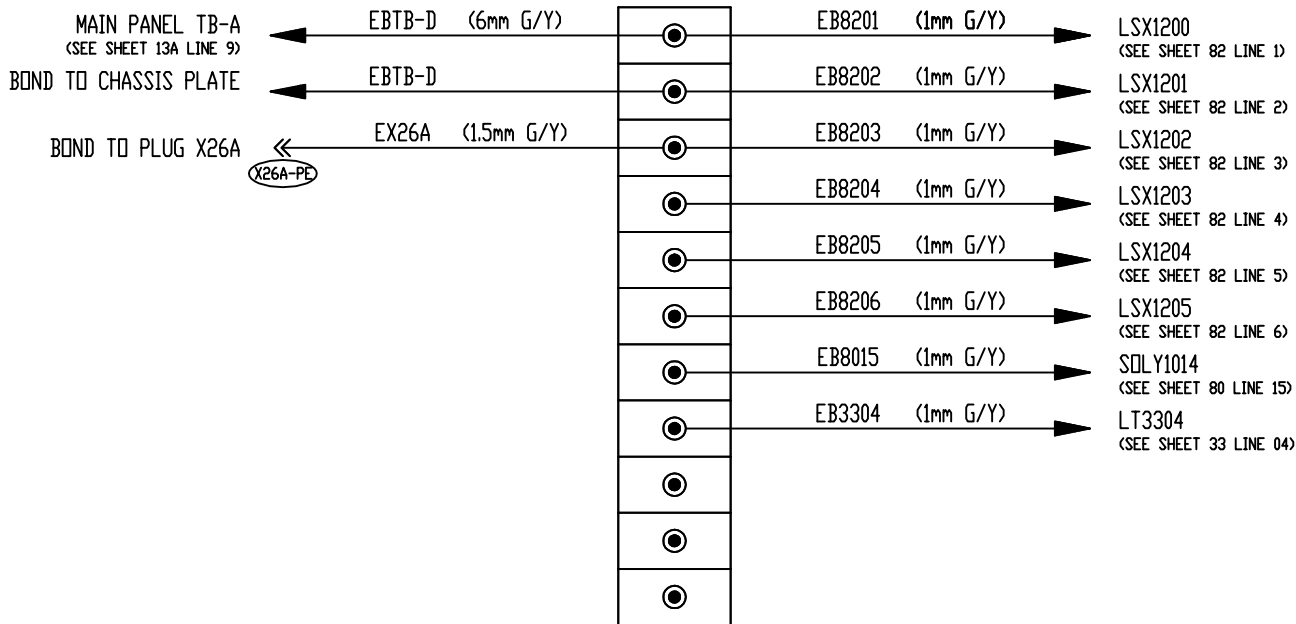


Elect. ●	DESIGN P.D.							DATE	CHANGES		DE-FLASHING PRESS GANTRY LOADER EARTHING TB-C	SHEET 16/17
Hydr. ○	DRAWN P.D.							NAME				
Pneum. ○	CHECKED G.B.							DRAWING NO				
Lubr. ○	APPROVED	F010-401-AA					NISSAN MOTOR MANUFACTURING (UK) LIMITED					
DATE APRIL 95											SHEET	

JWF No.F010-4XX-016

TB-D

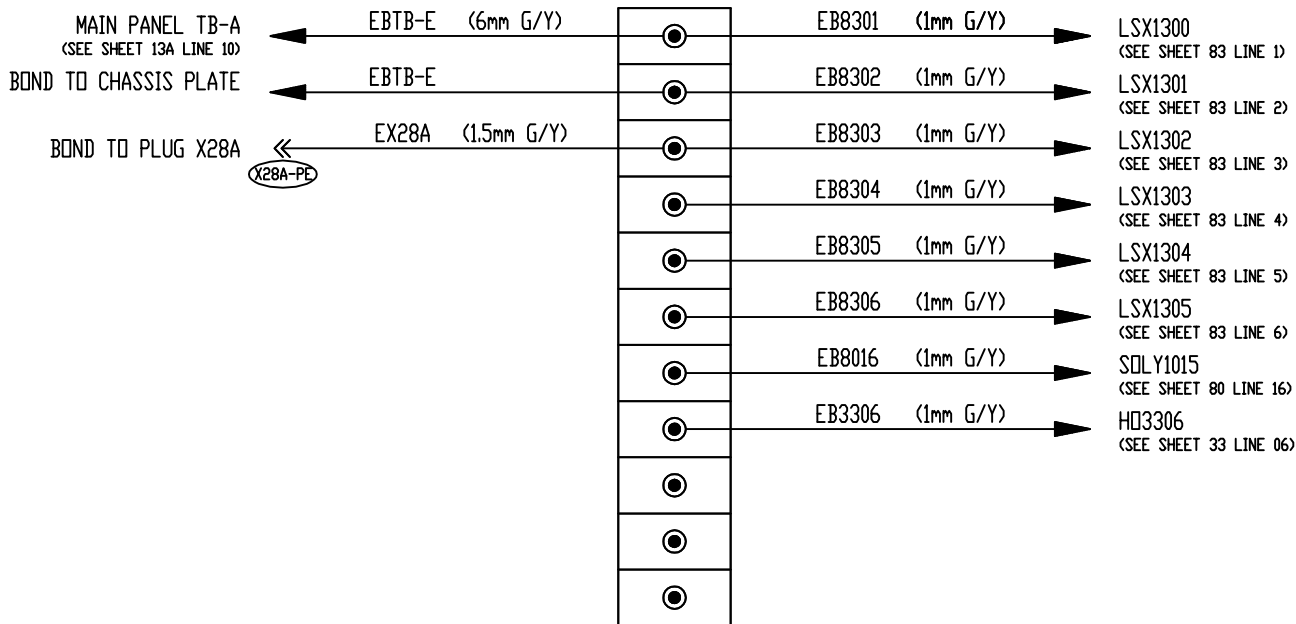
KLIPPON EARTH TERMINAL RAIL
MOUNTED INSIDE TERMINAL BOX



ALL TERMINALS (EK4)

TB-E

KLIPPON EARTH TERMINAL RAIL
MOUNTED INSIDE TERMINAL BOX



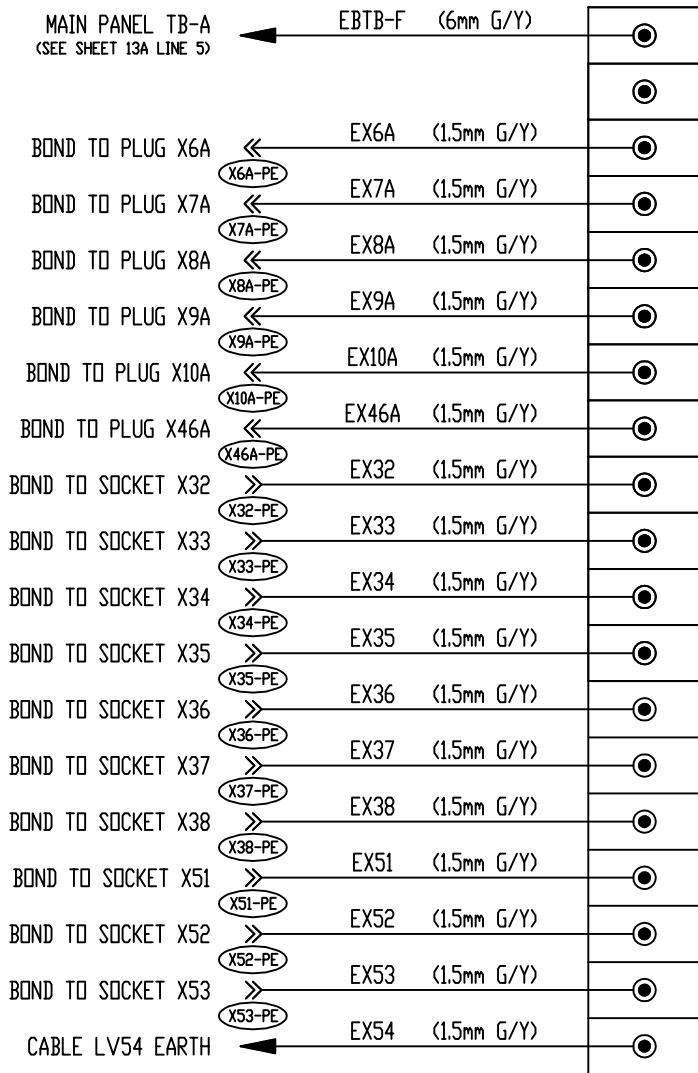
ALL TERMINALS (EK4)

Elect. ● Hydr. ○ Pneum. ○ Lubr. ○	DESIGN	P.D.	DATE NAME CHANGES	FROEHLICH FELSOMAT Automation & Engineering	DE-FLASHING PRESS GANTRY LOADER			
	DRAWN	P.D.			TITLE	SHEET	17/18	
	CHECKED	G.B.			EARTHING		SHEET	.
	DATE	APRIL 95			APPROVED	TB-D, TB-E		
DRAWING NO		F010-401-AA		NISSAN MOTOR MANUFACTURING (UK) LIMITED				

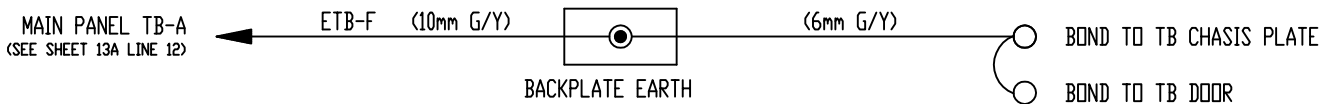
JWF No. F010-4XX-017

TB-F

KLIPPPON EARTH TERMINAL RAIL
MOUNTED INSIDE TERMINAL BOX

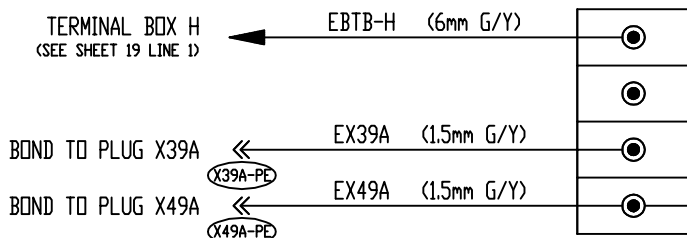


ALL TERMINALS (EK4)

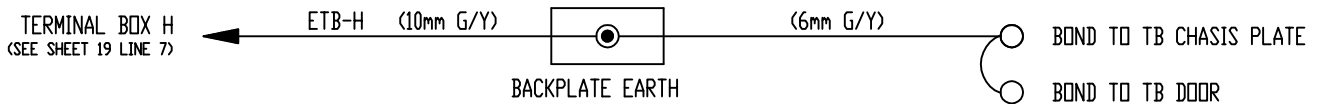


TB-G

KLIPPPON EARTH TERMINAL RAIL
MOUNTED INSIDE TERMINAL BOX

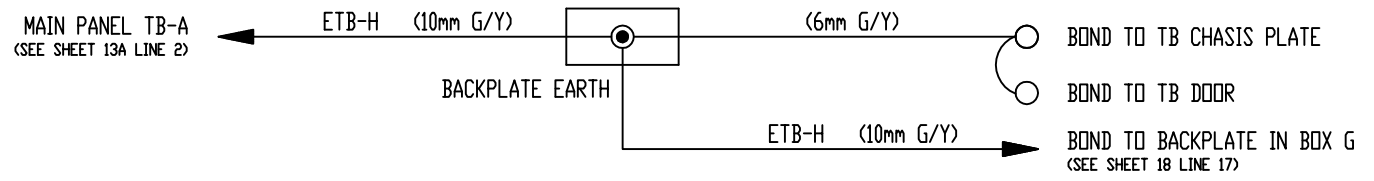
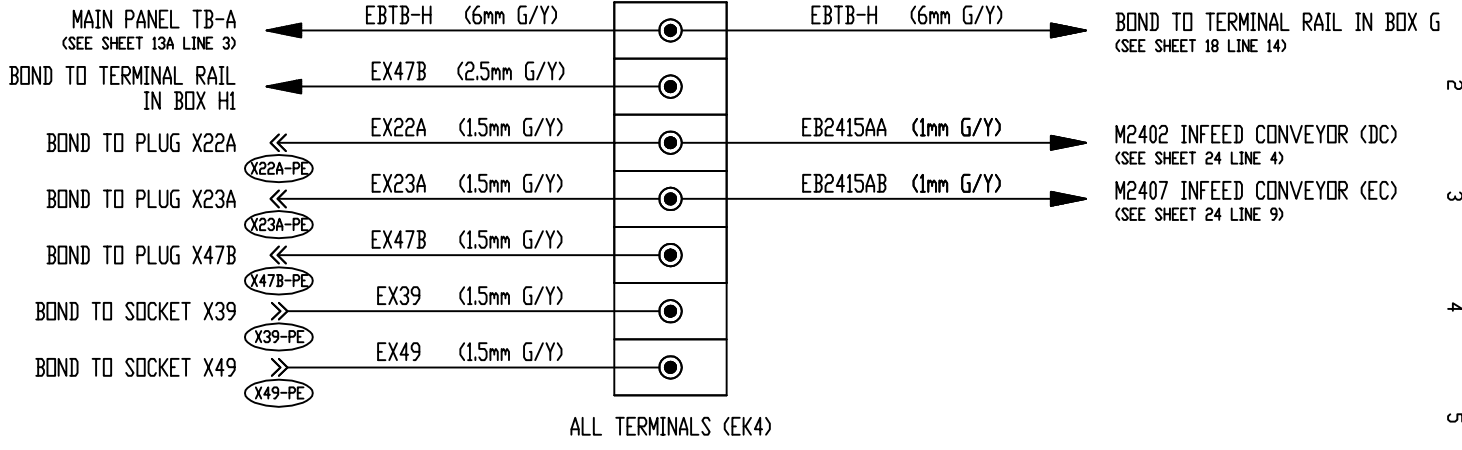


ALL TERMINALS (EK4)

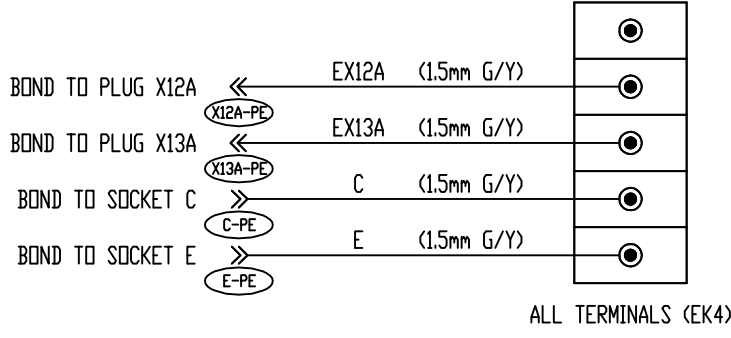


Elect. ● Hydr. ○ Pneum. ○ Lubr. ○ DATE APRIL 95	DESIGN	P.D.	CHANGES DATE NAME	 Automation & Engineering	DE-FLASHING PRESS GANTRY LOADER			
	DRAWN	P.D.			TITLE	SHEET	18/19	
	CHECKED	G.B.			EARTHING TB-F, TB-G		SHEET	
	APPROVED				NISSAN MOTOR MANUFACTURING (UK) LIMITED			
DRAWING NO		F010-401-AA						

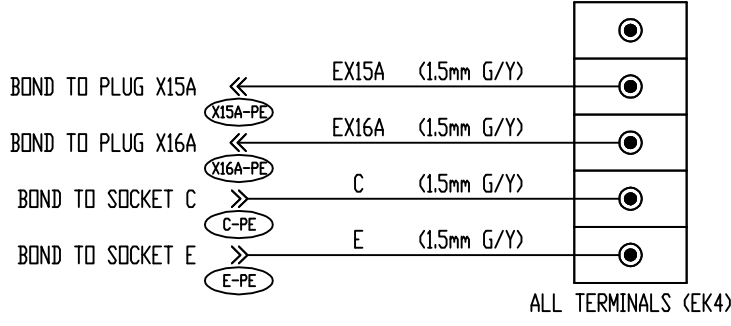
TB-H
KLIPPON EARTH TERMINAL RAIL
MOUNTED INSIDE TERMINAL BOX



WEKO PRESS 1 TB-J
KLIPPON EARTH TERMINAL RAIL
MOUNTED INSIDE TERMINAL BOX

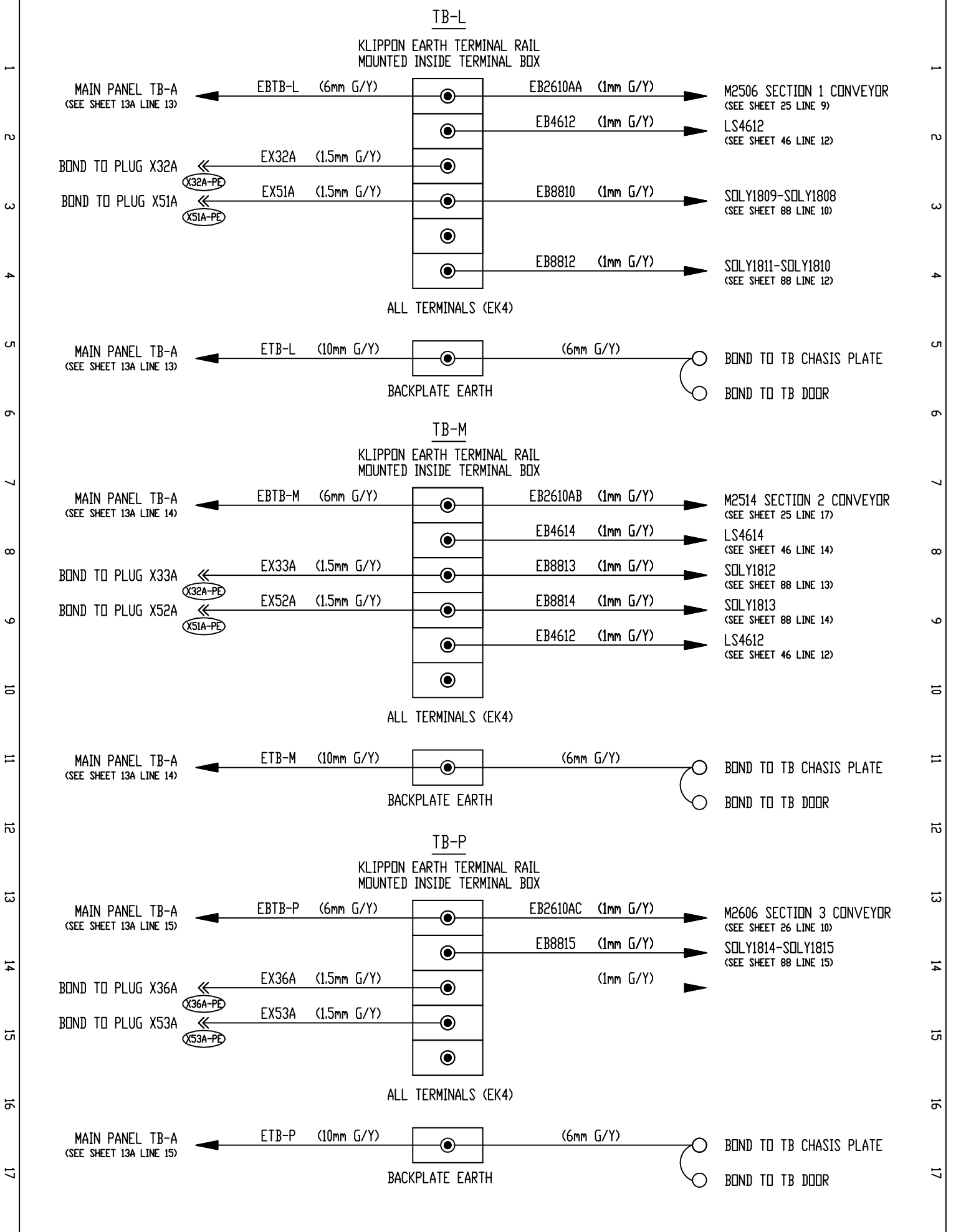


WEKO PRESS 2 TB-K
KLIPPON EARTH TERMINAL RAIL
MOUNTED INSIDE TERMINAL BOX



Elect. ● Hydr. ○ Pneum. ○ Lubr. ○	DESIGN	P.D.								 NISSAN MOTOR MANUFACTURING (UK) LIMITED	DE-FLASHING PRESS GANTRY LOADER	SHEET 19/19A
	DRAWN	P.D.									TITLE	SHEET
	CHECKED	G.B.									EARTHING TB-H, TB-J, TB-K	SHEET
	DATE	APPROVED	DRAWING NO F010-401-AA								NISSAN MOTOR MANUFACTURING (UK) LIMITED	.
APRIL 95												

JWF No.F010-4XX-019

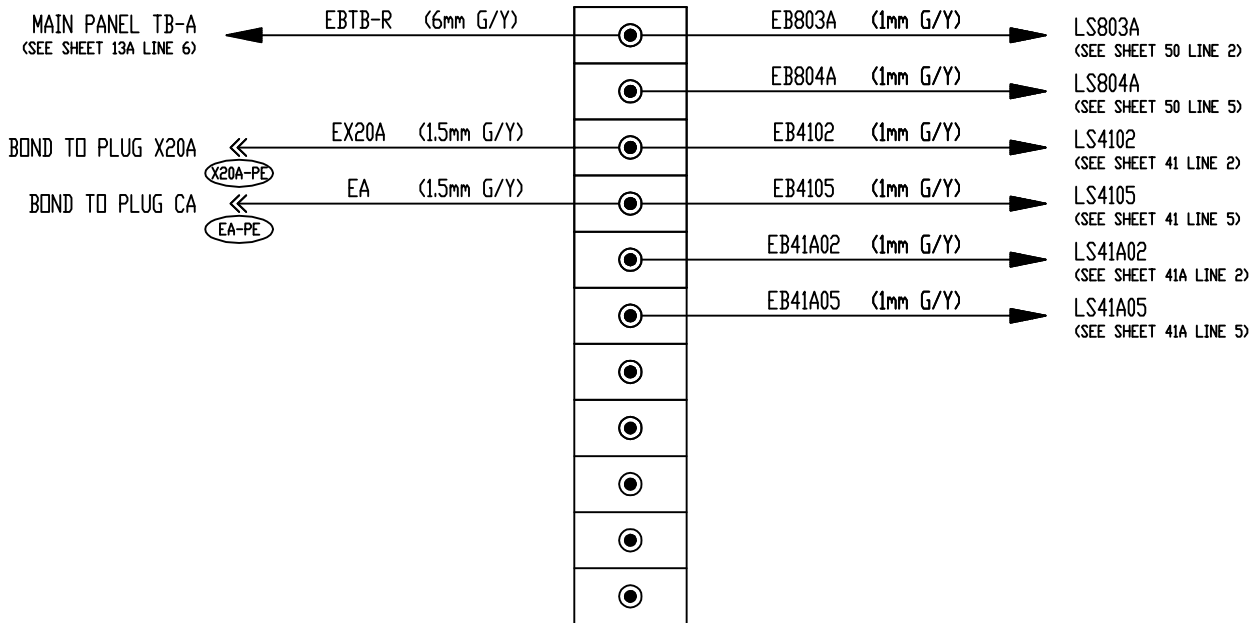


Elect. ● Hydr. ○ Pneum. ○ Lubr. ○ DATE APRIL 95	DESIGN P.D.	CHANGES DATE NAME	 NISSAN MOTOR MANUFACTURING (UK) LIMITED	DE-FLASHING PRESS GANTRY LOADER	
	DRAWN P.D.			TITLE EARTHING TB-L, TB-M, TB-P	SHEET 19A/19B
	CHECKED G.B.			DRAWING No F010-401-AA	SHEET
	APPROVED				

JWF No. F010-4XX-019A

TB-R

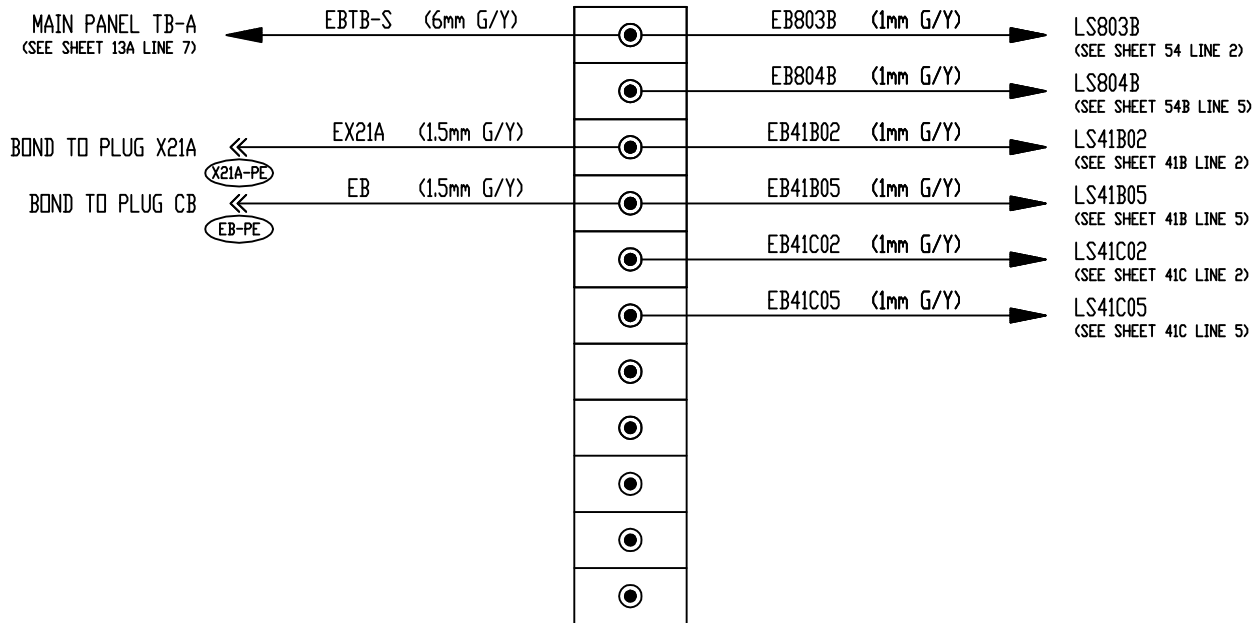
KLIPPON EARTH TERMINAL RAIL
MOUNTED INSIDE TERMINAL BOX



ALL TERMINALS (EK4)

TB-S

KLIPPON EARTH TERMINAL RAIL
MOUNTED INSIDE TERMINAL BOX



ALL TERMINALS (EK4)

Elect.	<input checked="" type="radio"/>	DESIGN	P.D.							DATE		CHANGES
Hydr.	<input type="radio"/>	DRAWN	P.D.							NAME		
Pneum.	<input type="radio"/>	CHECKED	G.B.									
Lubr.	<input type="radio"/>	APPROVED										
DATE	APRIL 95	DRAWING No	F010-401-AA									

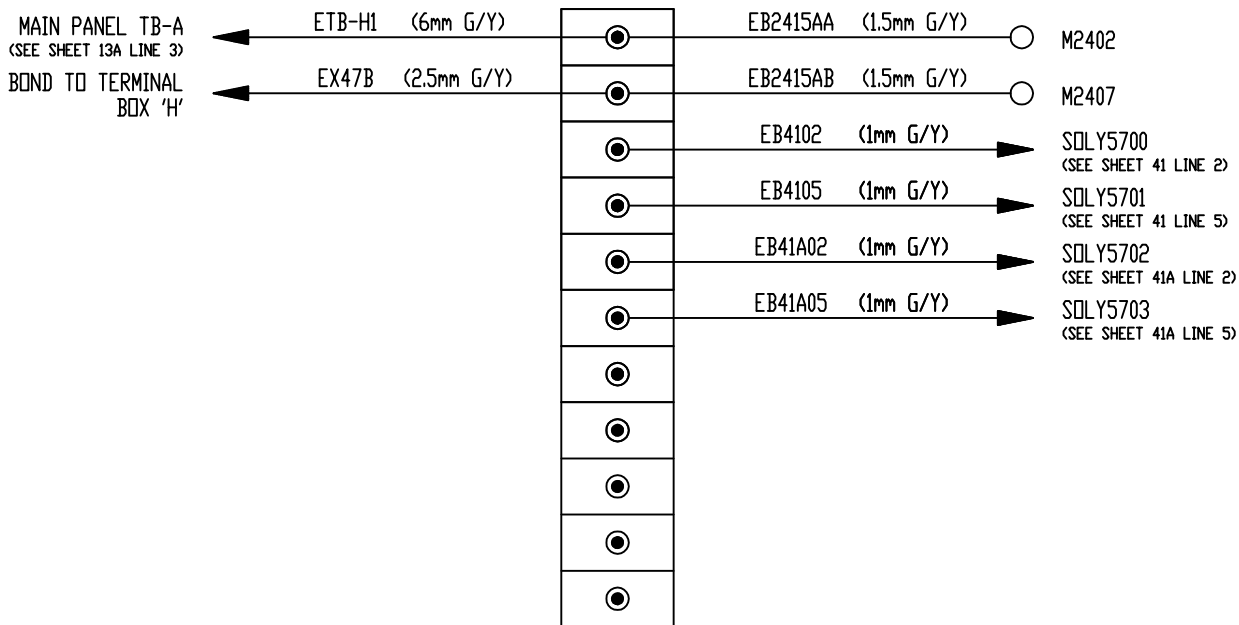
FROEHLICH
FELSO MAT
 Automation & Engineering

NISSAN MOTOR MANUFACTURING
(UK) LIMITED

DE-FLASHING PRESS GANTRY LOADER	
TITLE	SHEET
EARTHING TB-R, TB-S	19B/19C
	SHEET

TB-H1

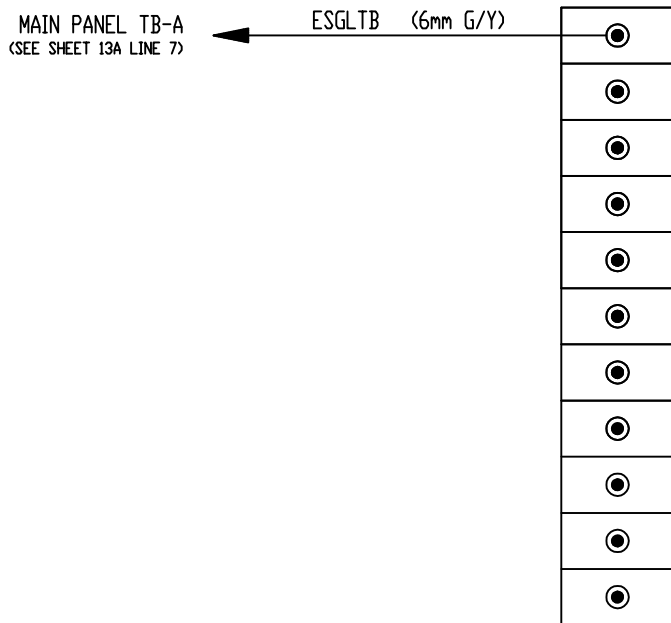
KLIPPON EARTH TERMINAL RAIL
MOUNTED INSIDE TERMINAL BOX



ALL TERMINALS (EK4)

TB-GL

KLIPPON EARTH TERMINAL RAIL
MOUNTED INSIDE TERMINAL BOX



ALL TERMINALS (EK4)

Elect.	●
Hydr.	○
Pneum.	○
Lubr.	○
DATE	APRIL 95

DESIGN	P.D.									DATE	
DRAWN	P.D.									NAME	
CHECKED	G.B.	DRAWING NO									
APPROVED		F010-401-AA									

FROEHLICH
FELSOMAT
Automation & Engineering

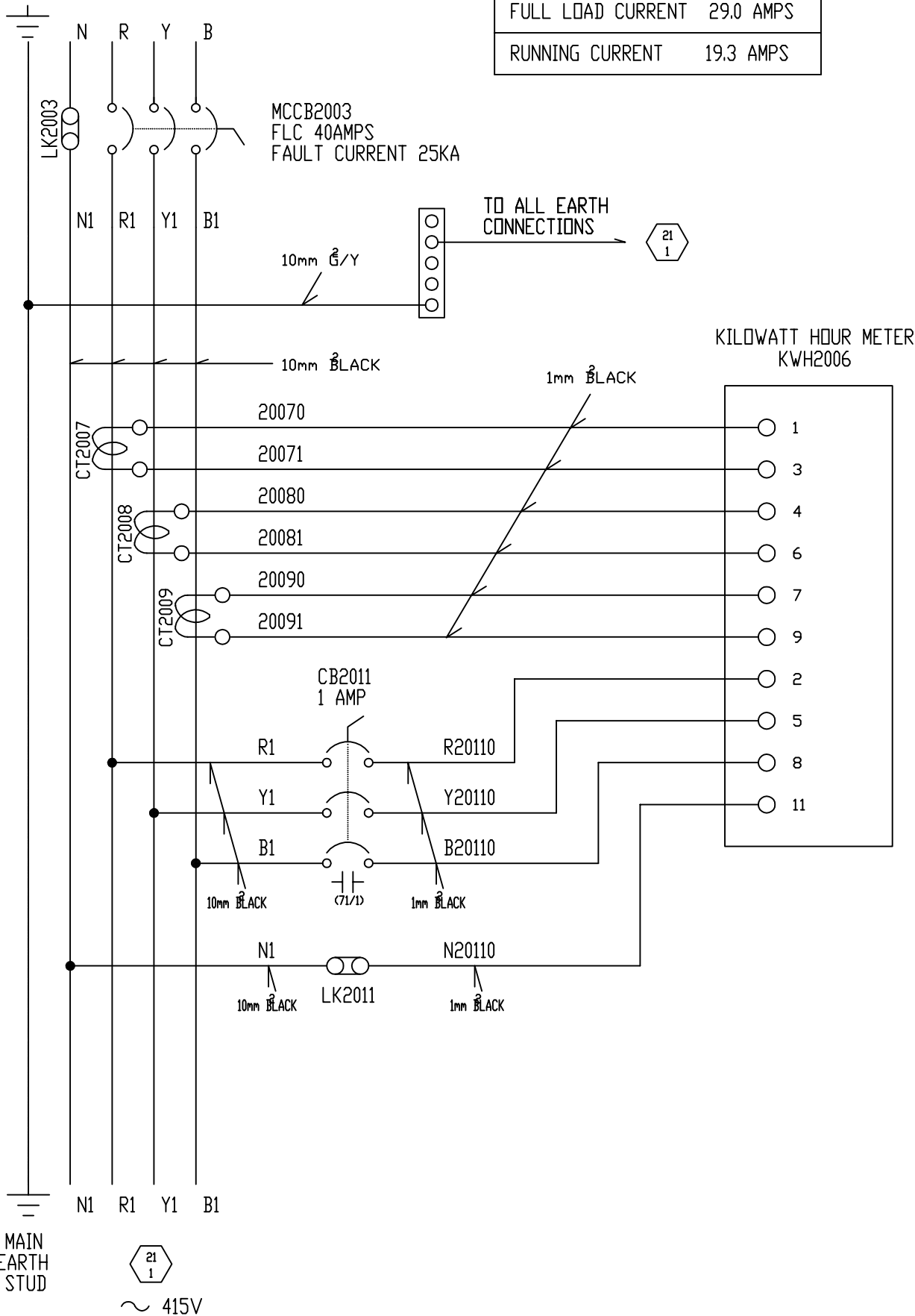
NISSAN MOTOR MANUFACTURING
(UK) LIMITED

DE-FLASHING PRESS GANTRY LOADER	
TITLE	SHEET
EARTHING TB-H1, TB-GL	19C/20
	SHEET

JWF No.F010-4XX-019C

~ 415V
3 PHASE A.C. 50 Hz
NEUTRAL AND EARTH

TOTAL LOAD	12.0 KVA
FULL LOAD CURRENT	29.0 AMPS
RUNNING CURRENT	19.3 AMPS



Elect.	<input checked="" type="radio"/>
Hydr.	<input type="radio"/>
Pneum.	<input type="radio"/>
Lubr.	<input type="radio"/>
DATE	APRIL 95

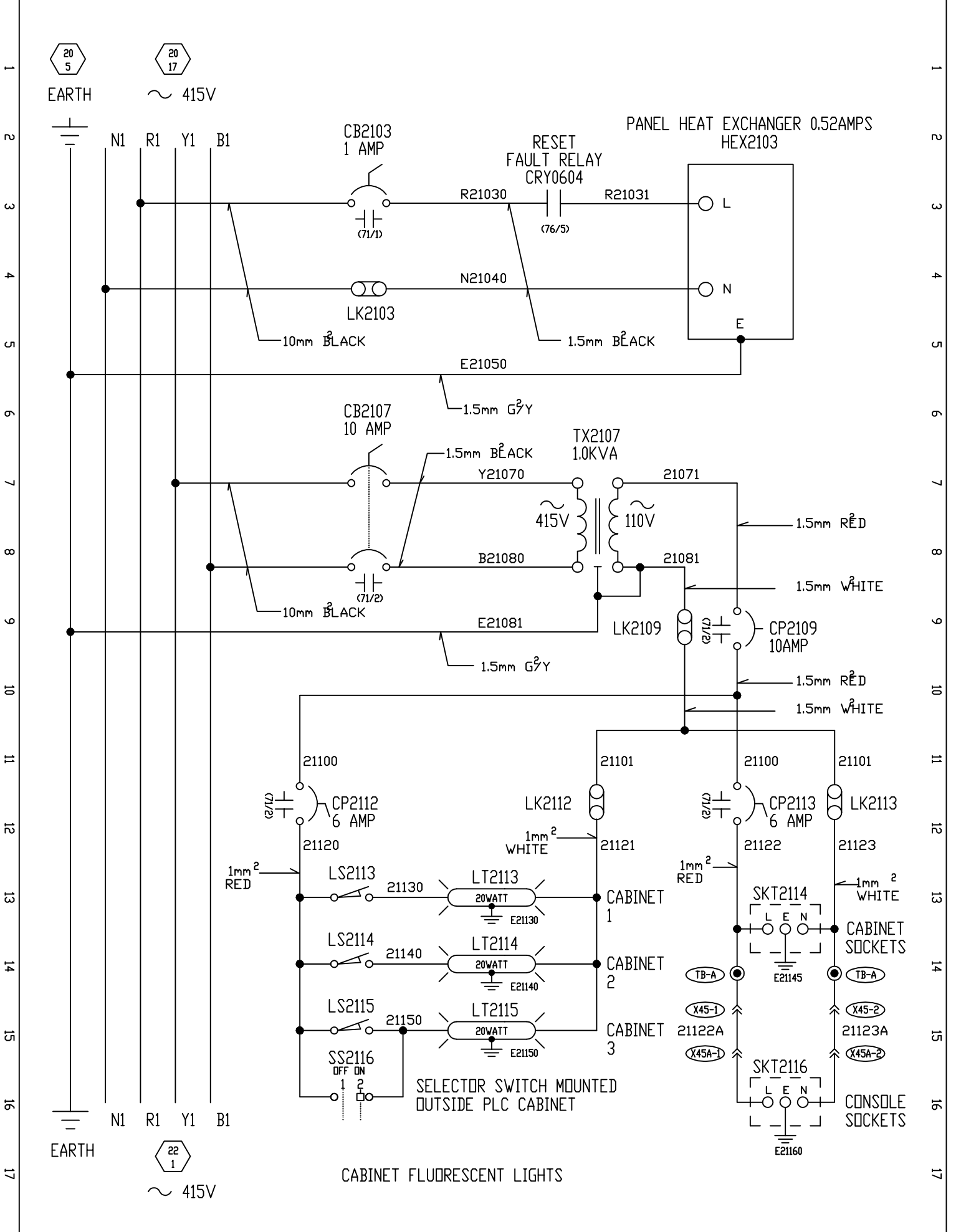
DESIGN	P.D.	DRAWING NO F010-401-AB
DRAWN	P.D.	
CHECKED	G.B.	
APPROVED		

FROEHLICH
FELSO MAT
Automation & Engineering

NISSAN MOTOR MANUFACTURING
(UK) LIMITED No4870

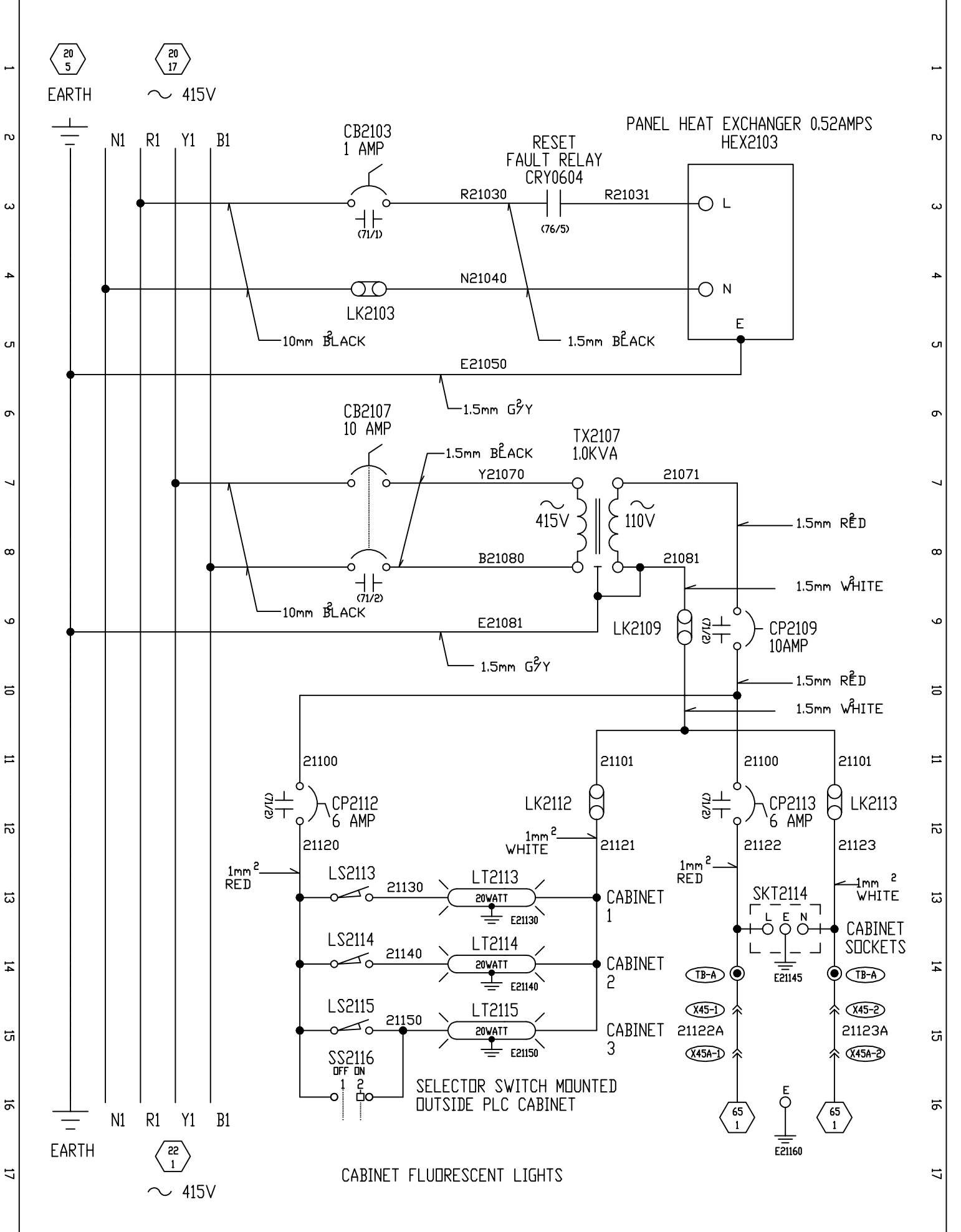
DE-FLASHING PRESS GANTRY LOADER	
TITLE	SHEET
INCOMING MAINS SUPPLY SHEET	20/21
	SHEET

JWF No.F010-4XX-020



Elect. <input checked="" type="radio"/>	DESIGN	P.D.	DATE	CHANGES		DE-FLASHING PRESS GANTRY LOADER		
Hydr. <input type="radio"/>	DRAWN	P.D.	NAME			TITLE	SHEET	21/22
Pneum. <input type="radio"/>	CHECKED	G.B.	DRAWING NO			HEAT EXCHANGER LIGHTING AND SOCKETS		SHEET
Lubr. <input type="radio"/>	APPROVED		F010-401-AA			NISSAN MOTOR MANUFACTURING (UK) LIMITED No4870		
DATE	APRIL 95							

JWF No.F010-4XX-021



Elect.	●
Hydr.	○
Pneum.	○
Lubr.	○
DATE	APRIL 95

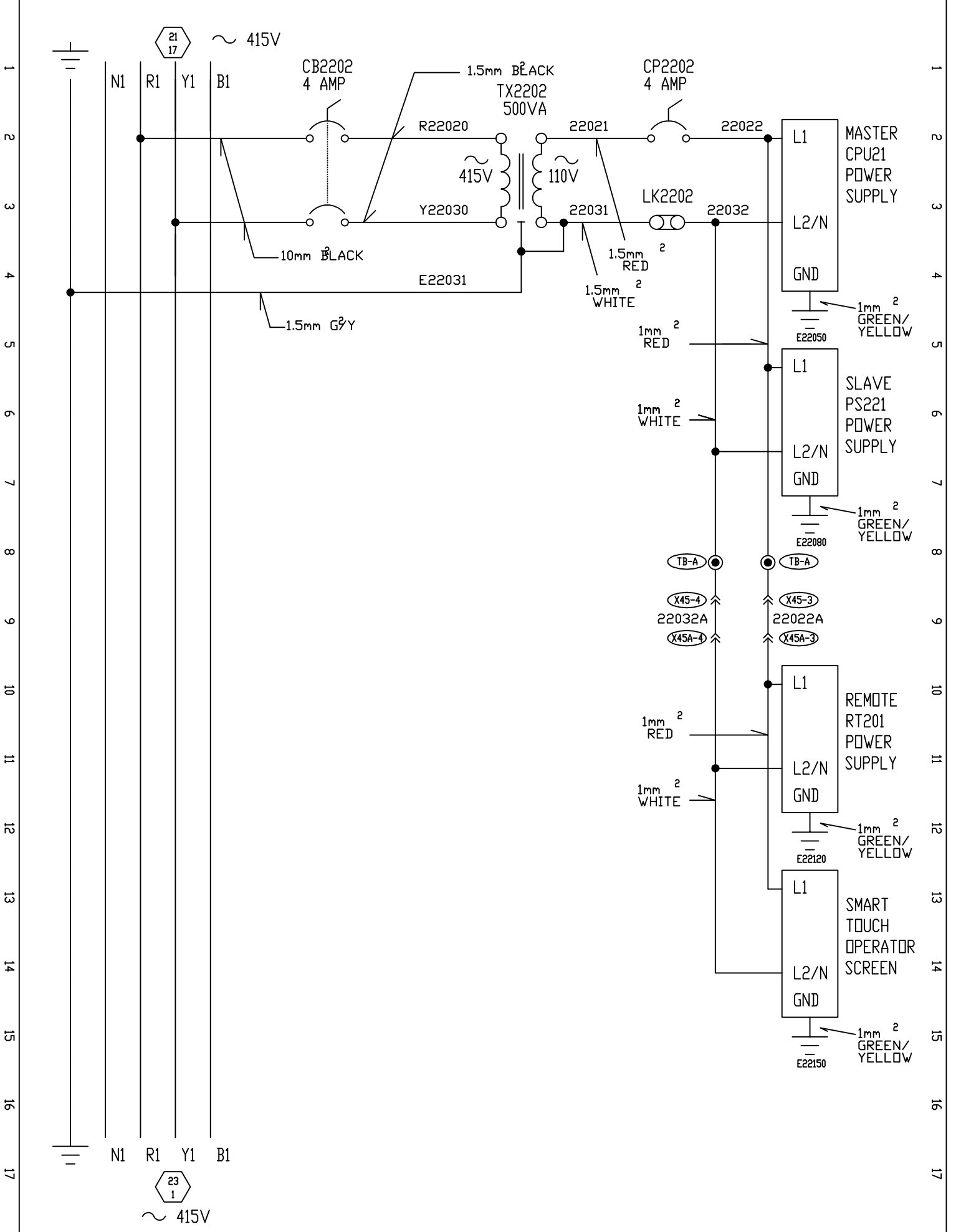
DESIGN	P.D.
DRAWN	
CHECKED	P.D.
APPROVED	G.B.
DRAWING No	F010-401-AA

FROEHLICH
FELSO MAT
Automation & Engineering

NISSAN MOTOR MANUFACTURING
(UK) LIMITED No4870


DE-FLASHING PRESS GANTRY LOADER	
TITLE	SHEET 21/22
HEAT EXCHANGER LIGHTING AND SOCKETS	SHEET

JWF No.F010-4XX-021



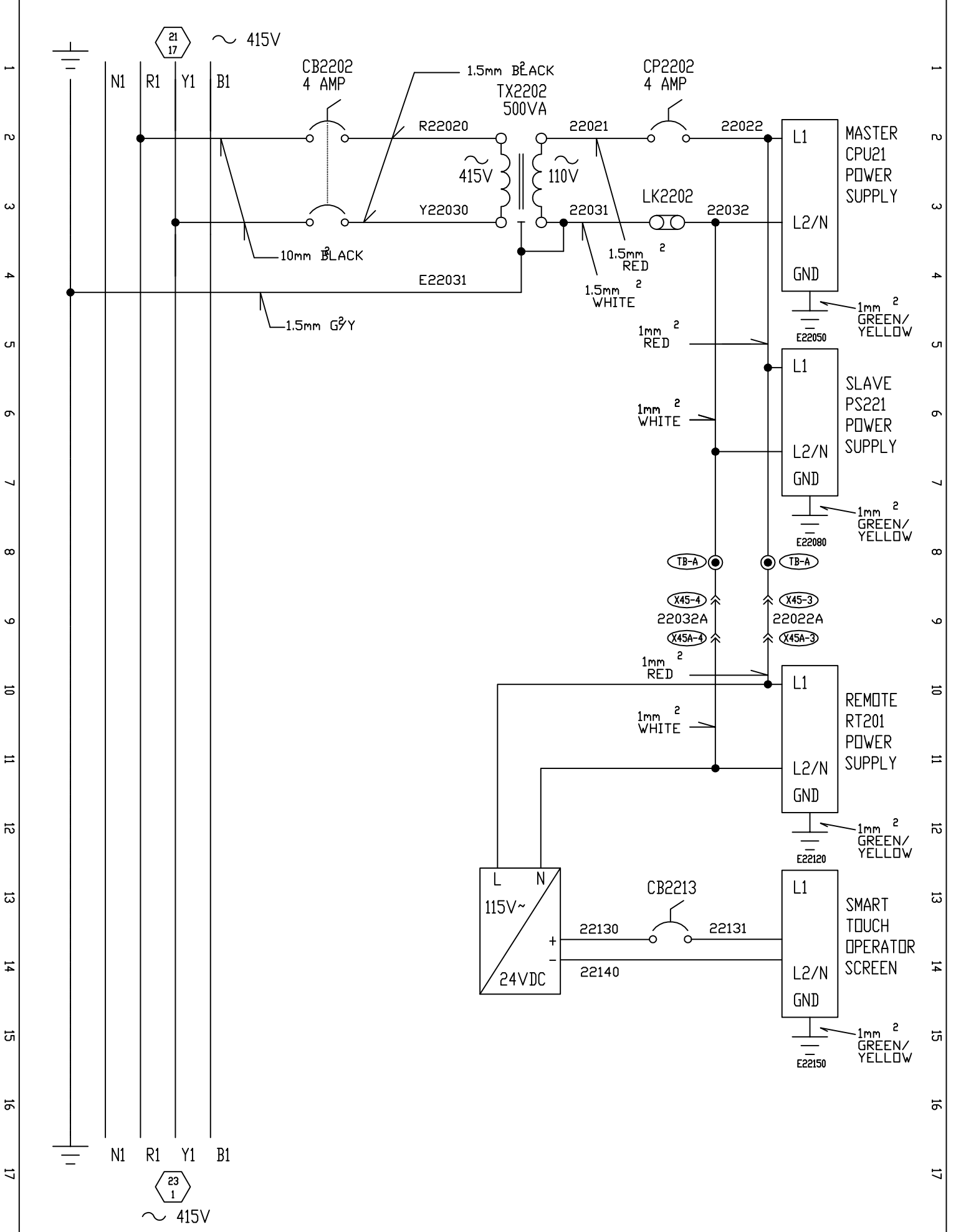
Elect.	<input checked="" type="radio"/>
Hydr.	<input type="radio"/>
Pneum.	<input type="radio"/>
Lubr.	<input type="radio"/>
DATE	APRIL 95

DESIGN	P.D.
DRAWN	
CHECKED	P.D.
APPROVED	G.B.
DRAWING NO.	F010-401-AA


FROEHLICH
FELSOMAT
 Automation & Engineering
 NISSAN MOTOR MANUFACTURING
 (UK) LIMITED No4870


DE-FLASHING PRESS GANTRY LOADER	
TITLE	SHEET 22/22A
PLC DISTRIBUTION SUPPLY SHEET	SHEET

JWF No.F010-4XX-022



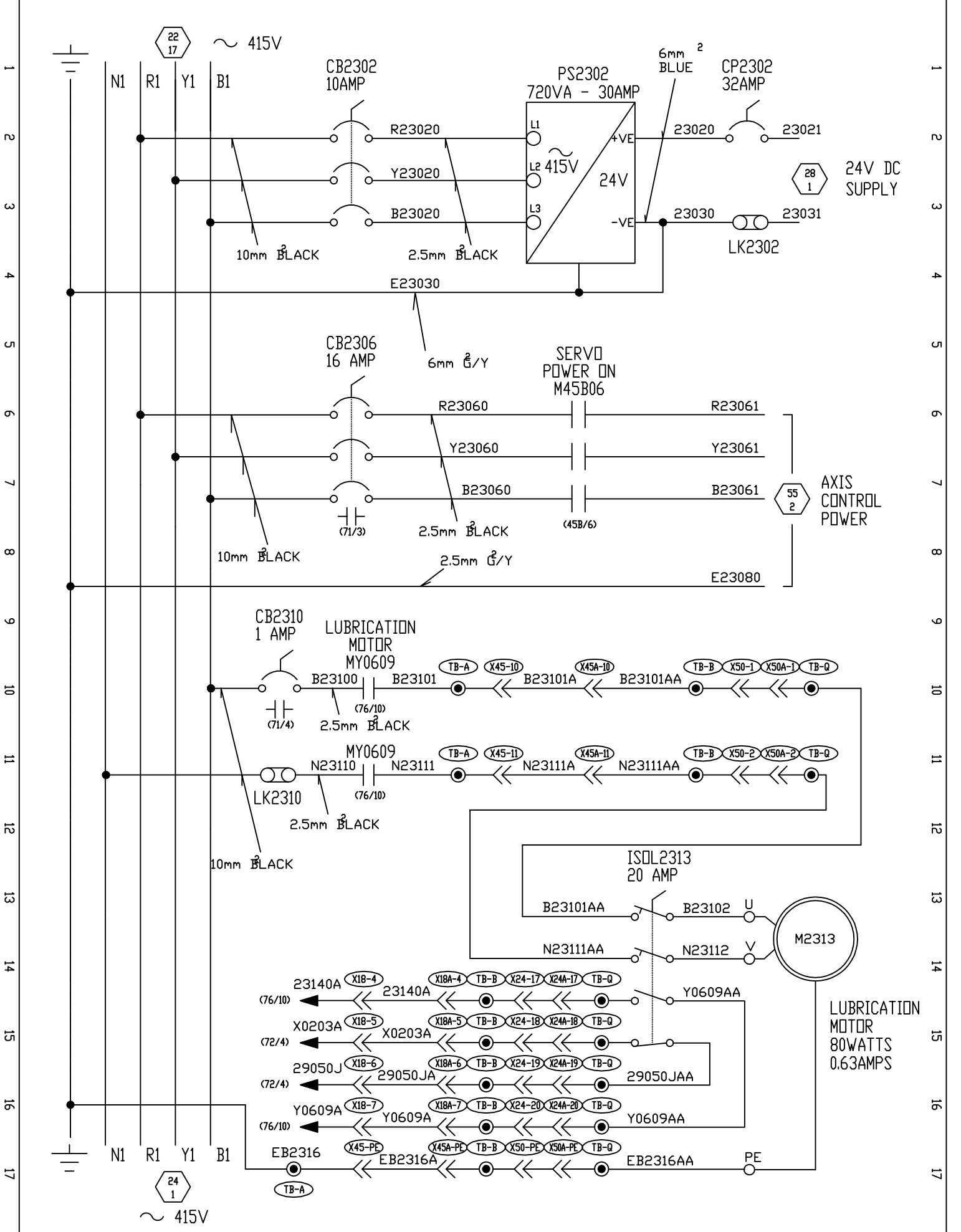
Elect.	●
Hydr.	○
Pneum.	○
Lubr.	○
DATE	APRIL 95

DESIGN	P.D.
DRAWN	
CHECKED	P.D.
APPROVED	G.B.
DATE	10/7/06
CONTR.	Con'tron
DATE	8/9/00
DCS	
NAME	
CHANGES	
DRAWING NO	F010-401-AA


FROEHLICH FELSOMAT
 Automation & Engineering
 NISSAN MOTOR MANUFACTURING
 (UK) LIMITED No4870

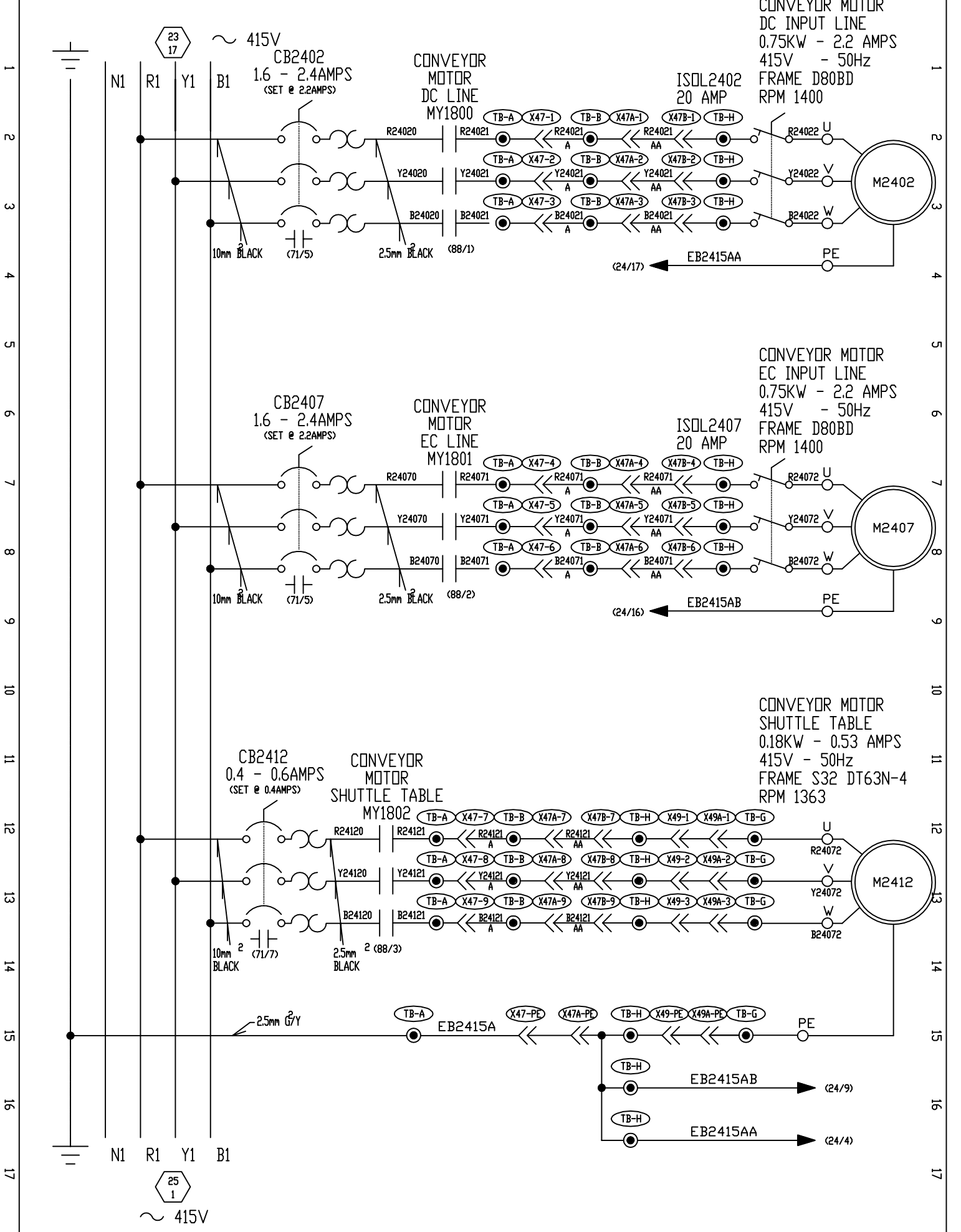
DE-FLASHING PRESS GANTRY LOADER	
TITLE	SHEET 22/22A
PLC DISTRIBUTION SUPPLY SHEET	SHEET

JWF No.F010-4XX-022



Elect. <input checked="" type="radio"/> Hydr. <input type="radio"/> Pneum. <input type="radio"/> Lubr. <input type="radio"/>	DESIGN	P.D.	DATE NAME CHANGES		DE-FLASHING PRESS GANTRY LOADER	
	DRAWN	P.D.			TITLE	SHEET
	CHECKED	G.B.			415V AC POWER DISTRIBUTION SHEET	23/24
	APPROVED				NISSAN MOTOR MANUFACTURING (UK) LIMITED No4870	SHEET
DATE	DRAWING NO					
APRIL 95	F010-401-AB					

JWF No.F010-4XX-023



Elect.	●
Hydr.	○
Pneum.	○
Lubr.	○
DATE	APRIL 95

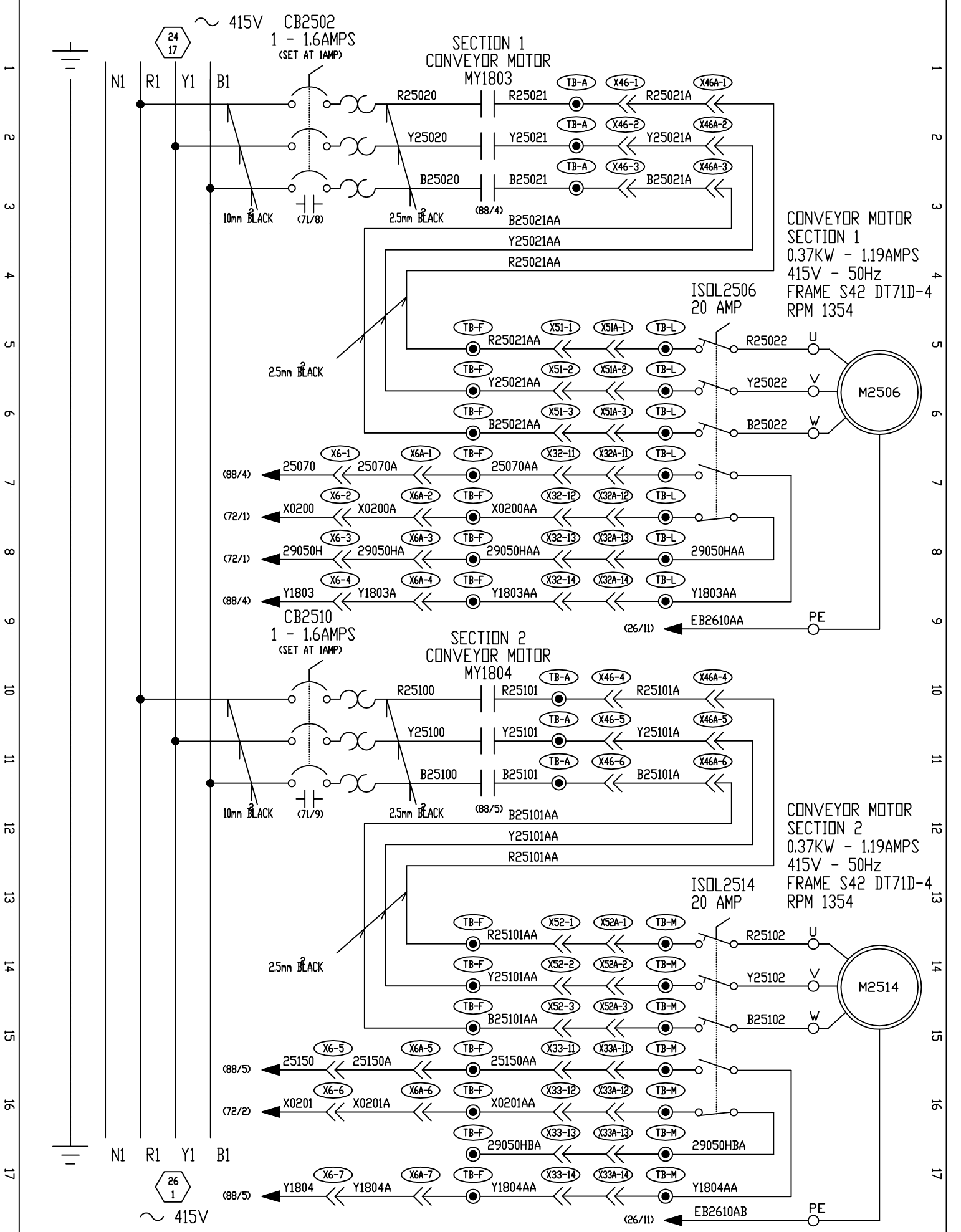
DESIGN	P.D.
DRAWN	
CHECKED	P.D.
APPROVED	G.B.
DRAWING NO	F010-401-AC

FROEHLICH
FELSOMAT
 Automation & Engineering

NISSAN MOTOR MANUFACTURING
 (UK) LIMITED No4870

DE-FLASHING PRESS GANTRY LOADER	
TITLE	415V AC POWER DISTRIBUTION SHEET
SHEET	24/25
SHEET	

JWF No.F010-4XX-024



CONVEYOR MOTOR
SECTION 1
0.37KW - 1.19AMPS
415V - 50Hz
FRAME S42 DT71D-4
RPM 1354

CONVEYOR MOTOR
SECTION 2
0.37KW - 1.19AMPS
415V - 50Hz
FRAME S42 DT71D-4
RPM 1354

Elect.	<input checked="" type="radio"/>
Hydr.	<input type="radio"/>
Pneum.	<input type="radio"/>
Lubr.	<input type="radio"/>
DATE	APRIL 95

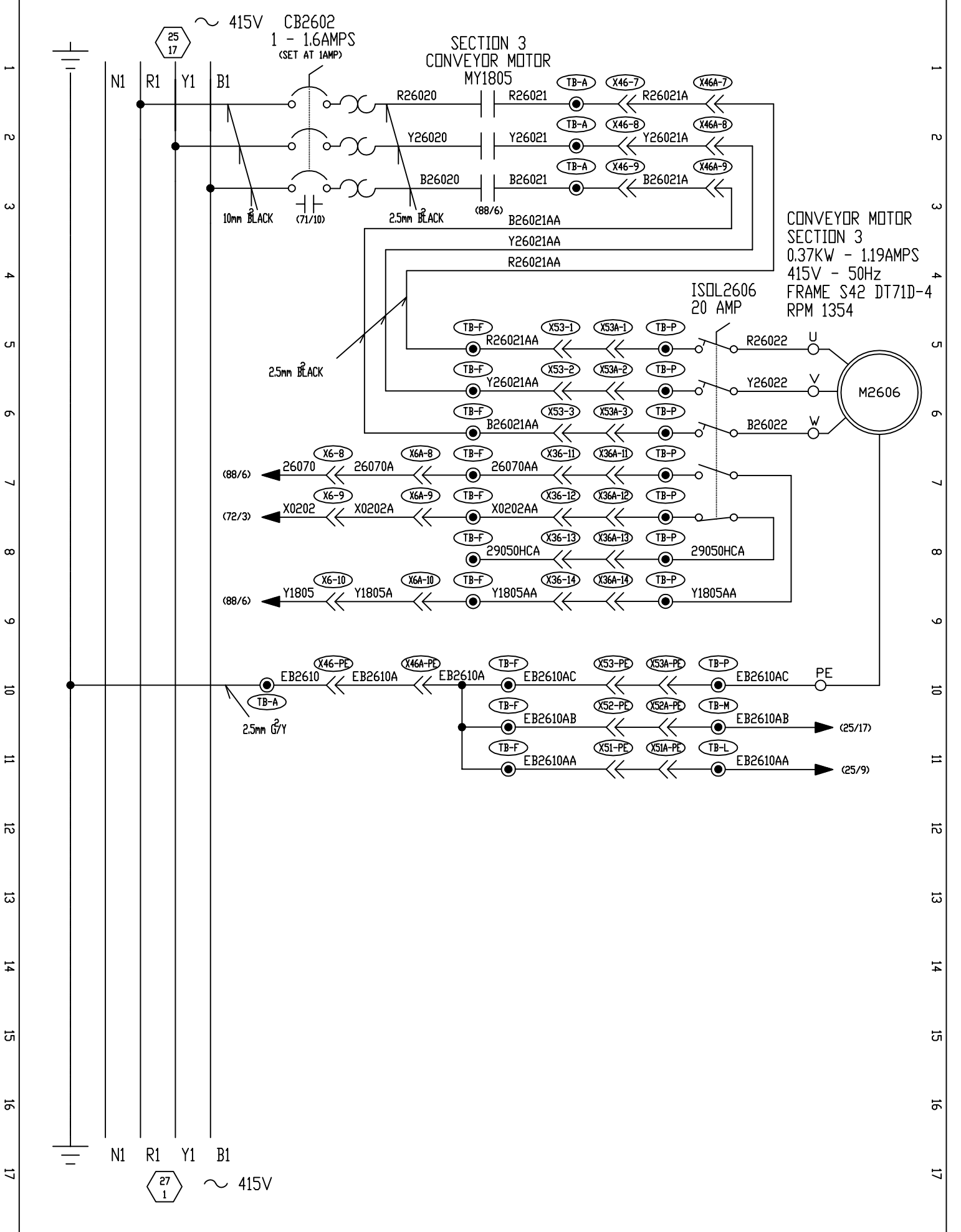
DESIGN	P.D.	DATE	
DRAWN		NAME	
CHECKED	P.D.	CHANGES	
APPROVED	G.B.	DRAWING NO	F010-401-AC

FROEHLICH
FELSO MAT
Automation & Engineering

NISSAN MOTOR MANUFACTURING
(UK) LIMITED No4870

DE-FLASHING PRESS GANTRY LOADER	
TITLE	SHEET 25/26
415V AC POWER DISTRIBUTION SHEET	SHEET


JWF No.F010-4XX-025



CONVEYOR MOTOR
SECTION 3
0.37KW - 1.19AMPS
415V - 50Hz
FRAME S42 DT71D-4
RPM 1354

Elect.	<input checked="" type="radio"/>
Hydr.	<input type="radio"/>
Pneum.	<input type="radio"/>
Lubr.	<input type="radio"/>
DATE	APRIL 95

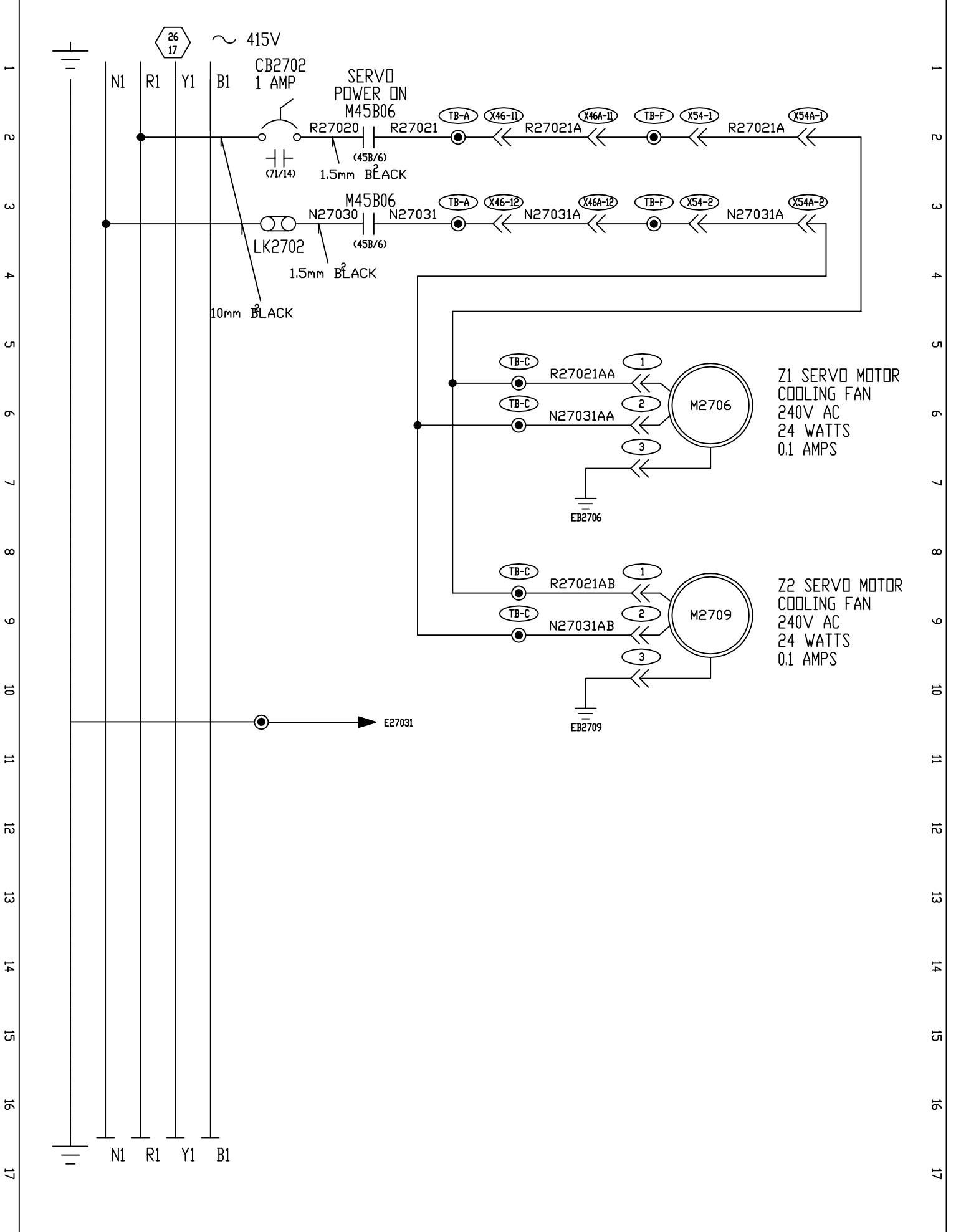
DESIGN	P.D.
DRAWN	
CHECKED	P.D.
APPROVED	G.B.
DRAWING NO	F010-401-AB


FROEHLICH
FELSO MAT
 Automation & Engineering

NISSAN MOTOR MANUFACTURING
 (UK) LIMITED No4870

DE-FLASHING PRESS GANTRY LOADER	
TITLE	SHEET
415V AC POWER DISTRIBUTION SHEET	26/27
	SHEET

JWF No.F010-4XX-026



Elect.	<input checked="" type="radio"/>
Hydr.	<input type="radio"/>
Pneum.	<input type="radio"/>
Lubr.	<input type="radio"/>
DATE	APRIL 95

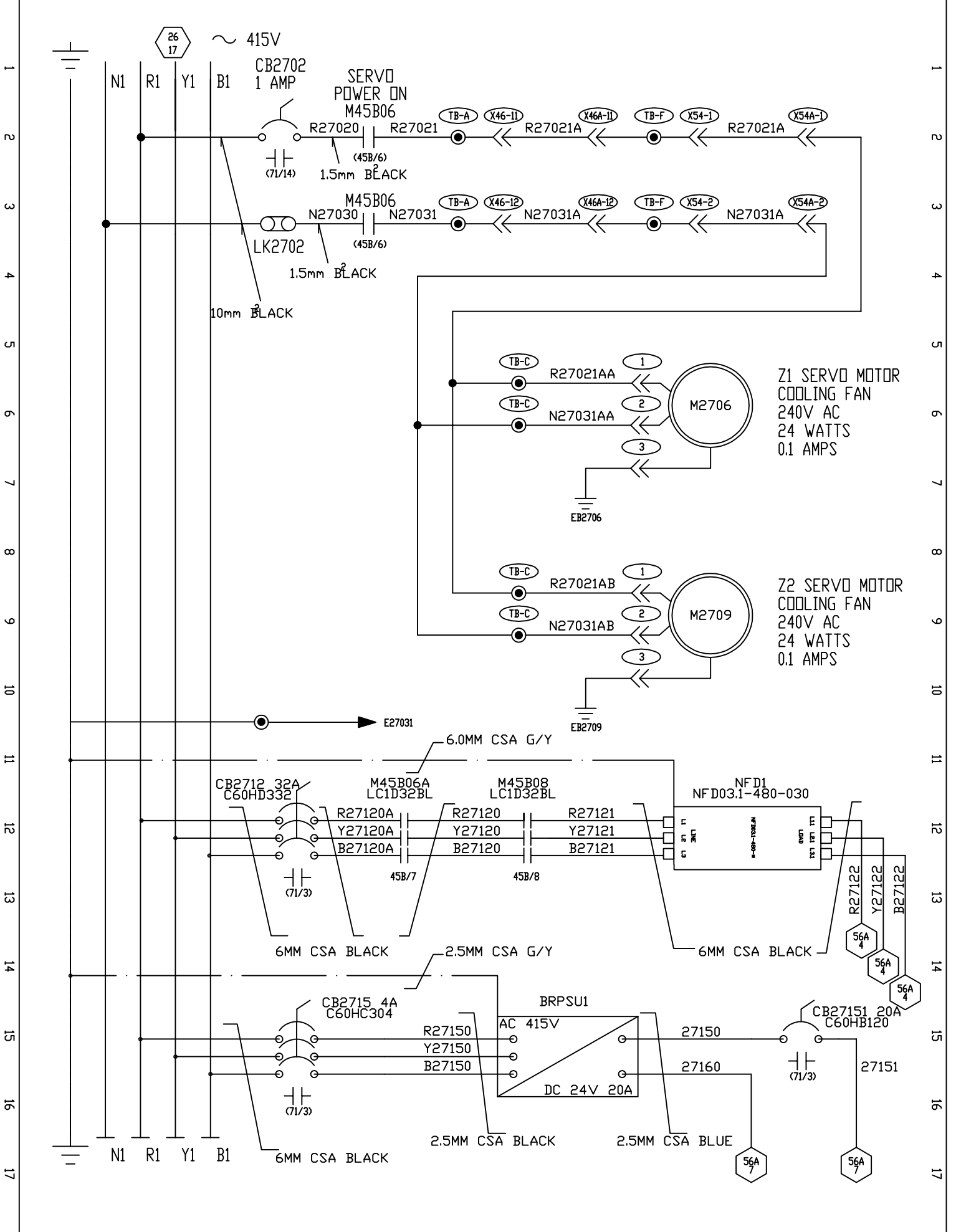
DESIGN	P.D.
DRAWN	P.D.
CHECKED	G.B.
APPROVED	
DRAWING NO	F010-401-AB

FROEHLICH
FELSOMAT
 Automation & Engineering

NISSAN MOTOR MANUFACTURING
 (UK) LIMITED No4870


DE-FLASHING PRESS GANTRY LOADER	
TITLE	SHEET
415V AC POWER SERVO COOLING FANS	27/28
	SHEET

JWF No.F010-4XX-027



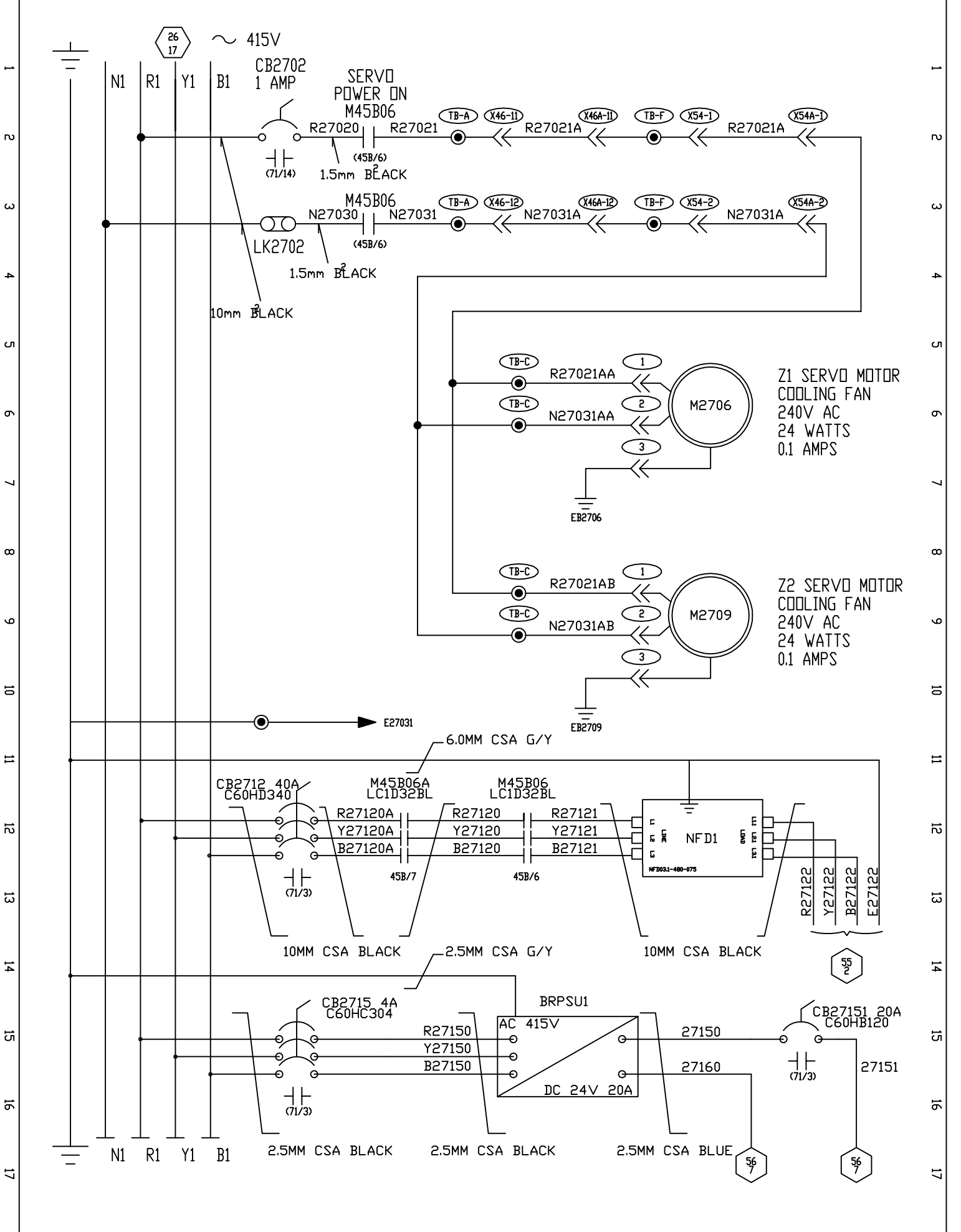
Elect.	●
Hydr.	○
Pneum.	○
Lubr.	○
DATE	APRIL 95

DESIGN	P.D.
DRAWN	
CHECKED	P.D.
APPROVED	G.B.
DRAWING NO	F010-401-AB


FROEHLICH FELSOMAT
 Automation & Engineering
 NISSAN MOTOR MANUFACTURING
 (UK) LIMITED No4870

DE-FLASHING PRESS GANTRY LOADER	
TITLE	SHEET
415V AC POWER SERVO COOLING FANS	27/28
	SHEET

JWF No.F010-4XX-027

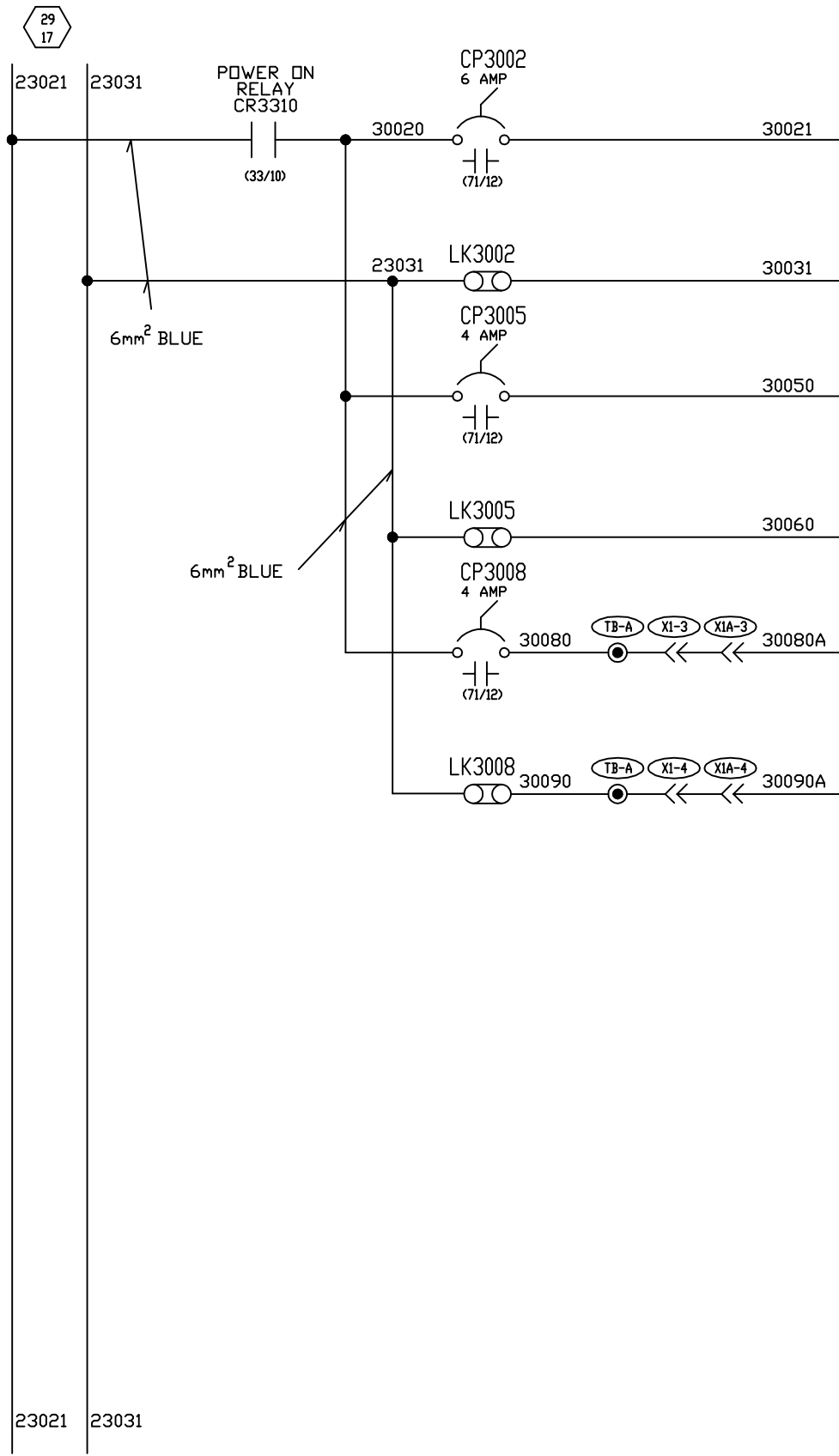


Elect. <input checked="" type="radio"/>	DESIGN	P.D.																		
Hydr. <input type="radio"/>	DRAWN																			
Pneum. <input type="radio"/>	CHECKED	P.D.																		
Lubr. <input type="radio"/>	APPROVED	G.B.																		
DATE APRIL 95	DRAWING No	F010-401-AB		FROEHLICH FELSO MAT Automation & Engineering		NISSAN MOTOR MANUFACTURING (UK) LIMITED No4870		DE-FLASHING PRESS GANTRY LOADER TITLE 415V AC POWER SERVO COOLING FANS		SHEET 27/28 SHEET										

JWF No.F010-4XX-027

24VDC 0VDC

24VDC SUPPLIES
BEFORE CONTROLS ON



75
1
RACK 0
OUTPUT CARDS
5-6

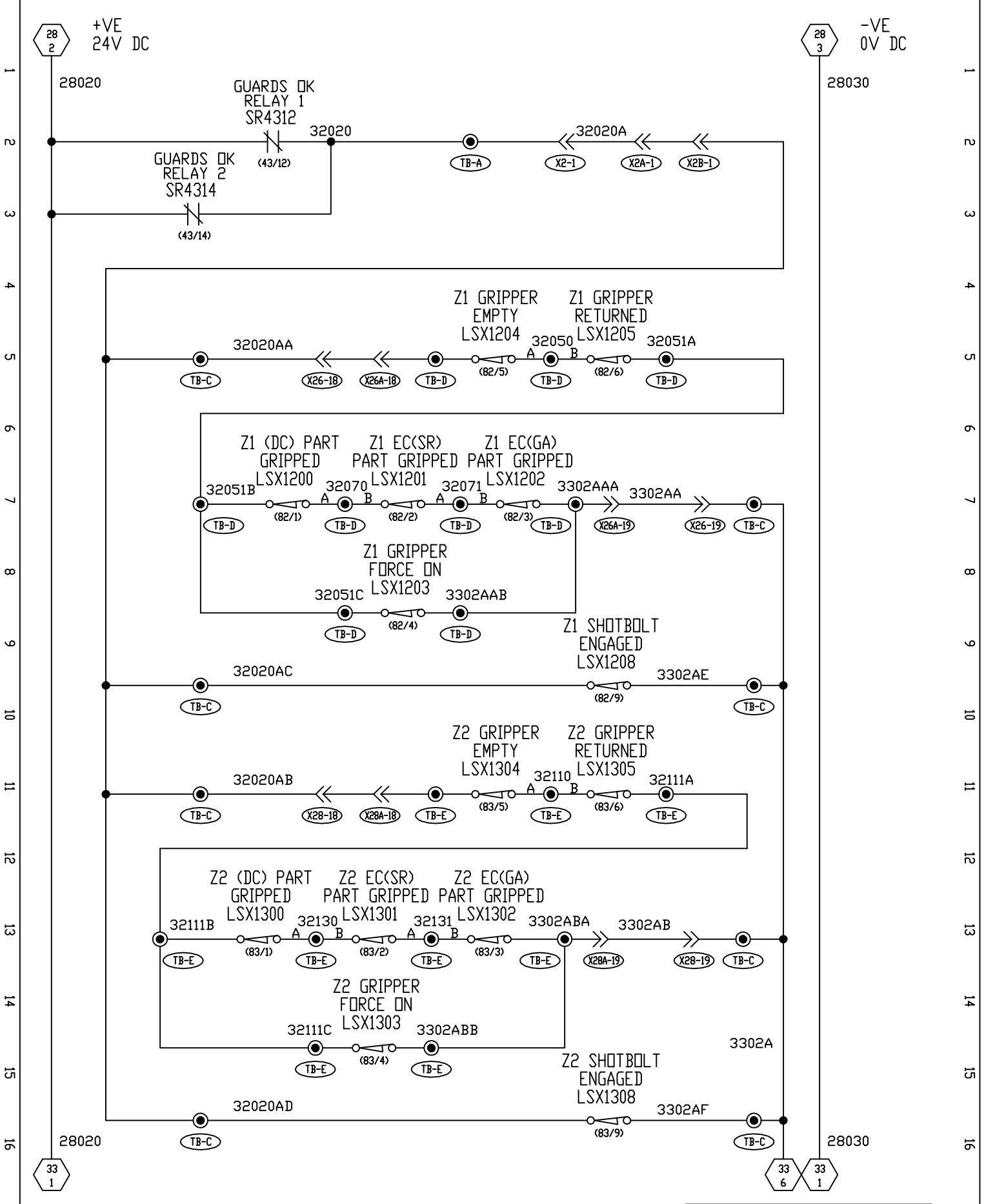
89
1
RACK 1
OUTPUT CARD
9,5

96
1
RACK 5
OUTPUT CARD
6

ALL WIRES 1.0mm² BLUE
UNLESS STATED OTHERWISE

REV./DATE	APRIL 95	19/08/96	SCALE	N.T.S	© THIS DRAWING IS THE PROPERTY OF SILVERTECH (NORTHERN) LTD. IT IS SUPPLIED IN CONFIDENCE & MAY NOT BE COPIED OR EXHIBITED WITHOUT WRITTEN PERMISSION.	CLIENT:-	NMUK Ltd.	
DRAWN	P.D (JWF)	R.MAUN	SIZE	A3		TITLE:-	DE-FLASHING PRESS GANTRY LOADER	
CHECKED	G.B (JWF)		TOLERANCE				24VDC SUPPLIES AFTER CONTROL ON	
APPROVED			ALL DIMENSIONS IN MILLIMETRES UNLESS OTHERWISE STATED			DRAWN	CHECKED	APP'D
ECN No.	F010-401-AA	043GAN30.DWG				R.M	D.P	P.A.M
						APPROVED DATE:	19/08/96	
						DOCUMENT No.	0043/GANTRY/30-31	
						SHEET	30/31	





ALL WIRES 1.0mm² BLUE
UNLESS STATED OTHERWISE

Elect.	●
Hydr.	○
Pneum.	○
Lubr.	○
DATE	APRIL 95

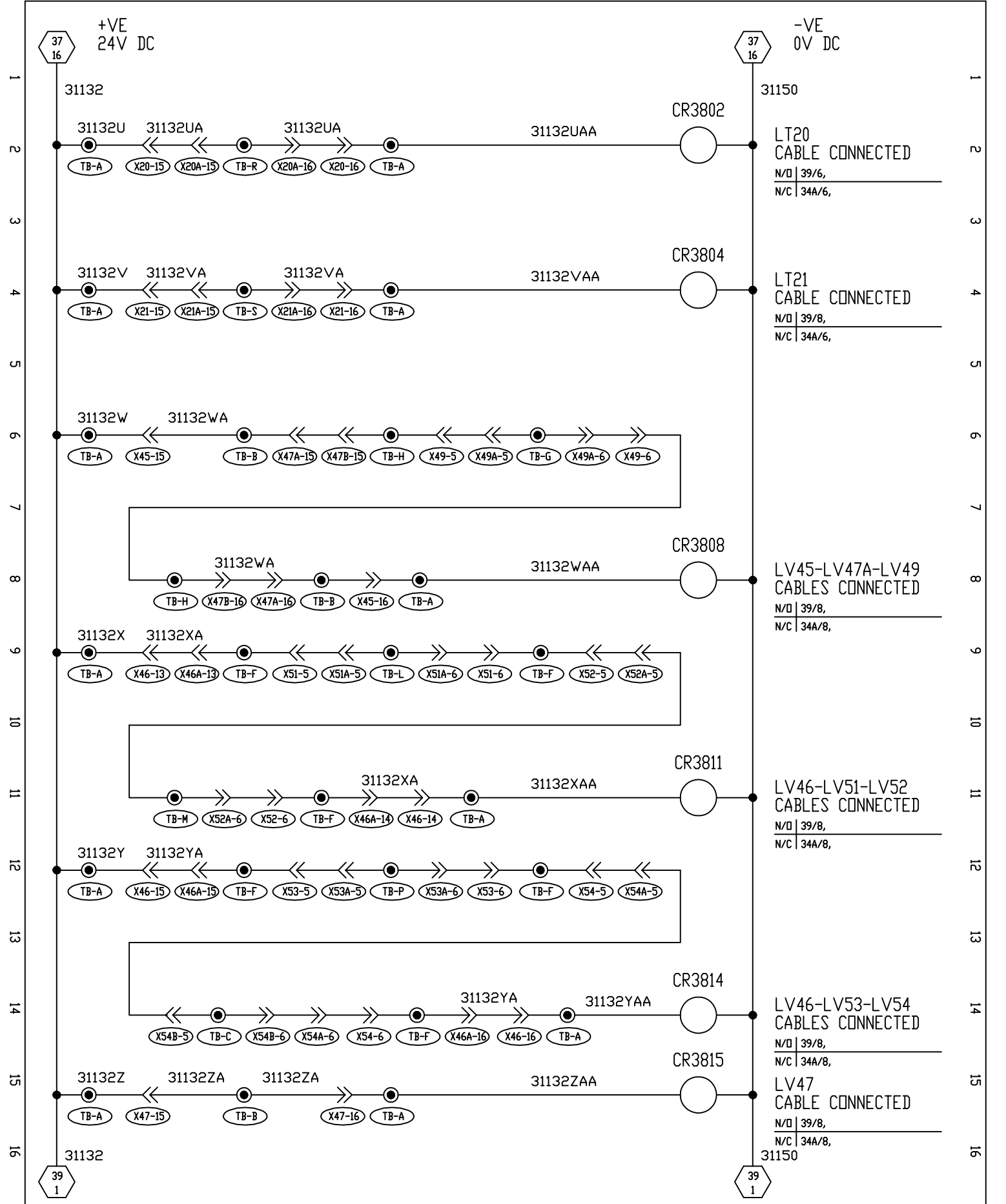
DESIGN/Project/td	P.D.	DATE	
DRAWN	P.D.	NAME	
CHECKED	G.B.		
APPROVED			
DRAWING NO F010-401-AB			

FROEHLICH
FELSO MAT
Automation & Engineering

NISSAN MOTOR MANUFACTURING
(UK) LIMITED No4870

DE-FLASHING PRESS GANTRY LOADER	
TITLE	SHEET
AXIS Z1 - Z2 GRIPPERS FAILED	32/33
	SHEET
	1

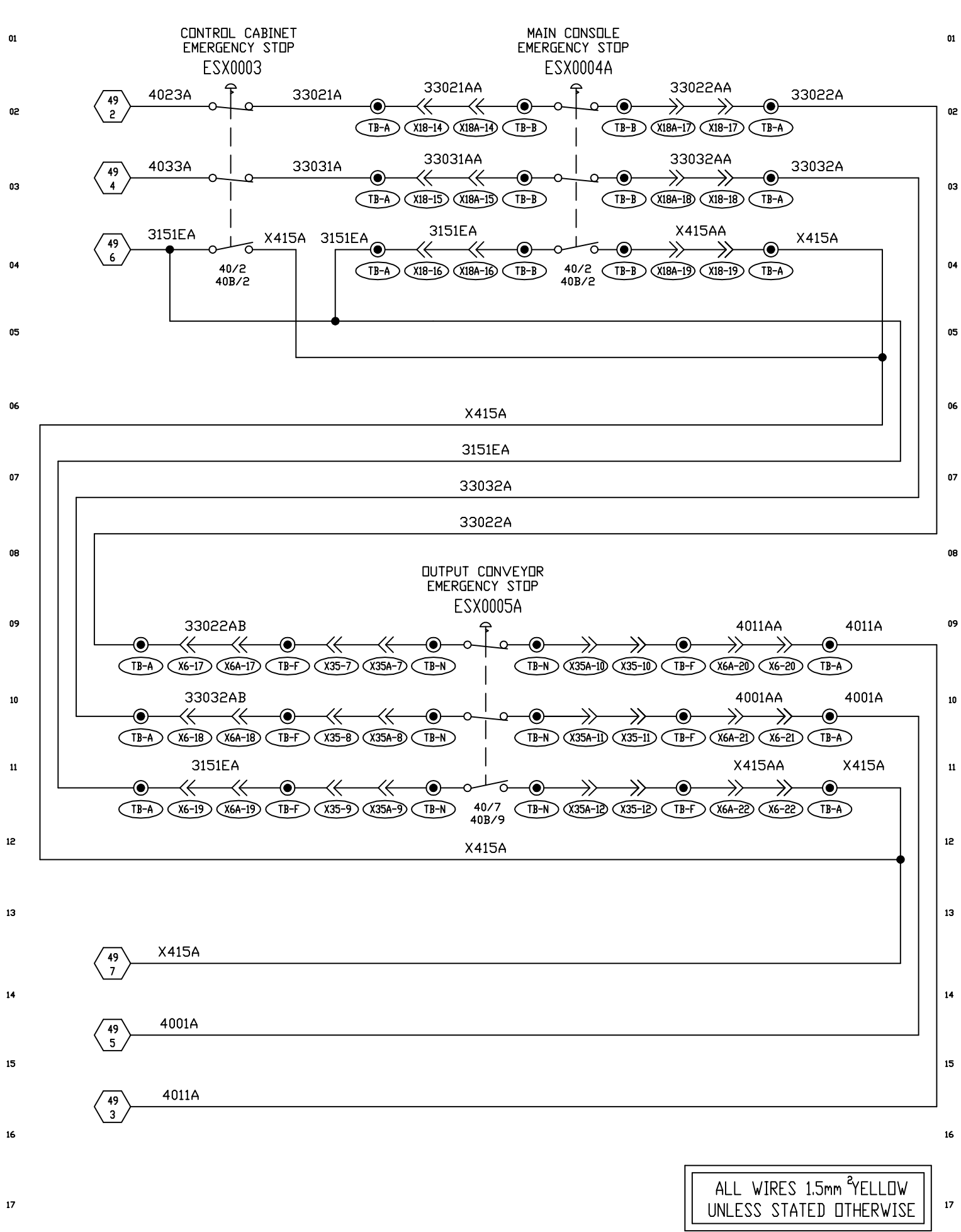
JWF No.F010-4XX-032




ALL WIRES 1.0mm² BLUE UNLESS STATED OTHERWISE

Elect. <input checked="" type="radio"/> Hydr. <input type="radio"/> Pneum. <input type="radio"/> Lubr. <input type="radio"/> DATE APRIL 95	DESIGN P.D. DRAWN P.D. CHECKED G.B. APPROVED	<table border="1" style="width: 100%; height: 40px;"> <tr> <td style="width: 5%;"> </td> <td style="width: 5%;"> </td> <td style="width: 5%;"> </td> <td style="width: 5%;"> </td> <td style="width: 5%;"> </td> <td style="width: 5%;"> </td> <td style="width: 5%;"> </td> <td style="width: 5%;"> </td> <td style="width: 5%;"> </td> <td style="width: 5%;"> </td> <td style="width: 5%;"> </td> <td style="width: 5%;"> </td> </tr> </table> DRAWING No F010-401-AB													CHANGES DATE NAME	<p>NISSAN MOTOR MANUFACTURING (UK) LIMITED No4870</p>	DE-FLASHING PRESS GANTRY LOADER TITLE CABLES CONNECTED	SHEET 38/39 SHEET

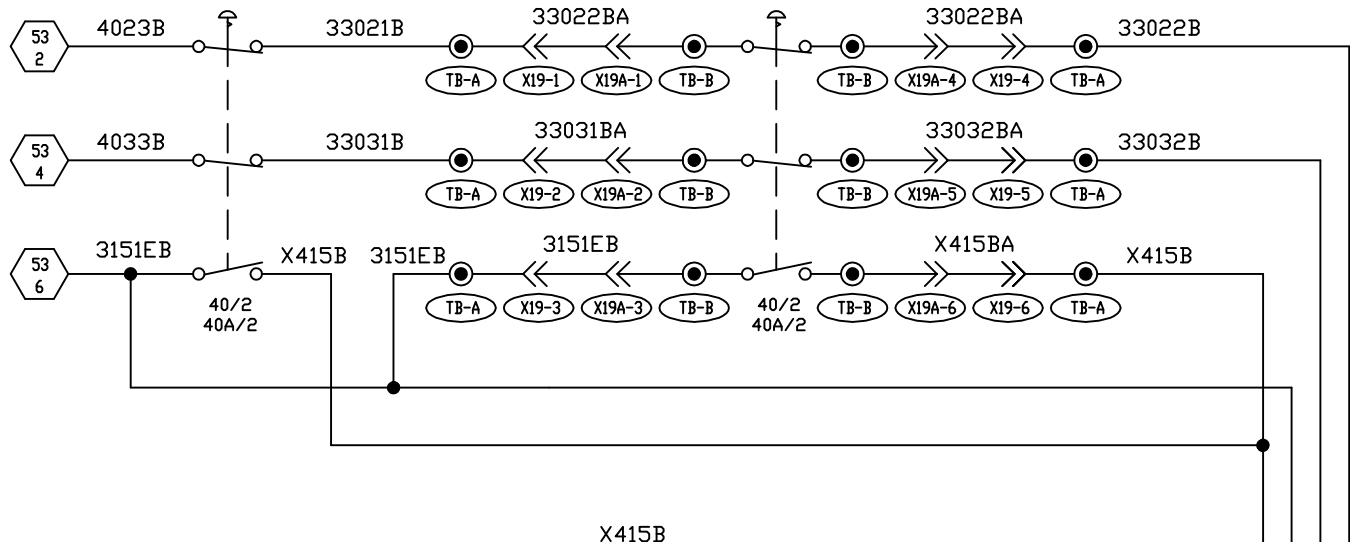
JWF No.F010-4XX-038



REV./DATE	APRIL 95	19/08/96	SCALE	N.T.S	© THIS DRAWING IS THE PROPERTY OF SILVERTECH (NORTHERN) LTD. IT IS SUPPLIED IN CONFIDENCE & MAY NOT BE COPIED OR EXHIBITED WITHOUT WRITTEN PERMISSION.	CLIENT:-	NMUK Ltd.	 SILVERTECH SYSTEMS DESIGNERS • CONTROL ENGINEERS TEL. (01524) 846772	DOCUMENT No. 0043/GANTRY/40A-40B	SHEET 40A/40B
DRAWN	P.D (JWF)	R.MAUN	SIZE	A3		TITLE:-	DE-FLASHING PRESS GANTRY LOADER			
CHECKED	G.B (JWF)		TOLERANCE				WEKD PRESS 1			
APPROVED			ALL DIMENSIONS IN MILLIMETRES UNLESS OTHERWISE STATED			EMER/STOP INTERLOCK				
ECN No.	F010-401-AC	43GAN40A.DWG				DRAWN	CHECKED	APP'D		
						R.M	D.P	P.A.M		
						APPROVED DATE:	19/08/96			

CONTROL CABINET
EMERGENCY STOP
ESX0003

MAIN CONSOLE
EMERGENCY STOP
ESX0004A



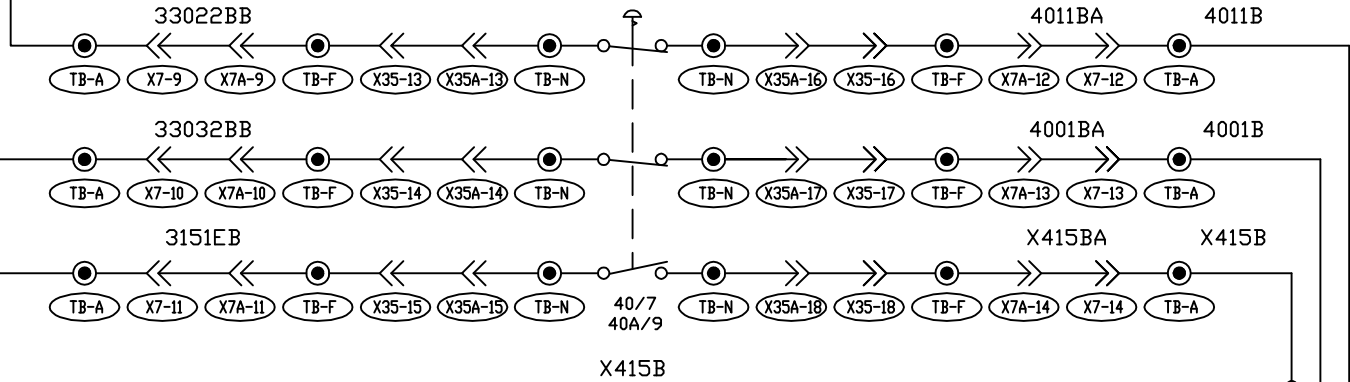
X415B

3151EA

33032B

33022B

OUTPUT CONVEYOR
EMERGENCY STOP
ESX0005A




X415B

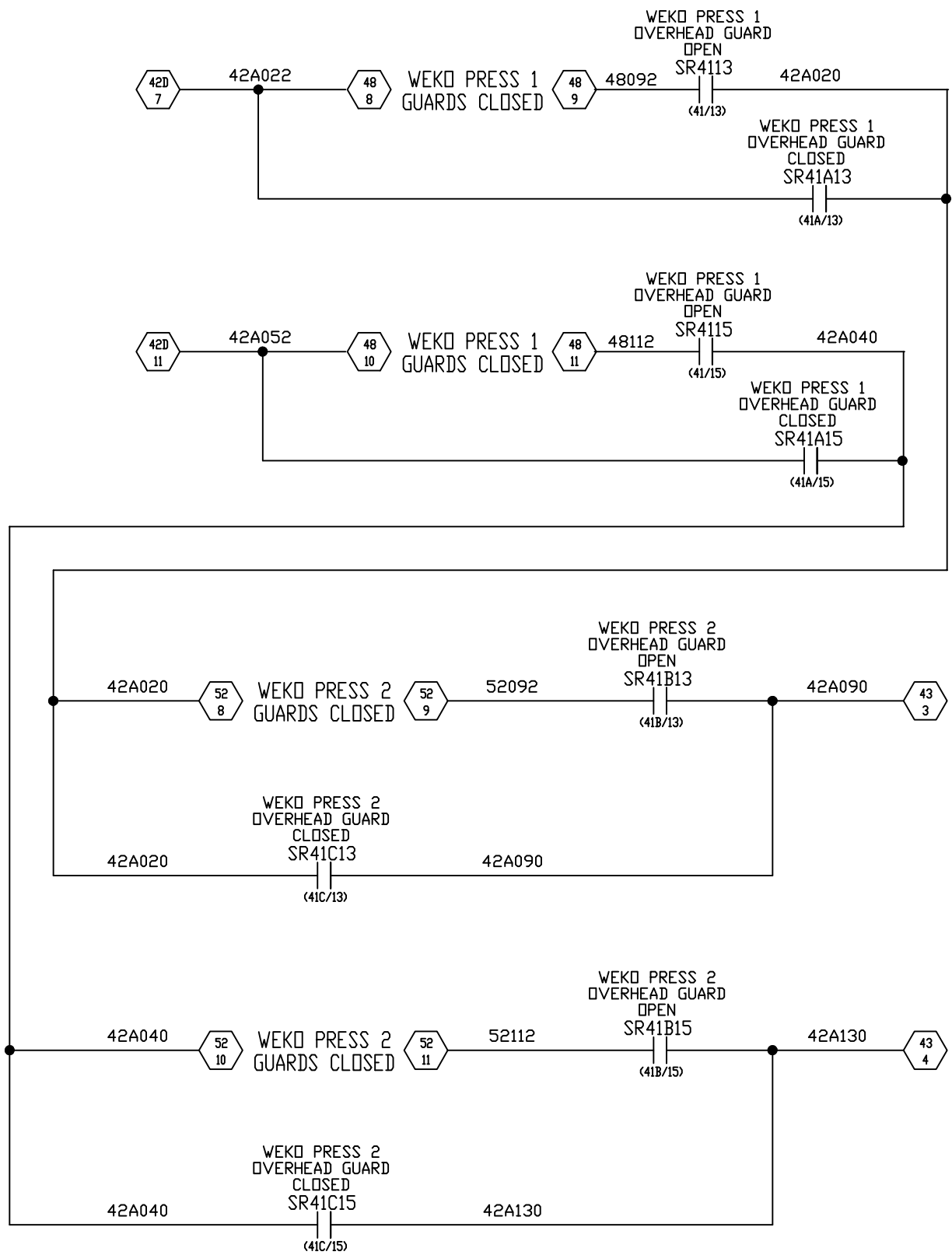
53 7 X415B

53 5 4001B

53 3 4011B

ALL WIRES 1.5mm² YELLOW
UNLESS STATED OTHERWISE

REV./DATE	APRIL 95	19/08/96	SCALE	N.T.S	© THIS DRAWING IS THE PROPERTY OF SILVERTECH (NORTHERN) LTD. IT IS SUPPLIED IN CONFIDENCE & MAY NOT BE COPIED OR EXHIBITED WITHOUT WRITTEN PERMISSION.	CLIENT:- NNUK Ltd.			 SILVERTECH SYSTEMS DESIGNERS • CONTROL ENGINEERS TEL. (01524) 846772	DOCUMENT No. 0043/GANTRY/40B-41	SHEET 40B/41
DRAWN	P.D (JWF)	R.MAUN	SIZE	A3		TITLE:- DE-FLASHING PRESS GANTRY LOADER WEKD PRESS 2 EMER/STOP INTERLOCK					
CHECKED	G.B (JWF)		TOLERANCE			DRAWN	CHECKED	APP'D			
APPROVED			ALL DIMENSIONS IN MILLIMETRES UNLESS OTHERWISE STATED			R.M	D.P	P.A.M			
ECN No.	F010-401-AC	43GAN40B.DWG				APPROVED DATE: 19/08/96					



ALL WIRES 1.5mm² BLUE
UNLESS STATED OTHERWISE

Elect.	<input checked="" type="radio"/>
Hydr.	<input type="radio"/>
Pneum.	<input type="radio"/>
Lubr.	<input type="radio"/>
DATE	APRIL 95

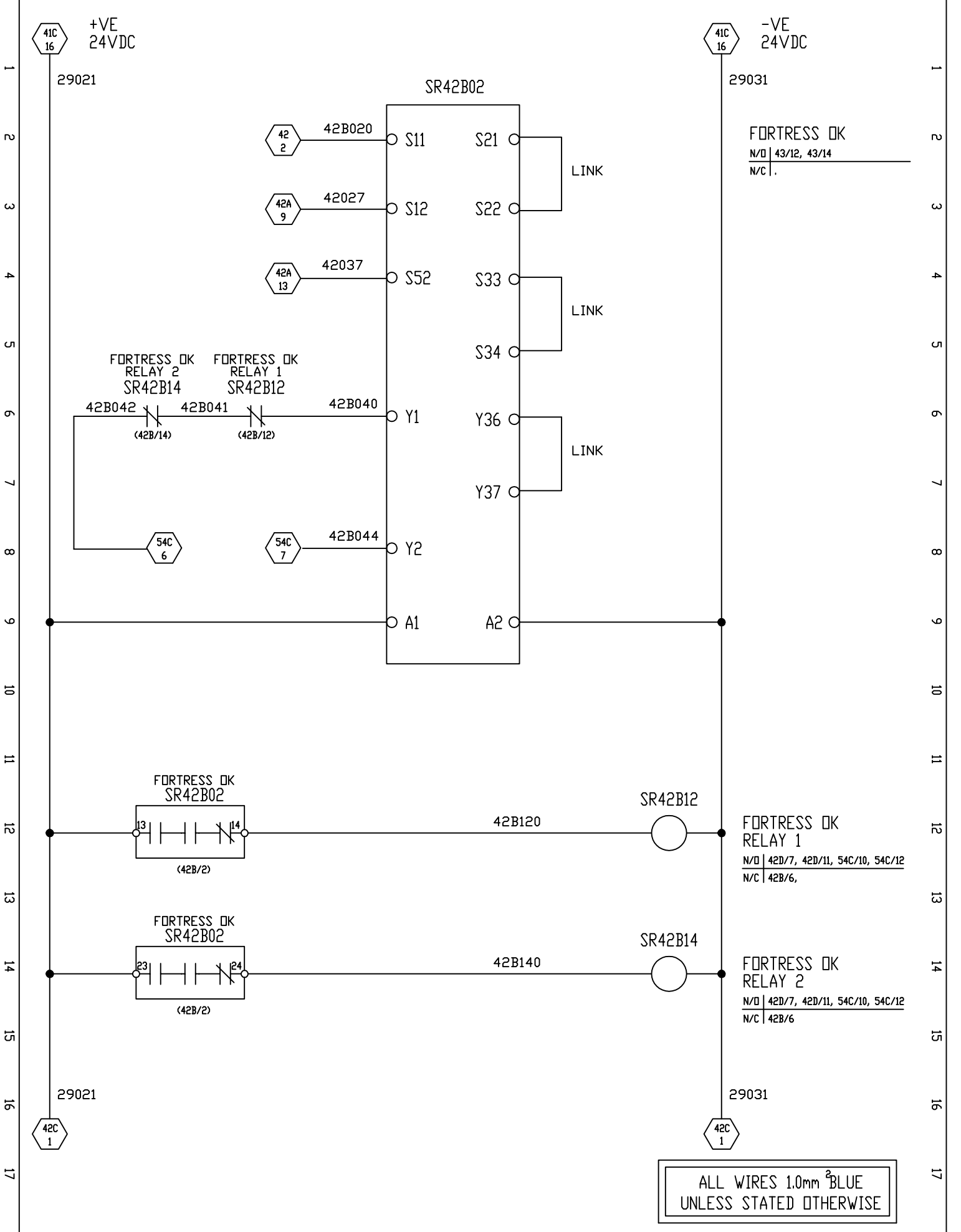
DESIGN	P.D.									DATE	19/7/02
DRAWN	P.D.									NAME	DCS
CHECKED	G.B.	DRAWING NO									
APPROVED		F010-401-AB									

FROEHLICH
FELSO MAT
Automation & Engineering

NISSAN MOTOR MANUFACTURING
(UK) LIMITED No4870

DE-FLASHING PRESS GANTRY LOADER	
TITLE	SHEET
GUARD SCHEMATICS	42A/42B

JWF No.F010-4XX-042A



FORTRESS OK
 N/D | 43/12, 43/14
 N/C | .

FORTRESS OK RELAY 2 SR42B14
 FORTRESS OK RELAY 1 SR42B12

FORTRESS OK RELAY 1
 N/D | 42D/7, 42D/11, 54C/10, 54C/12
 N/C | 42B/6,

FORTRESS OK RELAY 2
 N/D | 42D/7, 42D/11, 54C/10, 54C/12
 N/C | 42B/6

ALL WIRES 1.0mm² BLUE UNLESS STATED OTHERWISE

Elect.	●
Hydr.	○
Pneum.	○
Lubr.	○
DATE	19/7/02

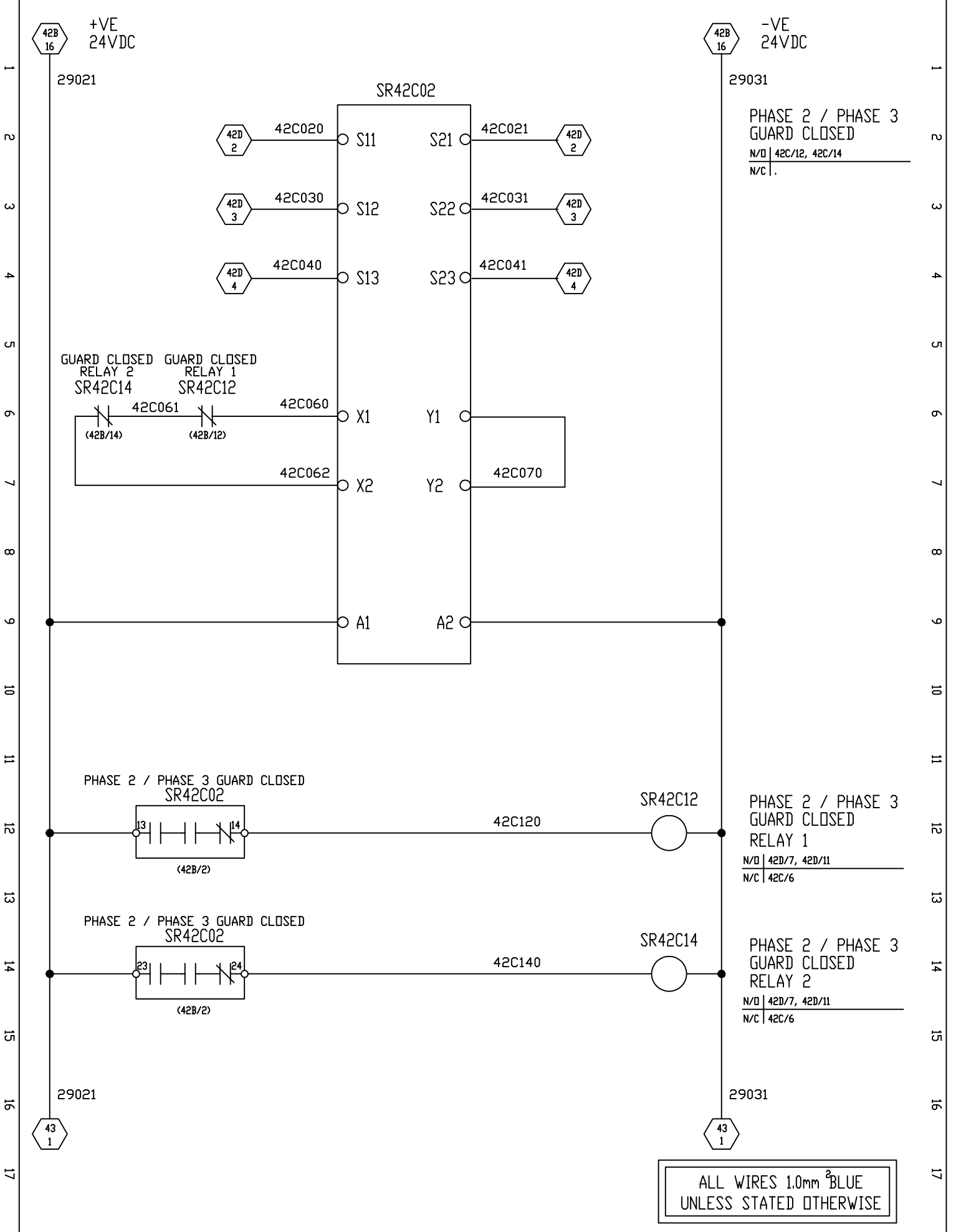
DESIGN	DCS
DRAWN	
CHECKED	DCS
APPROVED	DCS
DRAWING NO	F010-401-AA

FROEHLICH
FELSO MAT
 Automation & Engineering

NISSAN MOTOR MANUFACTURING (UK) LIMITED No4870

DE-FLASHING PRESS GANTRY LOADER	
TITLE	GUARD SCHEMATICS
SHEET	42B/42C
SHEET	.

JWF No.F010-4XX-043



Elect.	●
Hydr.	○
Pneum.	○
Lubr.	○
DATE	19/7/02

DESIGN	DCS
DRAWN	DCS
CHECKED	DCS
APPROVED	DCS
DRAWING NO	F010-401-AA

FROEHLICH
FELSOMAT
Automation & Engineering

NISSAN MOTOR MANUFACTURING (UK) LIMITED No4870

DE-FLASHING PRESS GANTRY LOADER	
TITLE	GUARD SCHEMATICS
SHEET	42C/42D
SHEET	.

JWF No.F010-4XX-043

42D
16

+VE
24VDC

42D
16

-VE
24VDC

29021

29031

42D
7

42020

T11

SR4302

42A
9

42A090

T12

42A
13

42A130

T22

GUARDS OK
RELAY 2
SR4314

GUARDS OK
RELAY 1
SR4312

43042



43041



43040

T33

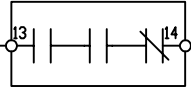
43042

T34

A1

A2

ALL GUARDS OK
SR4302



(43/2)

43120

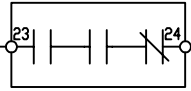
SR4312



ALL GUARDS OK
RELAY 1

N/D | 31/2, 44/3,
N/C | 32/2, 43/6,

ALL GUARDS OK
SR4302



(43/2)

43140

SR4314



ALL GUARDS OK
RELAY 2

N/D | 31/2, 43/3,
N/C | 32/3, 43/6,

29021

29031

44
1

44
1

ALL WIRES 1.0mm² BLUE
UNLESS STATED OTHERWISE

ALL GUARDS OK
N/D | 43/12, 43/14, 70/3,
N/C | .

Elect.	●
Hydr.	○
Pneum.	○
Lubr.	○
DATE	APRIL 95

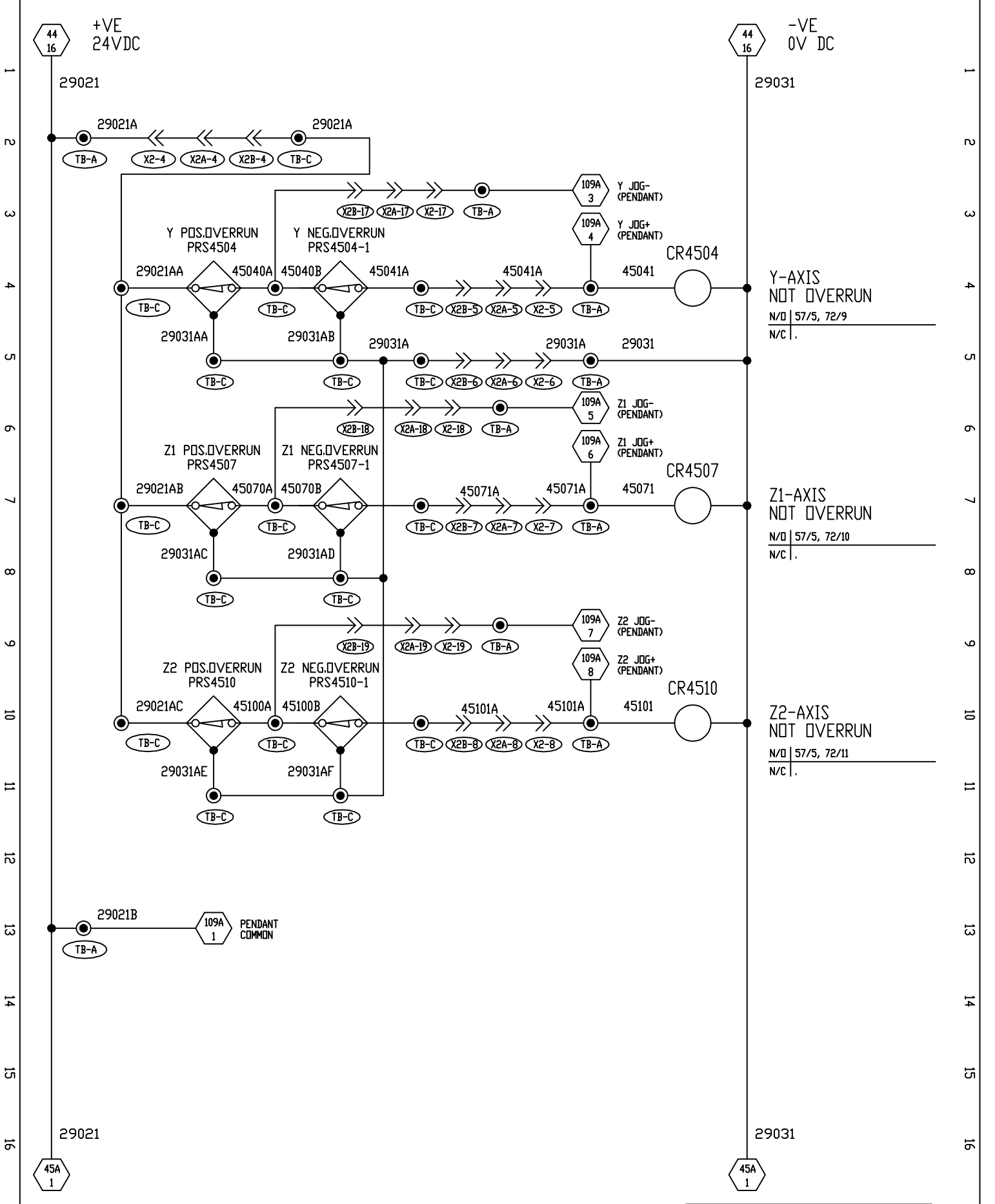
DESIGN	P.D.									DATE	19/7/02
DRAWN	P.D.									NAME	DJS
CHECKED	G.B.									CHANGES	
APPROVED											
DRAWING NO		F010-401-AA									

FROEHLICH
FELSO MAT
Automation & Engineering

NISSAN MOTOR MANUFACTURING
(UK) LIMITED No4870

DE-FLASHING PRESS GANTRY LOADER	
TITLE	SHEET
GUARD SCHEMATICS	43/44
	SHEET

JWF No.F010-4XX-043



Y-AXIS
NOT OVERRUN
N/D | 57/5, 72/9
N/C | .

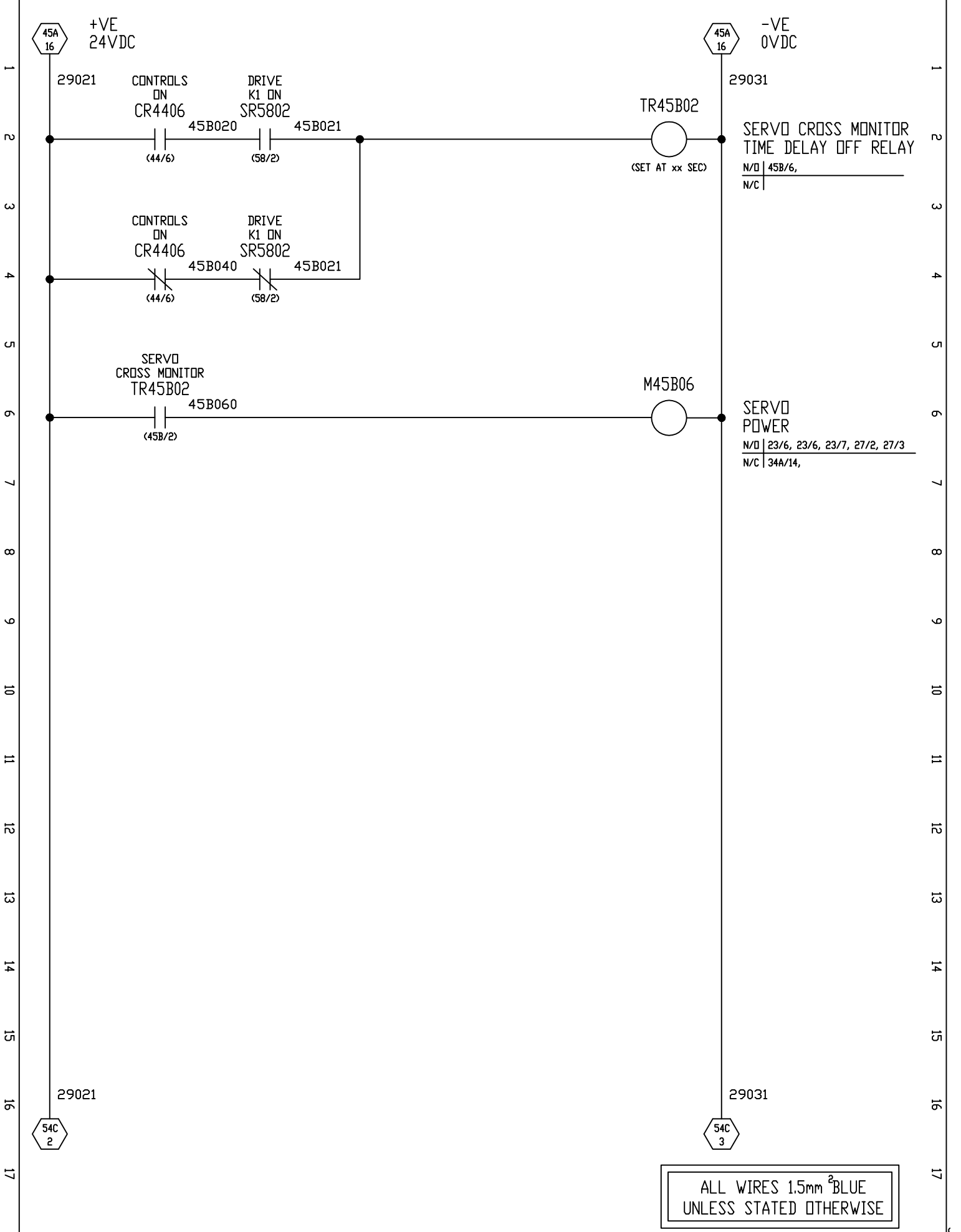
Z1-AXIS
NOT OVERRUN
N/D | 57/5, 72/10
N/C | .

Z2-AXIS
NOT OVERRUN
N/D | 57/5, 72/11
N/C | .

ALL WIRES 1.0mm² BLUE
UNLESS STATED OTHERWISE

Elect. ● Hydr. ○ Pneum. ○ Lubr. ○ DATE APRIL 95	DESIGN/Projectadd	P.D.	DATE NAME CHANGES		Drawing No./Plane No	FLASHING PRESS GANTRY LOADER		
	DRAWN	P.D.			TITLE	SHEET	45/45A	
	CHECKED	G.B.			OVERRUN CIRCUITS SCHEMATICS		SHEET	
	APPROVED				NISSAN MOTOR MANUFACTURING (UK) LIMITED No4870			
DRAWING No		F010-401-AD						

JWF No.F010-4XX-045



1
2
3
4
5
6
7
8
9
10
11
12
13
14
15
16
17

1
2
3
4
5
6
7
8
9
10
11
12
13
14
15
16
17

ALL WIRES 1.5mm² BLUE
UNLESS STATED OTHERWISE

Elect.	●
Hydr.	○
Pneum.	○
Lubr.	○
DATE	APRIL 95

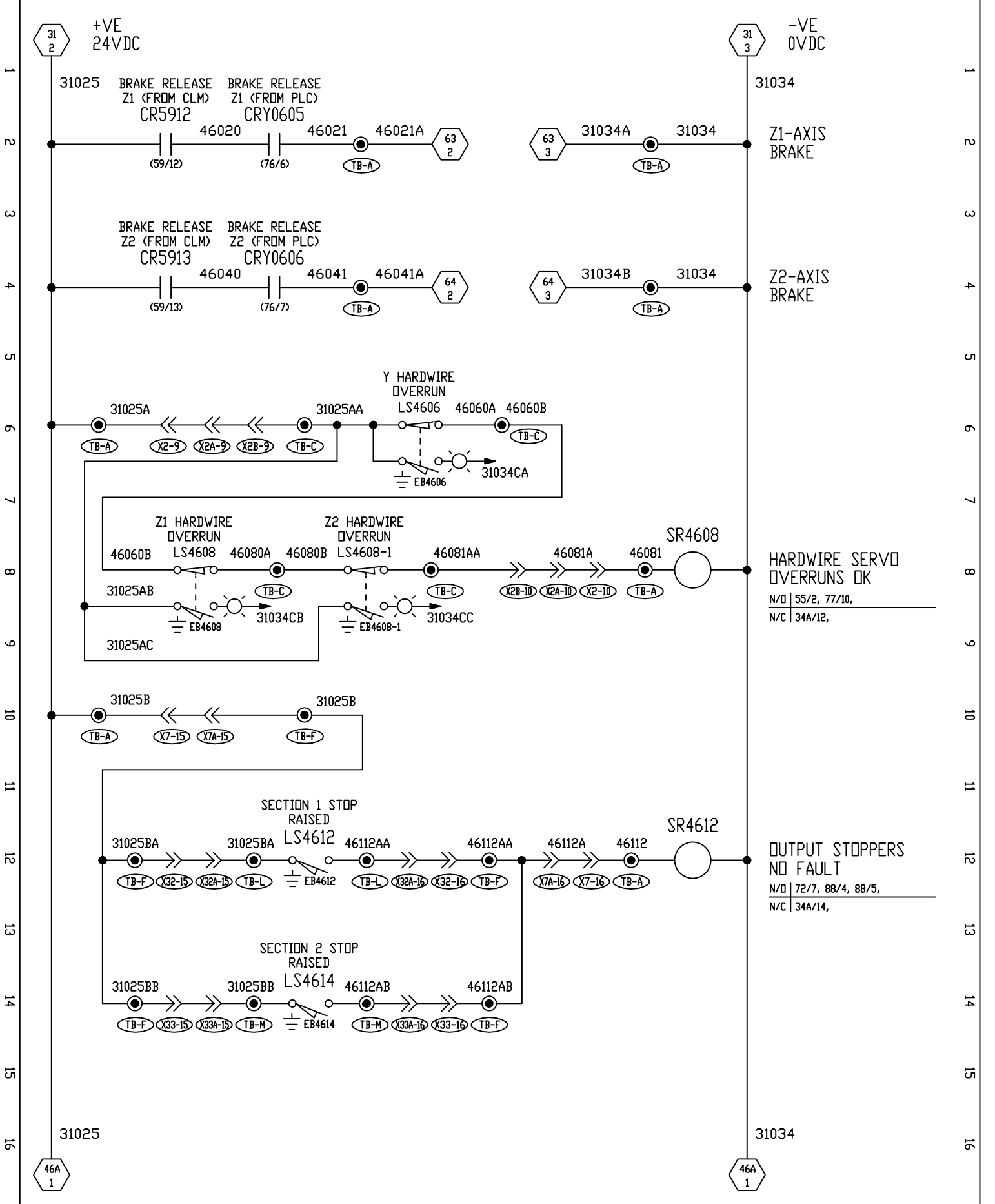
DESIGN	P.D.								19/7/02	DATE	
DRAWN	P.D.								DCS	NAME	
CHECKED	G.B.	DRAWING NO								F010-401-AC	
APPROVED											

FROEHLICH
FELSO MAT
Automation & Engineering

NISSAN MOTOR MANUFACTURING
(UK) LIMITED

DE-FLASHING PRESS GANTRY LOADER	
TITLE	SHEET
GANTRY SERVO POWER	45B/46
	SHEET

JWF No F010-4XX-045B



**HARDWIRE SERVO
OVERRUNS OK**
 N/D | 55/2, 77/10,
 N/C | 34A/12,

**OUTPUT STOPPERS
NO FAULT**
 N/D | 72/7, 88/4, 88/5,
 N/C | 34A/14,

ALL WIRES 1.5mm² BLUE
UNLESS STATED OTHERWISE

Elect.	●
Hydr.	○
Pneum.	○
Lubr.	○
DATE	APRIL 95

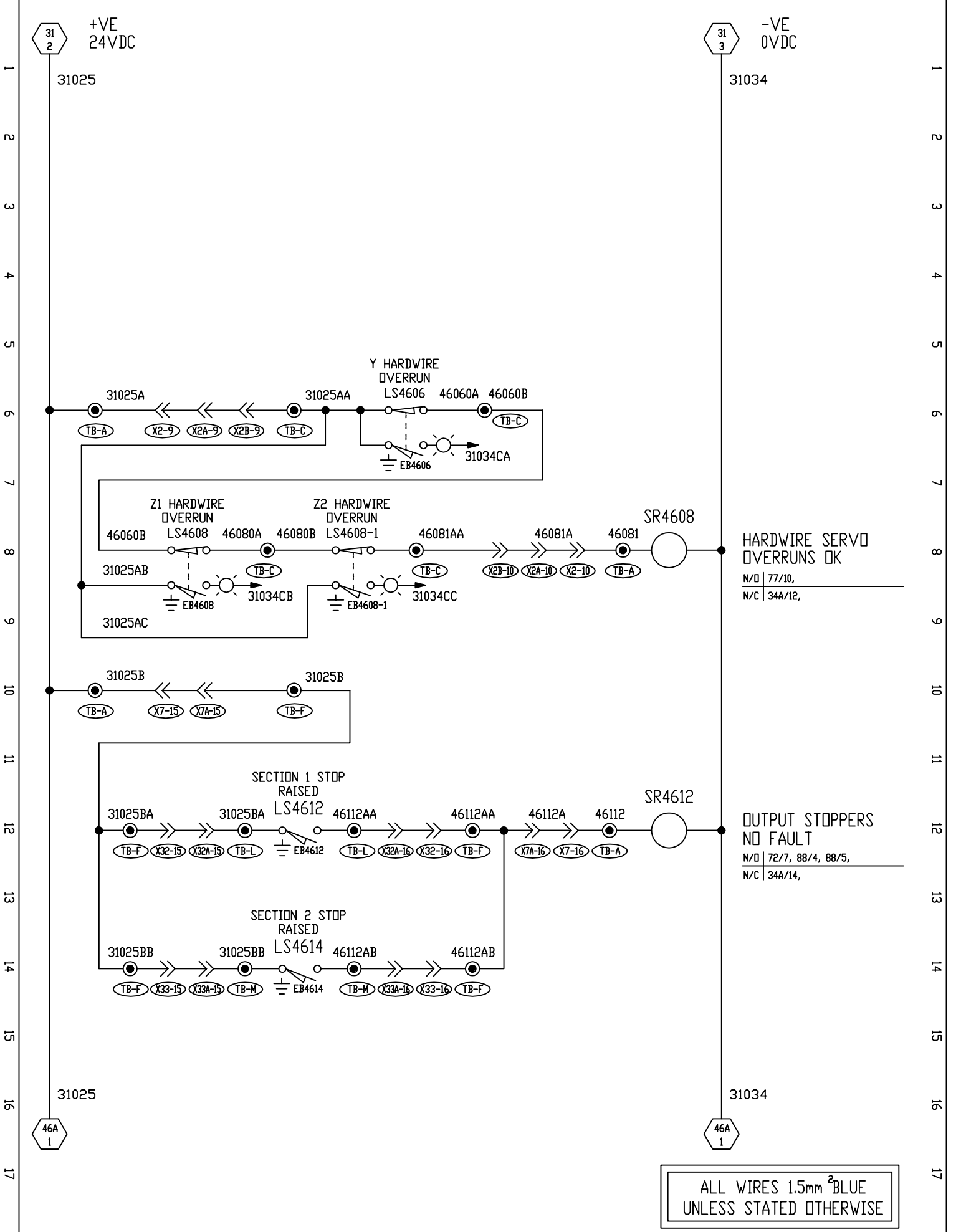
DESIGN	P.D.	DRAWING NO F010-401-AC
DRAWN		
CHECKED	G.B.	
APPROVED		

FROEHLICH
FELSOMAT
 Automation & Engineering

NISSAN MOTOR MANUFACTURING
 (UK) LIMITED

DE-FLASHING PRESS GANTRY LOADER	
TITLE	SHEET
HARDWIRE AXIS CONTROL SCHEMATICS	46/46A
	SHEET

JWF No.F010-4XX-046



HARDWARE SERVO OVERRUNS OK
 N/D | 77/10,
 N/C | 34A/12,

OUTPUT STOPPERS NO FAULT
 N/D | 72/7, 88/4, 88/5,
 N/C | 34A/14,

ALL WIRES 1.5mm² BLUE UNLESS STATED OTHERWISE

Elect.	<input checked="" type="radio"/>
Hydr.	<input type="radio"/>
Pneum.	<input type="radio"/>
Lubr.	<input type="radio"/>
DATE	APRIL 95

DESIGN	P.D.
DRAWN	P.D.
CHECKED	G.B.
APPROVED	
DRAWING NO	F010-401-AC

CHANGES

DATE	NAME
JUL 06	RNB
JUL 12	JAV

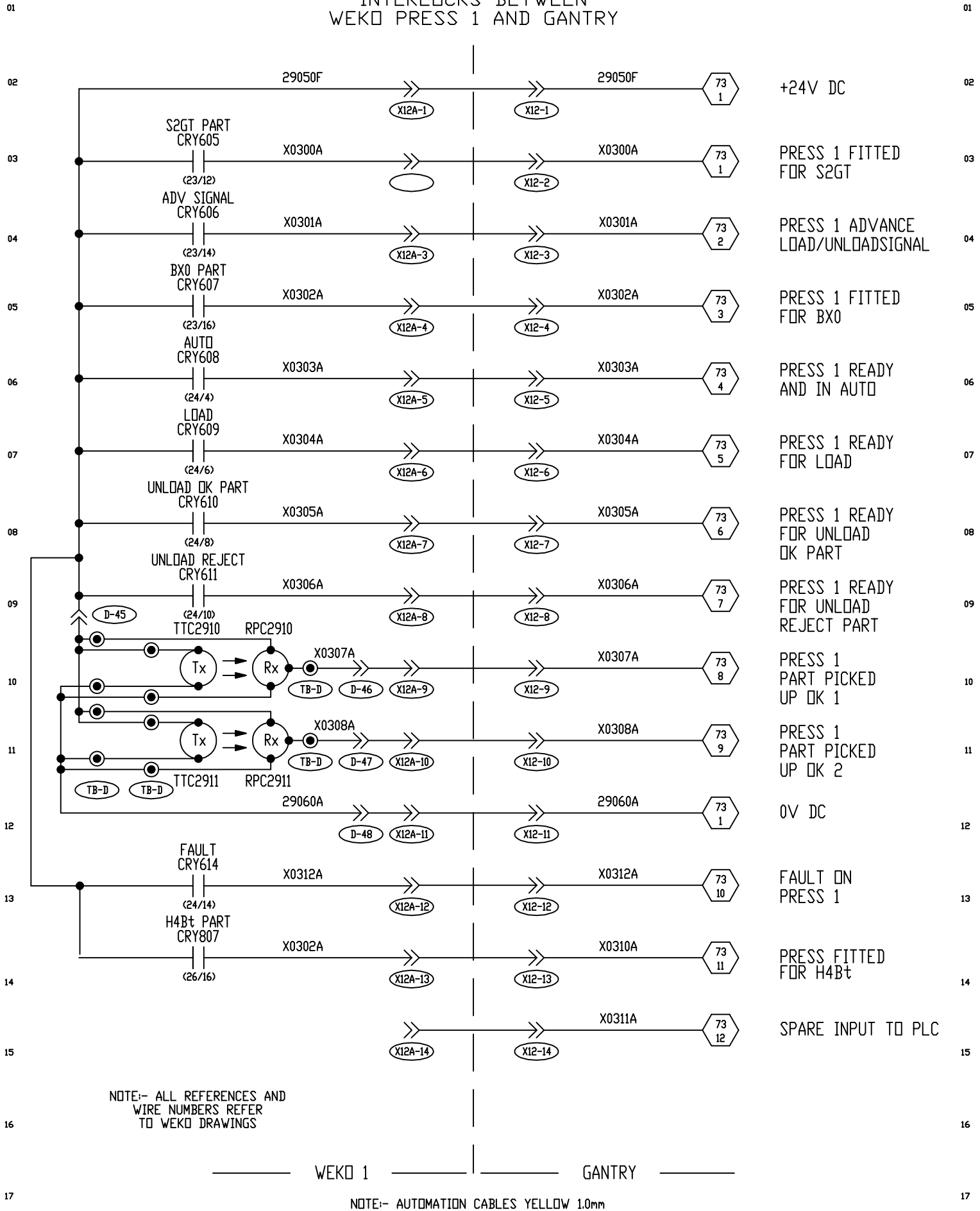
FROEHLICH
FELSO MAT
 Automation & Engineering

NISSAN MOTOR MANUFACTURING (UK) LIMITED

DE-FLASHING PRESS GANTRY LOADER	
TITLE	SHEET
HARDWARE AXIS CONTROL SCHEMATICS	46/46A
	SHEET

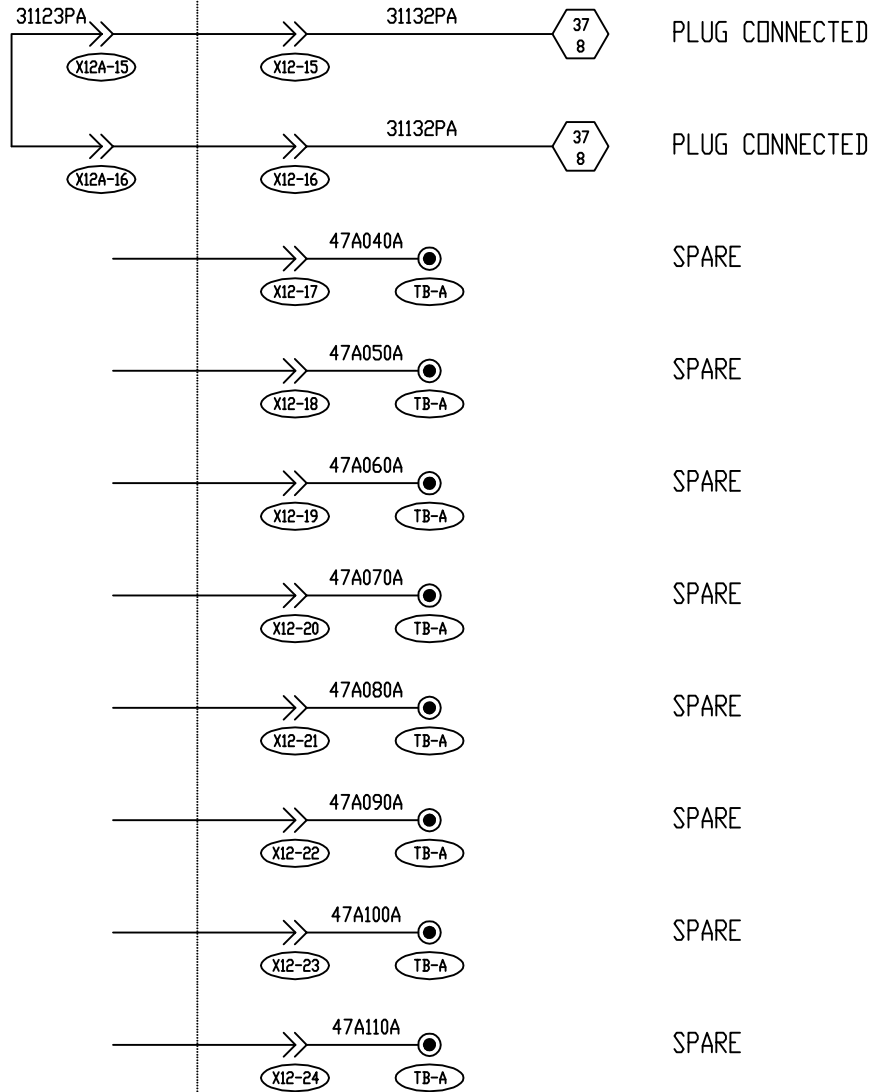
JWF No.F010-4XX-046

INTERLOCKS BETWEEN WEKO PRESS 1 AND GANTRY



REV./DATE	APRIL 95	19/08/96	JAN 2008	SCALE N.T.S	© THIS DRAWING IS THE PROPERTY OF SILVERTECH (NORTHERN) LTD. IT IS SUPPLIED IN CONFIDENCE & MAY NOT BE COPIED OR EXHIBITED WITHOUT WRITTEN PERMISSION.	CLIENT:- NNUK Ltd.	TEL. (01524) 846772		
DRAWN	P.D (JWF)	R.MAUN	CONTRON	SIZE A3		TITLE:- DE-FLASHING PRESS GANTRY LOADER PRESS 1 TO GANTRY INTERFACE SIGNALS			
CHECKED	G.B (JWF)			TOLERANCE		DRAWN R.M		CHECKED D.P	APP'D P.A.M
APPROVED				ALL DIMENSIONS IN MILLIMETRES UNLESS OTHERWISE STATED		APPROVED DATE: 19/08/96			
ECN No.	F010-401-AA	043GAN47.DWG	P0235			DOCUMENT No. 0043/GANTRY/47-47A	SHEET 47/47A		

INTERLOCKS BETWEEN WEKO PRESS 1 AND GANTRY



WEKO 1

GANTRY

NOTE:- AUTOMATION CABLES YELLOW 1.0mm

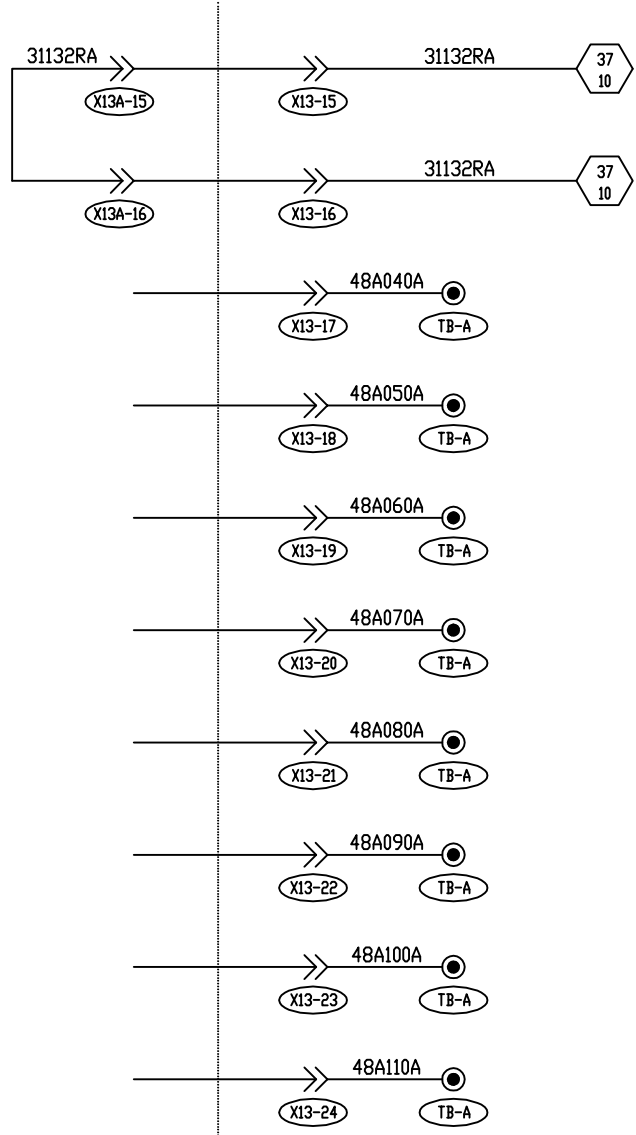
Elect.	●	DESIGN	P.D.						DE-FLASHING PRESS GANTRY LOADER		
Hydr.	○	DRAWN	P.D.	DATE	CHANGES	NAME	TITLE		SHEET	PRESS 1 TO GANTRY INTERFACE SIGNALS	
Pneum.	○	CHECKED	G.B.	DRAWING NO	NISSAN MOTOR MANUFACTURING (UK) LIMITED No4870		SHEET		47A/48		
Lubr.	○	APPROVED		F010-401-AC			SHEET				.
DATE	APRIL 95										

JWF No.F010-4XX-047A

INTERLOCKS BETWEEN WEKO PRESS 1 AND GANTRY

1
2
3
4
5
6
7
8
9
10
11
12
13
14
15
16
17

1
2
3
4
5
6
7
8
9
10
11
12
13
14
15
16
17



PLUGS CONNECTED
PLUGS CONNECTED
SPARE
SPARE
SPARE
SPARE
SPARE
SPARE
SPARE
SPARE

———— WEKO 1 ———— | ———— GANTRY ————

NOTE:- AUTOMATION CABLES YELLOW 1.0mm

Elect.	●	DESIGN P.D.						 NISSAN MOTOR MANUFACTURING (UK) LIMITED No4870	DE-FLASHING PRESS GANTRY LOADER	SHEET 48A/49
Hydr.	○	DRAWN P.D.							PRESS 1 TO GANTRY INTERFACE SIGNALS	SHEET
Pneum.	○	CHECKED G.B.								SHEET
Lubr.	○	APPROVED	DRAWING NO F010-401-AC							
DATE APRIL 95										

JWF No.F010-4XX-048A

+24VDC 9 7 9 1 0VDC

INTERLOCKS BETWEEN WEKO PRESS 1 AND GANTRY

3082
GANTRY EMERGENCY STOP SIGNALS

INITIATE PRESS AIR BLAST

GANTRY IN AUTO AND SERVING

PART LOADED AND GANTRY CLEAR

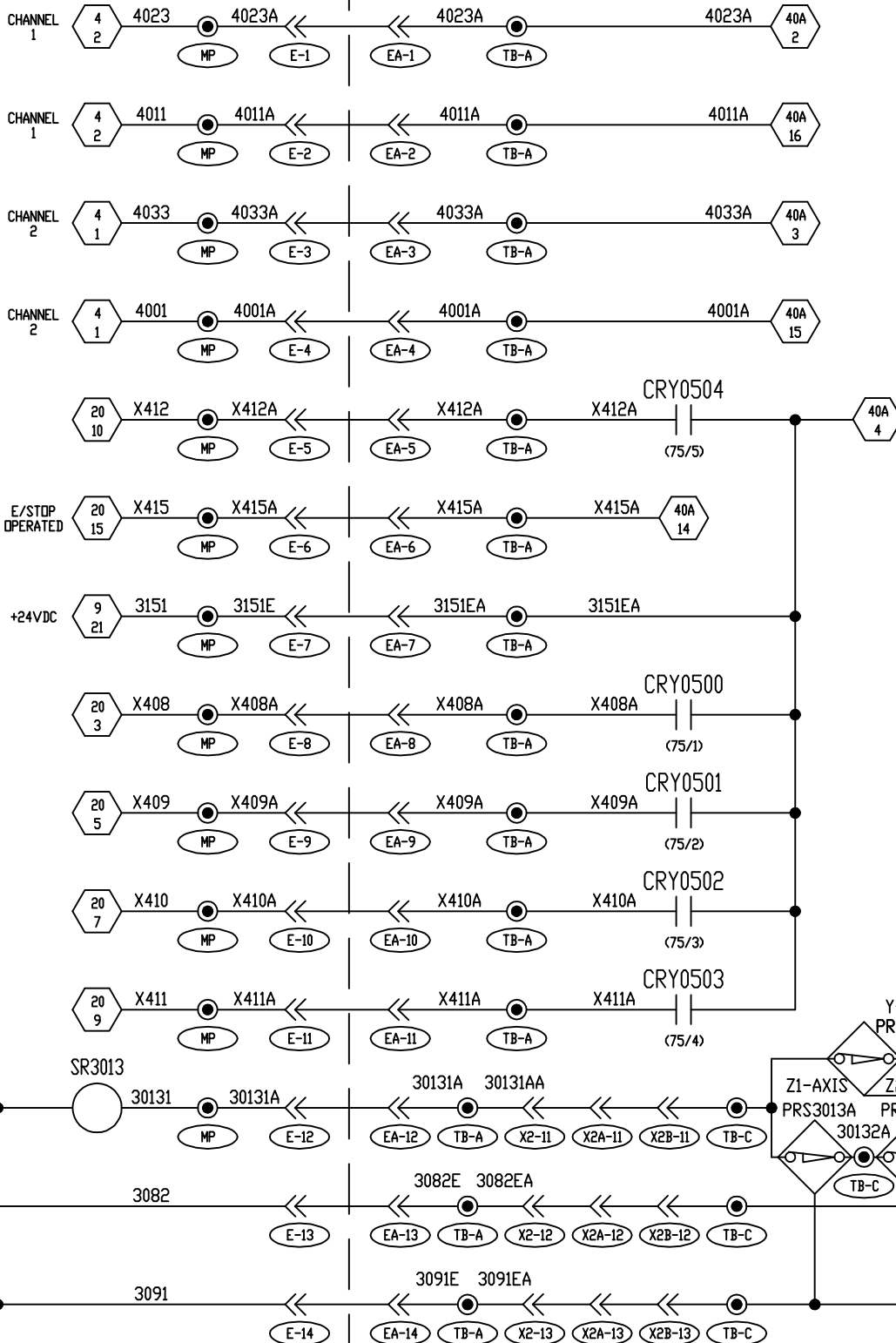
PART UNLOADED AND GANTRY CLEAR

OK TO OPEN/CLOSE OVERHEAD GUARD

OK TO MOVE PRESS 1 TABLE

+24V DC FOR CONTROL

0V DC FOR CONTROL



NOTE:- ALL REFERENCES AND WIRE NUMBERS REFER TO WEKO DRAWINGS

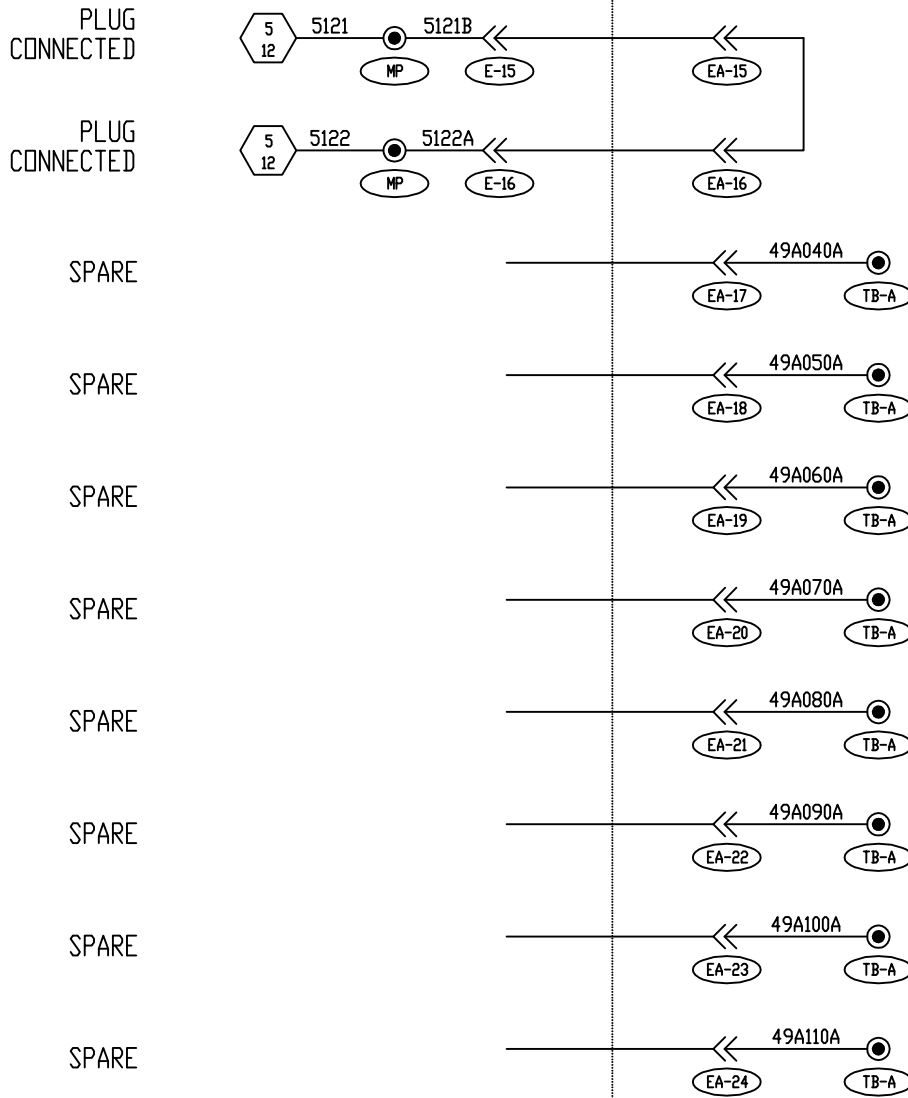
WEKO 1

GANTRY

NOTE:- AUTOMATION CABLES YELLOW 1.0mm

REV./DATE	APRIL 95	19/08/96	SCALE	N.T.S	CLIENT:- NNUK Ltd. TITLE:- DE-FLASHING PRESS GANTRY LOADER GANTRY TO PRESS 1 INTERFACE SIGNALS DRAWN R.M CHECKED D.P APP'D P.A.M APPROVED DATE: 19/08/96	SILVERTECH SYSTEMS DESIGNERS • CONTROL ENGINEERS TEL. (01524) 846772	DOCUMENT No. 0043/GANTRY/49-49A	SHEET 49/49A
DRAWN	P.D (JWF)	R.MAUN	SIZE	A3				
CHECKED	G.B (JWF)		TOLERANCE					
APPROVED			ALL DIMENSIONS IN MILLIMETRES UNLESS OTHERWISE STATED					
ECN No.	F010-401-AB	-43GAN49.DWG						

INTERLOCKS BETWEEN WEKO PRESS 1 AND GANTRY



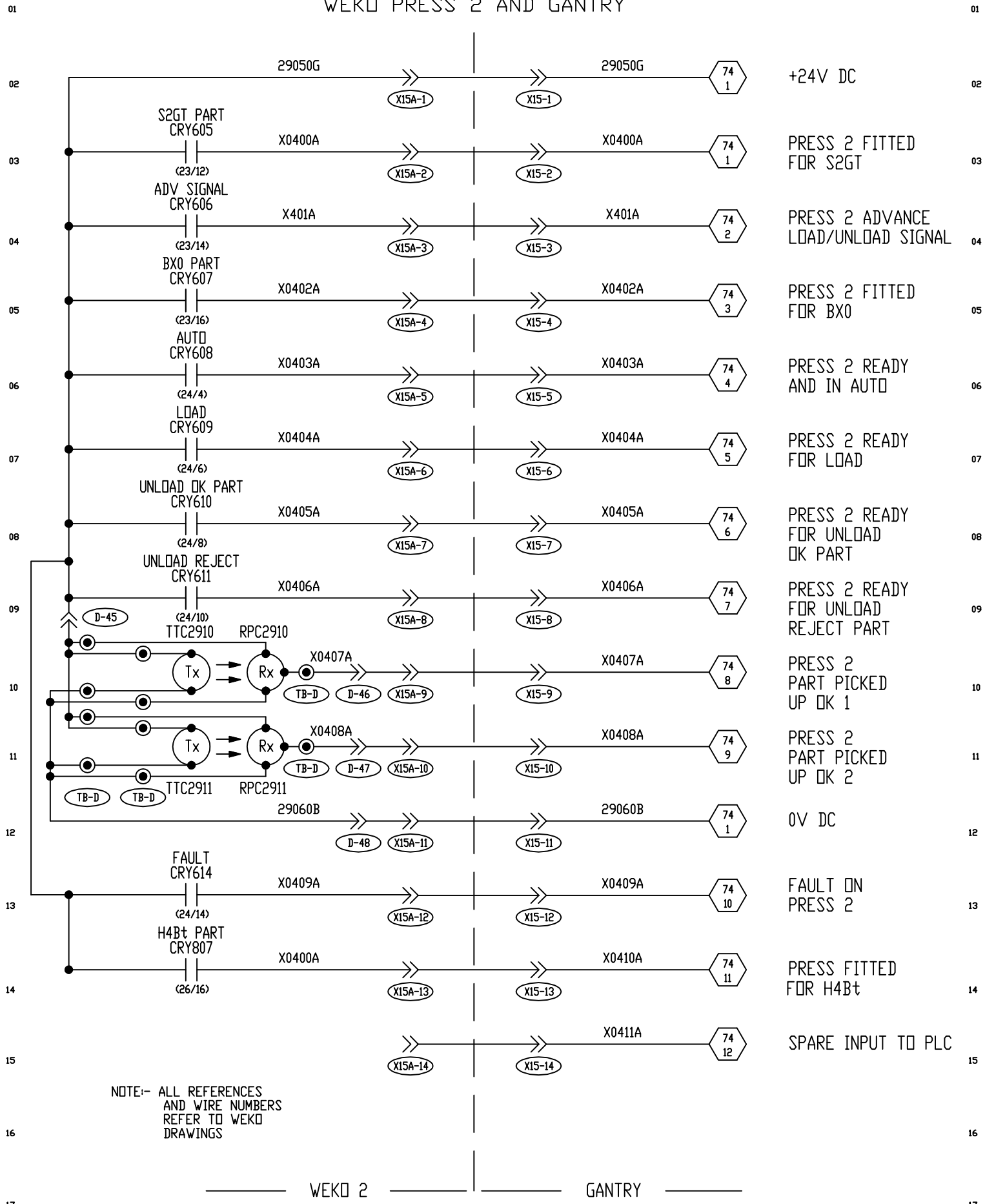
_____ WEKO 1 _____ GANTRY _____

NOTE:- AUTOMATION CABLES YELLOW 1.0mm

Elect.	●	DESIGN P.D.						DE-FLASHING PRESS GANTRY LOADER	
Hydr.	○	DRAWN P.D.						TITLE	
Pneum.	○	CHECKED G.B.						SHEET 49A/50	
Lubr.	○	APPROVED	DRAWING NO F010-401-AA					SHEET	
DATE APRIL 95		NISSAN MOTOR MANUFACTURING (UK) LIMITED No4870				GANTRY TO PRESS 1 INTERFACE SIGNALS			

JWF No.F010-4XX-049A

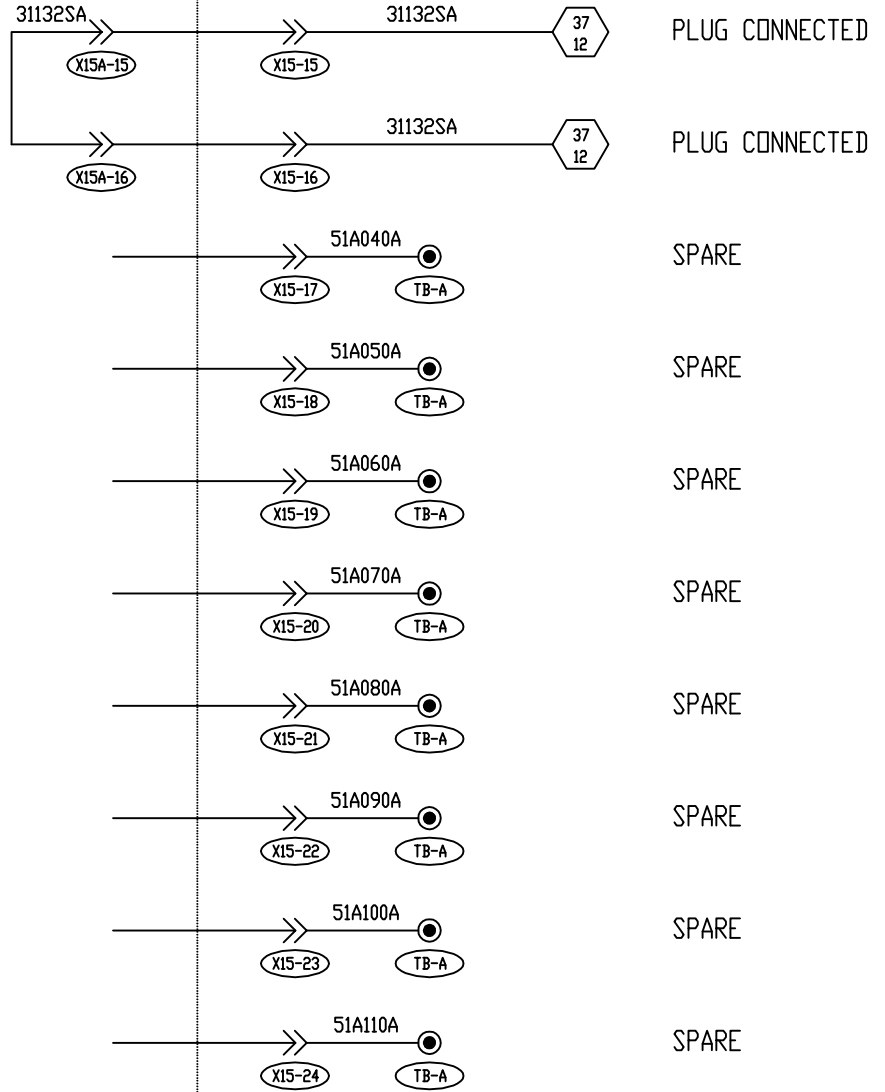
INTERLOCKS BETWEEN WEKO PRESS 2 AND GANTRY



NOTE:- AUTOMATION CABLES YELLOW 1.0mm

REV./DATE	APRIL 95	19/08/96	JAN 2008	SCALE N.T.S	© THIS DRAWING IS THE PROPERTY OF SILVERTECH (NORTHERN) LTD. IT IS SUPPLIED IN CONFIDENCE & MAY NOT BE COPIED OR EXHIBITED WITHOUT WRITTEN PERMISSION.	CLIENT:- NNUK Ltd.	SILVERTECH SYSTEMS DESIGNERS • CONTROL ENGINEERS TEL. (01524) 846772	
DRAWN	P.D (JWF)	R.MAUN	CONTRON	SIZE A3		TITLE:- DE-FLASHING PRESS GANTRY LOADER		
CHECKED	G.B (JWF)			TOLERANCE		PRESS 2 TO GANTRY INTERFACE SIGNALS		
APPROVED				ALL DIMENSIONS IN MILLIMETRES UNLESS OTHERWISE STATED		DRAWN: R.M CHECKED: D.P APP'D: P.A.M		
ECN No.	F010-401-AA	043GANS1.DWG	P0235			APPROVED DATE: 19/08/96	DOCUMENT No. 0042/GANTRY/51-51A	SHEET 51/51A

INTERLOCKS BETWEEN WEKO PRESS 2 AND GANTRY



WEKO 2

GANTRY

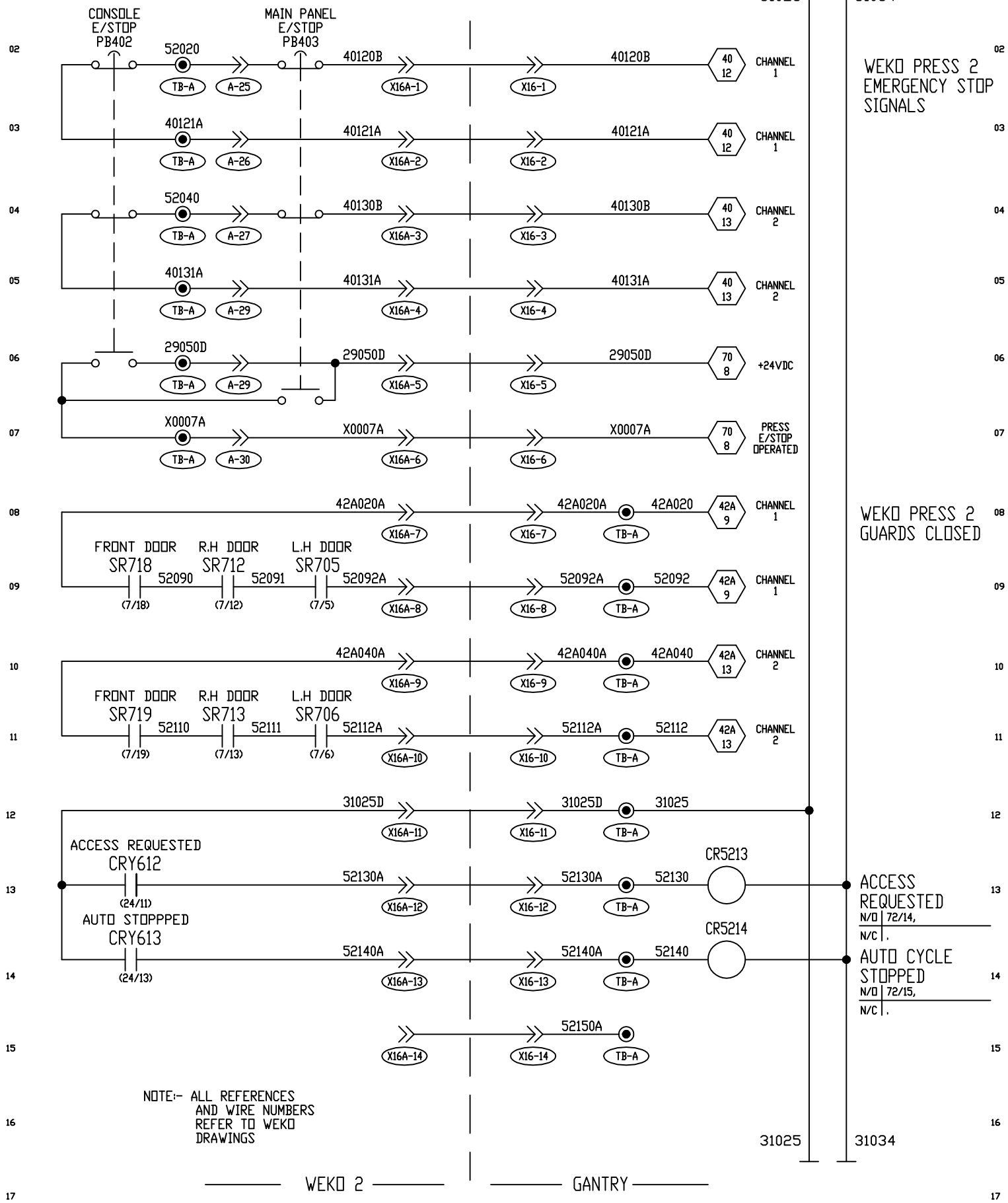
NOTE:- AUTOMATION CABLES YELLOW 1.0mm

Elect.	●	DESIGN	P.D.					CHANGES <table border="1" style="width: 100%; border-collapse: collapse;"> <tr> <th style="width: 5%;">DATE</th> <th style="width: 5%;">NAME</th> </tr> <tr> <td> </td> <td> </td> </tr> <tr> <td> </td> <td> </td> </tr> <tr> <td> </td> <td> </td> </tr> </table>	DATE	NAME							 NISSAN MOTOR MANUFACTURING (UK) LIMITED No4870	DE-FLASHING PRESS GANTRY LOADER	SHEET	51A/52
DATE	NAME																			
Hydr.	○	DRAWN	P.D.					TITLE		SHEET										
Pneum.	○	CHECKED	G.B.					PRESS 2 TO GANTRY INTERFACE SIGNALS												
Lubr.	○	APPROVED																		
DATE	APRIL 95	DRAWING NO	F010-401-AC																	

JWF No.F010-4XX-051A

INTERLOCKS BETWEEN WEKO PRESS 2 AND GANTRY

+VE 48
17 -VE



NOTE:- ALL REFERENCES
AND WIRE NUMBERS
REFER TO WEKO
DRAWINGS

WEKO 2 GANTRY

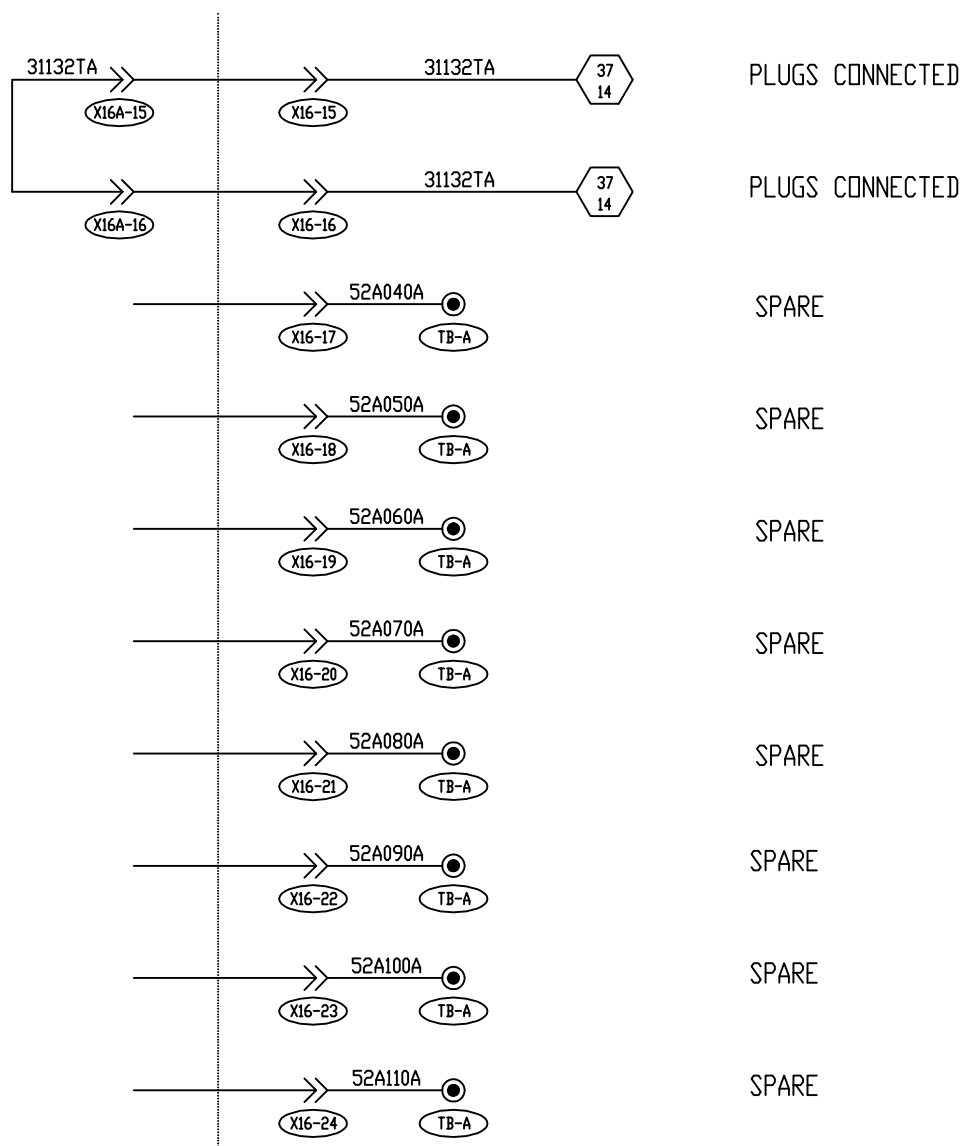
NOTE:- AUTOMATION CABLES YELLOW 1.0mm

REV./DATE	APRIL 95	19/08/96	SCALE	N.T.S	© THIS DRAWING IS THE PROPERTY OF SILVERTECH (NORTHERN) LTD. IT IS SUPPLIED IN CONFIDENCE & MAY NOT BE COPIED OR EXHIBITED WITHOUT WRITTEN PERMISSION.	CLIENT:- NNUK Ltd.	SILVERTECH SYSTEMS DESIGNERS • CONTROL ENGINEERS TEL. (01524) 846772	
DRAWN	P.D (JWF)	R.MAUN	SIZE	A3		TITLE:- DE-FLASHING PRESS GANTRY LOADER		
CHECKED	G.B (JWF)		TOLERANCE			PRESS 2 TO GANTRY INTERFACE SIGNALS		
APPROVED			ALL DIMENSIONS IN MILLIMETRES UNLESS OTHERWISE STATED			DRAWN: R.M CHECKED: D.P APP'D: P.A.M		
ECN No.	F010-401-AB	043GAN52.DWG				APPROVED DATE: 19/08/96	DOCUMENT No. 0043/GANTRY/52-52A	SHEET 52/52A

INTERLOCKS BETWEEN WEKO PRESS 2 AND GANTRY

1
2
3
4
5
6
7
8
9
10
11
12
13
14
15
16
17

1
2
3
4
5
6
7
8
9
10
11
12
13
14
15
16
17



———— WEKO 2 ———— | ———— GANTRY ————

NOTE:- AUTOMATION CABLES YELLOW 1.0mm

Elect.	●	DESIGN P.D.					CHANGES <table border="1" style="width: 100%; border-collapse: collapse;"> <tr><td style="width: 20%;">DATE</td><td style="width: 20%;">NAME</td></tr> <tr><td> </td><td> </td></tr> <tr><td> </td><td> </td></tr> <tr><td> </td><td> </td></tr> </table>	DATE	NAME							 NISSAN MOTOR MANUFACTURING (UK) LIMITED No4870	DE-FLASHING PRESS GANTRY LOADER	
DATE	NAME																	
Hydr.	○	DRAWN P.D.					TITLE	SHEET 52A/53										
Pneum.	○	CHECKED G.B.					PRESS 2 TO GANTRY INTERFACE SIGNALS	SHEET										
Lubr.	○	APPROVED	DRAWING NO F010-401-AC															
DATE APRIL 95																		

JV/F No.F010-4XX-052A

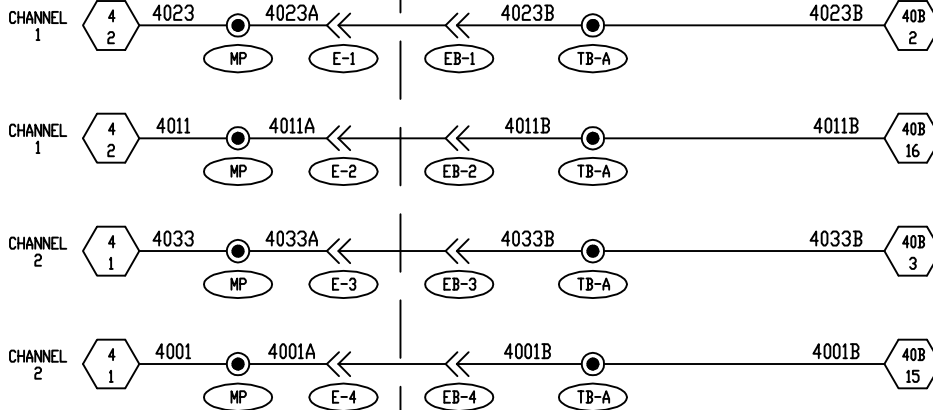
+24VDC 9 7 9 1 0VDC

INTERLOCKS BETWEEN WEKO PRESS 2 AND GANTRY

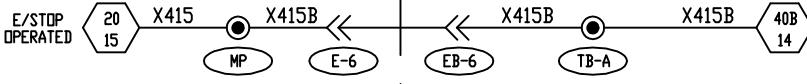
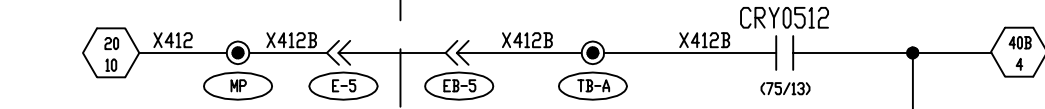
3082

3091

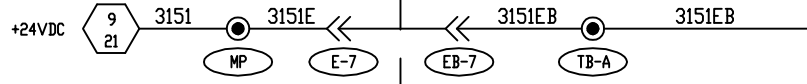
GANTRY EMERGENCY STOP SIGNALS



INITIATE PRESS AIR BLAST



GANTRY IN AUTO AND SERVING



PART LOADED AND GANTRY CLEAR



PART UNLOADED AND GANTRY CLEAR



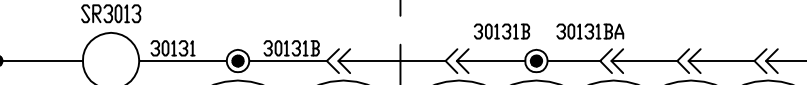
OK TO OPEN/CLOSE OVERHEAD GUARD



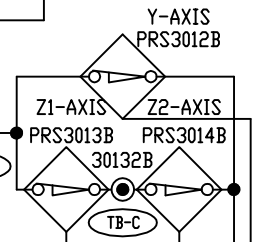
OK TO MOVE PRESS 2 TABLE



+24V DC FOR CONTROL



0V DC FOR CONTROL




NOTE:- ALL REFERENCES AND WIRE NUMBERS REFER TO WEKO DRAWINGS

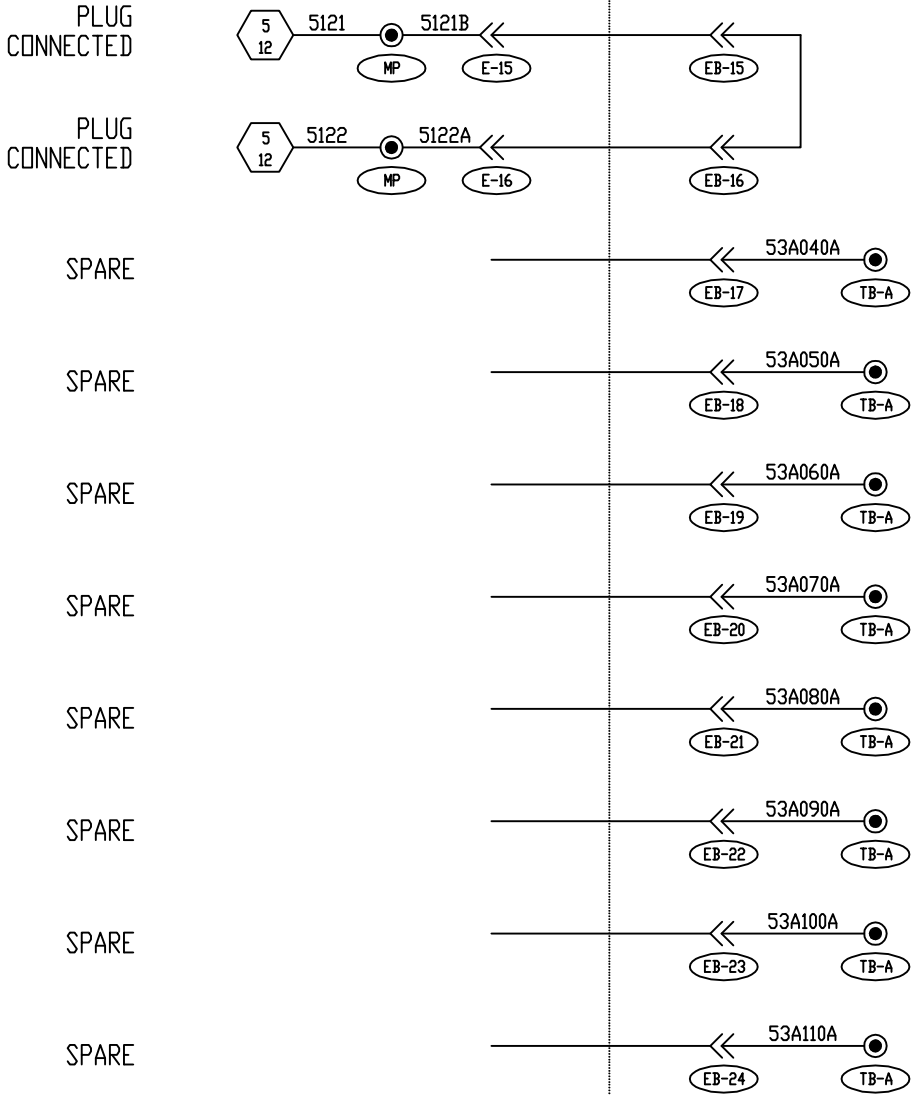
WEKO 1

GANTRY

NOTE:- AUTOMATION CABLES YELLOW 1.0mm

REV./DATE	APRIL 95	19/08/96	SCALE	N.T.S	©THIS DRAWING IS THE PROPERTY OF SILVERTECH (NORTHERN) LTD. IT IS SUPPLIED IN CONFIDENCE & MAY NOT BE COPIED OR EXHIBITED WITHOUT WRITTEN PERMISSION.	CLIENT:- NNUK Ltd.			 SILVERTECH SYSTEMS DESIGNERS • CONTROL ENGINEERS TEL. (01524) 846772	DOCUMENT No. 0043/GANTRY/53-53A	SHEET 53/53A	
DRAWN	P.D (JWF)	R.MAUN	SIZE	A3		TITLE:- DE-FLASHING PRESS GANTRY LOADER GANTRY TO PRESS 2						
CHECKED	G.B (JWF)		TOLERANCE			INTERFACE SIGNALS						
APPROVED			ALL DIMENSIONS IN MILLIMETRES UNLESS OTHERWISE STATED			DRAWN	CHECKED	APP'D				
ECN No.	F010-401-AB	043GAN53.DWG				R.M	D.P	P.A.M	APPROVED DATE:	19/08/96		

INTERLOCKS BETWEEN WEKO PRESS 2 AND GANTRY



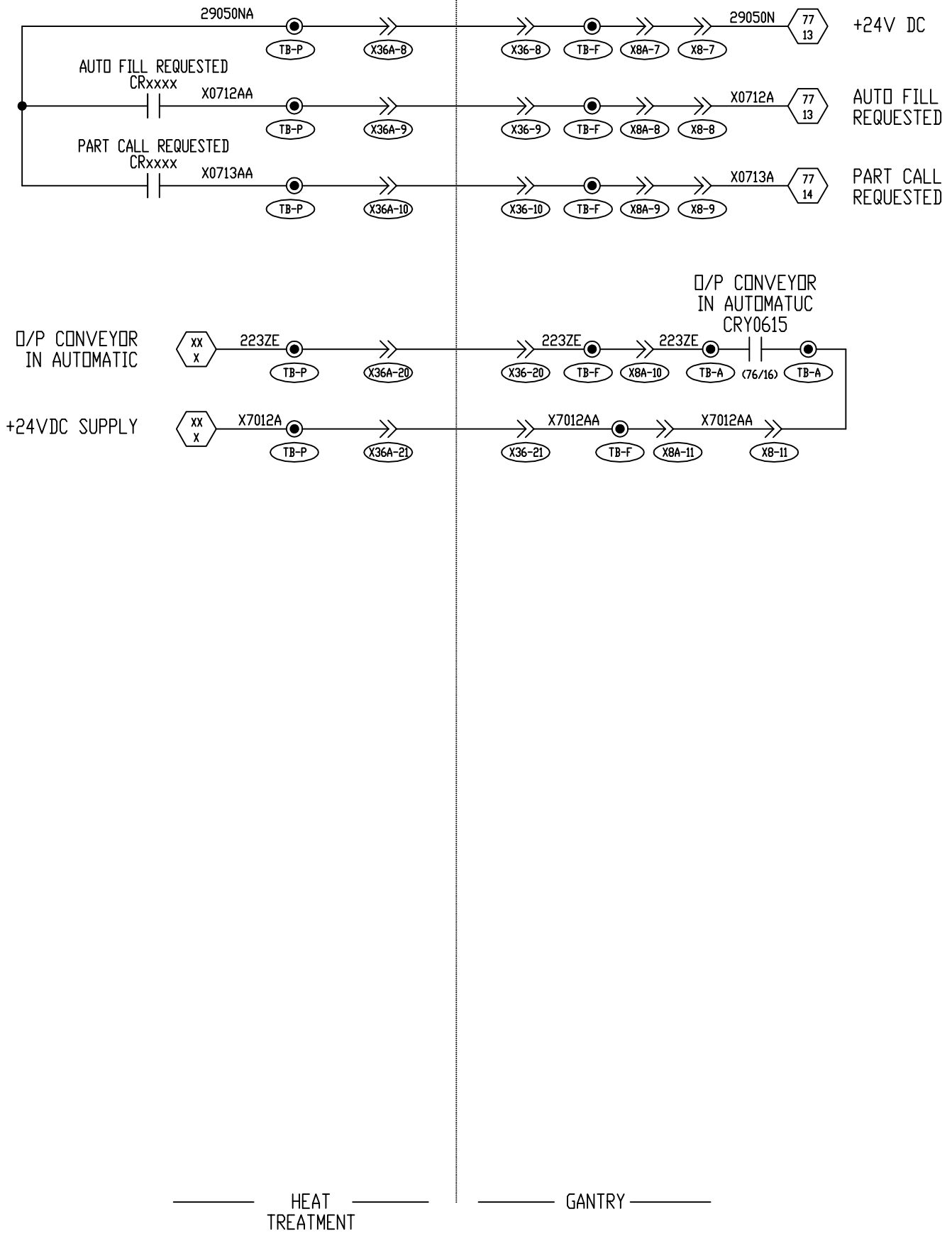
———— WEKO 1 ————— GANTRY —————

NOTE:- AUTOMATION CABLES YELLOW 1.0mm

Elect.	●	DESIGN P.D.						DE-FLASHING PRESS GANTRY LOADER	
Hydr.	○	DRAWN P.D.						TITLE	
Pneum.	○	CHECKED G.B.						SHEET 53A/54	
Lubr.	○	APPROVED						SHEET	
DATE APRIL 95		DRAWING NO F010-401-AA	CHANGES DATE NAME NISSAN MOTOR MANUFACTURING (UK) LIMITED No4870				GANTRY TO PRESS 2 INTERFACE SIGNALS		

JWF No.F010-4XX-053A

INTERLOCKS BETWEEN HEAT-TREATMENT AND GANTRY



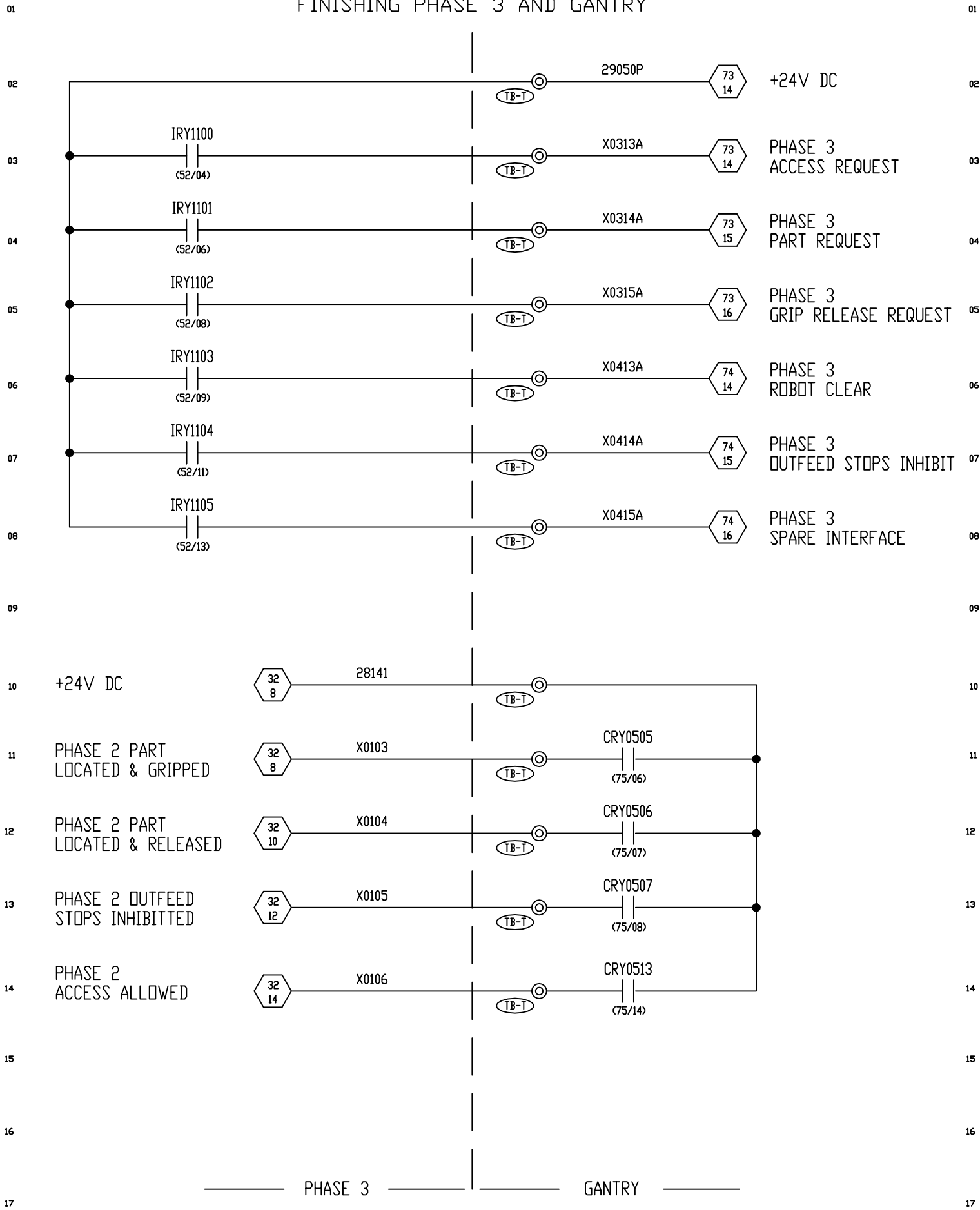
HEAT TREATMENT GANTRY

NOTE:- AUTOMATION CABLES YELLOW 1.0mm

Elect. ● Hydr. ○ Pneum. ○ Lubr. ○ DATE APRIL 95	DESIGN P.D.	CHANGES DATE NAME _____ _____ _____ _____	FROEHLICH FELSOMAT Automation & Engineering	DE-FLASHING PRESS GANTRY LOADER			
	DRAWN P.D.			TITLE	SHEET	54A/55	
	CHECKED G.B.			HEAT-TREATMENT TO GANTRY INTERFACE SIGNALS		SHEET	
	APPROVED			NISSAN MOTOR MANUFACTURING (UK) LIMITED No4870			
DRAWING NO F010-401-AB							

JWF No.F010-4XX-054A

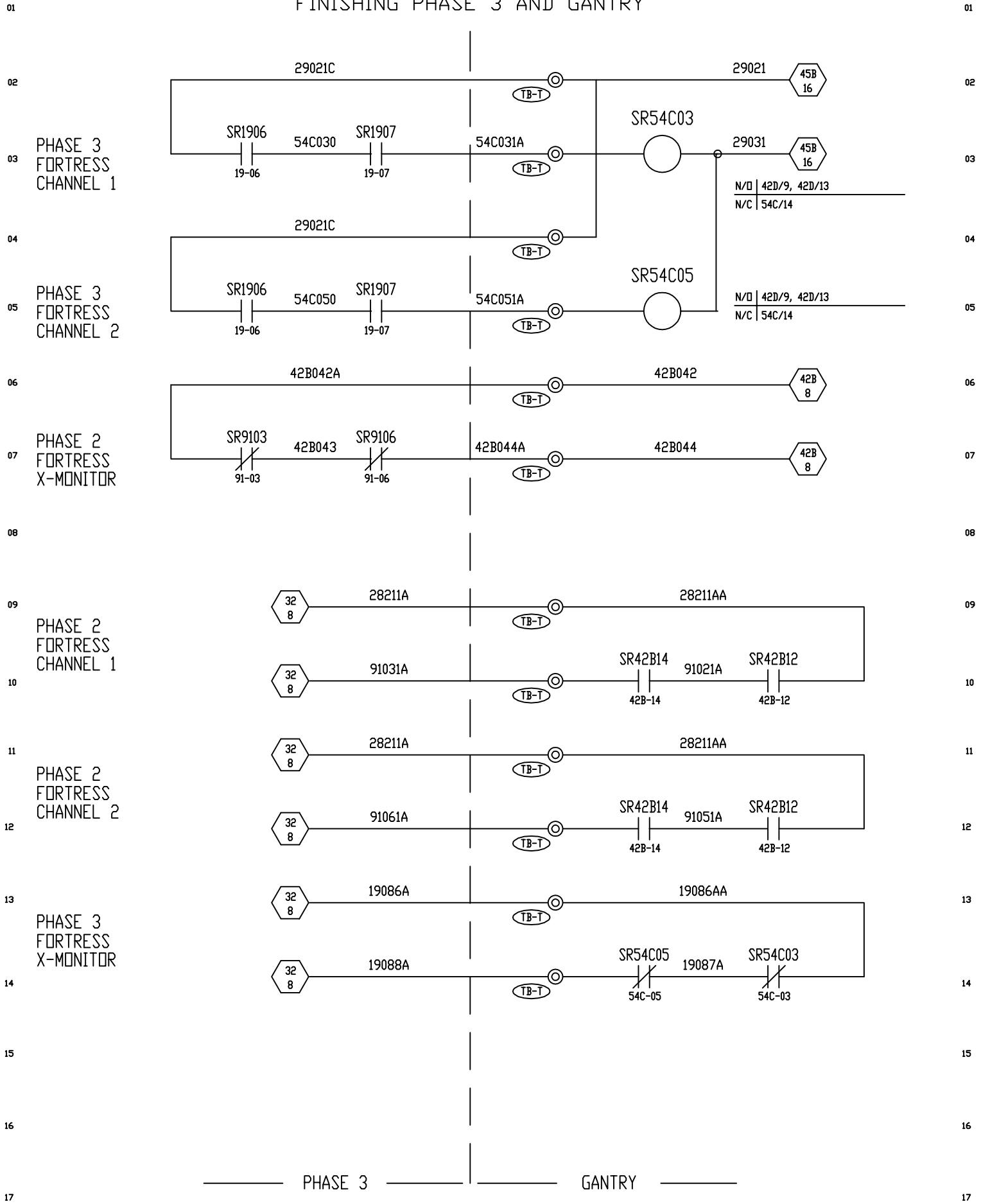
INTERLOCKS BETWEEN FINISHING PHASE 3 AND GANTRY



NOTE:- AUTOMATION CABLES YELLOW 1.0mm

REV./DATE			SCALE N.T.S		CLIENT:- NNUK Ltd.	SILVERTECH SYSTEMS DESIGNERS • CONTROL ENGINEERS TEL. (01524) 846772
DRAWN			SIZE A3	© THIS DRAWING IS THE PROPERTY OF SILVERTECH (NORTHERN) LTD. IT IS SUPPLIED IN CONFIDENCE & MAY NOT BE COPIED OR EXHIBITED WITHOUT WRITTEN PERMISSION.	TITLE:-	
CHECKED			TOLERANCE		DE-FLASHING PRESS GANTRY LOADER	
APPROVED			ALL DIMENSIONS IN MILLIMETRES UNLESS OTHERWISE STATED		PHASE 3 TO GANTRY	
ECN No.					INTERFACE SIGNALS	DOCUMENT No. 0042/GANTRY/54B-54C
					DRAWN I.M CHECKED APP'D APPROVED DATE:	SHEET 54B/54C

SAFETY INTERLOCKS BETWEEN FINISHING PHASE 3 AND GANTRY



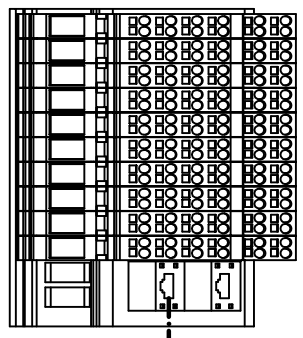
NOTE:- AUTOMATION CABLES YELLOW 1.0mm

REV./DATE				SCALE N.T.S		CLIENT:- NMUK Ltd.	SILVERTECH SYSTEMS DESIGNERS • CONTROL ENGINEERS TEL. (01524) 846772	
DRAWN				SIZE A3	©THIS DRAWING IS THE PROPERTY OF SILVERTECH (NORTHERN) LTD. IT IS SUPPLIED IN CONFIDENCE & MAY NOT BE COPIED OR EXHIBITED WITHOUT WRITTEN PERMISSION.	TITLE: DE-FLASHING PRESS GANTRY LOADER PHASE 3 TO GANTRY INTERFACE SIGNALS		
CHECKED				TOLERANCE		DRAWN I.M	CHECKED	APP'D
APPROVED				ALL DIMENSIONS IN MILLIMETRES UNLESS OTHERWISE STATED		APPROVED DATE: 19/07/02	DOCUMENT No. 0042/GANTRY/54C-55	SHEET 54C/55
ECN No.								

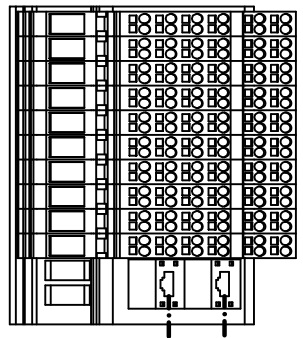
1 2 3 4 5 6 7 8 9 10 11 12 13 14 15 16 17

1 2 3 4 5 6 7 8 9 10 11 12 13 14 15 16 17

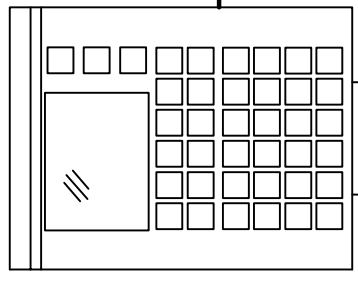
SERCOS DIGITAL I/O MODULE 02



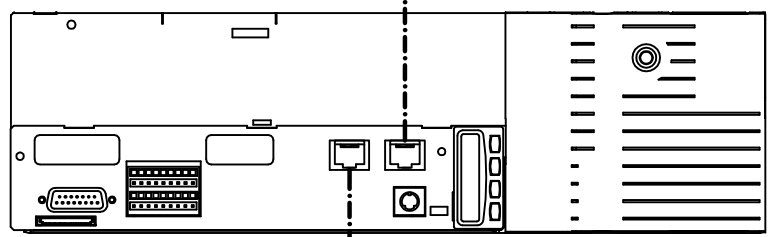
SERCOS DIGITAL I/O MODULE 10



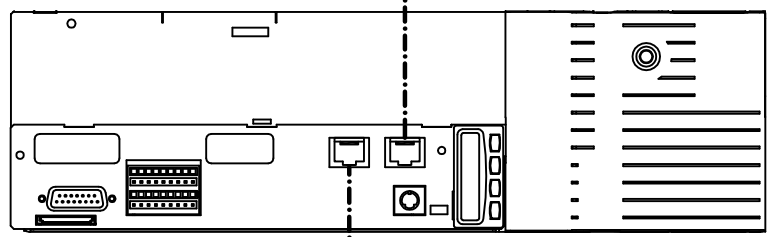
INDRACONTROL VCP08



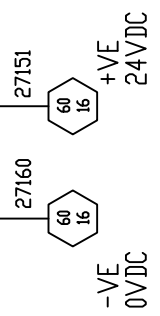
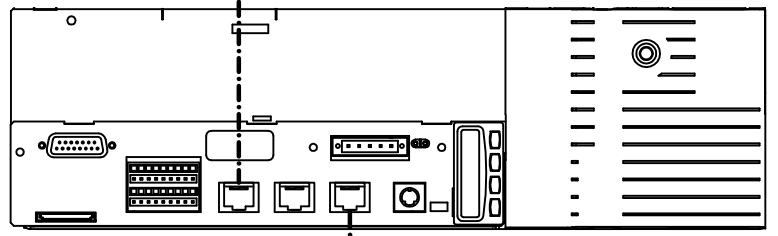
CSH01.2C Z2-AXIS



CSH01.2C Z1-AXIS



CSH01.2C Y-AXIS



Elect.	<input checked="" type="radio"/>	DESIGN	P.D.
Hydr.	<input type="radio"/>	DRAWN	
Pneum.	<input type="radio"/>	CHECKED	P.D.
Lubr.	<input type="radio"/>	APPROVED	G.B.
DATE	APRIL 95		

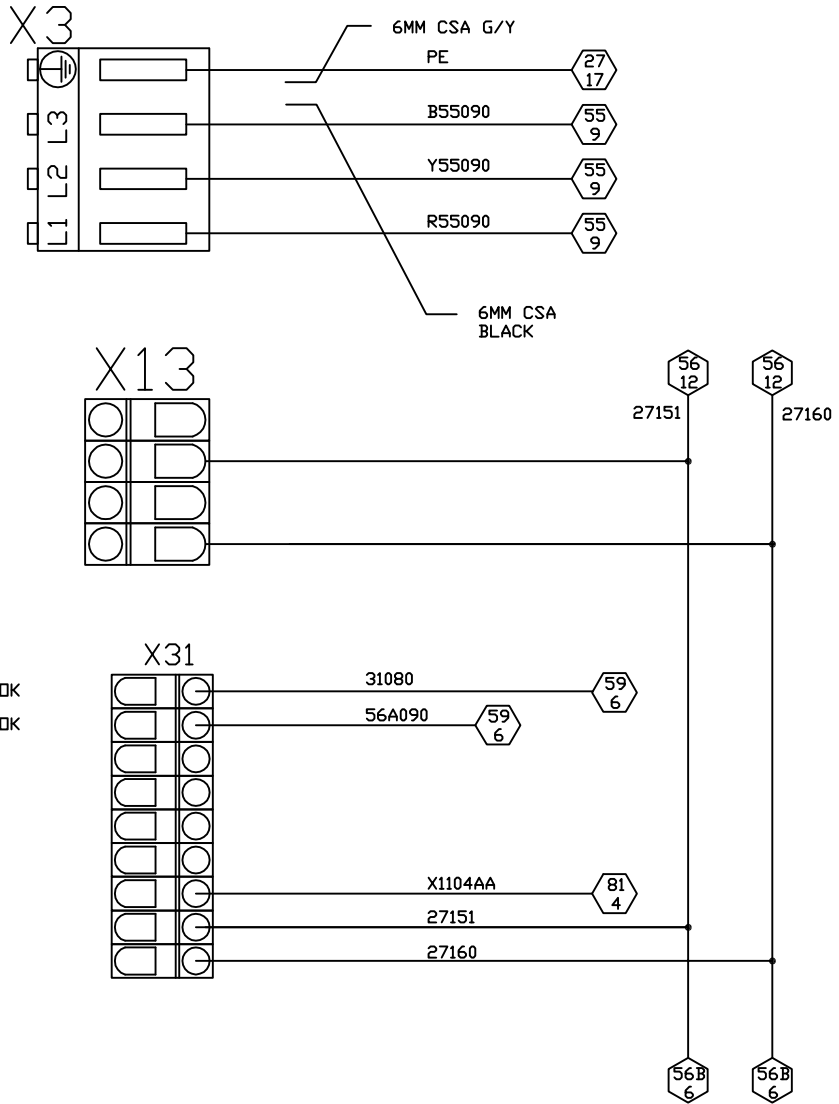
DRAWING No		F010-401-AD
CHANGES	DATE	NAME
	JUL 12	IAV

contron

NISSAN MOTOR MANUFACTURING (UK) LIMITED

DE-FLASHING PRESS GANTRY LOADER	
TITLE	SHEET
DRIVE CONTROL SYSTEM OVERVIEW	55A/56
	SHEET

Z1 AXIS INTERFACE



Pin 4 24Vdc
 Pin 3 24Vdc
 Pin 2 0Vdc
 Pin 1 0Vdc

Relay Contact (Bb) DRV OK
 Relay Contact (Bb) DRV OK
 Digital Input E1
 Digital Input E2
 Digital Input E3
 Digital Input E4
 Digital Input E5
 24V_ext Input
 0V_ext Input

ALL WIRES 1.0mm² BLUE
 UNLESS STATED OTHERWISE

Elect.	<input checked="" type="radio"/>
Hydr.	<input type="radio"/>
Pneum.	<input type="radio"/>
Lubr.	<input type="radio"/>
DATE	APRIL 95

DESIGN	P.D.
DRAWN	P.D.
CHECKED	G.B.
APPROVED	G.B.
DRAWING No	F010-401-AF

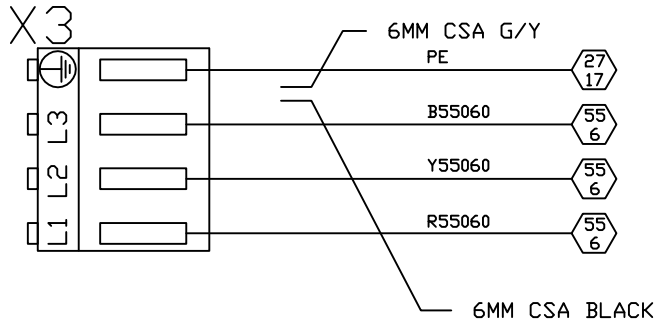
FROEHLICH
FELSO MAT
 Automation & Engineering

NISSAN MOTOR MANUFACTURING
 (UK) LIMITED

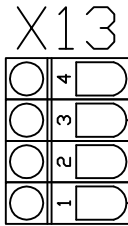
DE-FLASHING PRESS GANTRY LOADER	
TITLE	AXIS CONTROL CIRCUIT SHEET
SHEET	56A/56B
SHEET	.

JWF No.F010-4XX-056

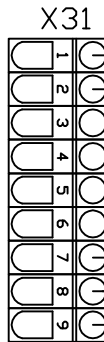
Y AXIS INTERFACE



Pin 4 24Vdc
 Pin 3 24Vdc
 Pin 2 0Vdc
 Pin 1 0Vdc



Relay Contact (Bb) DRV OK
 Relay Contact (Bb) DRV OK
 Digital Input E1
 Digital Input E2
 Digital Input E3
 Digital Input E4
 Digital Input E5 (HOME SW)
 24V_ext input
 0V_ext input



ALL WIRES 1.0mm² BLUE
 UNLESS STATED OTHERWISE

Elect.	<input checked="" type="radio"/>
Hydr.	<input type="radio"/>
Pneum.	<input type="radio"/>
Lubr.	<input type="radio"/>
DATE	APRIL 95

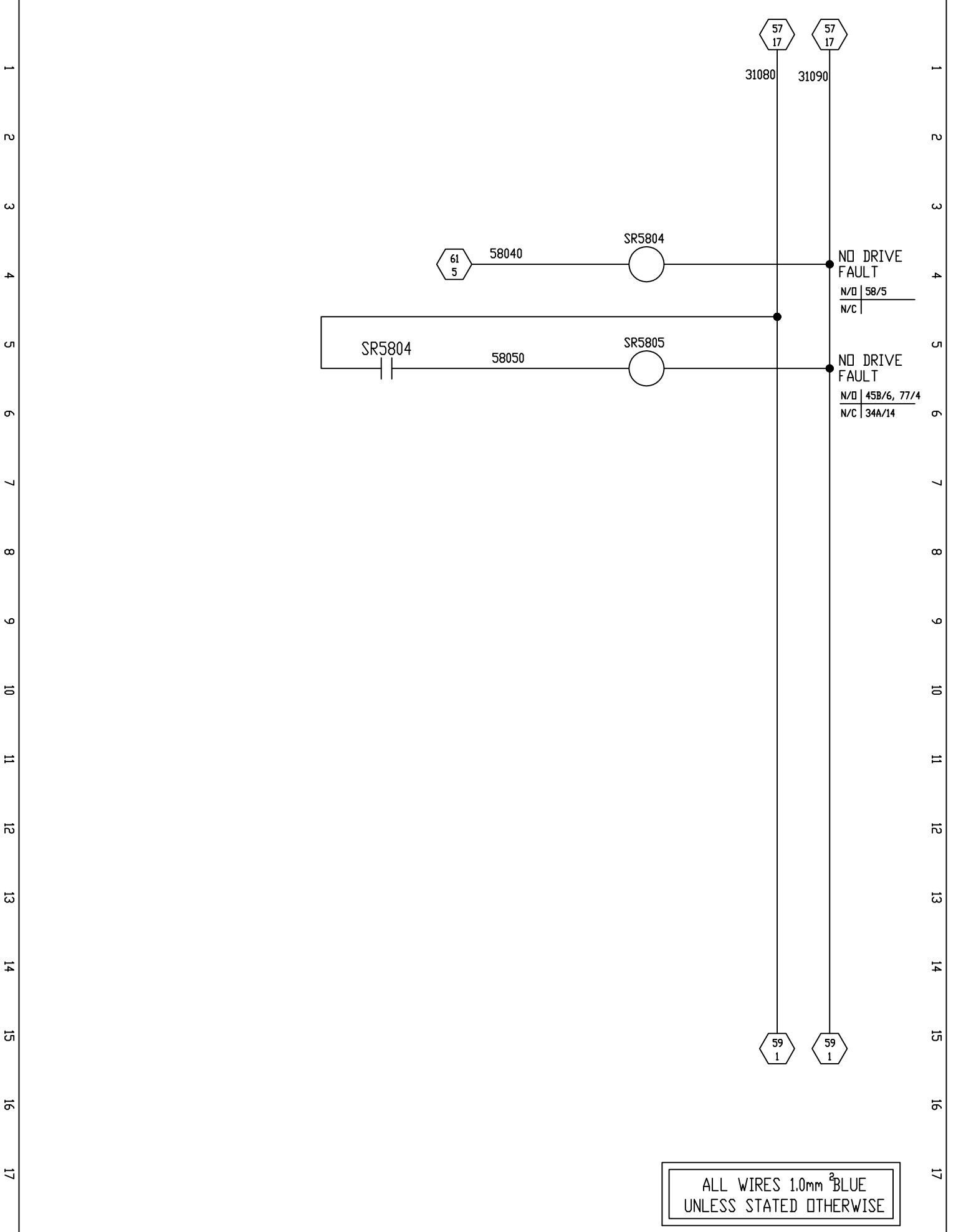
DESIGN	P.D.
DRAWN	P.D.
CHECKED	G.B.
APPROVED	
DRAWING NO	F010-401-AF

FROEHLICH
FELSO MAT
 Automation & Engineering

NISSAN MOTOR MANUFACTURING
 (UK) LIMITED

DE-FLASHING PRESS GANTRY LOADER	
TITLE	AXIS CONTROL CIRCUIT SHEET
SHEET	56/56A
SHEET	


JWF No.F010-4XX-056



ALL WIRES 1.0mm² BLUE
UNLESS STATED OTHERWISE

Elect.	<input checked="" type="radio"/>
Hydr.	<input type="radio"/>
Pneum.	<input type="radio"/>
Lubr.	<input type="radio"/>
DATE	APRIL 95

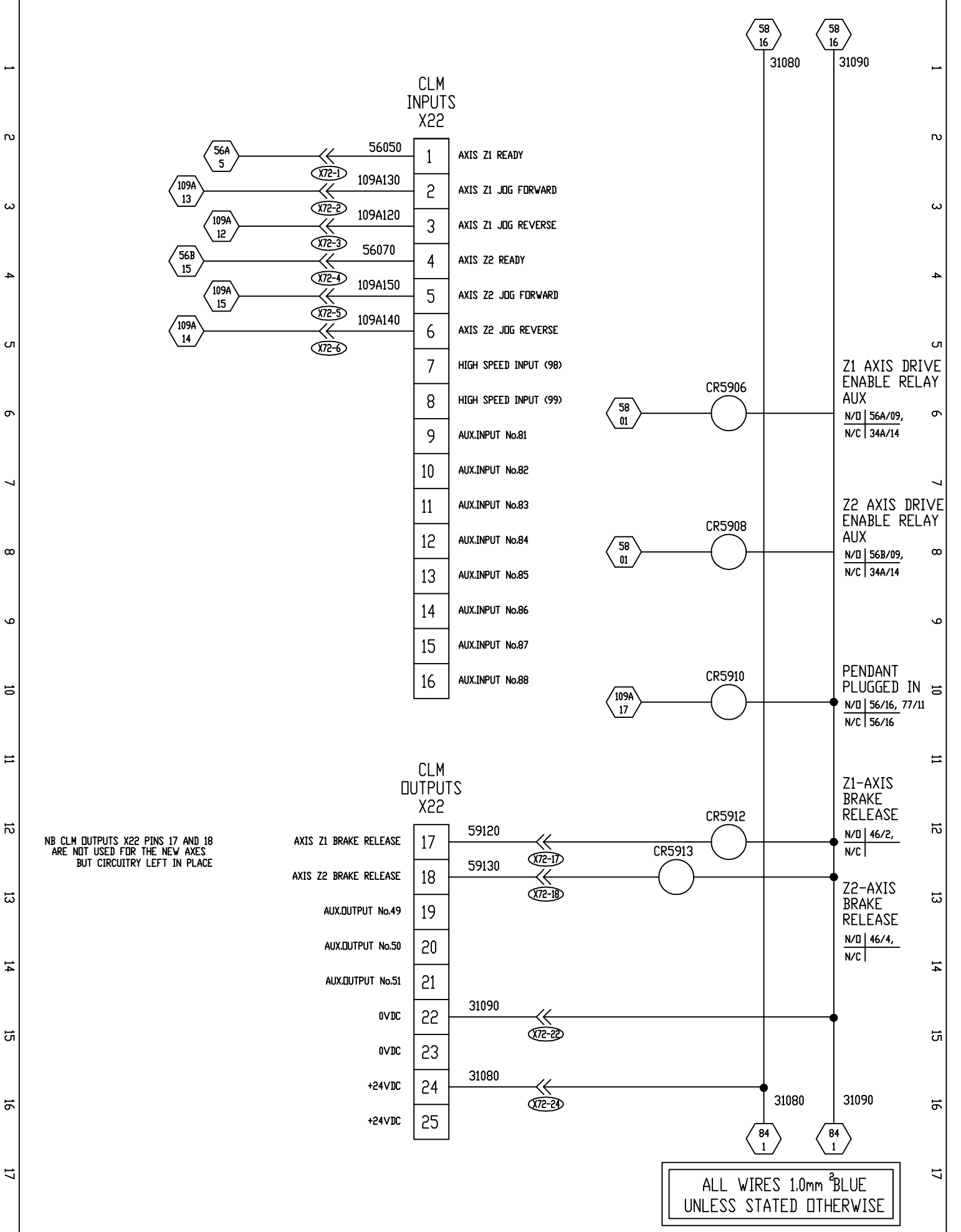
DESIGN	P.D.
DRAWN	P.D.
CHECKED	G.B.
APPROVED	
DRAWING No	F010-401-AC


FROEHLICH
FELSO MAT
 Automation & Engineering

NISSAN MOTOR MANUFACTURING
 (UK) LIMITED

DE-FLASHING PRESS GANTRY LOADER	
TITLE	AXIS CONTROL CIRCUIT SHEET
SHEET	58/59
SHEET	.

JWF No.F010-4XX-058




Elect. ● Hydr. ○ Pneum. ○ Lubr. ○ DATE APRIL 95	DESIGN P.D.	CHANGES DATE NAME JUL 96 RNB	FROEHLICH FELSOMAT Automation & Engineering NISSAN MOTOR MANUFACTURING (UK) LIMITED	DE-FLASHING PRESS GANTRY LOADER		SHEET 59/60 SHEET
	DRAWN P.D.			TITLE AXIS CONTROL CIRCUIT SHEET		
	CHECKED G.B.					
	APPROVED					
DRAWING NO F010-401-AE						

JWF No.F010-4XX-059

1
2
3
4
5
6
7
8
9
10
11
12
13
14
15
16
17

1
2
3
4
5
6
7
8
9
10
11
12
13
14
15
16
17

SPARE SHEETS 60 - 61

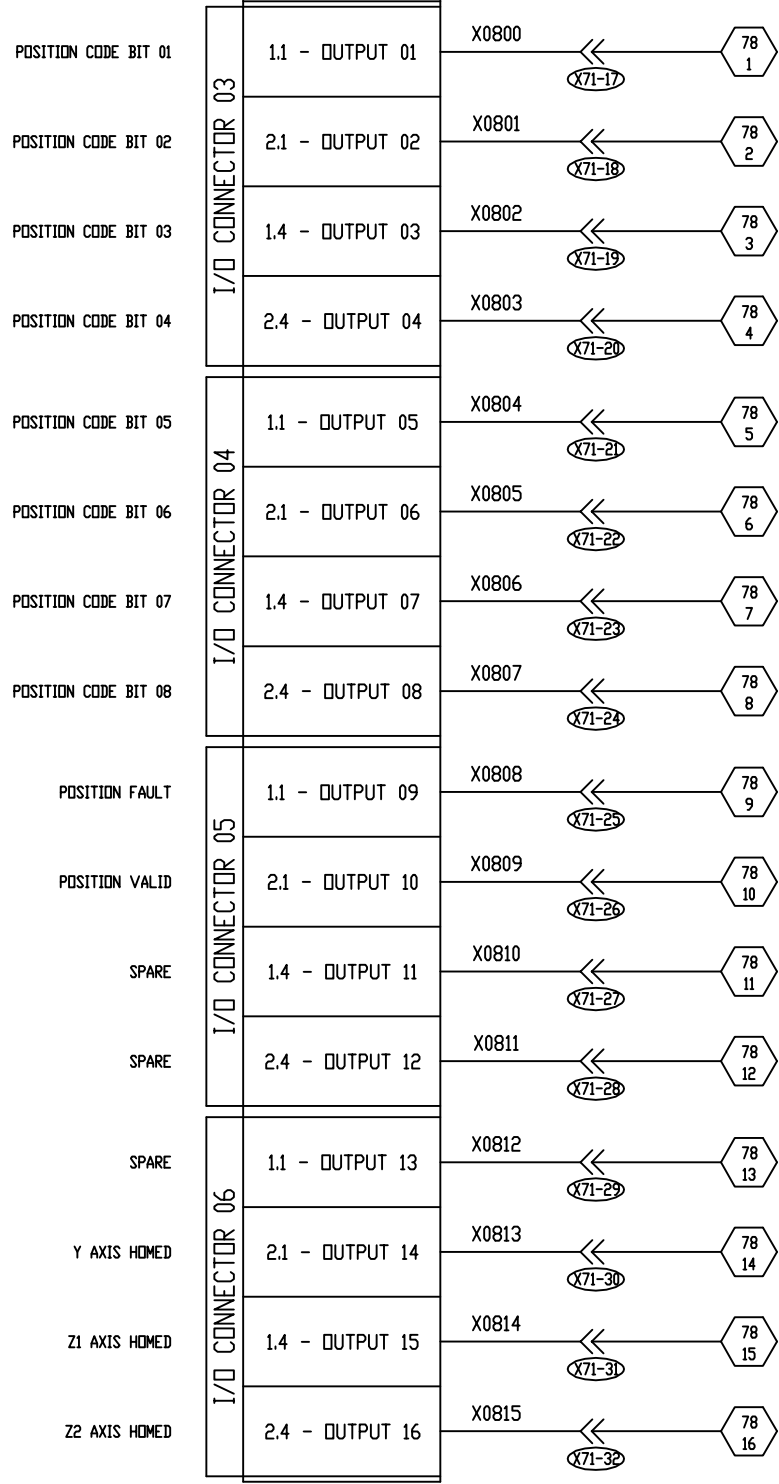
Elect. <input checked="" type="radio"/>	DESIGN P.D.									CHANGES DATE NAME DATE NAME DATE NAME DATE NAME		DE-FLASHING PRESS GANTRY LOADER		SHEET 60/62	
Hydr. <input type="radio"/>	DRAWN P.D.											TITLE		SHEET	
Pneum. <input type="radio"/>	CHECKED G.B.											SPARE SHEET		SHEET	
Lubr. <input type="radio"/>	APPROVED	DRAWING NO F010-401-AA				NISSAN MOTOR MANUFACTURING (UK) LIMITED									
DATE APRIL 95															

JWF No.F010-4XX-060

1
2
3
4
5
6
7
8
9
10
11
12
13
14
15
16
17

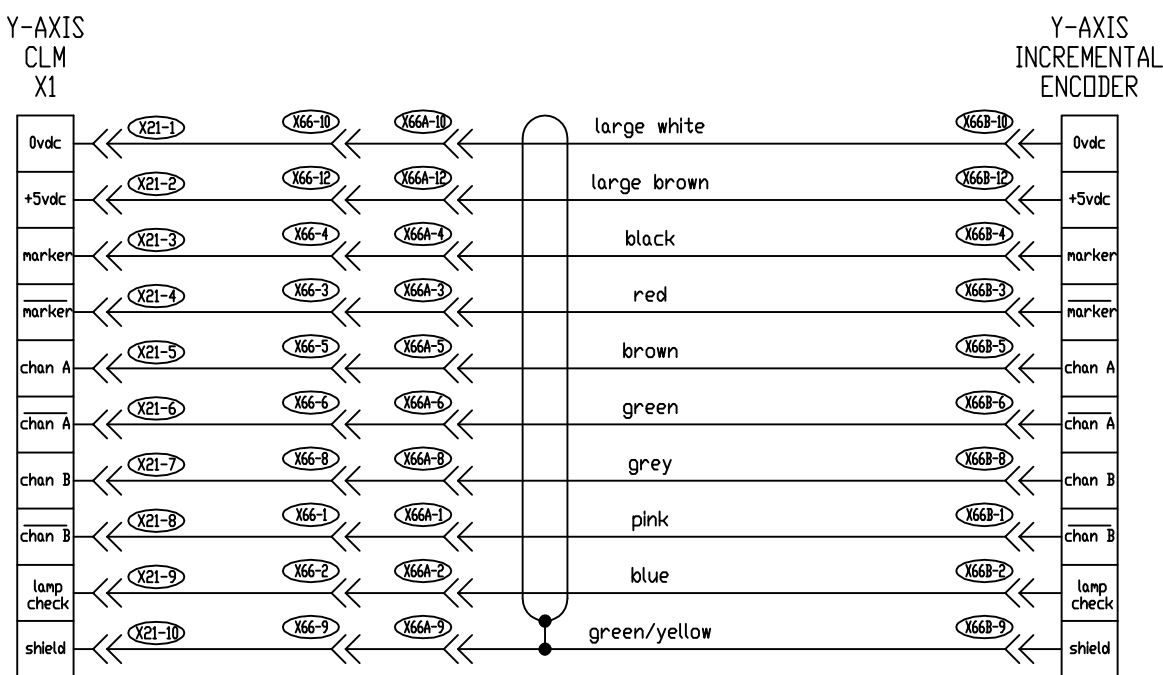
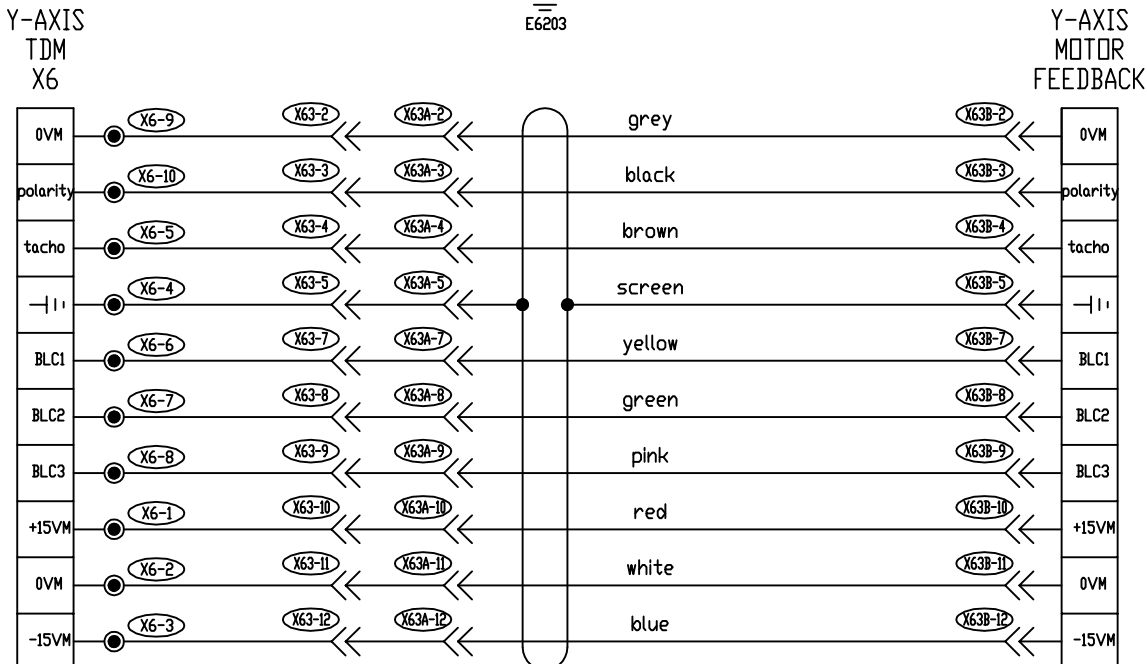
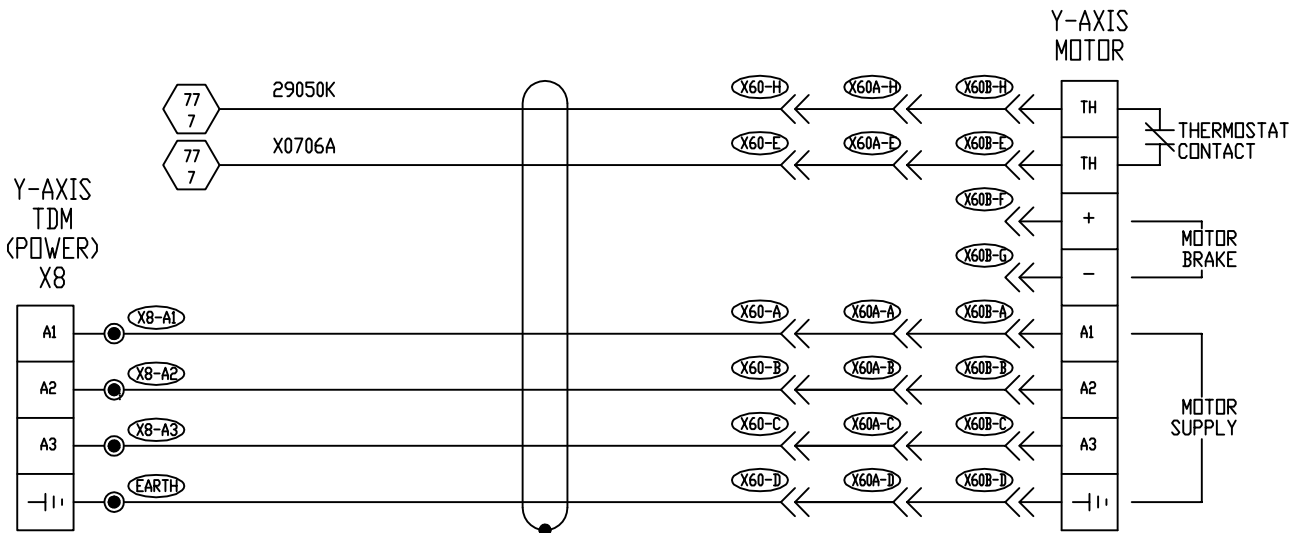
1
2
3
4
5
6
7
8
9
10
11
12
13
14
15
16
17

SERCOS III I/O
MODULE 02
OUTPUTS 1-16



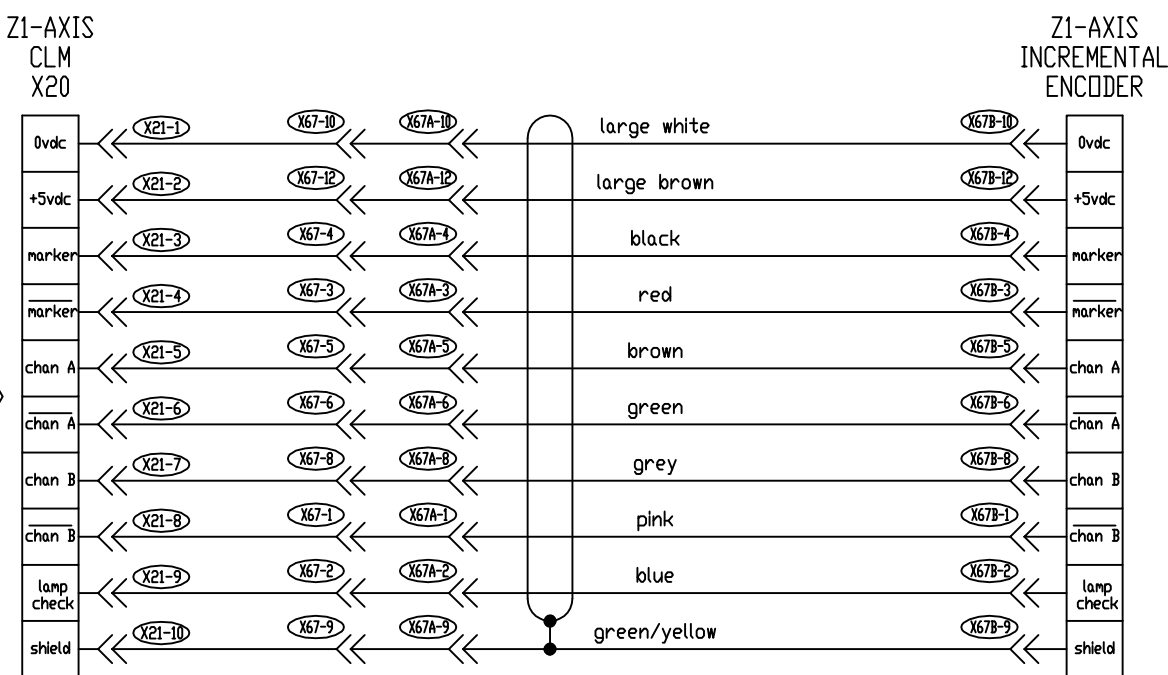
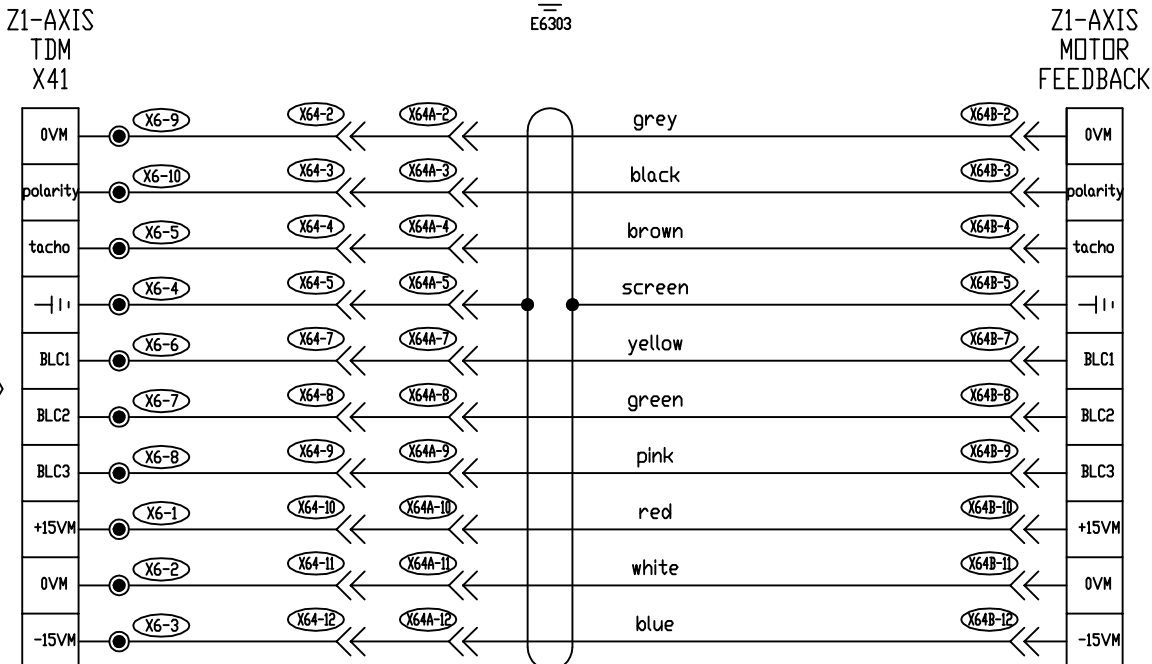
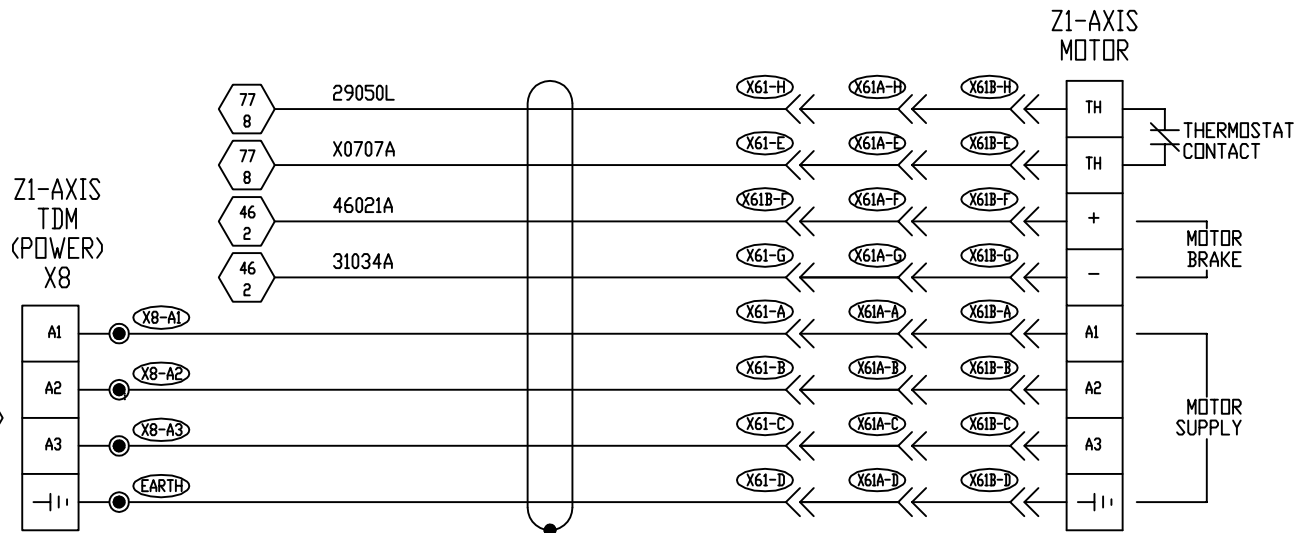
ALL WIRES 1.0mm² BLUE
UNLESS STATED OTHERWISE

Elect. <input checked="" type="radio"/>	DESIGN P.D.	<table border="1"> <tr><td> </td><td> </td><td> </td><td> </td><td> </td><td> </td></tr> <tr><td> </td><td> </td><td> </td><td> </td><td> </td><td> </td></tr> <tr><td> </td><td> </td><td> </td><td> </td><td> </td><td> </td></tr> <tr><td> </td><td> </td><td> </td><td> </td><td> </td><td> </td></tr> </table>																									<table border="1"> <tr><td>DATE</td><td>CHANGES</td></tr> <tr><td>JUL 12</td><td> </td></tr> <tr><td>NAME</td><td> </td></tr> <tr><td>IAV</td><td> </td></tr> </table>	DATE	CHANGES	JUL 12		NAME		IAV			DE-FLASHING PRESS GANTRY LOADER	
DATE	CHANGES																																					
JUL 12																																						
NAME																																						
IAV																																						
Hydr. <input type="radio"/>	DRAWN P.D.	DRAWING No F010-401-AA	NISSAN MOTOR MANUFACTURING (UK) LIMITED	TITLE	SHEET																																	
Pneum. <input type="radio"/>	CHECKED			SERCOS I/O MODULE 02	61B/61C																																	
Lubr. <input type="radio"/>	APPROVED G.B.			OUTPUTS 1-16	SHEET																																	
DATE APRIL 95																																						



Elect. <input checked="" type="radio"/>	DESIGN					DATE	CHANGES		DE-FLASHING PRESS GANTRY LOADER		SHEET	
Hydr. <input type="radio"/>	DRAWN					NAME			TITLE	Y-AXIS CABLE CONNECTION SHEET		62/63
Pneum. <input type="radio"/>	CHECKED											SHEET
Lubr. <input type="radio"/>	APPROVED											
DATE APRIL 95		DRAWING NO F010-401-AB				NISSAN MOTOR MANUFACTURING (UK) LIMITED						

JWF No.F010-4XX-062



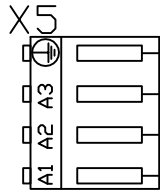
Elect. <input checked="" type="radio"/>	DESIGN	P.D.		DATE	CHANGES		DE-FLASHING PRESS GANTRY LOADER	
Hydr. <input type="radio"/>	DRAWN	P.D.		NAME			TITLE	SHEET
Pneum. <input type="radio"/>	CHECKED	G.B.		DRAWING NO			Z1-AXIS CABLE CONNECTION SHEET	63/64
Lubr. <input type="radio"/>	APPROVED	APRIL 95		F010-401-AB			NISSAN MOTOR MANUFACTURING (UK) LIMITED	SHEET

JWF No.F010-4XX-063

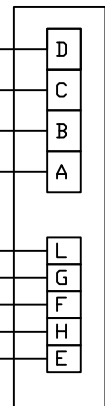
1
2
3
4
5
6
7
8
9
10
11
12
13
14
15
16
17

1
2
3
4
5
6
7
8
9
10
11
12
13
14
15
16
17

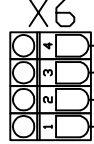
Z1 AXIS HCS



Z1 AXIS MOTOR



Z1 AXIS HCS



Pin 4 0Vdc (Brake Supply)
Pin 3 24Vdc (Brake Supply)
Pin 2 Mot Temp -
Pin 1 Mot Temp +
Motor Brake
Max Brake Current
2.00A dc eff

IKS4134/020

Z1 AXIS CSH

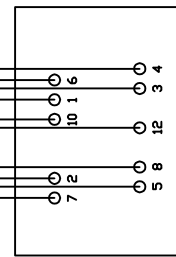
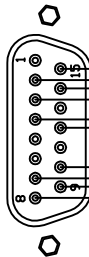
X8

HSF,RESOLVER EN1

Z1 AXIS CSH

MOTOR FEEDBACK

- PIN 1 GND_SHIELD
- GREEN PIN 2 A+
- PINK PIN 3 B+
- WHITE 0.5 PIN 4 GND_ENCODER
- PIN 5 NC
- PIN 6 NC
- RED PIN 7 I2C_SCLK
- VIOLET PIN 8 I2C_SDADUT
- BROWN PIN 9 A-
- GREY PIN 10 B-
- PIN 11 NC
- BROWN 0.5 PIN 12 VCC_ENCODER
- PIN 13 NC
- BLACK PIN 14 I2C_FSAMPLE
- BLUE PIN 15 I2C_SDAIN



IKS4042/020

Elect.	<input checked="" type="radio"/>
Hydr.	<input type="radio"/>
Pneum.	<input type="radio"/>
Lubr.	<input type="radio"/>
DATE	APRIL 95

DESIGN	P.D.
DRAWN	P.D.
CHECKED	G.B.
APPROVED	

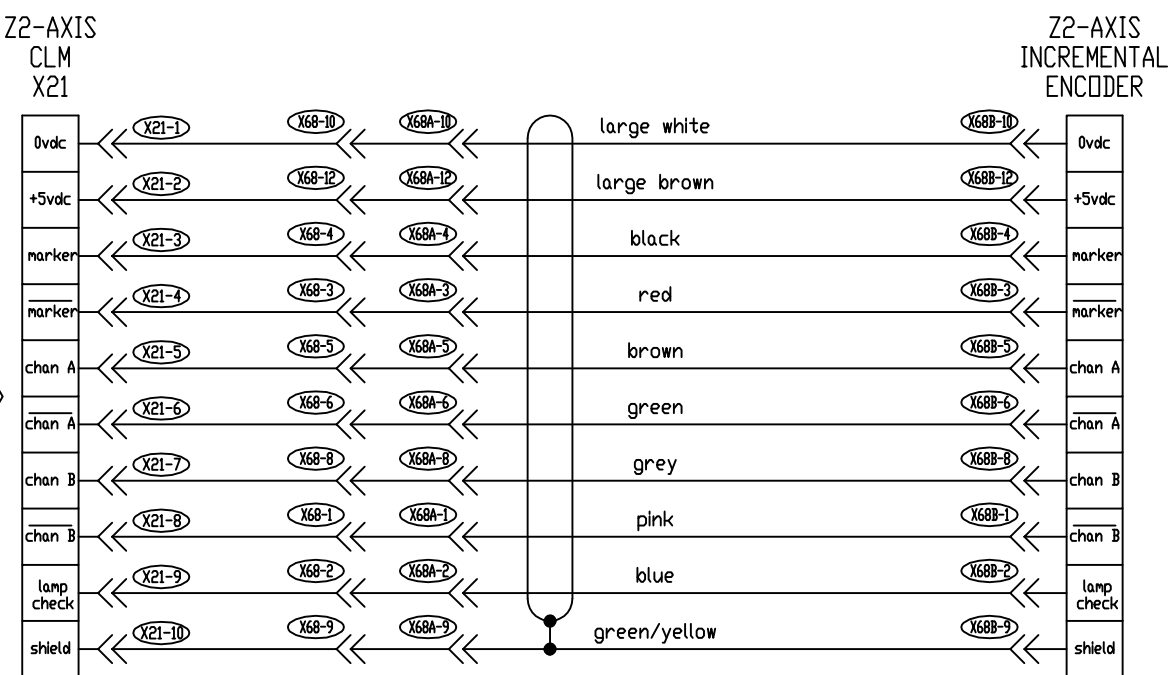
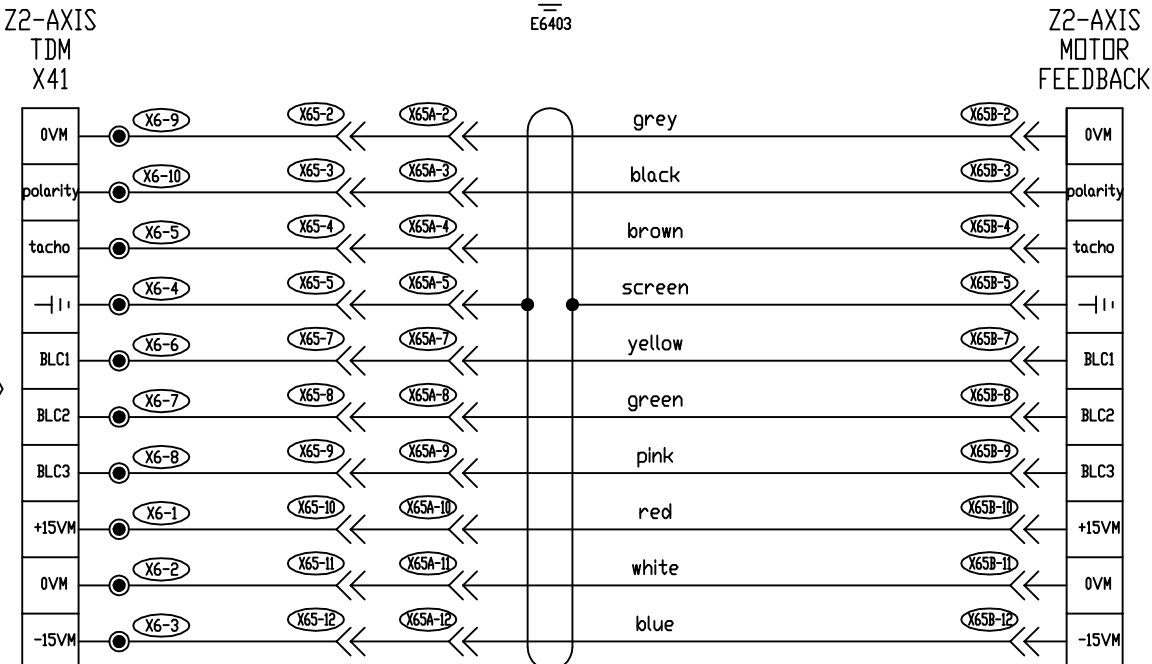
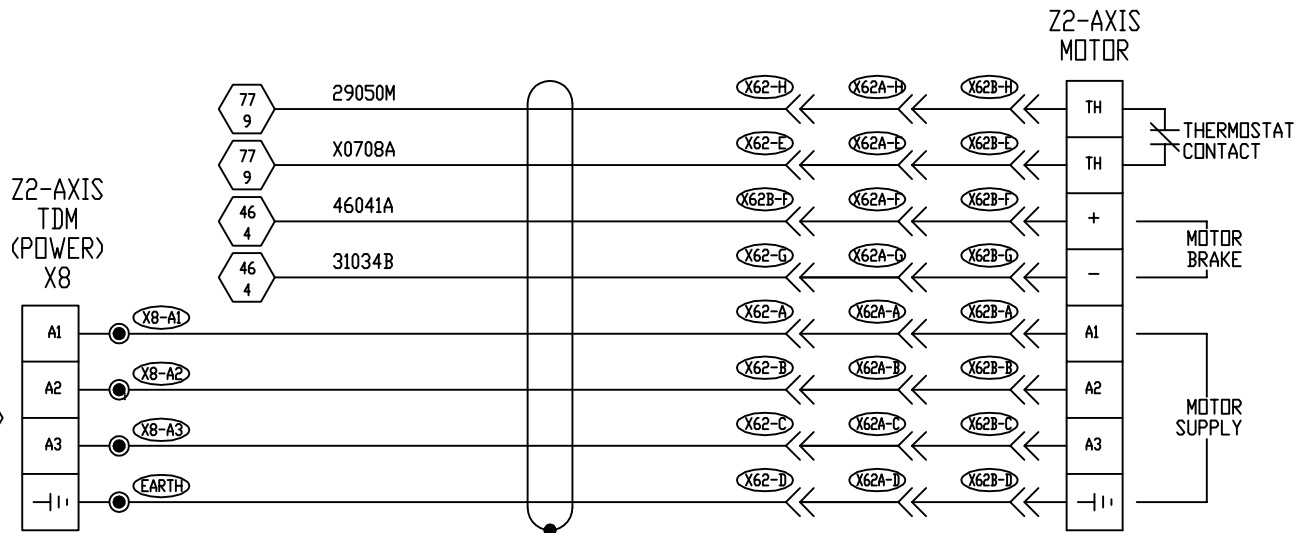
DRAWING No	F010-401-AB
DATE	JUL 96
NAME	RNB
DATE	JUL 12
NAME	JAV

FROEHLICH
FELSOMAT
Automation & Engineering

NISSAN MOTOR MANUFACTURING
(UK) LIMITED

DE-FLASHING PRESS GANTRY LOADER	
TITLE	Z1-AXIS CABLE CONNECTION SHEET
SHEET	63/64
SHEET	

JWF No.F010-4XX-063



Elect.
 Hydr.
 Pneum.
 Lubr.
 DATE
 APRIL 95

DESIGN	P.D.									DATE	
DRAWN										NAME	
CHECKED	P.D.										
APPROVED	G.B.										
DRAWING NO		F010-401-AA									

FROEHLICH
FELSO MAT
 Automation & Engineering

NISSAN MOTOR MANUFACTURING
 (UK) LIMITED

DE-FLASHING PRESS GANTRY LOADER

TITLE: Z2-AXIS CABLE CONNECTION SHEET


SHEET: 64/65

JWF No.F010-4XX-064

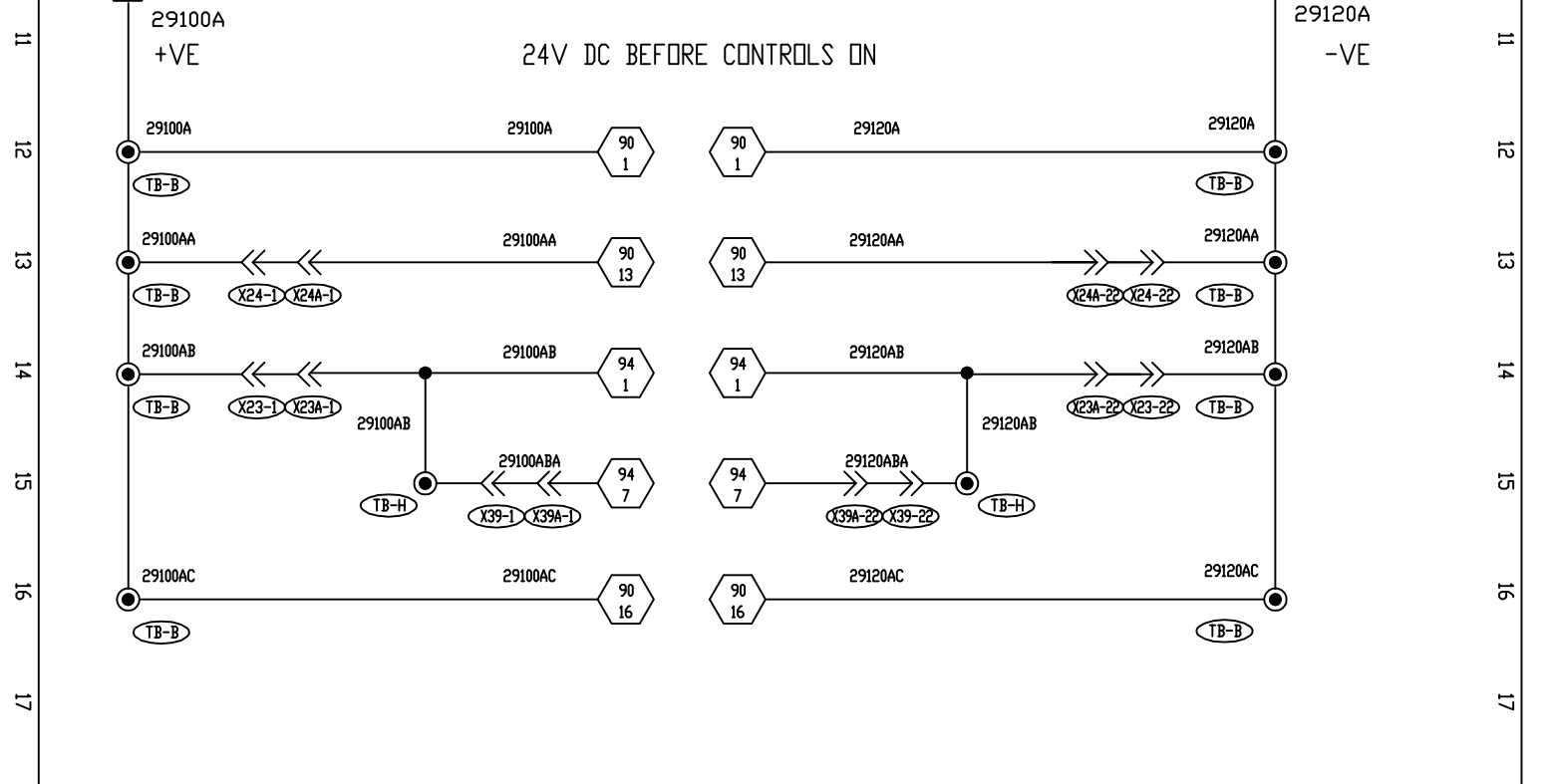
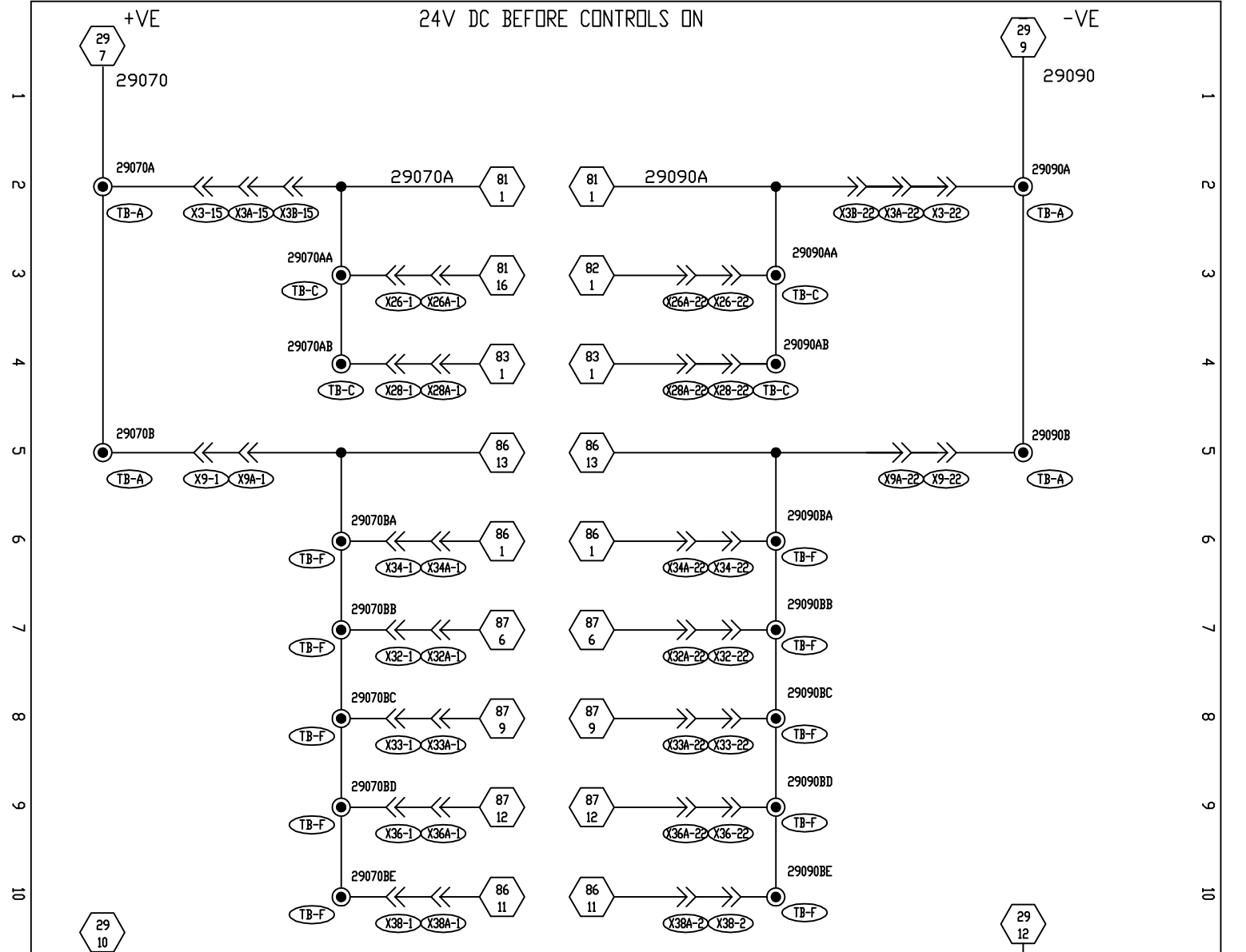
1
2
3
4
5
6
7
8
9
10
11
12
13
14
15
16
17

1
2
3
4
5
6
7
8
9
10
11
12
13
14
15
16
17

SPARE SHEETS 65 - 68

Elect. <input checked="" type="radio"/>	DESIGN P.D.									CHANGES DATE NAME DATE NAME DATE NAME DATE NAME		DE-FLASHING PRESS GANTRY LOADER		SHEET 65/69
Hydr. <input type="radio"/>	DRAWN P.D.											TITLE SPARE SHEET	SHEET	
Pneum. <input type="radio"/>	CHECKED G.B.													SHEET
Lubr. <input type="radio"/>	APPROVED	DRAWING NO F010-401-AA				NISSAN MOTOR MANUFACTURING (UK) LIMITED								
DATE APRIL 95														

JWF No.F010-4XX-065



Elect.	<input checked="" type="radio"/>
Hydr.	<input type="radio"/>
Pneum.	<input type="radio"/>
Lubr.	<input type="radio"/>
DATE	APRIL 95

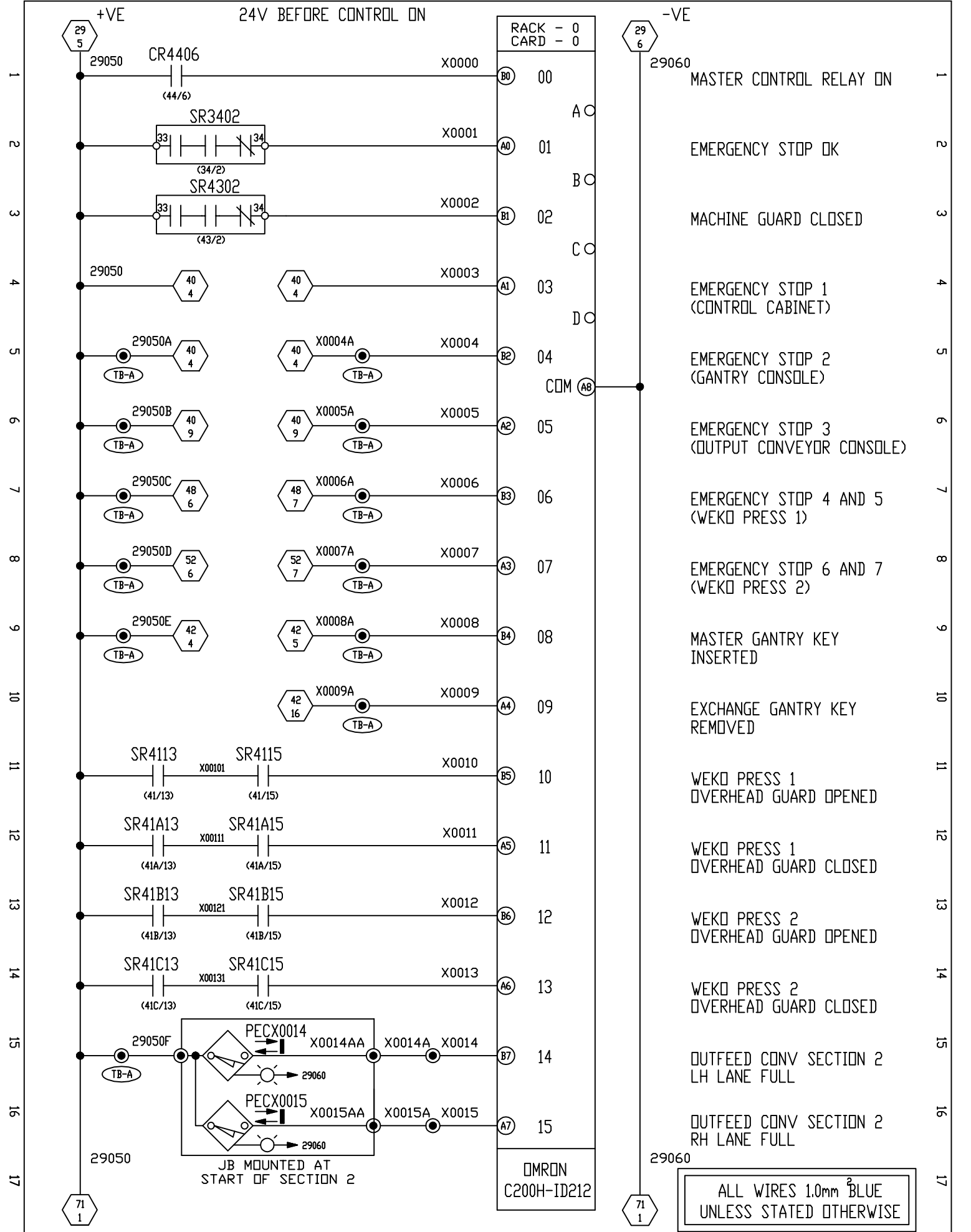
DESIGN	P.D.
DRAWN	
CHECKED	P.D.
APPROVED	G.B.
DRAWING NO	F010-401-AB

FROEHLICH
FELSO MAT
Automation & Engineering

NISSAN MOTOR MANUFACTURING
(UK) LIMITED No4870

FLASHING PRESS GANTRY LOADER	
TITLE	24V DC DISTRIBUTION BEFORE CONTROLS ON
SHEET	69/70
SHEET	

JWF No.F010-4XX-069



Elect.	●
Hydr.	○
Pneum.	○
Lubr.	○
DATE	APRIL 95

DESIGN	P.D.																			
DRAWN	P.D.																			
CHECKED	G.B.																			
APPROVED																				
DRAWING NO		F010-401-AA																		

FROEHLICH

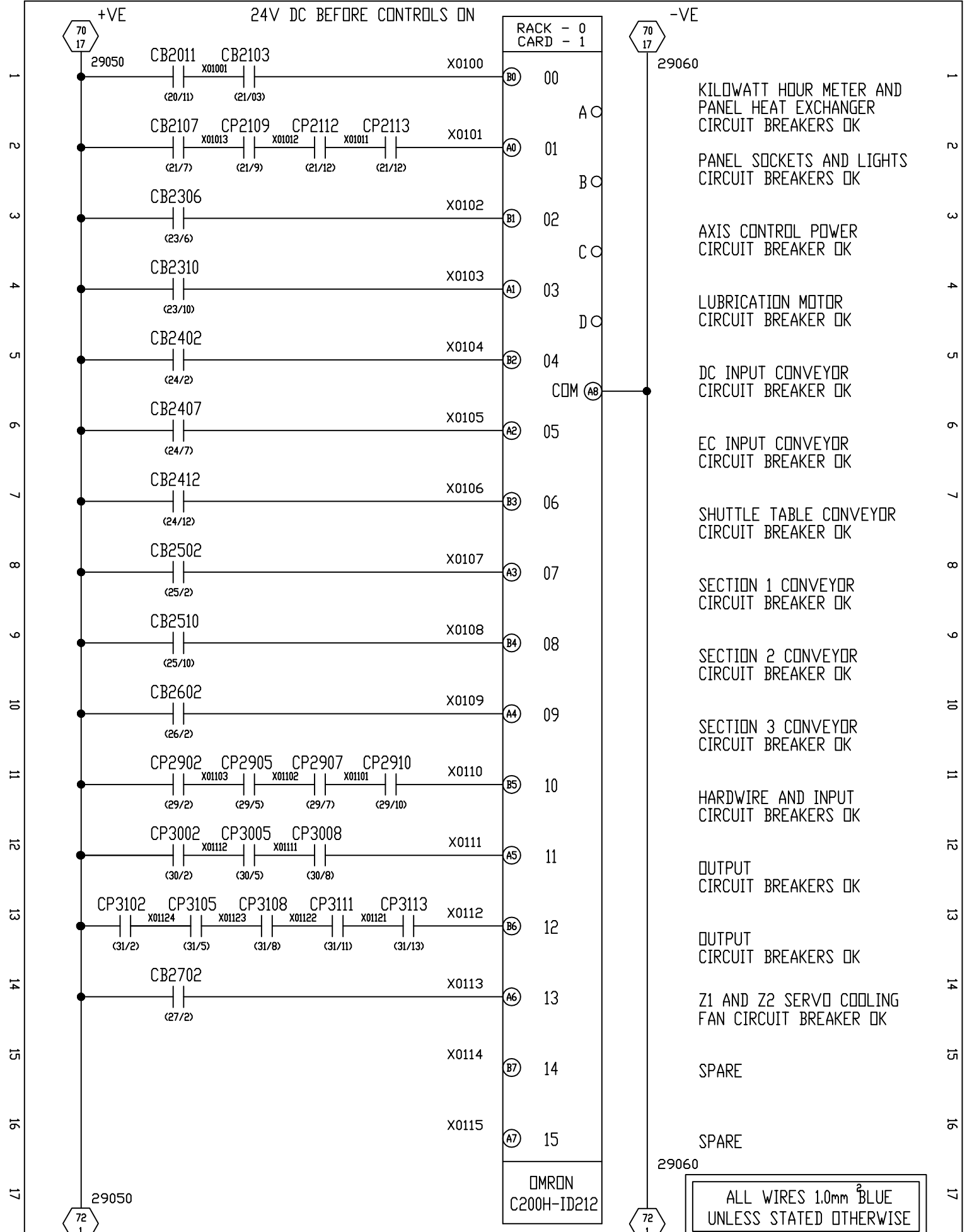
FELSOMAT

 Automation & Engineering

NISSAN MOTOR MANUFACTURING
 (UK) LIMITED No4870

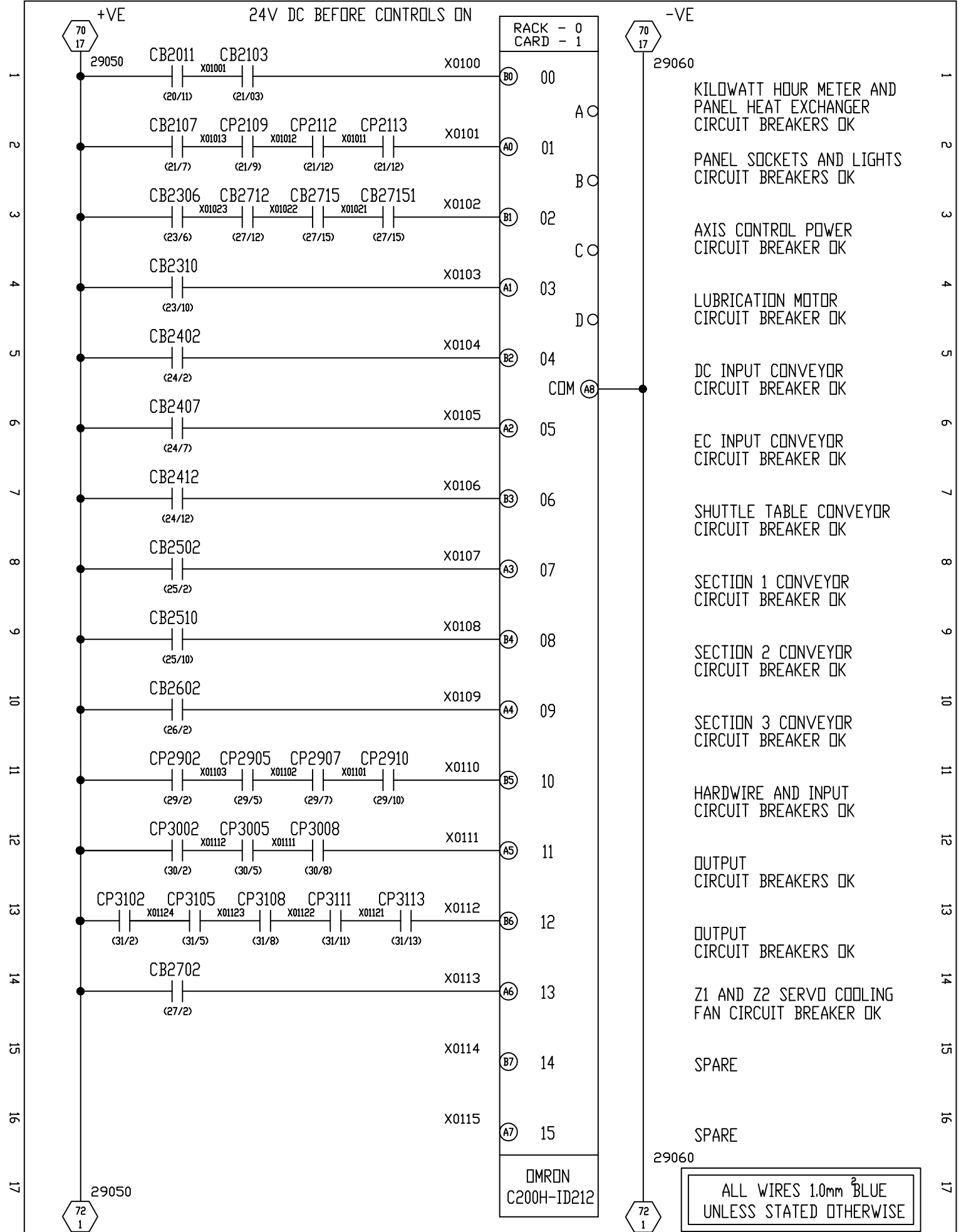
DE-FLASHING PRESS GANTRY LOADER	
TITLE	RACK - 0 INPUT CARD - 0 MAIN CABINET
SHEET	70/71
SHEET	

JWF No.F010-4XX-070



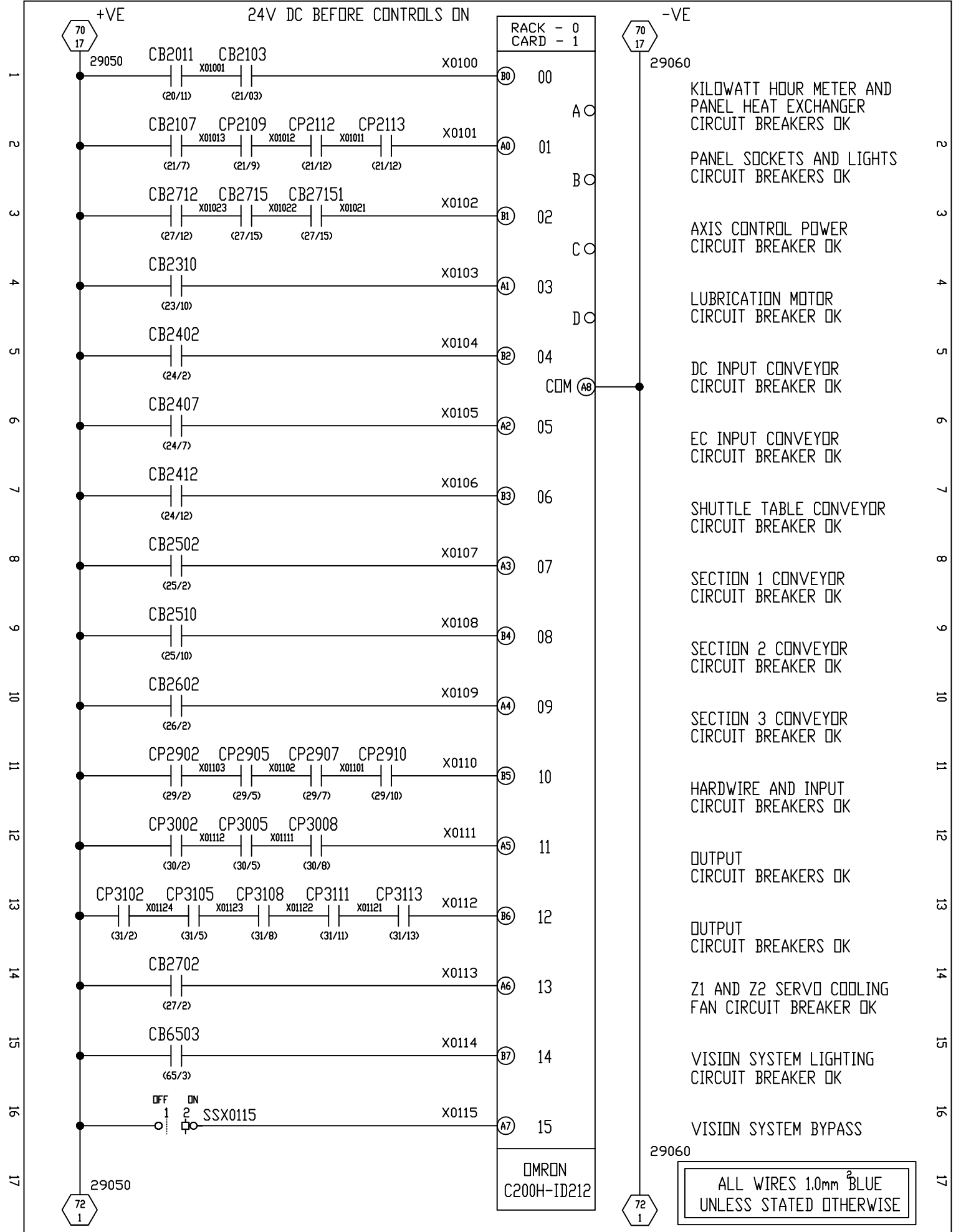
Elect.	<input checked="" type="radio"/>	DESIGN	P.D.						DATE	CHANGES DATE NAME		DE-FLASHING PRESS GANTRY LOADER		
Hydr.	<input type="radio"/>	DRAWN	P.D.									DRAWING NO F010-401-AB	TITLE	SHEET
Pneum.	<input type="radio"/>	CHECKED	G.B.										RACK - 0 INPUT CARD - 1 CABINET	71/72
Lubr.	<input type="radio"/>	APPROVED											NISSAN MOTOR MANUFACTURING (UK) LIMITED No4870	SHEET
DATE	APRIL 95											SHEET		

JWF No.F010-4XX-071



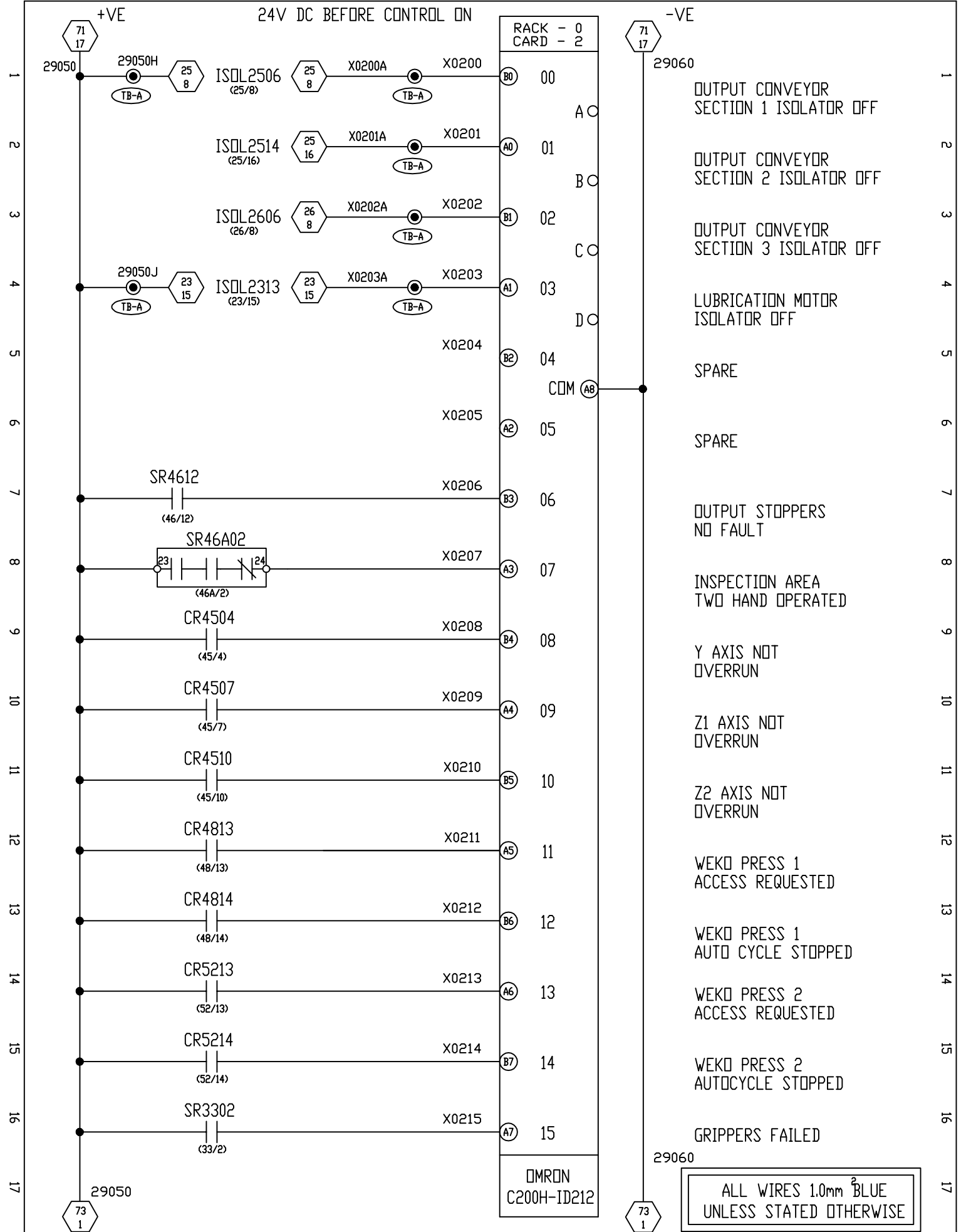
Elect. <input checked="" type="radio"/>	DESIGN P.D.					CHANGES DATE NAME _____ _____ _____ _____ _____ _____	 Automation & Engineering	DE-FLASHING PRESS GANTRY LOADER	
Hydr. <input type="radio"/>	DRAWN P.D.							TITLE RACK - 0 INPUT CARD - 1 CABINET	SHEET 71/72
Pneum. <input type="radio"/>	CHECKED G.B.								SHEET
Lubr. <input type="radio"/>	APPROVED	DRAWING NO F010-401-AB						NISSAN MOTOR MANUFACTURING (UK) LIMITED No4870	
DATE APRIL 95									


JWF No.F010-4XX-071



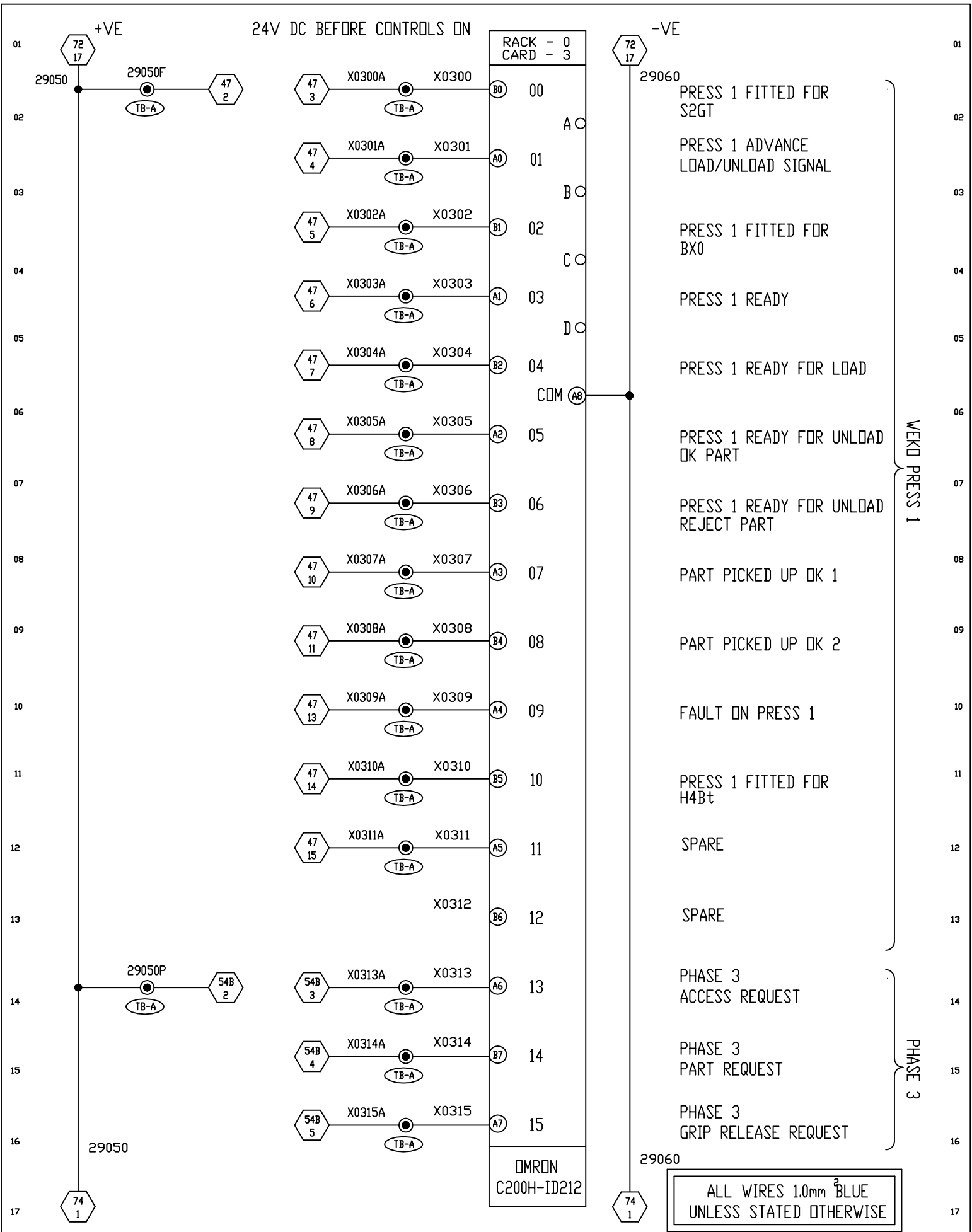
Elect. <input checked="" type="radio"/>	DESIGN	P.D.							<p>FROEHLICH PELSOMAT Automation & Engineering</p>	DE-FLASHING PRESS GANTRY LOADER		
Hydr. <input type="radio"/>	DRAWN	P.D.	JUL 12	DATE						TITLE	RACK - 0 INPUT CARD - 1 CABINET	SHEET 71/72
Pneum. <input type="radio"/>	CHECKED	G.B.	JAN	NAME								SHEET
Lubr. <input type="radio"/>	APPROVED											
DATE	DRAWING No		F010-401-AB		NISSAN MOTOR MANUFACTURING (UK) LIMITED No4870							
APRIL 95												

JWF No.F010-4XX-071

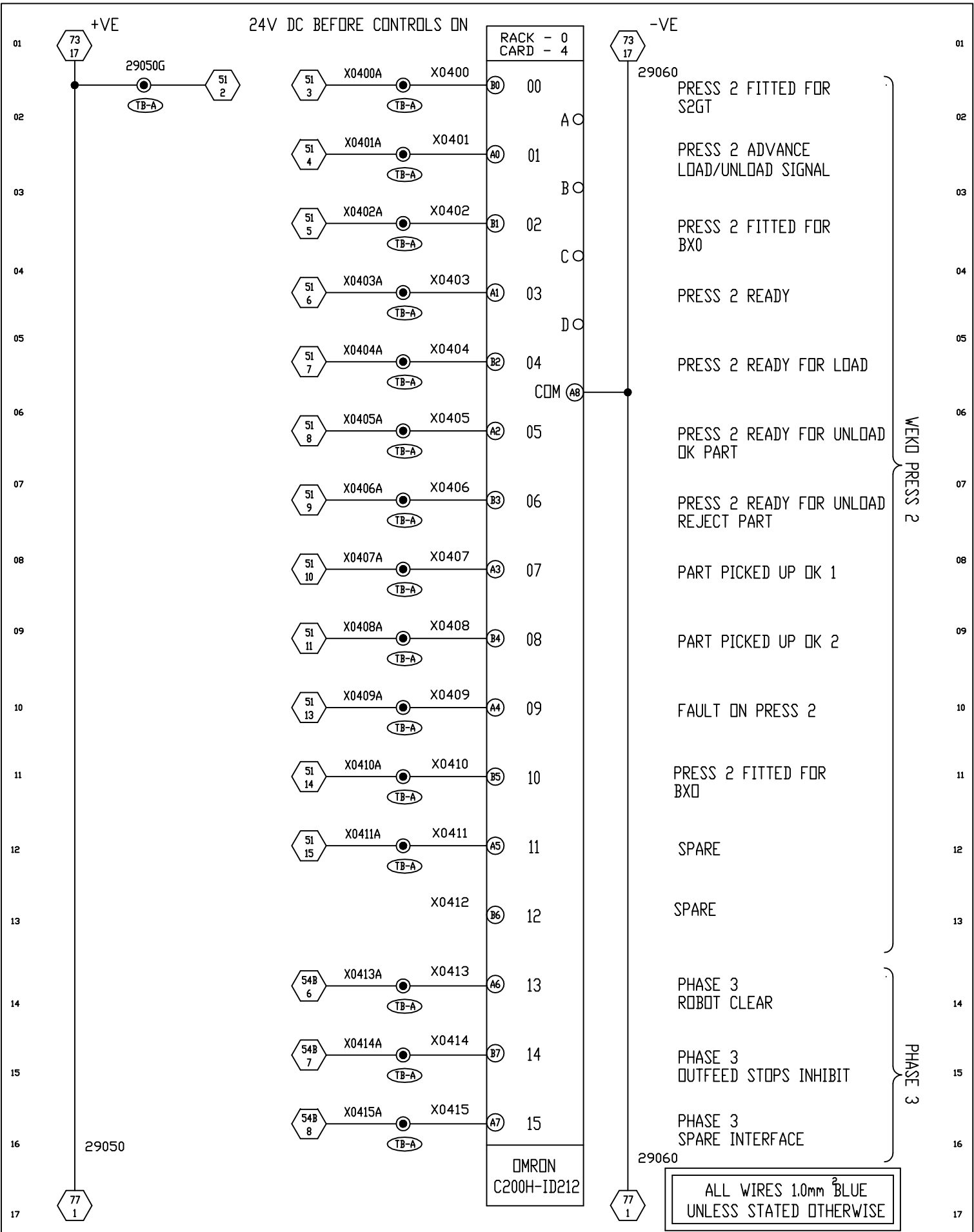


Elect.	●	DESIGN	P.D.							 <p>NISSAN MOTOR MANUFACTURING (UK) LIMITED No4870</p>	DE-FLASHING PRESS GANTRY LOADER		
Hydr.	○	DRAWN	P.D.	DATE	NAME	DRAWING NO		F010-401-AB			TITLE	RACK - 0 INPUT CARD - 2 CABINET	SHEET 72/73
Pneum.	○	CHECKED	G.B.										SHEET
Lubr.	○	APPROVED											
DATE	APRIL 95												

JWF No.F010-4XX-072

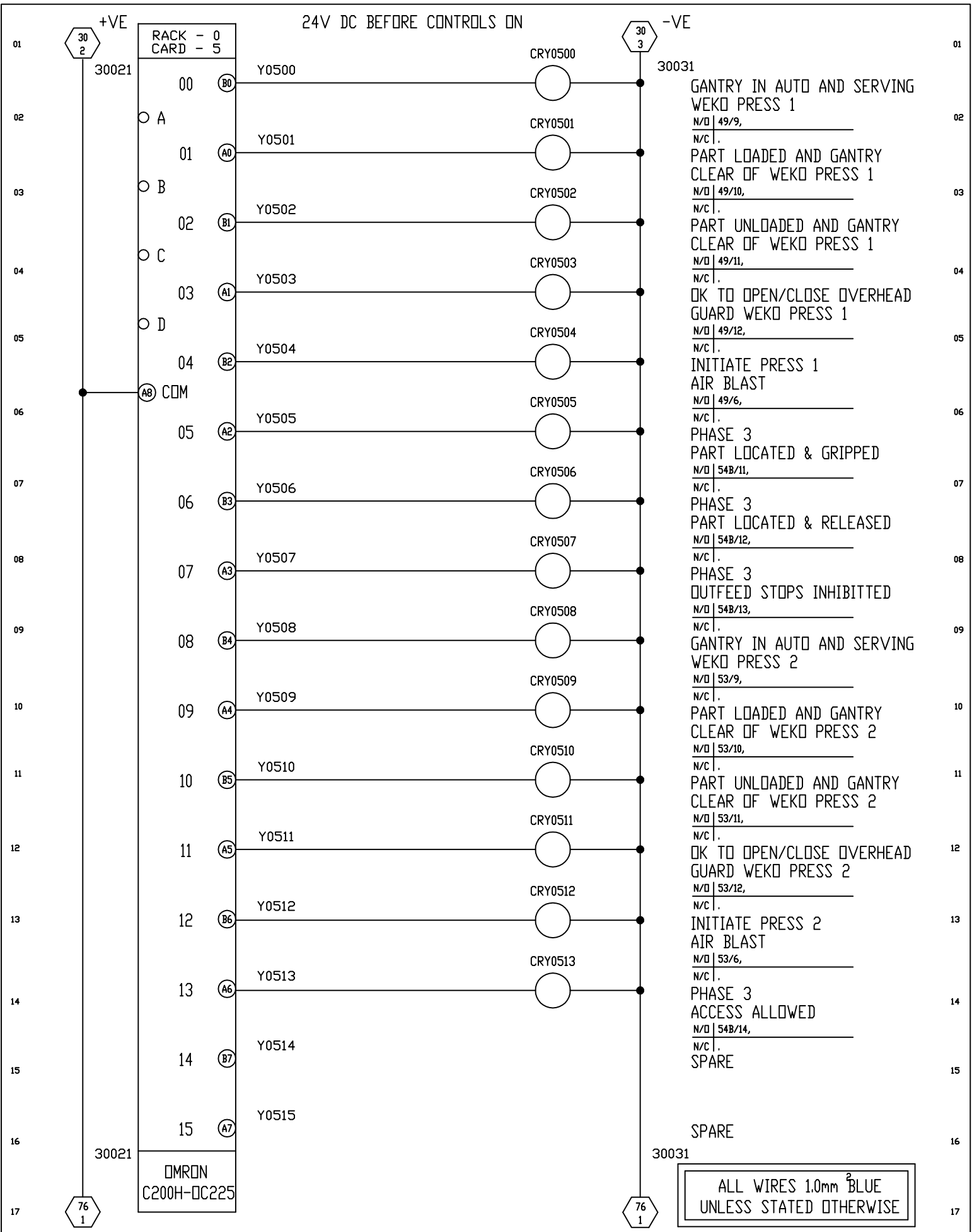


REV./DATE	APRIL 95	19/08/96	JAN 2008	SCALE N.T.S	© THIS DRAWING IS THE PROPERTY OF SILVERTECH (NORTHERN) LTD. IT IS SUPPLIED IN CONFIDENCE & MAY NOT BE COPIED OR EXHIBITED WITHOUT WRITTEN PERMISSION.	CLIENT:- NMUK Ltd.	 TEL. (01524) 846772		
DRAWN	P.D (JWF)	R.MAUN	CONTRON	SIZE A3		TITLE:- DE-FLASHING PRESS GANTRY LOADER RACK-0, INPUT CARD-3 WEKO INTERFACE			
CHECKED	G.B (JWF)			TOLERANCE		DRAWN R.M		CHECKED D.P	APP'D P.A.M
APPROVED				ALL DIMENSIONS IN MILLIMETRES UNLESS OTHERWISE STATED		APPROVED DATE: 19/08/96		DOCUMENT No. 0043/GANTRY/73-74	SHEET 73/74
ECN No.	F010-401-AA	043GAN73.DWG	P0235						



REV./DATE	APRIL 95	19/08/96	JAN 2008	SCALE N.T.S	CLIENT:- NNUK Ltd.	
DRAWN	P.D (JWF)	R.MAUN	CONTRON	SIZE A3	TITLE:	SILVERTECH SYSTEMS DESIGNERS • CONTROL ENGINEERS TEL. (01524) 846772
CHECKED	G.B (JWF)			TOLERANCE	DE-FLASHING PRESS GANTRY LOADER RACK-0, INPUT CARD-4 WEKO INTERFACE	
APPROVED				ALL DIMENSIONS IN MILLIMETRES UNLESS OTHERWISE STATED	DRAWN R.M	DOCUMENT No. 0043/GANTRY/74-75
ECN No.	F010-401-AA	043GAN74.DWG	P0235		CHECKED D.P	SHEET 74/75
					APP'D P.A.M	
					APPROVED DATE: 19/08/96	

CONTRON DRAWING REF: P0235-DRG-011/004



GANTRY IN AUTO AND SERVING WEKO PRESS 1
N/D | 49/9,
N/C |.

PART LOADED AND GANTRY CLEAR OF WEKO PRESS 1
N/D | 49/10,
N/C |.

PART UNLOADED AND GANTRY CLEAR OF WEKO PRESS 1
N/D | 49/11,
N/C |.

OK TO OPEN/CLOSE OVERHEAD GUARD WEKO PRESS 1
N/D | 49/12,
N/C |.

INITIATE PRESS 1 AIR BLAST
N/D | 49/6,
N/C |.

PHASE 3 PART LOCATED & GRIPPED
N/D | 54B/11,
N/C |.

PHASE 3 PART LOCATED & RELEASED
N/D | 54B/12,
N/C |.

PHASE 3 OUTFEED STOPS INHIBITED
N/D | 54B/13,
N/C |.

GANTRY IN AUTO AND SERVING WEKO PRESS 2
N/D | 53/9,
N/C |.

PART LOADED AND GANTRY CLEAR OF WEKO PRESS 2
N/D | 53/10,
N/C |.

PART UNLOADED AND GANTRY CLEAR OF WEKO PRESS 2
N/D | 53/11,
N/C |.

OK TO OPEN/CLOSE OVERHEAD GUARD WEKO PRESS 2
N/D | 53/12,
N/C |.

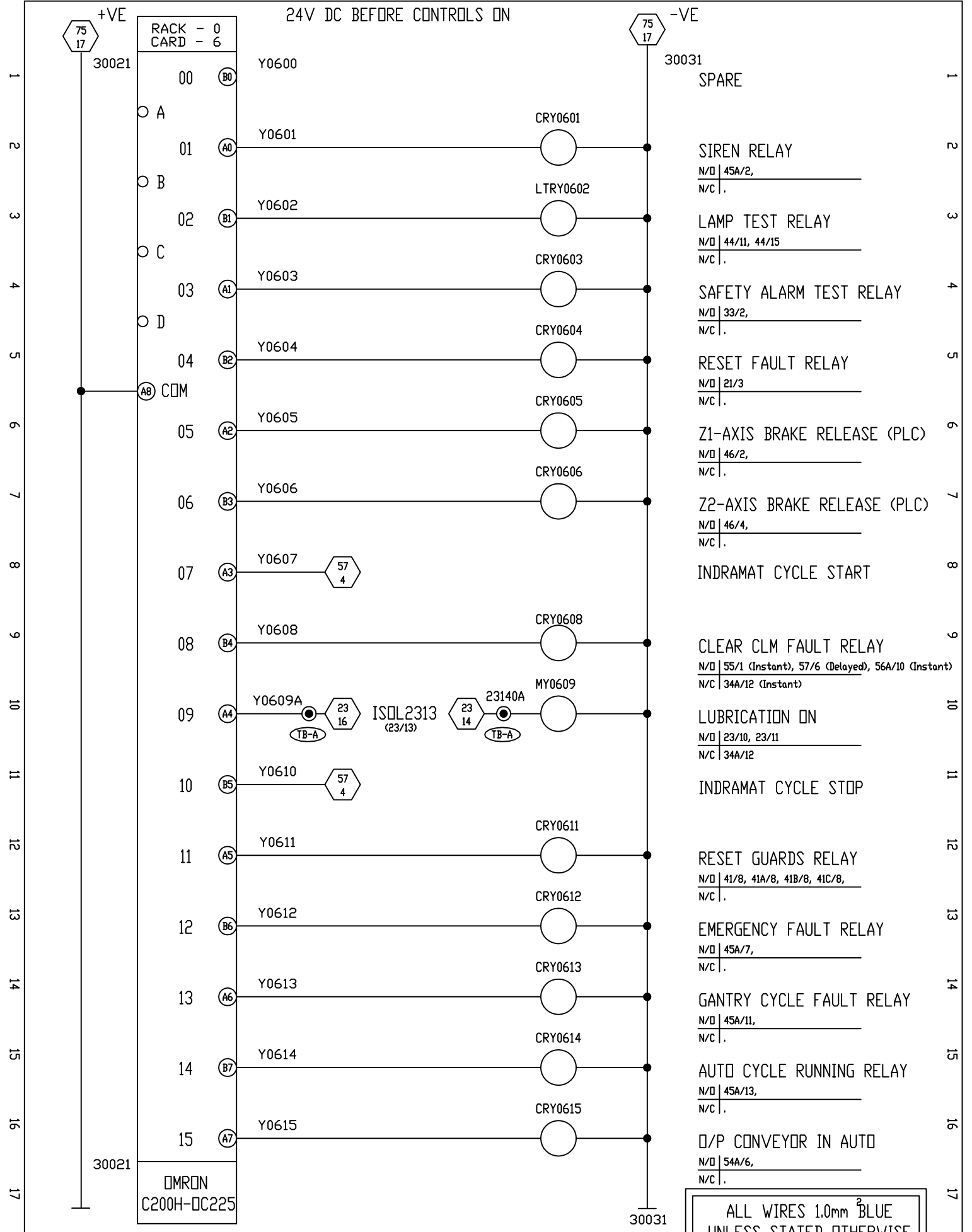
INITIATE PRESS 2 AIR BLAST
N/D | 53/6,
N/C |.

PHASE 3 ACCESS ALLOWED
N/D | 54B/14,
N/C |.

SPARE

SPARE

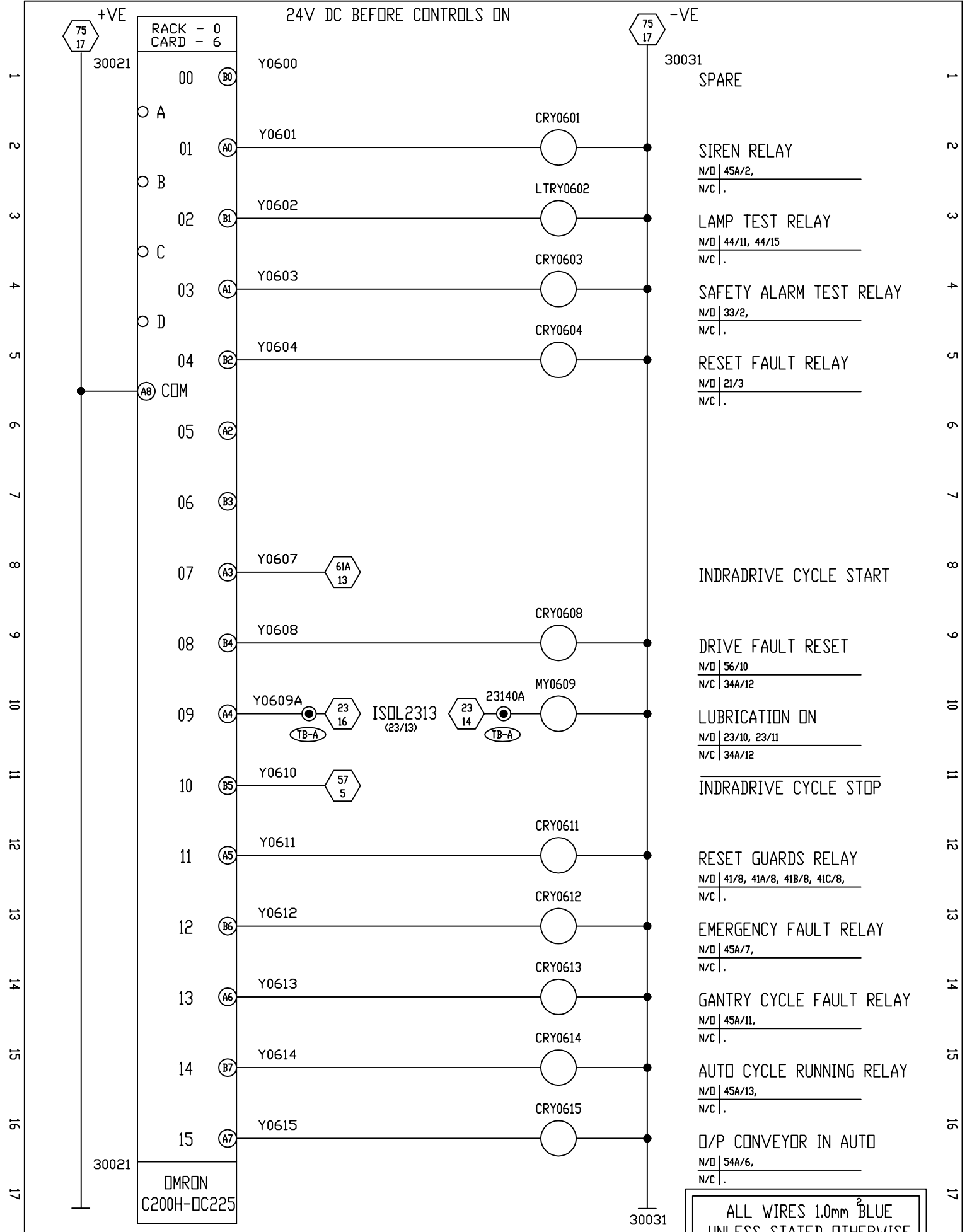
REV./DATE	APRIL 95	19/08/96	SCALE	N.T.S	CLIENT:- NMUK.Ltd TITLE:- DE-FLASHING PRESS GANTRY LOADER RACK-0, OUTPUT CARD-5 CABINET	SILVERTECH SYSTEMS DESIGNERS • CONTROL ENGINEERS TEL. (01524) 846772	DOCUMENT No. 0043/GANTRY/75-76	SHEET 75/76
DRAWN	P.D (JWF)	R.MAUN	SIZE	A3				
CHECKED	G.B (JWF)		TOLERANCE					
APPROVED			ALL DIMENSIONS IN MILLIMETRES UNLESS OTHERWISE STATED					
ECN No.	F010-401-AB	043GAN75.DWG	© THIS DRAWING IS THE PROPERTY OF SILVERTECH (NORTHERN) LTD. IT IS SUPPLIED IN CONFIDENCE & MAY NOT BE COPIED OR EXHIBITED WITHOUT WRITTEN PERMISSION.		DRAWN R.M CHECKED D.P APP'D P.A.M APPROVED DATE: 19/08/96			



Elect.	<input checked="" type="radio"/>	DESIGN	P.D.							<p>NISSAN MOTOR MANUFACTURING (UK) LIMITED No4870</p>	DE-FLASHING PRESS GANTRY LOADER	SHEET	76/77
Hydr.	<input type="radio"/>	DRAWN	P.D.	AUG 09	DATE	RNB	NAME	DRAWING NO			TITLE	SHEET	
Pneum.	<input type="radio"/>	CHECKED	G.B.	F010-401-AC		RACK - 0 OUTPUT CARD - 6 CABINET		SHEET					
Lubr.	<input type="radio"/>	APPROVED						SHEET					
DATE	APRIL 95												

JWF No.F010-4XX-076

24V DC BEFORE CONTROLS ON



RACK - 0
CARD - 6

30021

00 (B0) Y0600

A

01 (A0) Y0601

B

02 (B1) Y0602

C

03 (A1) Y0603

D

04 (B2) Y0604

COM (A8)

05 (A2)

06 (B3)

07 (A3) Y0607 (61A/13)

08 (B4) Y0608

09 (A4) Y0609A (23/16) TB-A ISOL 2313 (23/13) 23140A (23/14) TB-A MY0609

10 (B5) Y0610 (57/5)

11 (A5) Y0611

12 (B6) Y0612

13 (A6) Y0613

14 (B7) Y0614

15 (A7) Y0615

30021

OMRON
C200H-DC225

30031

SPARE

SIREN RELAY
N/O | 45A/2,
N/C | .

LAMP TEST RELAY
N/O | 44/11, 44/15
N/C | .

SAFETY ALARM TEST RELAY
N/O | 33/2,
N/C | .

RESET FAULT RELAY
N/O | 21/3
N/C | .

INDRADRIIVE CYCLE START

DRIVE FAULT RESET
N/O | 56/10
N/C | 34A/12

LUBRICATION ON
N/O | 23/10, 23/11
N/C | 34A/12

INDRADRIIVE CYCLE STOP

RESET GUARDS RELAY
N/O | 41/8, 41A/8, 41B/8, 41C/8,
N/C | .

EMERGENCY FAULT RELAY
N/O | 45A/7,
N/C | .

GANTRY CYCLE FAULT RELAY
N/O | 45A/11,
N/C | .

AUTO CYCLE RUNNING RELAY
N/O | 45A/13,
N/C | .

O/P CONVEYOR IN AUTO
N/O | 54A/6,
N/C | .

ALL WIRES 1.0mm² BLUE
UNLESS STATED OTHERWISE

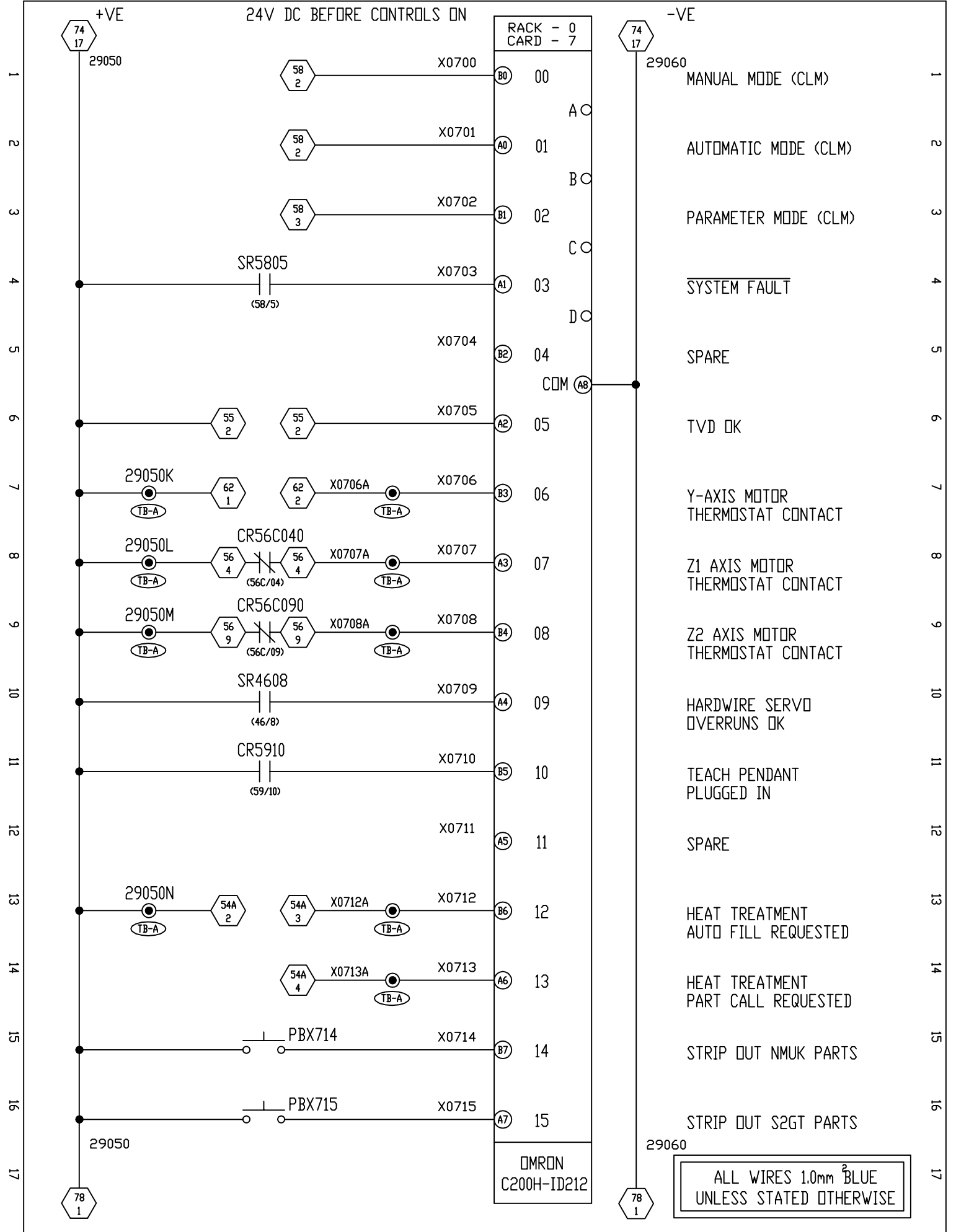
Elect. ●
Hydr. ○
Pneum. ○
Lubr. ○
DATE
APRIL 95

DESIGN	P.D.													
DRAWN	P.D.													
CHECKED	G.B.													
APPROVED														
DRAWING NO	F010-401-AC													

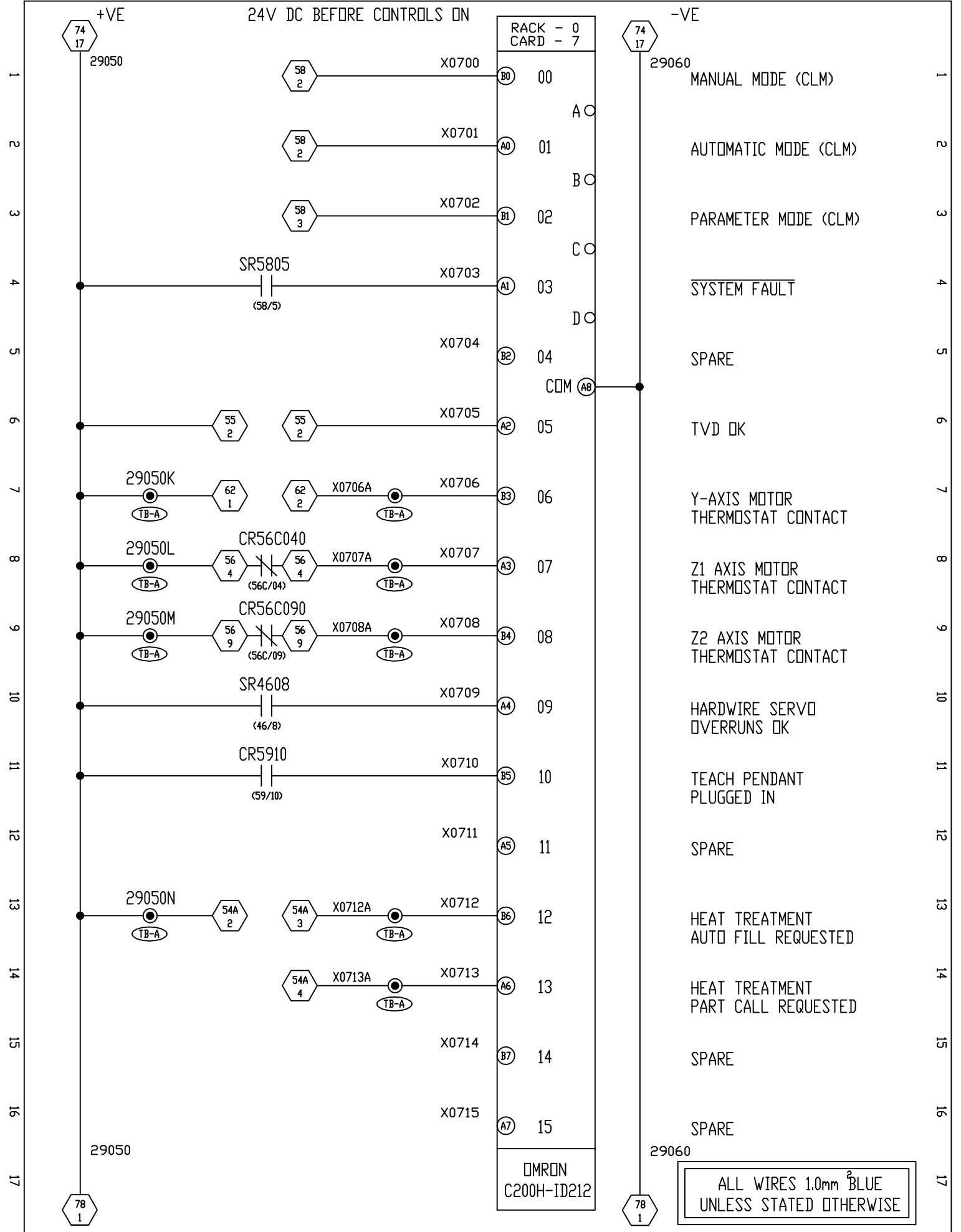
FROEHLICH
FELSO MAT
Automation & Engineering

NISSAN MOTOR MANUFACTURING
(UK) LIMITED No4870

DE-FLASHING PRESS GANTRY LOADER	
TITLE	RACK - 0 OUTPUT CARD - 6 CABINET
SHEET	76/77
SHEET	.



Elect. <input checked="" type="checkbox"/>	DESIGN P.D.	<table border="1" style="width: 100%; border-collapse: collapse;"> <tr><td style="width: 20%;">DATE</td><td style="width: 20%;">NAME</td><td style="width: 20%;">CHANGES</td></tr> <tr><td style="width: 20%;">JAN 08</td><td style="width: 20%;">CONTIN</td><td style="width: 20%;"></td></tr> </table>	DATE	NAME	CHANGES	JAN 08	CONTIN			DE-FLASHING PRESS GANTRY LOADER	
DATE	NAME		CHANGES								
JAN 08	CONTIN										
Hydr. <input type="checkbox"/>	DRAWN P.D.		DRAWING No F010-401-AE	TITLE RACK - 0 INPUT CARD - 7 INDRAMAT INTERFACE							
Pneum. <input type="checkbox"/>	CHECKED P.D.	SHEET 77/78									
Lubr. <input type="checkbox"/>	APPROVED G.B.	SHEET 									
DATE APRIL 95		NISSAN MOTOR MANUFACTURING (UK) LIMITED No4870									



Elect.	●
Hydr.	○
Pneum.	○
Lubr.	○
DATE	APRIL 95

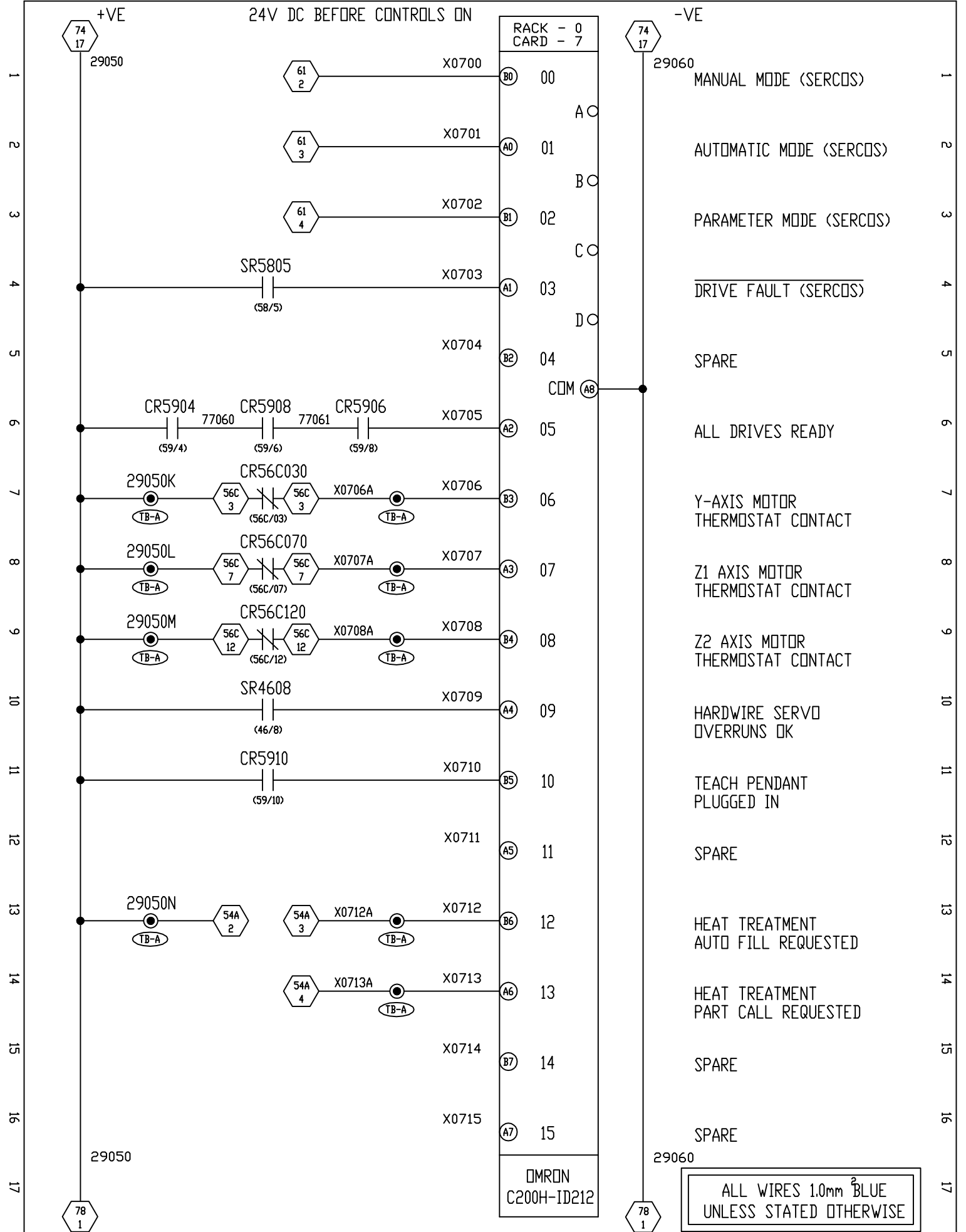
DESIGN	P.D.									DATE	
DRAWN	P.D.									NAME	
CHECKED	G.B.	DRAWING NO									
APPROVED		F010-401-AE									

FROEHLICH
FELSO MAT
Automation & Engineering

NISSAN MOTOR MANUFACTURING
(UK) LIMITED No4870

DE-FLASHING PRESS GANTRY LOADER	
TITLE	RACK - 0 INPUT CARD - 7 INDRAMAT INTERFACE
SHEET	77/78
SHEET	

JWF No.F010-4XX-077



Elect. ●
Hydr. ○
Pneum. ○
Lubr. ○
DATE APRIL 95

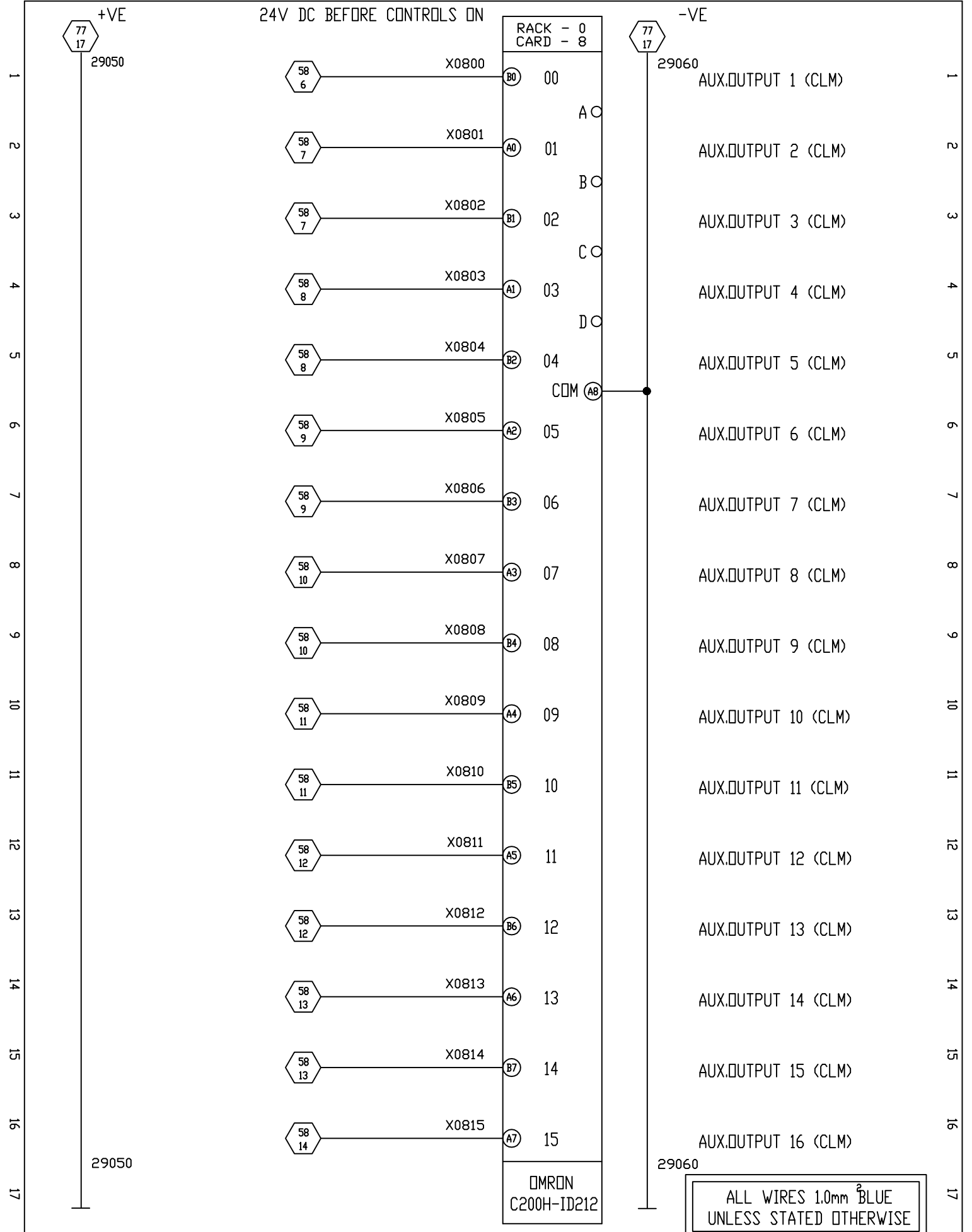
DESIGN	P.D.	DATE	JUL 12
DRAWN	P.D.	NAME	IAV
CHECKED	G.B.	CHANGES	
APPROVED		DRAWING NO	F010-401-AE

FROEHLICH
FELSONMAT
Automation & Engineering

NISSAN MOTOR MANUFACTURING (UK) LIMITED No4870

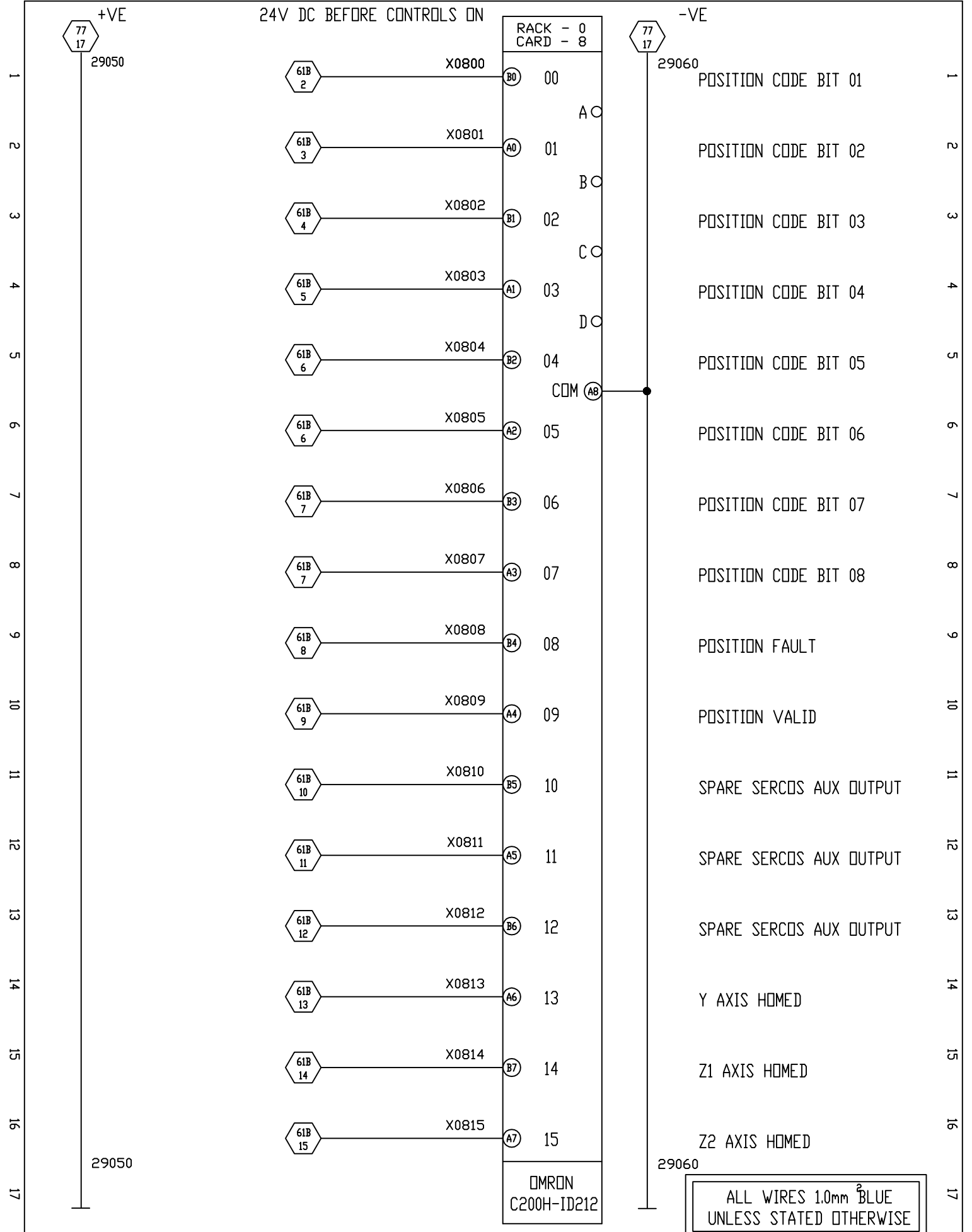
DE-FLASHING PRESS GANTRY LOADER	
TITLE	RACK - 0 INPUT CARD - 7 INDRAMAT INTERFACE
SHEET	77/78
SHEET	

JWF No.F010-4XX-077



Elect. <input checked="" type="radio"/>	DESIGN P.D.							FROEHLICH FELSO MAT Automation & Engineering NISSAN MOTOR MANUFACTURING (UK) LIMITED No4870	DE-FLASHING PRESS GANTRY LOADER	SHEET 78/79	
Hydr. <input type="radio"/>	DRAWN P.D.								TITLE		
Pneum. <input type="radio"/>	CHECKED P.D.								RACK - 0 INPUT CARD - 8 INDRAMAT INTERFACE		
Lubr. <input type="radio"/>	APPROVED G.B.	DRAWING No F010-401-AA									
DATE APRIL 95											

JWF No.F010-4XX-078



Elect. <input checked="" type="radio"/>	DESIGN P.D.					FROEHLICH FELSO MAT Automation & Engineering NISSAN MOTOR MANUFACTURING (UK) LIMITED No4870	DE-FLASHING PRESS GANTRY LOADER	SHEET 78/79
Hydr. <input type="radio"/>	DRAWN P.D.						TITLE RACK - 0 INPUT CARD - 8 INDRADRIVE INTERFACE	SHEET
Pneum. <input type="radio"/>	CHECKED G.B.							
Lubr. <input type="radio"/>	APPROVED	DRAWING No F010-401-AA						
DATE APRIL 95								

JWF No.F010-4XX-078

1
2
3
4
5
6
7
8
9
10
11
12
13
14
15
16
17

1
2
3
4
5
6
7
8
9
10
11
12
13
14
15
16
17

REMOTE I/O INTERFACE

RM201

RACK - 0


SLOT - 9

Elect.	<input checked="" type="radio"/>
Hydr.	<input type="radio"/>
Pneum.	<input type="radio"/>
Lubr.	<input type="radio"/>
DATE	APRIL 95

DESIGN	P.D.
DRAWN	P.D.
CHECKED	G.B.
APPROVED	

CHANGES	
DATE	NAME

DRAWING No
F010-401-AA

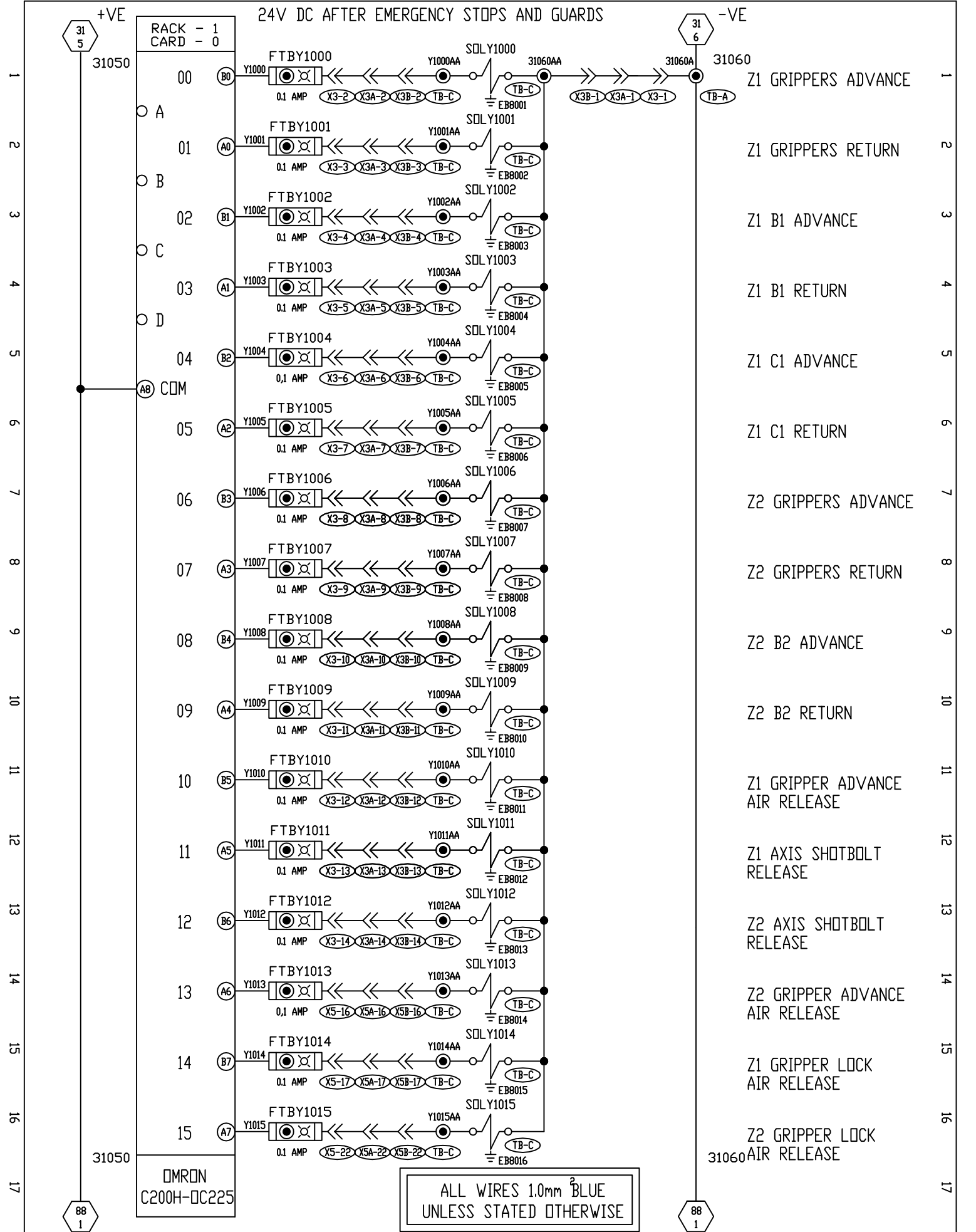


FROEHLICH
FELSOMAT
Automation & Engineering

NISSAN MOTOR MANUFACTURING
(UK) LIMITED No4870

DE-FLASHING PRESS GANTRY LOADER	
TITLE	RACK - 0 CARD - 9 CABINET
SHEET	79/80
SHEET	.

JWF No. F010-4XX-079



Elect.	●
Hydr.	○
Pneum.	○
Lubr.	○
DATE	APRIL 95

DESIGN	P.D.									DATE	
DRAWN										NAME	
CHECKED	P.D.									CHANGES	
APPROVED	G.B.										
DRAWING NO		F010-401-AB									

FROEHLICH
FELSOMAT
 Automation & Engineering
 NISSAN MOTOR MANUFACTURING
 (UK) LIMITED No4870

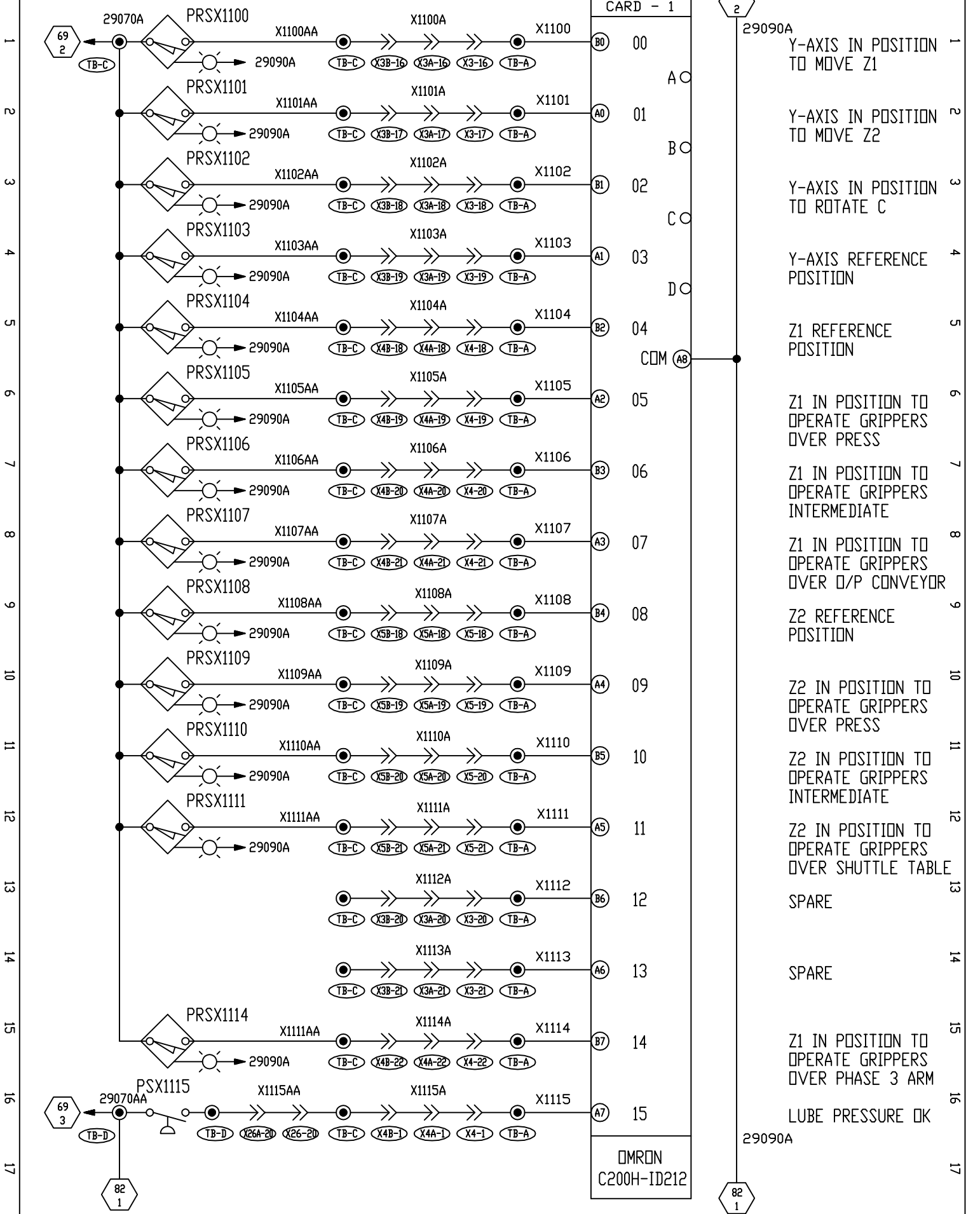
DE-FLASHING PRESS GANTRY LOADER	
TITLE	RACK - 1 OUTPUT CARD - 0 CABINET
SHEET	80/81
SHEET	

JWF No. F010-4XX-080

+VE 24V DC BEFORE CONTROLS ON

-VE

RACK - 1
CARD - 1



Elect.	●
Hydr.	○
Pneum.	○
Lubr.	○
DATE	APRIL 95

DESIGN	P.D.									
DRAWN										
CHECKED	P.D.									
APPROVED	G.B.									
DRAWING NO	F010-401-AC									

FROEHLICH
FELSOMAT
Automation & Engineering

NISSAN MOTOR MANUFACTURING
(UK) LIMITED No4870

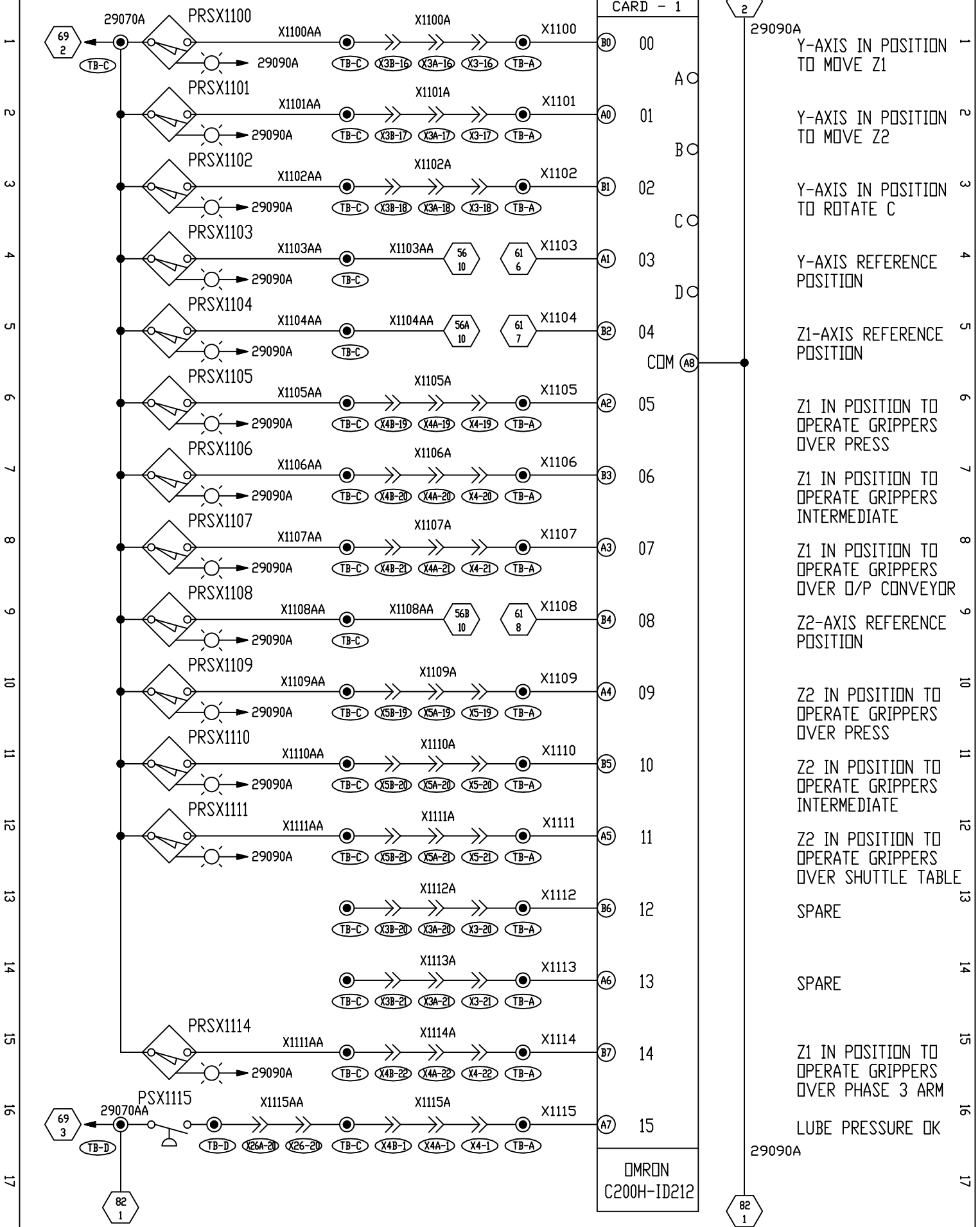
DE-FLASHING PRESS GANTRY LOADER	
TITLE	RACK - 1 INPUT CARD - 1 CABINET
SHEET	81/82
SHEET	

JWF No F010-4XX-081

+VE

24V DC BEFORE CONTROLS ON

-VE



RACK - 1	CARD - 1
00	B0
01	A0
02	B1
03	A1
04	B2
05	A2
06	B3
07	A3
08	B4
09	A4
10	B5
11	A5
12	B6
13	A6
14	B7
15	A7
OMRON C200H-ID212	

Y-AXIS IN POSITION TO MOVE Z1

Y-AXIS IN POSITION TO MOVE Z2

Y-AXIS IN POSITION TO ROTATE C

Y-AXIS REFERENCE POSITION

Z1-AXIS REFERENCE POSITION

Z1 IN POSITION TO OPERATE GRIPPERS OVER PRESS

Z1 IN POSITION TO OPERATE GRIPPERS INTERMEDIATE

Z1 IN POSITION TO OPERATE GRIPPERS OVER O/P CONVEYOR

Z2-AXIS REFERENCE POSITION

Z2 IN POSITION TO OPERATE GRIPPERS OVER PRESS

Z2 IN POSITION TO OPERATE GRIPPERS INTERMEDIATE

Z2 IN POSITION TO OPERATE GRIPPERS OVER SHUTTLE TABLE

SPARE

SPARE

Z1 IN POSITION TO OPERATE GRIPPERS OVER PHASE 3 ARM

LUBE PRESSURE OK

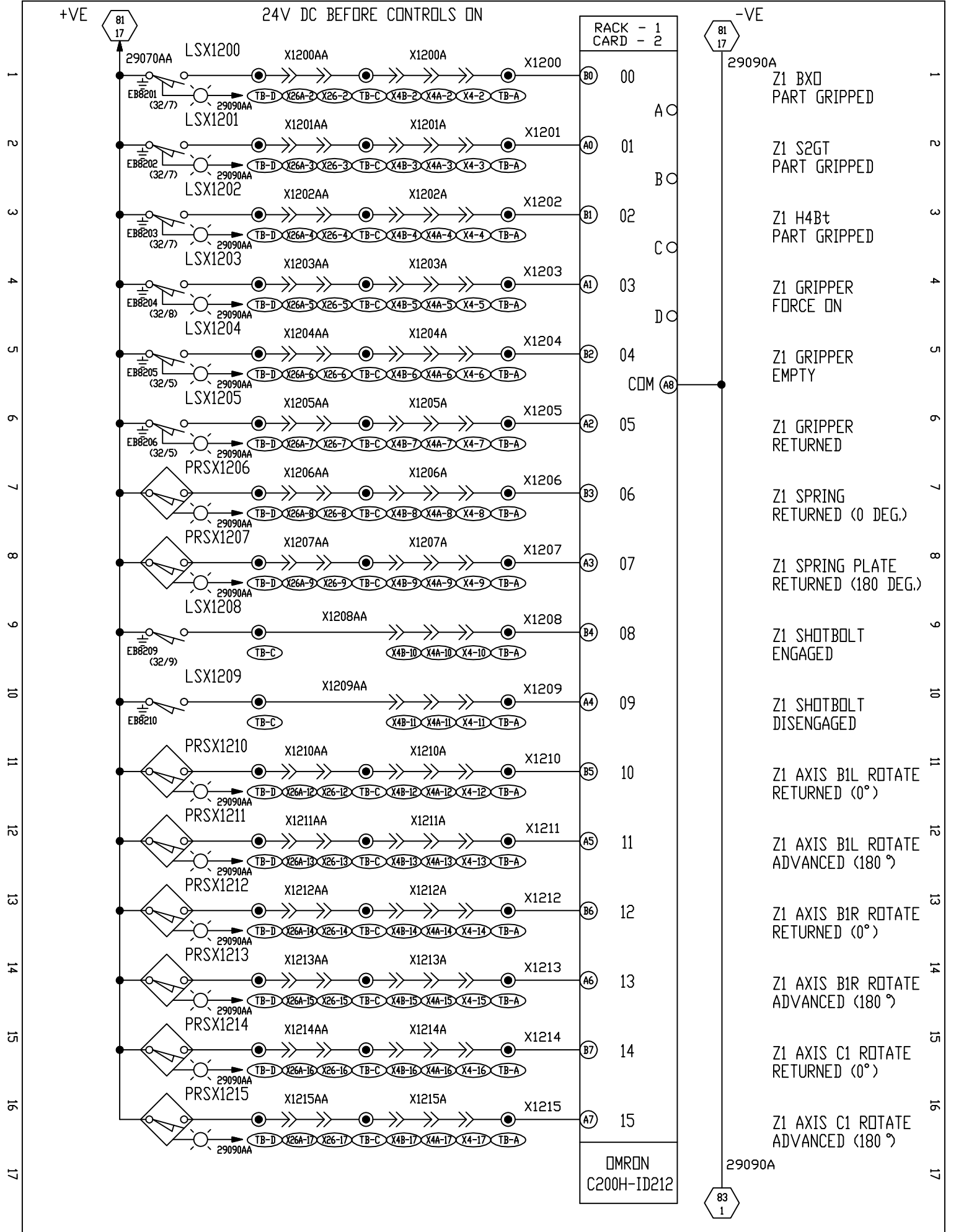
Elect.	●	DESIGN	P.D.													
Hydr.	○	DRAWN														
Pneum.	○	CHECKED	P.D.													
Lubr.	○	APPROVED	G.B.													
DATE	APRIL 95	DRAWING No	F010-401-AC													

FROEHLICH
FELSO-MAT
Automation & Engineering

NISSAN MOTOR MANUFACTURING (UK) LIMITED No4870

DE-FLASHING PRESS GANTRY LOADER	
TITLE	RACK - 1 INPUT CARD - 1 CABINET
SHEET	81/82
SHEET	

JWF No F010-4XX-081



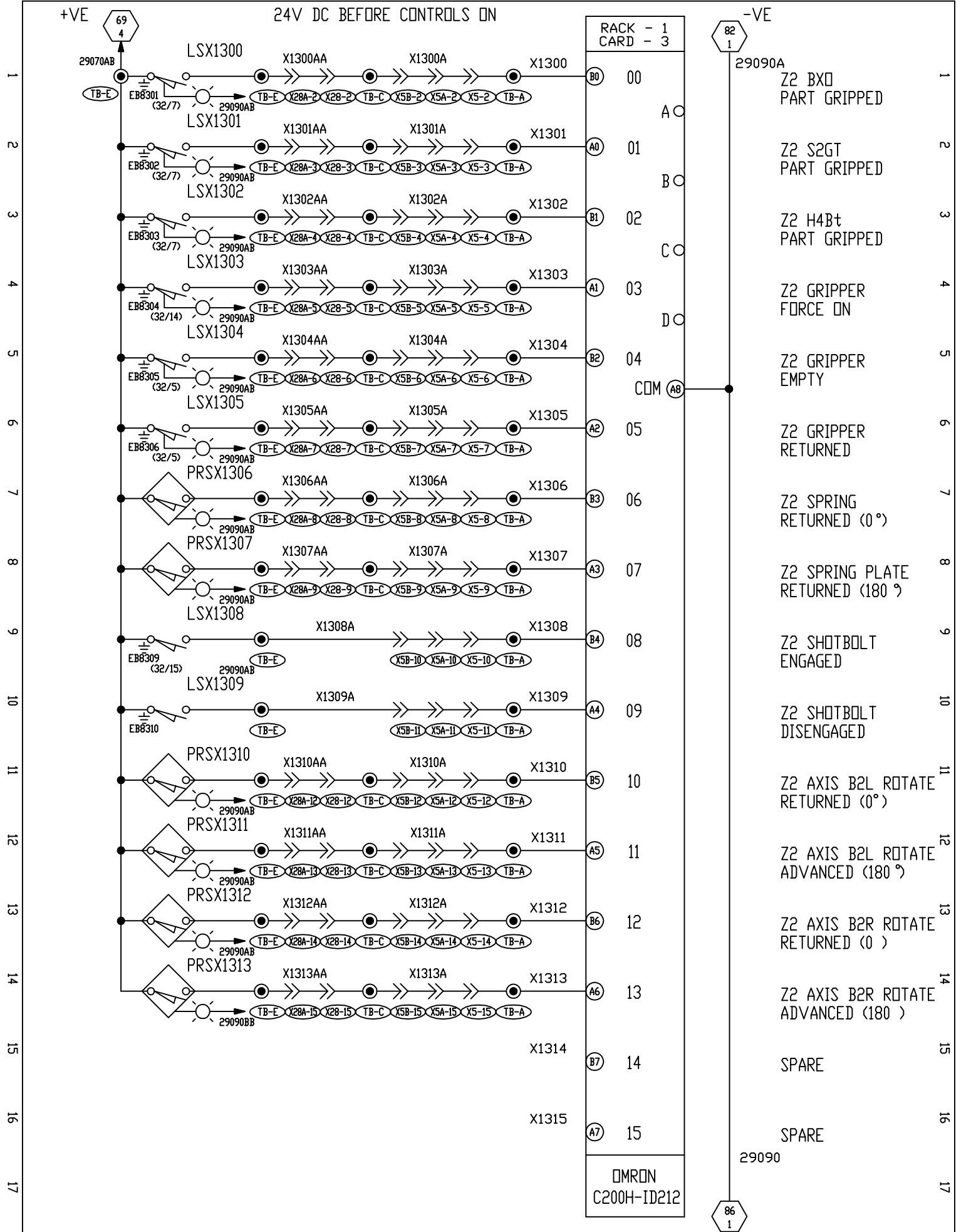
Elect.
Hydr.
Pneum.
Lubr.
DATE
APRIL 95

DESIGN P.D.	DRAWING No F010-401-AB
DRAWN P.D.	
CHECKED G.B.	
APPROVED	
DATE APRIL 95	

Automation & Engineering

NISSAN MOTOR MANUFACTURING
(UK) LIMITED No4870

DE-FLASHING PRESS GANTRY LOADER	
TITLE RACK - 1 INPUT CARD - 2 CABINET	SHEET 82/83
SHEET	



Elect.

Hydr.

Pneum.

Lubr.

DATE
APRIL 95

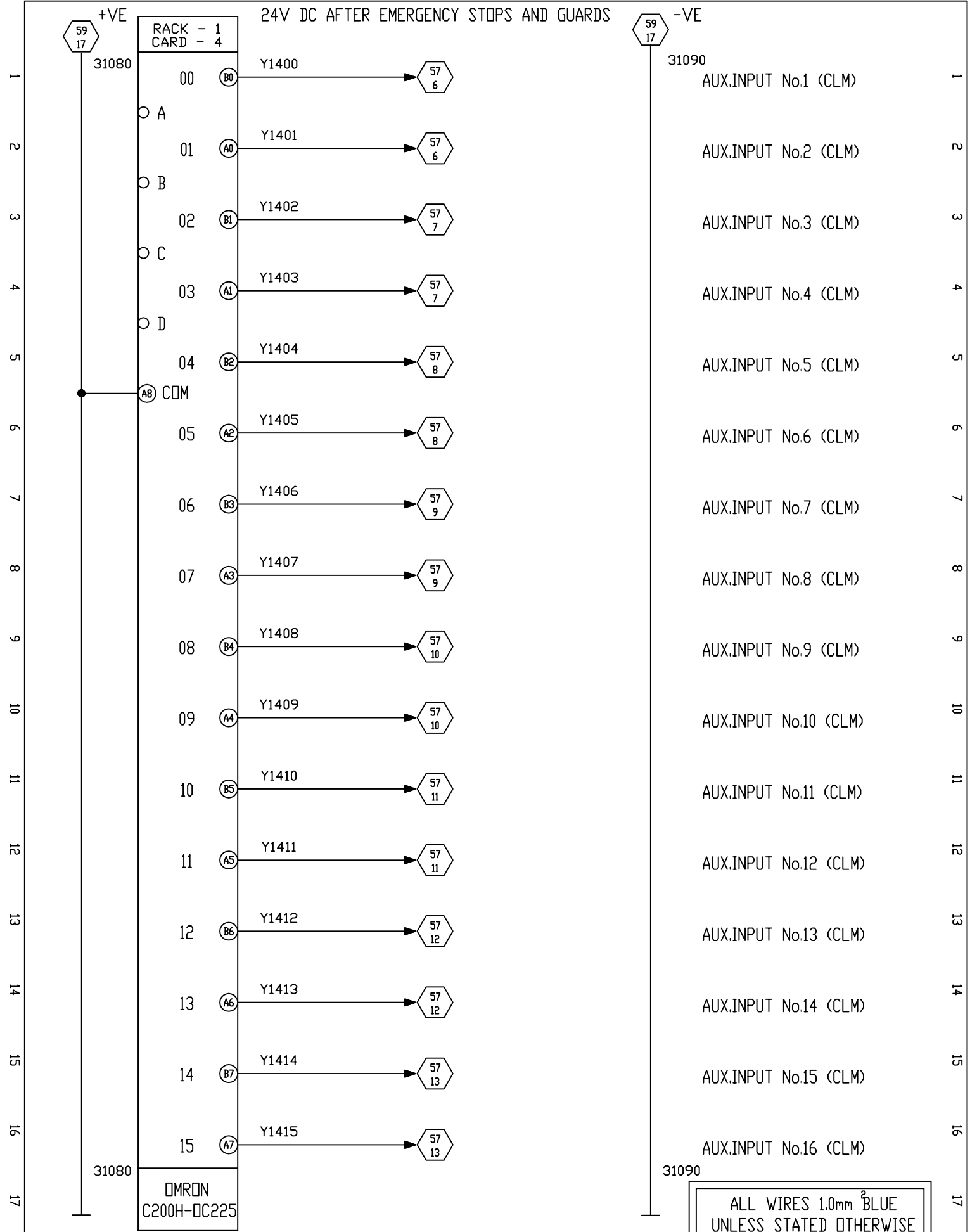
DESIGN P.D.																				
DRAWN P.D.																				
CHECKED G.B.																				
APPROVED	F010-401-AB																			

FROEHLICH
FELSOMAT
Automation & Engineering

NISSAN MOTOR MANUFACTURING
(UK) LIMITED No4870

DE-FLASHING PRESS GANTRY LOADER	
TITLE RACK - 1 INPUT CARD - 3 CABINET	SHEET 83/84
SHEET	

24V DC AFTER EMERGENCY STOPS AND GUARDS



OMRON
C200H-DC225

ALL WIRES 1.0mm² BLUE
UNLESS STATED OTHERWISE

Elect.	<input checked="" type="radio"/>
Hydr.	<input type="radio"/>
Pneum.	<input type="radio"/>
Lubr.	<input type="radio"/>
DATE	APRIL 95

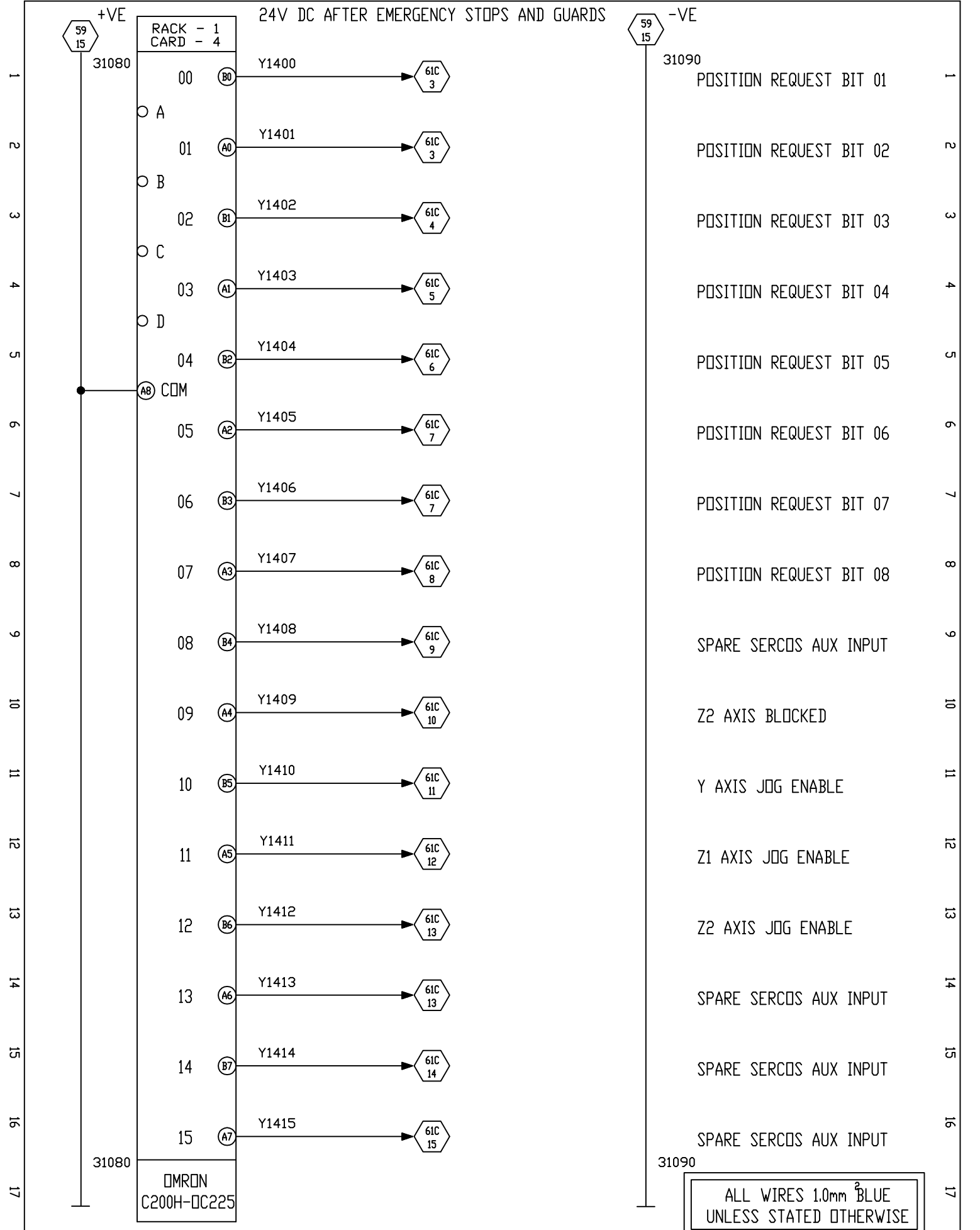
DESIGN	P.D.									DATE
DRAWN	P.D.									NAME
CHECKED	G.B.	DRAWING NO								
APPROVED		F010-401-AA								

FROEHLICH
FELSO MAT
Automation & Engineering

NISSAN MOTOR MANUFACTURING
(UK) LIMITED No4870

DE-FLASHING PRESS GANTRY LOADER	
TITLE	RACK - 1 OUTPUT CARD - 4 CABINET
SHEET	84/85
SHEET	

JWF No.F010-4XX-084



Elect.

Hydr.

Pneum.

Lubr.

DATE
APRIL 95

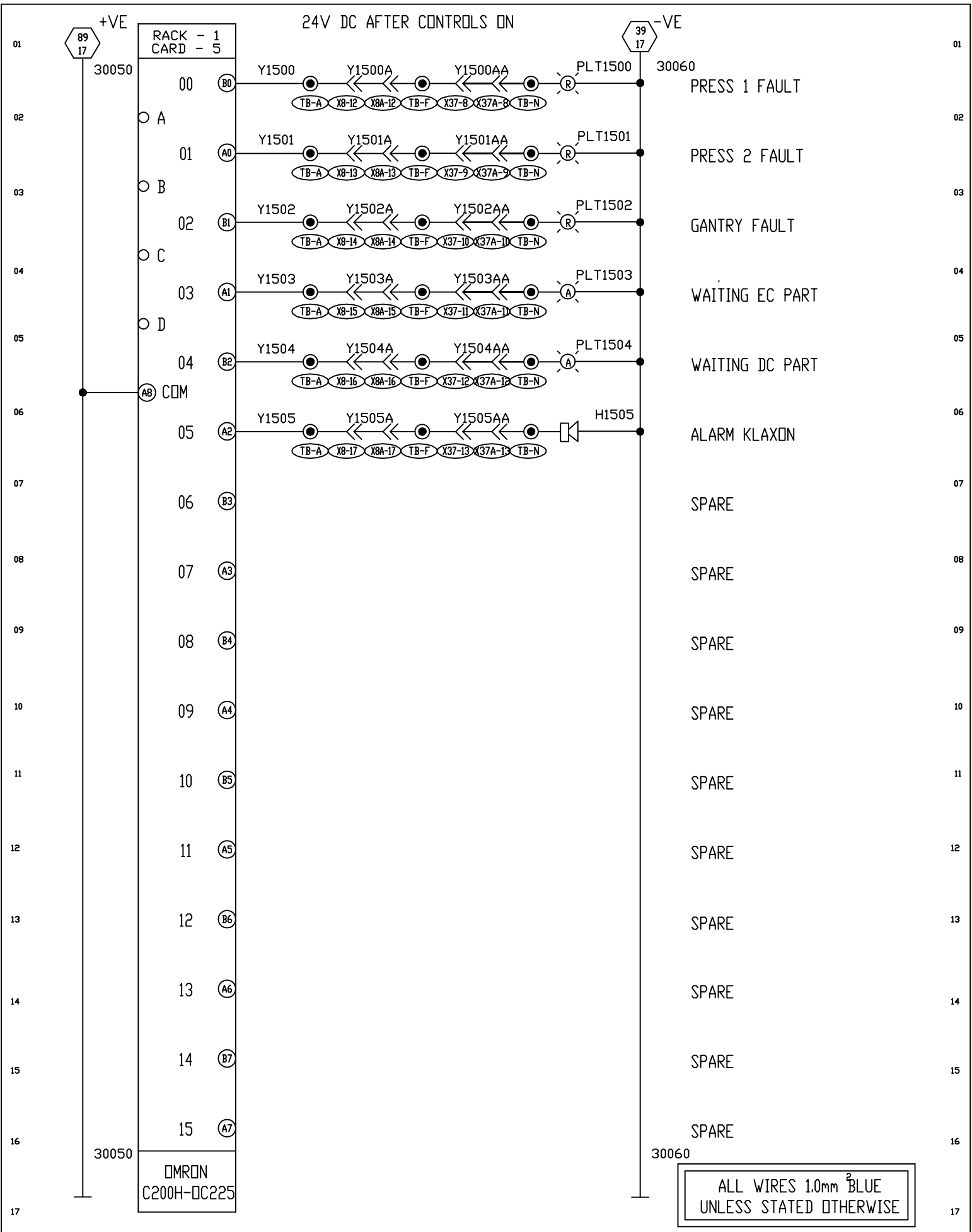
DESIGN	P.D.																			
DRAWN	P.D.																			
CHECKED	G.B.																			
APPROVED		DRAWING No F010-401-AA																		

FROEHLICH
FELSOMAT
Automation & Engineering

NISSAN MOTOR MANUFACTURING
(UK) LIMITED No4870

DE-FLASHING PRESS GANTRY LOADER	
TITLE	SHEET
RACK - 1 OUTPUT CARD - 4 CABINET	84/85
	SHEET
	.

JWF No F010-4XX-084

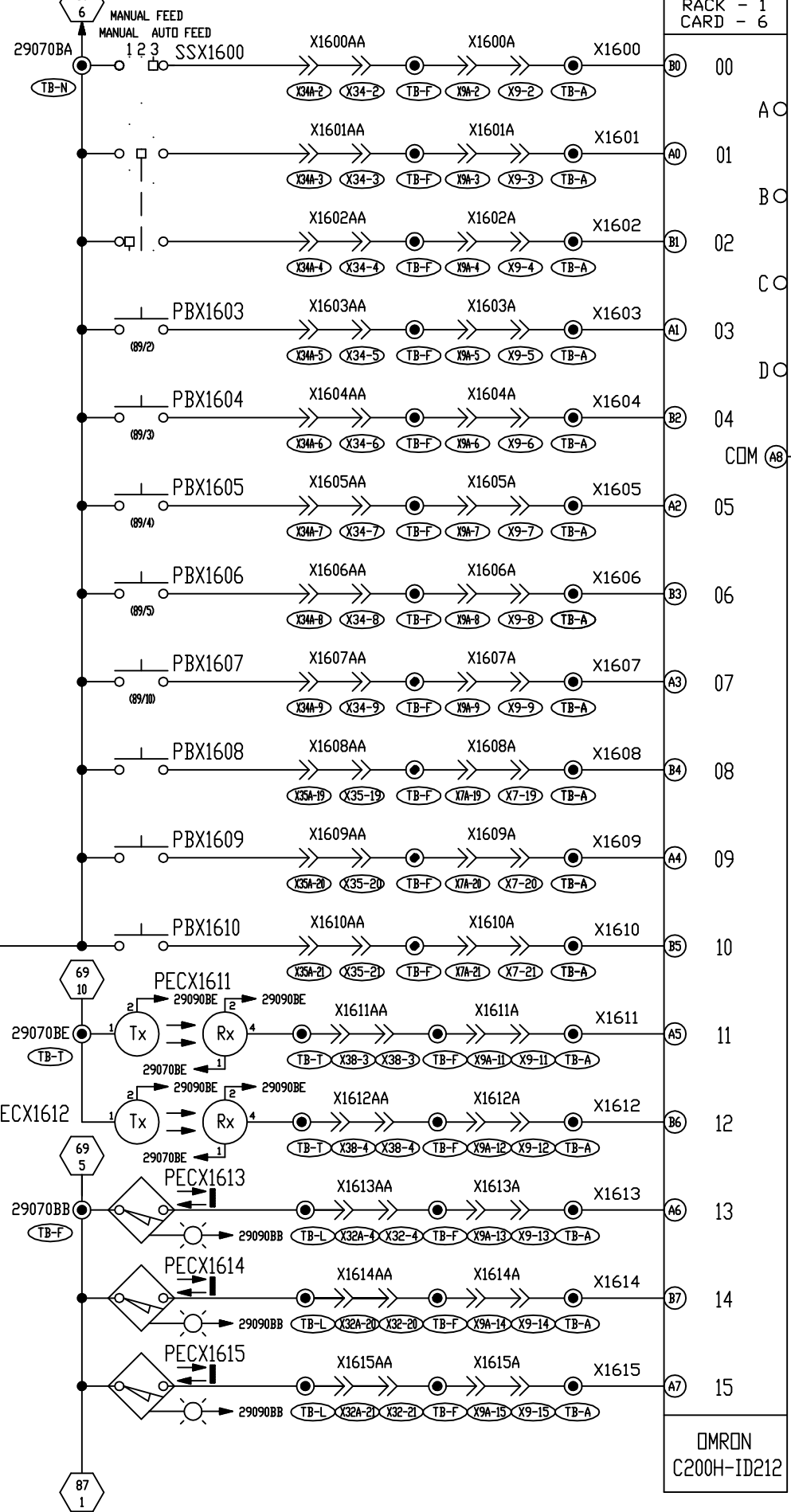


REV./DATE	APRIL 95	19/08/96	SCALE	N.T.S	© THIS DRAWING IS THE PROPERTY OF SILVERTECH (NORTHERN) LTD. IT IS SUPPLIED IN CONFIDENCE & MAY NOT BE COPIED OR EXHIBITED WITHOUT WRITTEN PERMISSION.	CLIENT:- NMUK.Ltd	SILVERTECH SYSTEMS DESIGNERS • CONTROL ENGINEERS TEL. (01524) 846772		
DRAWN	P.D (JWF)	R.MAUN	SIZE	A3		TITLE:- DE-FLASHING PRESS GANTRY LOADER RACK-1, OUTPUT CARD-5			
CHECKED	G.B (JWF)		TOLERANCE			DRAWN R.M		CHECKED D.P	APP'D P.A.M
APPROVED			ALL DIMENSIONS IN MILLIMETRES UNLESS OTHERWISE STATED			APPROVED DATE: 19/08/96		DOCUMENT No. 0043/GANTRY/85-86	SHEET 85/86
ECN No.	F010-401-AA	043GAN85.DWG							

24V DC BEFORE CONTROLS ON

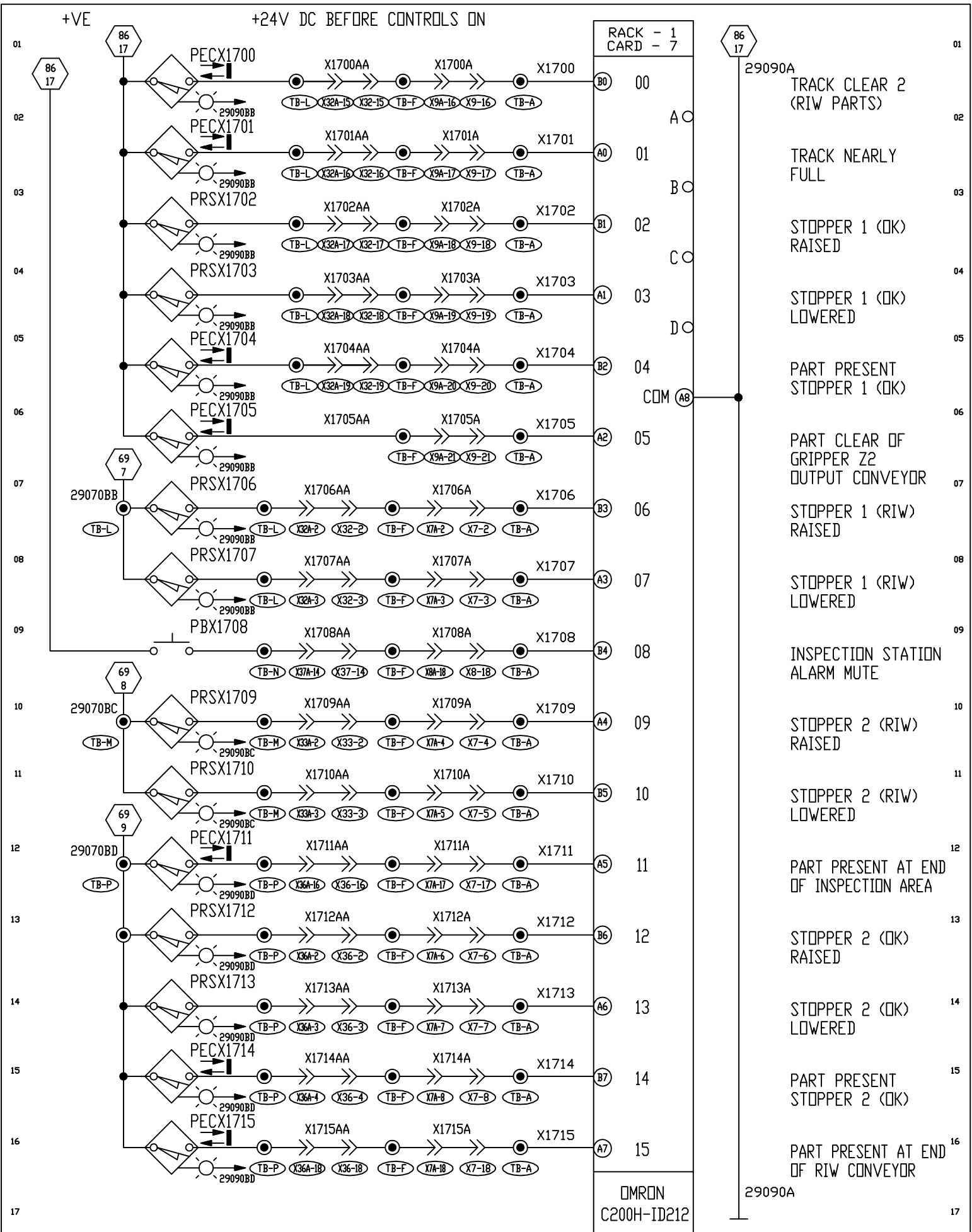
+VE

-VE

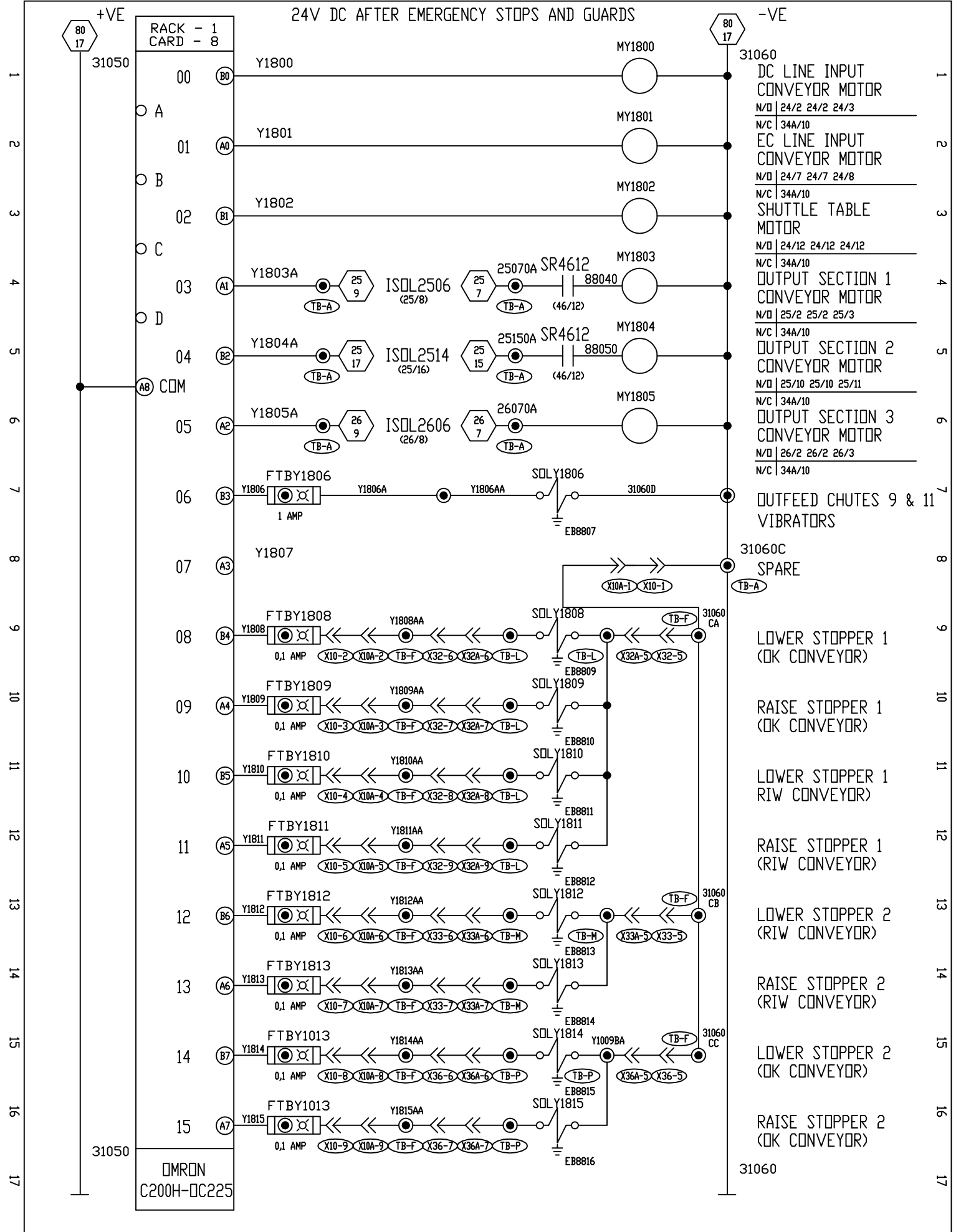


- 01 29090A INSPECTION STATION AUTO FEED
- 02 A C
- 03 01 INSPECTION STATION MANUAL FEED
- 04 B C
- 05 02 INSPECTION STATION MANUAL
- 06 C C
- 07 03 RAISE STOPPER 1 (OK CONVEYOR)
- 08 D C
- 09 04 LOWER STOPPER 1 (OK CONVEYOR)
- 10 COM (A8)
- 11 05 RAISE STOPPER 2 (OK CONVEYOR)
- 12 06 LOWER STOPPER 2 (OK CONVEYOR)
- 13 07 RESET STOPPER FAULT
- 14 08 LAMP TEST
- 15 09 CONVEYORS 1-2-3 START
- 16 10 CONVEYORS 1-2-3 STOP
- 17 11 PICK-UP OK 1
- 18 12 PICK-UP OK 2
- 19 13 TRACK CLEAR 1 (OK PARTS)
- 20 14 TRACK CLEAR 2 (OK PARTS)
- 21 15 TRACK CLEAR 1 (RIW PARTS)
- 22 16

REV./DATE	APRIL 95	19/08/96	SCALE N.T.S	CLIENT-- NNUK Ltd. TITLE-- DE-FLASHING PRESS GANTRY LOADER RACK-1, INPUT CARD-6 CABINET	SILVERTECH SYSTEMS DESIGNERS • CONTROL ENGINEERS TEL. (01524) 846772
DRAWN	P.D (JWF)	R.MAUN	SIZE A3		
CHECKED	G.B (JWF)		TOLERANCE	DRAWN R.M CHECKED D.P APP'D P.A.M	DOCUMENT No. 0043/GANTRY/86-87
APPROVED			ALL DIMENSIONS IN MILLIMETRES UNLESS OTHERWISE STATED	APPROVED DATE: 19/08/96	
ECN No.	F010-401-AC	043GAN86.DWG			



REV./DATE	APRIL 95	19/08/96	SCALE	N.T.S	CLIENT:- NNUK Ltd. TITLE:- DE-FLASHING PRESS GANTRY LOADER RACK-1, INPUT CARD-7 CABINET	SILVERTECH SYSTEMS DESIGNERS • CONTROL ENGINEERS TEL. (01524) 846772	DOCUMENT No. 0043/GANTRY/87-88	SHEET 87/88
DRAWN	P.D (JWF)	R.MAUN	SIZE	A3				
CHECKED	G.B (JWF)		TOLERANCE					
APPROVED			ALL DIMENSIONS IN MILLIMETRES UNLESS OTHERWISE STATED					
ECN No.	F010-401-AC	043GAN87.DWG			© THIS DRAWING IS THE PROPERTY OF SILVERTECH (NORTHERN) LTD. IT IS SUPPLIED IN CONFIDENCE & MAY NOT BE COPIED OR EXHIBITED WITHOUT WRITTEN PERMISSION. DRAWN R.M CHECKED D.P APP'D P.A.M APPROVED DATE: 19/08/96			



Elect.	●
Hydr.	○
Pneum.	○
Lubr.	○
DATE	APRIL 95

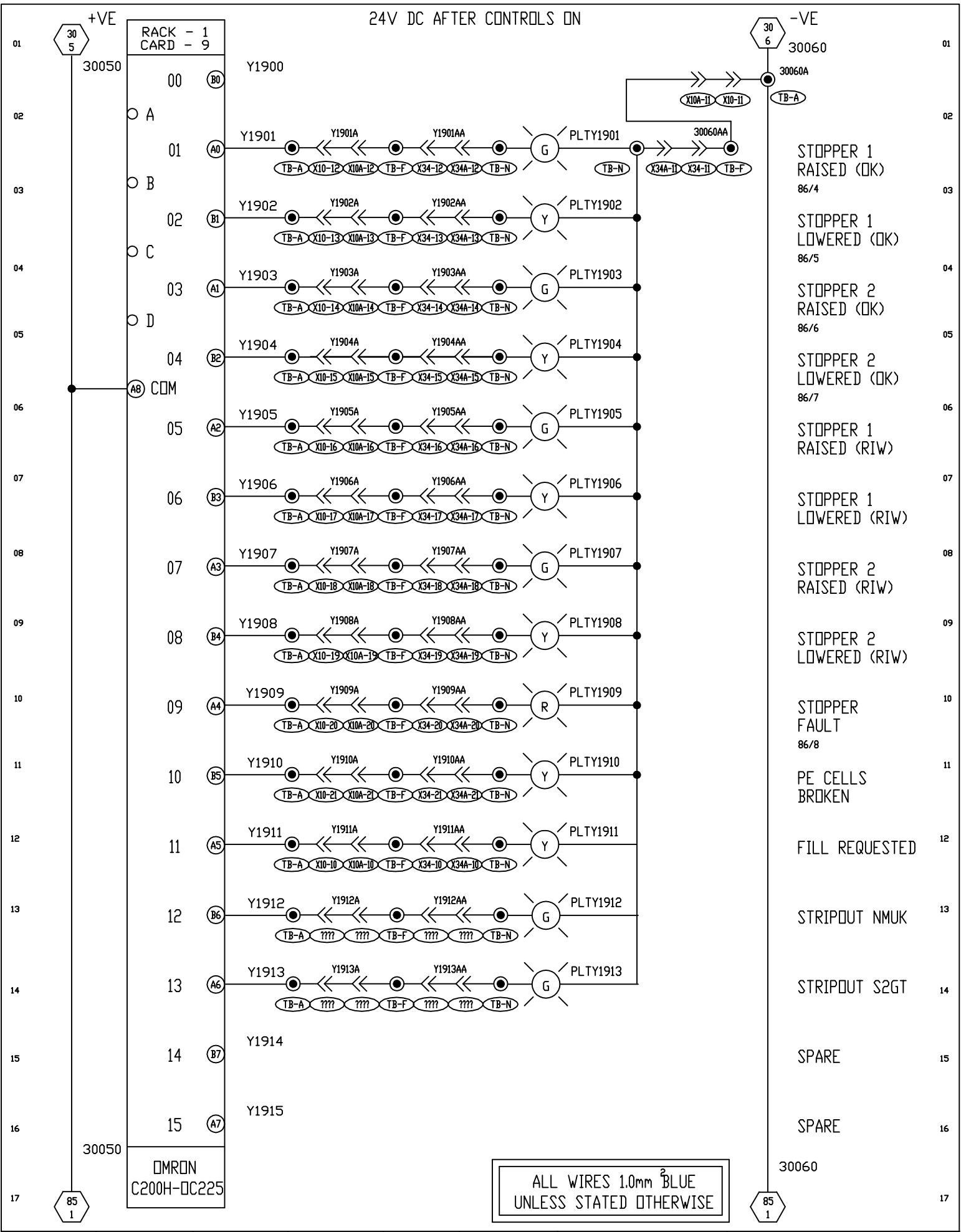
DESIGN	P.D.
DRAWN	
CHECKED	P.D.
APPROVED	G.B.
DRAWING NO	F010-401-AB

FROEHLICH
FELSO MAT
Automation & Engineering

NISSAN MOTOR MANUFACTURING
(UK) LIMITED No4870

DE-FLASHING PRESS GANTRY LOADER	
TITLE	RACK - 1 OUTPUT CARD - 8 CABINET
SHEET	88/89
SHEET	

JWF No. F010-4XX-088

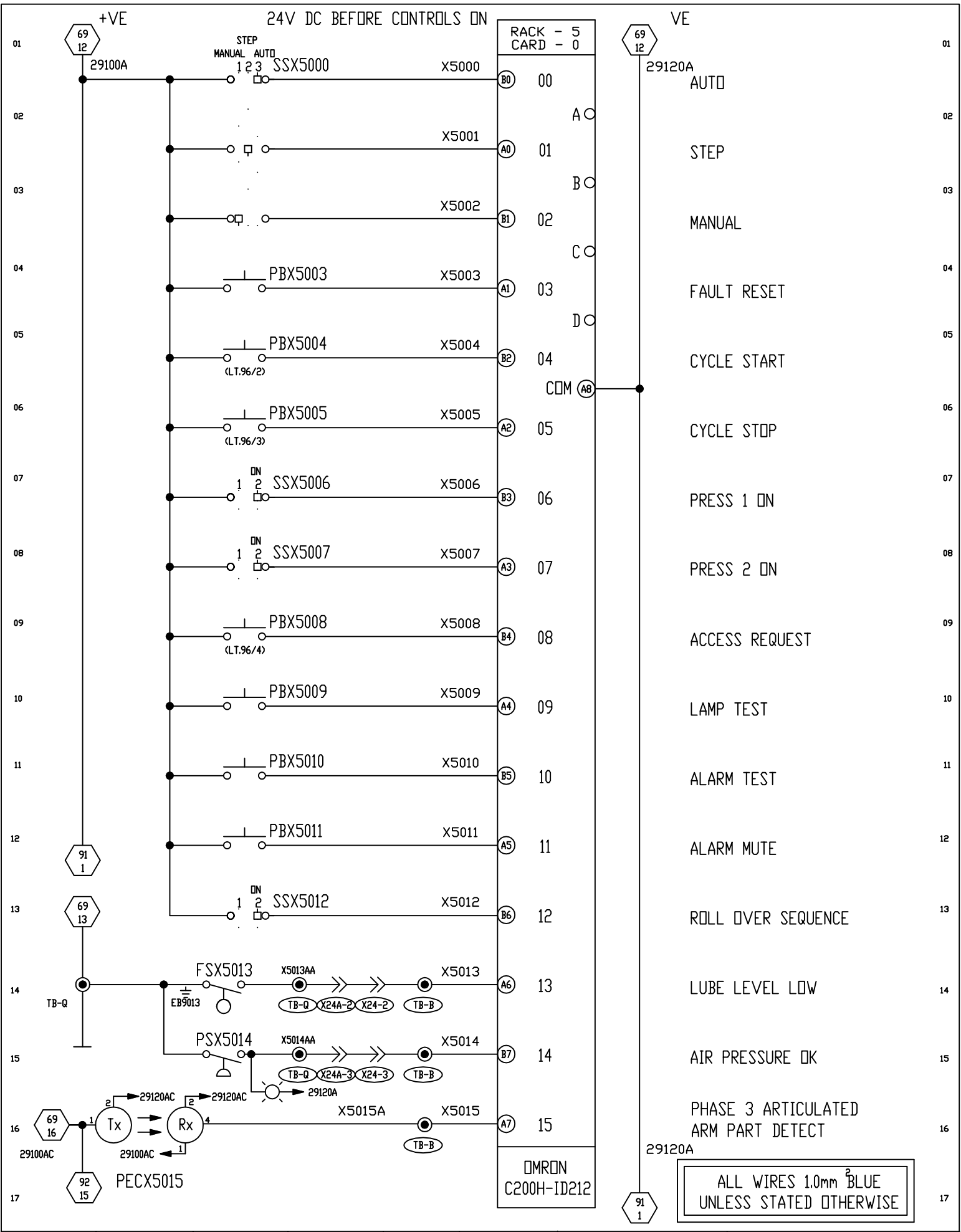


REV./DATE	APRIL 95	19/08/96	JAN 2008	SCALE N.T.S		CLIENT:- NMUK Ltd.
DRAWN	P.D (JWF)	R.MAUN	CONTRON	SIZE A3	© THIS DRAWING IS THE PROPERTY OF SILVERTECH (NORTHERN) LTD. IT IS SUPPLIED IN CONFIDENCE & MAY NOT BE COPIED OR EXHIBITED WITHOUT WRITTEN PERMISSION.	TITLE:-
CHECKED	G.B (JWF)			TOLERANCE		DE-FLASHING PRESS GANTRY LOADER
APPROVED				ALL DIMENSIONS IN MILLIMETRES UNLESS OTHERWISE STATED		RACK-1, OUTPUT CARD-9
ECN No.	F010-401-AB	043GAN89.DWG	P0235			CABINET
						DRAWN R.M
						CHECKED D.P
						APP'D P.A.M
						APPROVED DATE: 19/08/96

SILVERTECH
SYSTEMS DESIGNERS • CONTROL ENGINEERS
TEL. (01524) 846772

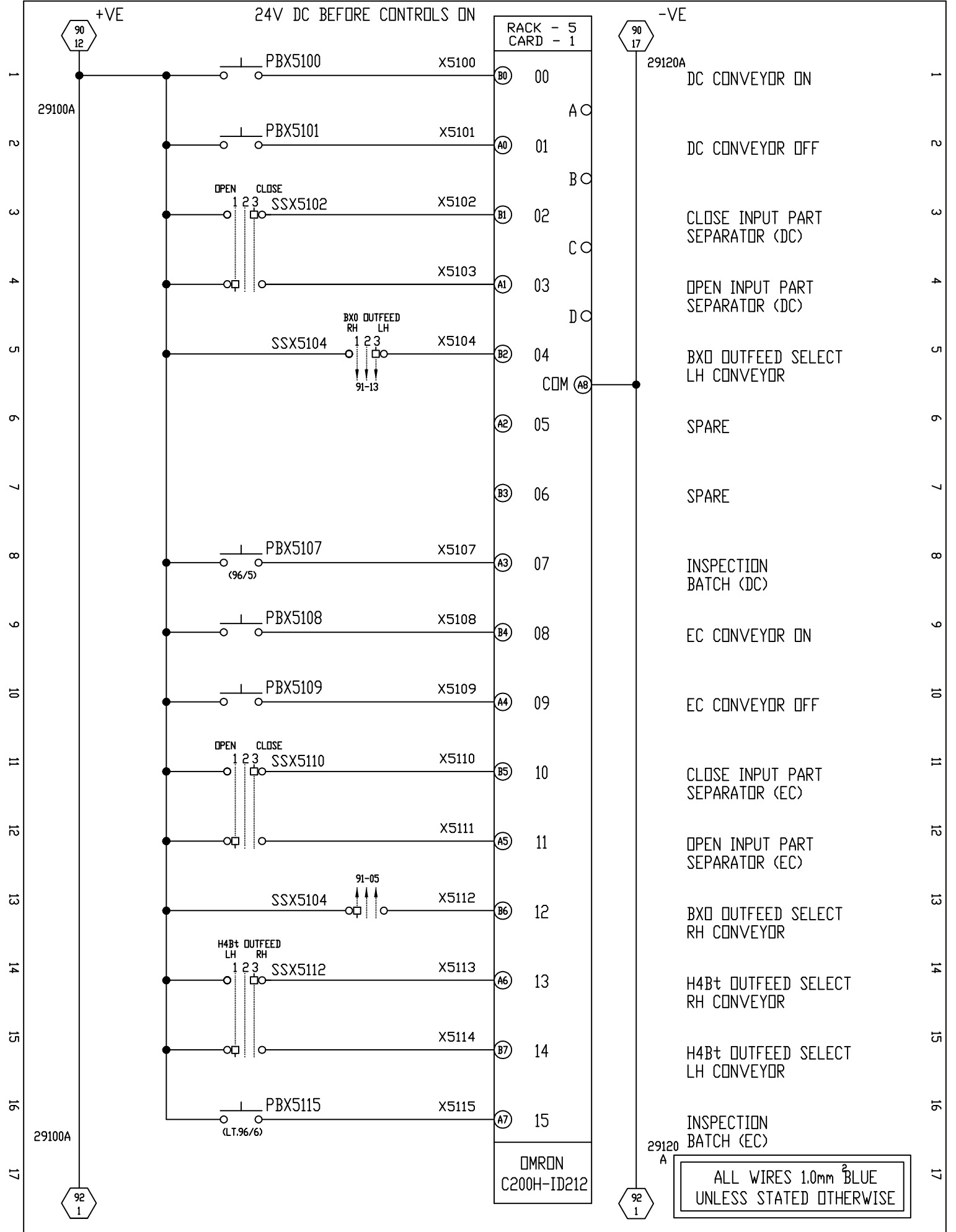
DOCUMENT No. 0043/GANTRY/89-90

SHEET 89/90

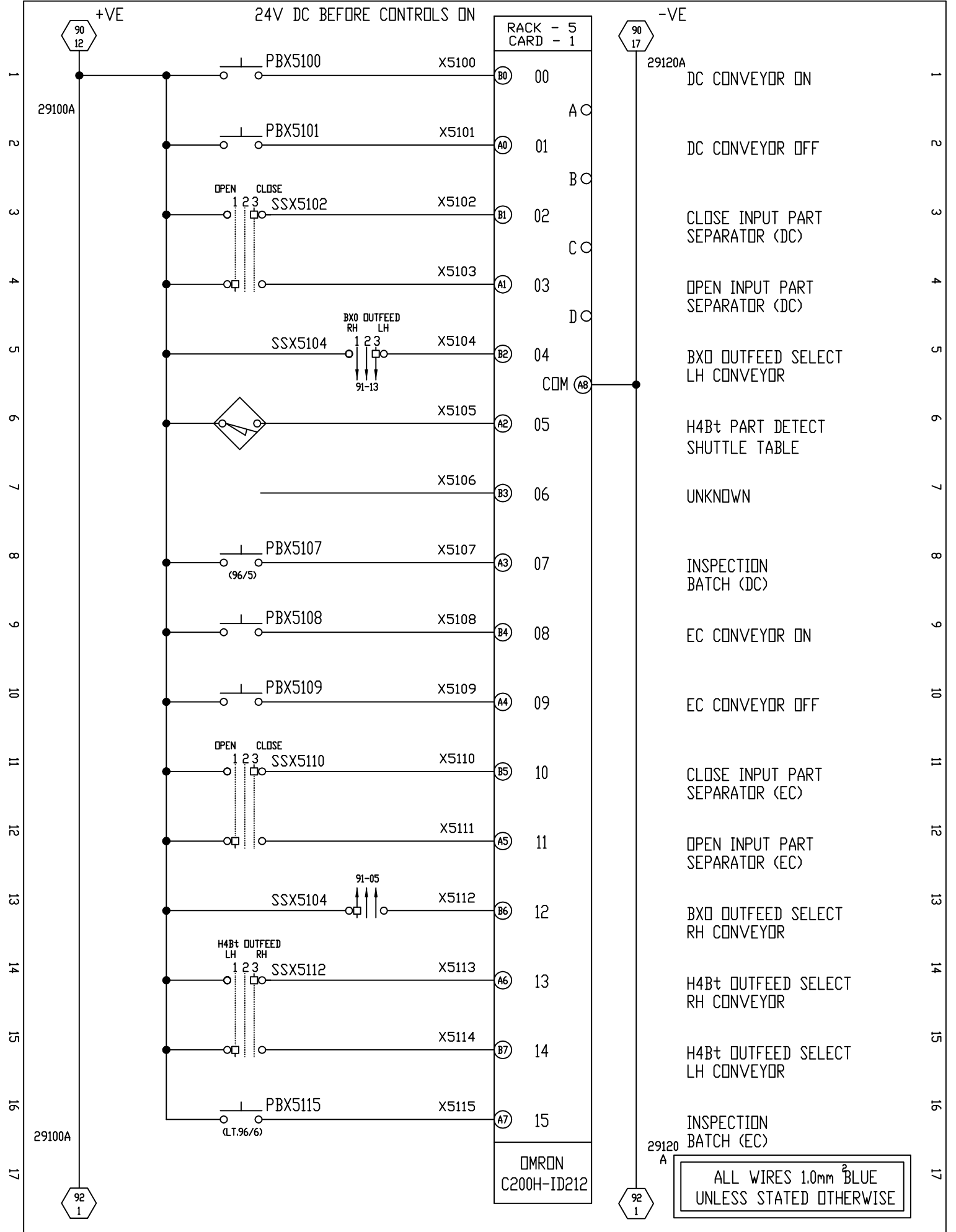


ALL WIRES 1.0mm² BLUE UNLESS STATED OTHERWISE

REV./DATE	APRIL 95	19/08/96	SCALE	N.T.S	CLIENT:- NMUK Ltd. TITLE:- DE-FLASHING PRESS GANTRY LOADER RACK-5, INPUT CARD-0 CONSOLE DRAWN R.M CHECKED D.P APP'D P.A.M APPROVED DATE: 19/08/96	SILVERTECH SYSTEMS DESIGNERS • CONTROL ENGINEERS TEL. (01524) 846772	DOCUMENT No. 0043/GANTRY/90-91	SHEET 90/91
DRAWN	P.D (JWF)	R.MAUN	SIZE	A3				
CHECKED	G.B (JWF)		TOLERANCE					
APPROVED			ALL DIMENSIONS IN MILLIMETRES UNLESS OTHERWISE STATED					
ECN No.	F010-401-AB	043GAN90.DWG						



Elect. <input checked="" type="checkbox"/>	DESIGN P.D.									CHANGES DATE NAME AUG 02 DCS JAN 08 CONTRIN		DE-FLASHING PRESS GANTRY LOADER	
Hydr. <input type="checkbox"/>	DRAWN P.D.								TITLE			SHEET	
Pneum. <input type="checkbox"/>	CHECKED G.B.								RACK - 5 INPUT CARD - 1 CONSOLE			91/92	
Lubr. <input type="checkbox"/>	APPROVED	DRAWING No F010-401-AB				NISSAN MOTOR MANUFACTURING (UK) LIMITED No4870						SHEET	
DATE APRIL 95													



Elect.	●
Hydr.	○
Pneum.	○
Lubr.	○
DATE	APRIL 95

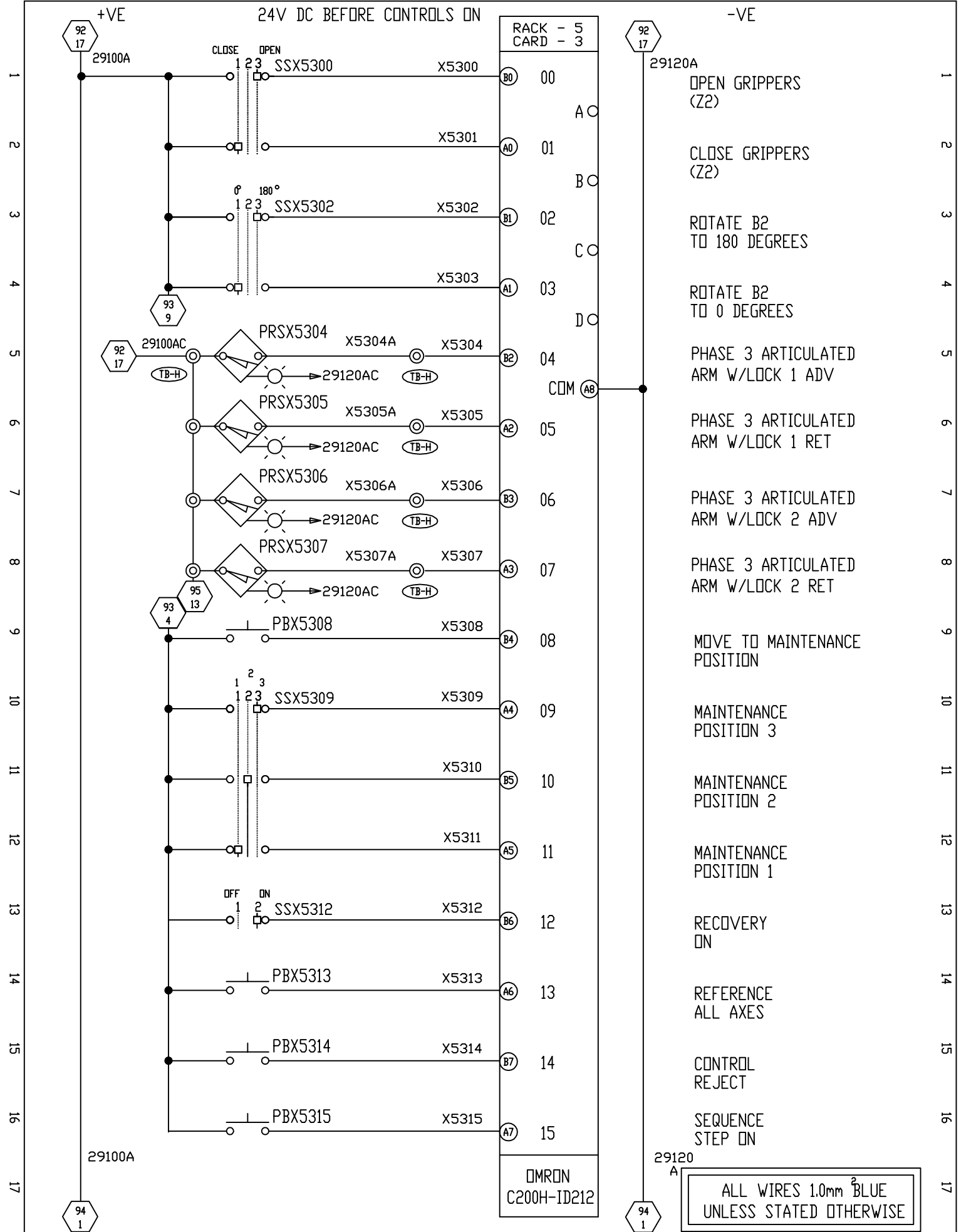
DESIGN	P.D.
DRAWN	
CHECKED	
APPROVED	

DRAWING No	F010-401-AB
DATE	JULY 12 1AV
NAME	JAN 08 CONTRIN
DATE	AUG 02 DCS
NAME	

FROEHLICH
FELSONMAT
Automation & Engineering

NISSAN MOTOR MANUFACTURING
(UK) LIMITED No4870

DE-FLASHING PRESS GANTRY LOADER	
TITLE	RACK - 5 INPUT CARD - 1 CONSOLE
SHEET	91/92
SHEET	



Elect.	●
Hydr.	○
Pneum.	○
Lubr.	○
DATE	APRIL 95

DESIGN	P.D.					DATE	19/7/02
DRAWN	P.D.					NAME	DJS
CHECKED	G.B.					CHANGES	
APPROVED		DRAWING NO		F010-401-AB			

FROEHLICH
FELSOMAT
 Automation & Engineering

NISSAN MOTOR MANUFACTURING
 (UK) LIMITED No4870

DE-FLASHING PRESS GANTRY LOADER	
TITLE	RACK - 5 INPUT CARD - 3 CABINET
SHEET	93/94
SHEET	

JWF No. F010-4XX-093

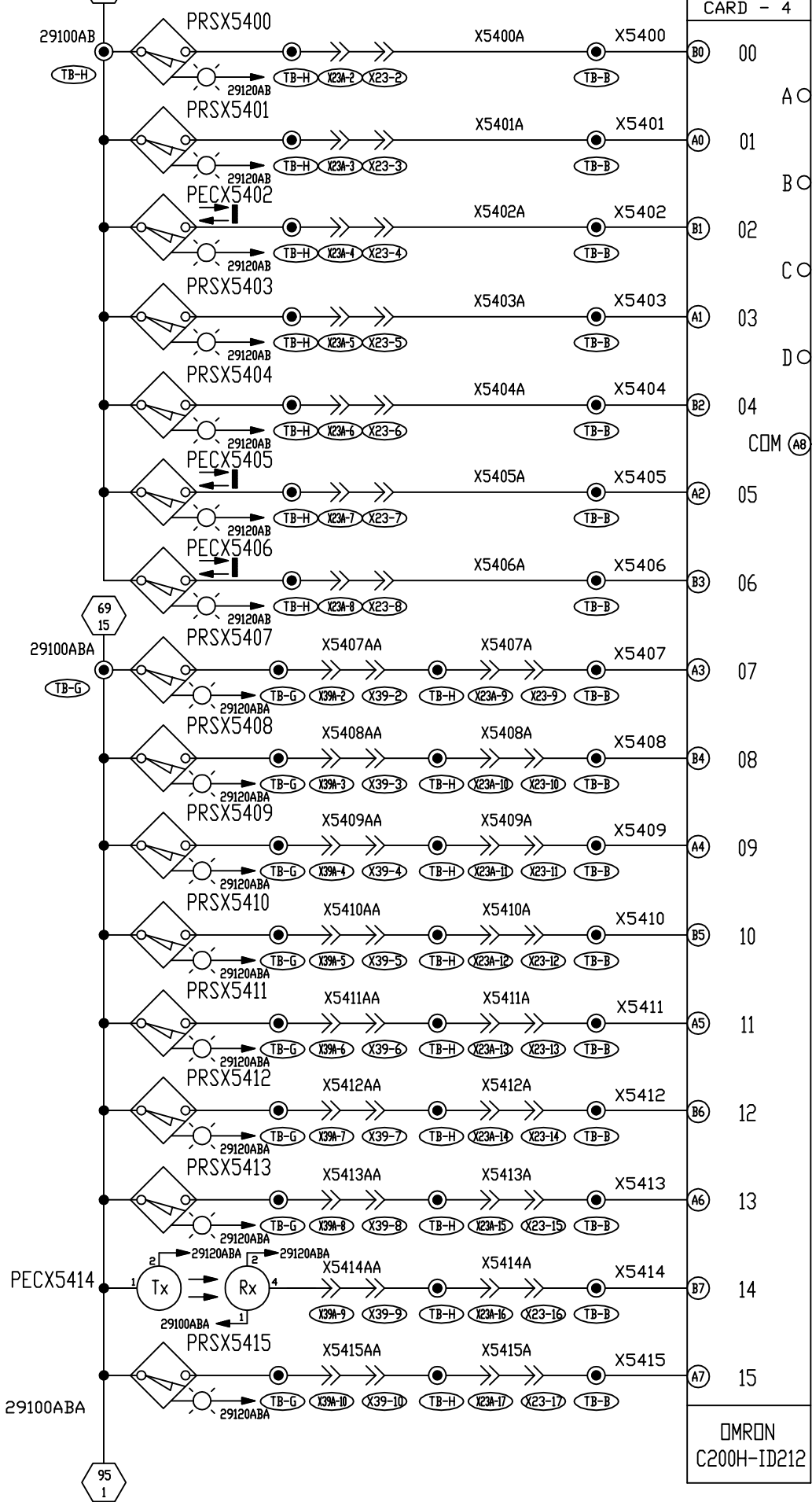
+VE

24V DC BEFORE CONTROLS ON

RACK - 5
CARD - 4

-VE

1
2
3
4
5
6
7
8
9
10
11
12
13
14
15
16
17



29120A
INPUT CONVEYOR (DC) STOPPER RAISED

INPUT CONVEYOR (DC) STOPPER LOWERED

PART PRESENT INPUT CONVEYOR (DC)

INPUT CONVEYOR (EC) STOPPER RAISED

INPUT CONVEYOR (EC) STOPPER LOWERED

PART PRESENT INPUT CONVEYOR (EC)

EC PART IN TRANSIT

SHUTTLE IN EC POSITION

SHUTTLE IN DC POSITION

DC POSITIONER RETURNED

DC POSITIONER ADVANCED

EC POSITIONER RETURNED

EC POSITIONER ADVANCED (GA)

EC POSITIONER ADVANCED (SR)

SHUTTLE TABLE CLEAR TO MOVE

SIDE STOP FITTED (GA)

29120A

OMRON
C200H-ID212

95
1

95
1

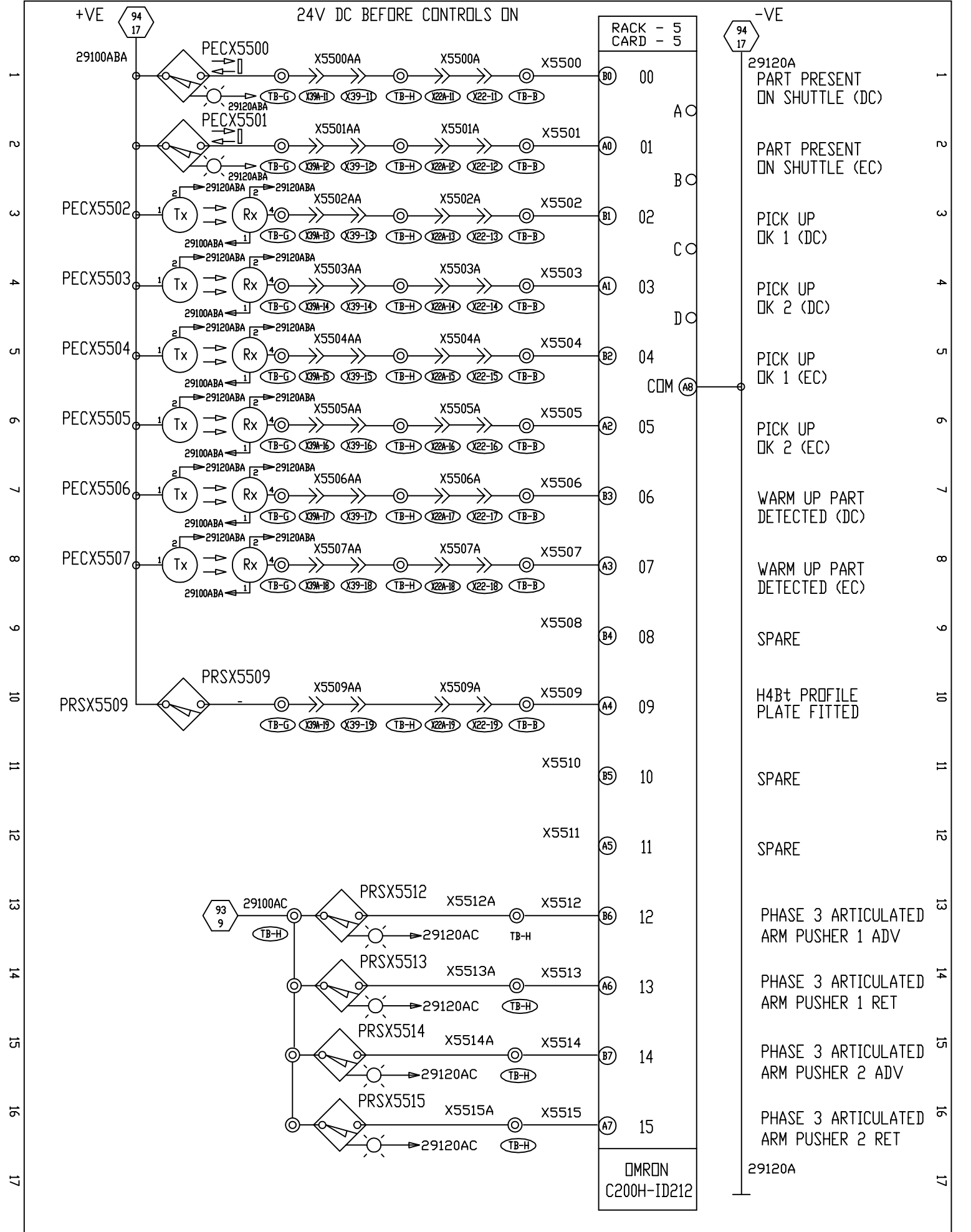
Elect. ●
Hydr. ○
Pneum. ○
Lubr. ○
DATE
APRIL 95

DESIGN P.D.
DRAWN
CHECKED
G.B.
APPROVED
DRAWING NO
F010-401-AB

CHANGES
DATE
NAME
FROEHLICH
FELSO MAT
Automation & Engineering
NISSAN MOTOR MANUFACTURING
(UK) LIMITED No4870

DE-FLASHING PRESS GANTRY LOADER
TITLE
RACK - 5
INPUT CARD - 4
CABINET
SHEET
94/95
SHEET

JWF No. F010-4XX-094



RACK - 5 CARD - 5
00
01
02
03
04
05
06
07
08
09
10
11
12
13
14
15
17

Elect.	<input checked="" type="radio"/>
Hydr.	<input type="radio"/>
Pneum.	<input type="radio"/>
Lubr.	<input type="radio"/>
DATE	APRIL 95

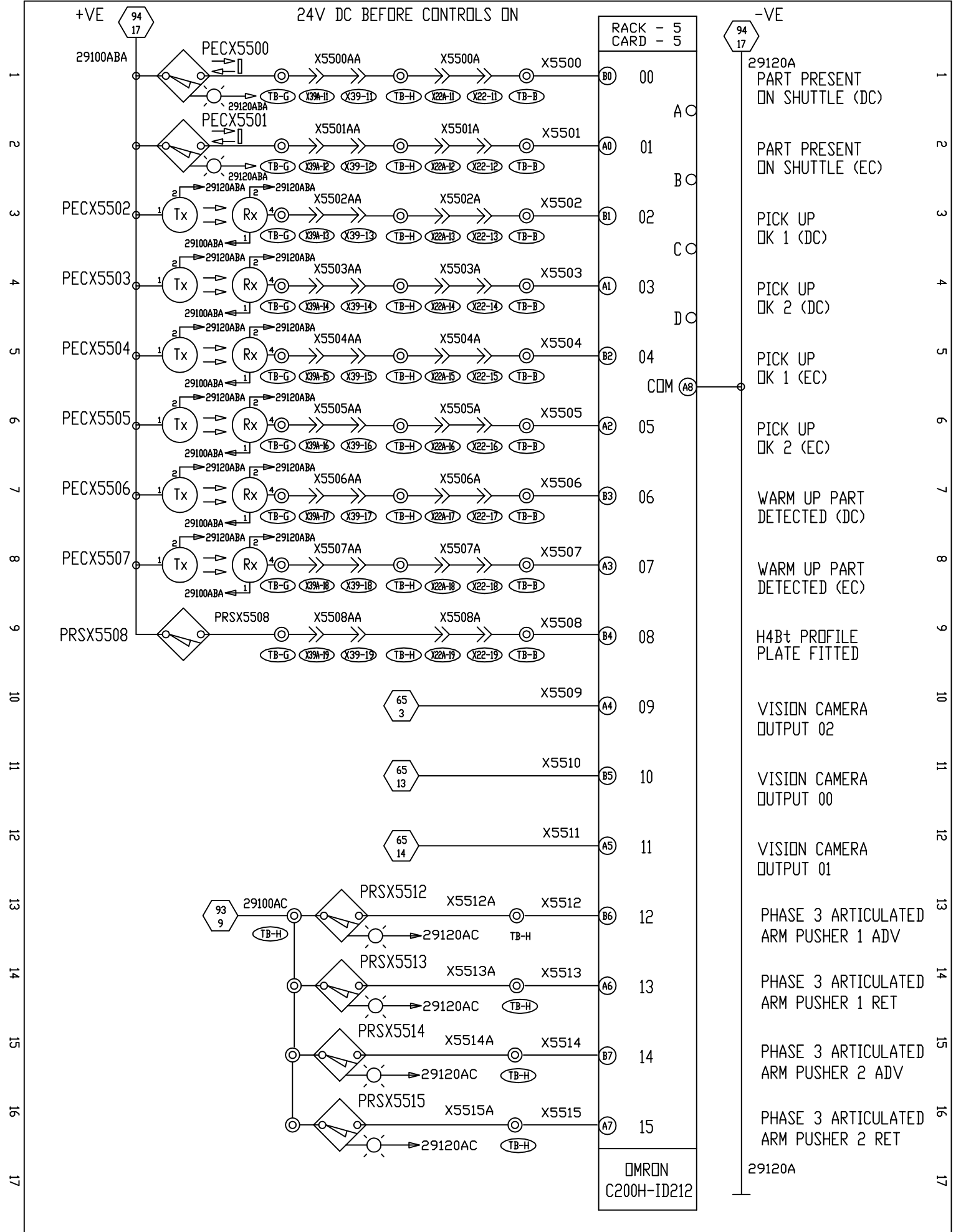
DESIGN	P.D.
DRAWN	
CHECKED	P.D.
APPROVED	G.B.
DRAWING NO	F010-401-AB

Automation & Engineering

NISSAN MOTOR MANUFACTURING
 (UK) LIMITED No4870

DE-FLASHING PRESS GANTRY LOADER	
TITLE	RACK - 5 INPUT CARD - 5 CABINET
SHEET	95/96
SHEET	

JMF No F010-4XX-095



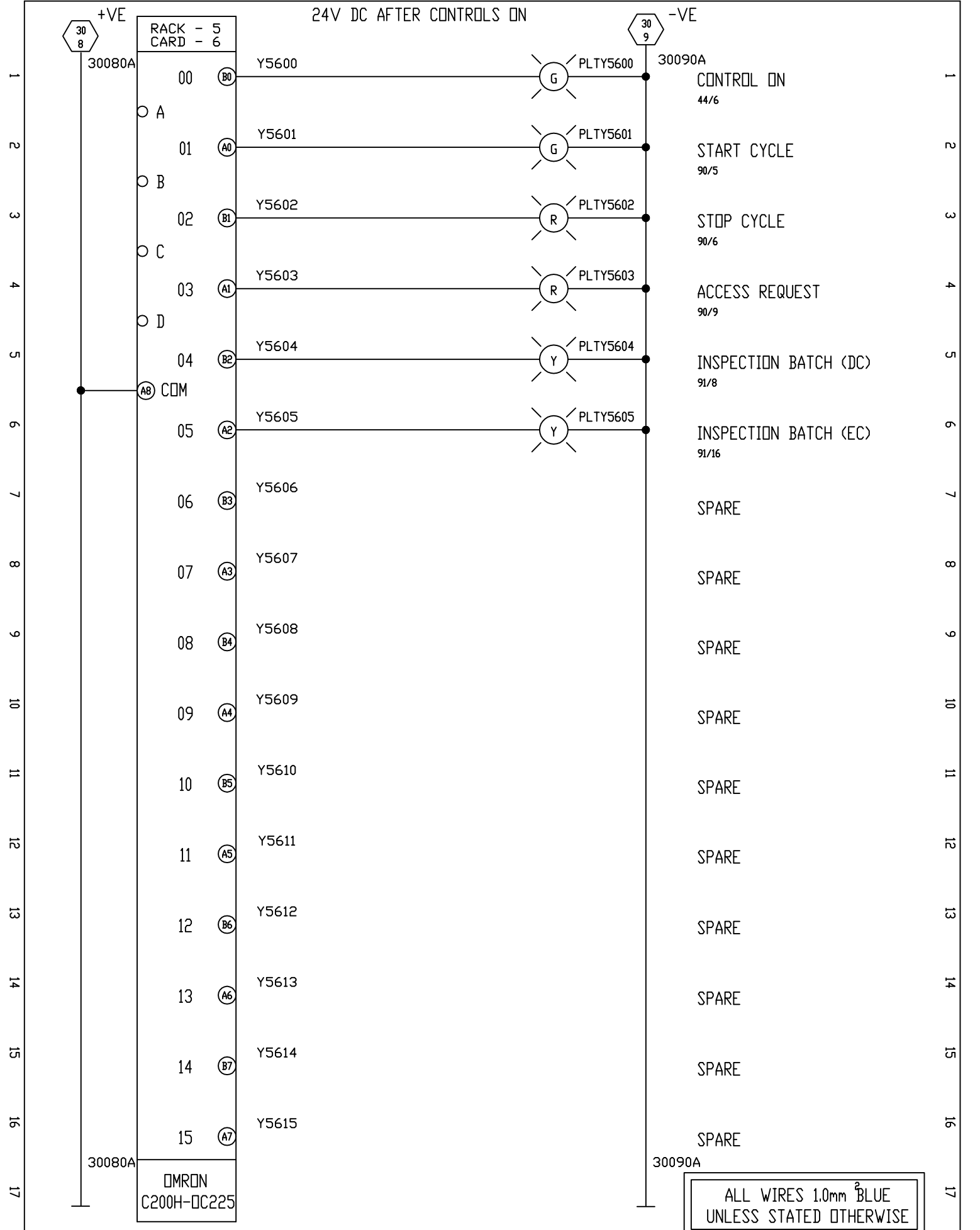
Elect.
 Hydr.
 Pneum.
 Lubr.
 DATE APRIL 95

DESIGN	P.D.			DATE	19/7/02
DRAWN	P.D.			NAME	DCS
CHECKED	G.B.			DATE	JUL 12
APPROVED				NAME	IAV
DRAWING NO. F010-401-AB					

FROEHLICH FELSOMAT
 Automation & Engineering
 NISSAN MOTOR MANUFACTURING (UK) LIMITED No4870

DE-FLASHING PRESS GANTRY LOADER	
TITLE	SHEET
RACK - 5 INPUT CARD - 5 CABINET	95/96
	SHEET

JWF No. F010-4XX-095



OMRON
C200H-DC225

ALL WIRES 1.0mm² BLUE
UNLESS STATED OTHERWISE

Elect.

Hydr.

Pneum.

Lubr.

DATE
APRIL 95

DESIGN	P.D.				DATE
DRAWN	P.D.				NAME
CHECKED	G.B.				
APPROVED		DRAWING NO F010-401-AA			

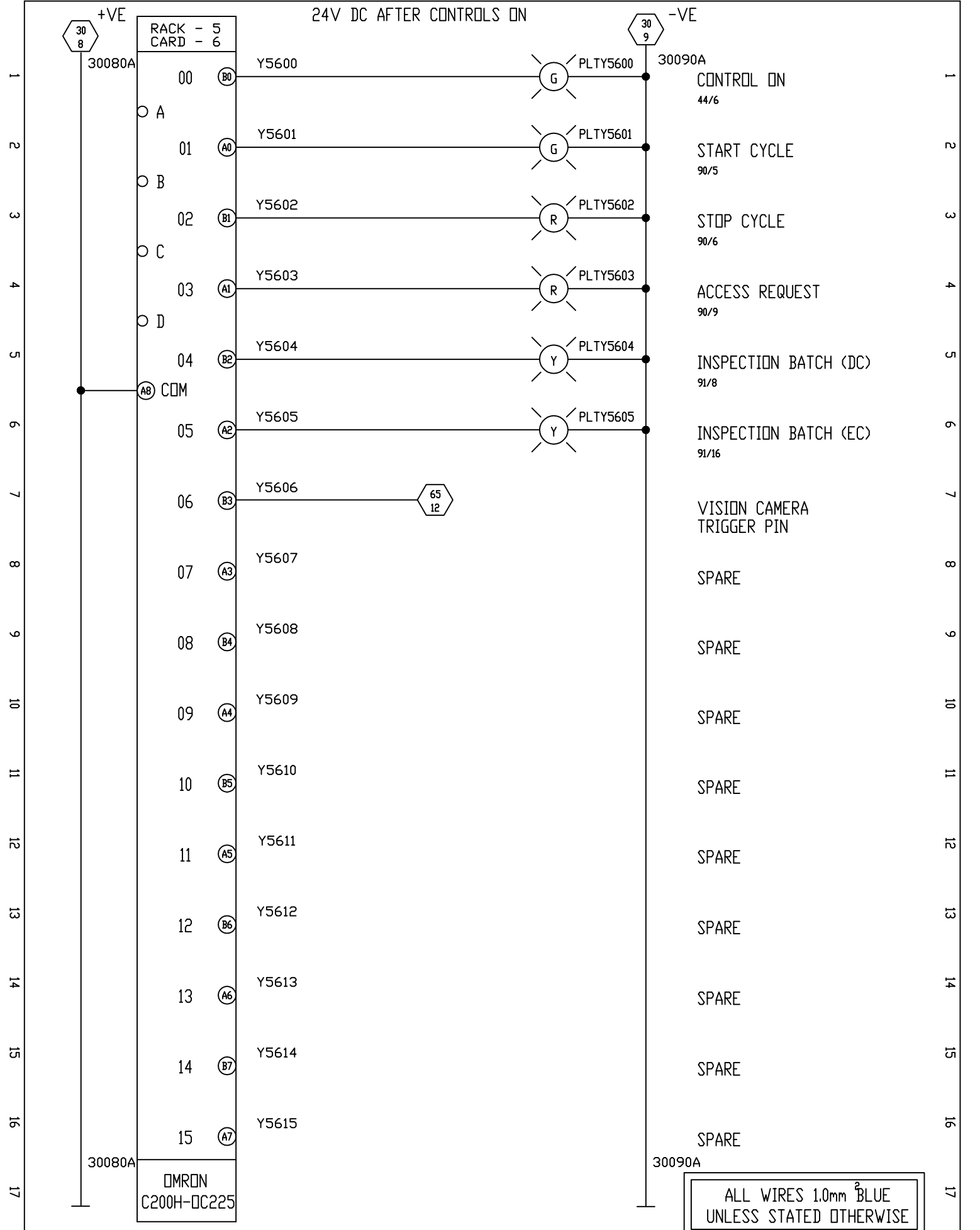
FROEHLICH
FELSO MAT
Automation & Engineering

NISSAN MOTOR MANUFACTURING
(UK) LIMITED No4870

DE-FLASHING PRESS GANTRY LOADER

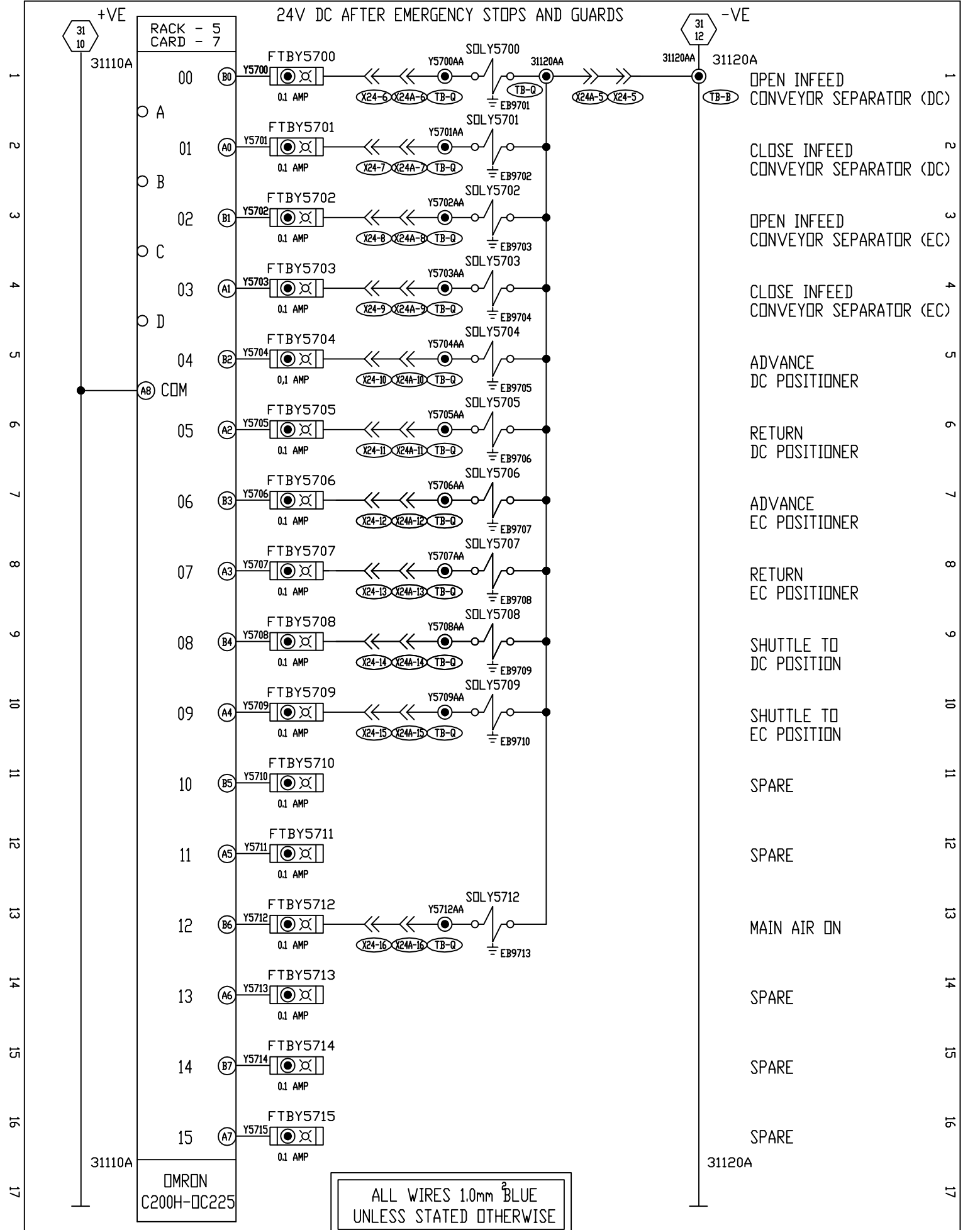
TITLE RACK - 5 OUTPUT CARD - 6 CONSOLE	SHEET 96/97
	SHEET

JWF No. F010-4XX-096



Elect. <input checked="" type="radio"/> Hydr. <input type="radio"/> Pneum. <input type="radio"/> Lubr. <input type="radio"/>	DESIGN	P.D.	CHANGES DATE NAME JUL 12 TAV				 Automation & Engineering	DE-FLASHING PRESS GANTRY LOADER		
	DRAWN	P.D.						TITLE		SHEET
	CHECKED	G.B.						RACK - 5		96/97
	APPROVED							OUTPUT CARD - 6		SHEET
DATE	DRAWING NO		NISSAN MOTOR MANUFACTURING (UK) LIMITED No4870			RACK - 5 CONSOLE				
APRIL 95	F010-401-AA									

JWF No. F010-4XX-096




OMRON
C200H-DC225

ALL WIRES 1.0mm² BLUE
UNLESS STATED OTHERWISE

Elect.	<input checked="" type="radio"/>
Hydr.	<input type="radio"/>
Pneum.	<input type="radio"/>
Lubr.	<input type="radio"/>
DATE	APRIL 95

DESIGN	P.D.						
DRAWN	P.D.						
CHECKED	G.B.						
APPROVED							
DRAWING NO		F010-401-AB					



FROEHLICH
FELSOMAT
Automation & Engineering

NISSAN MOTOR MANUFACTURING
(UK) LIMITED No4870

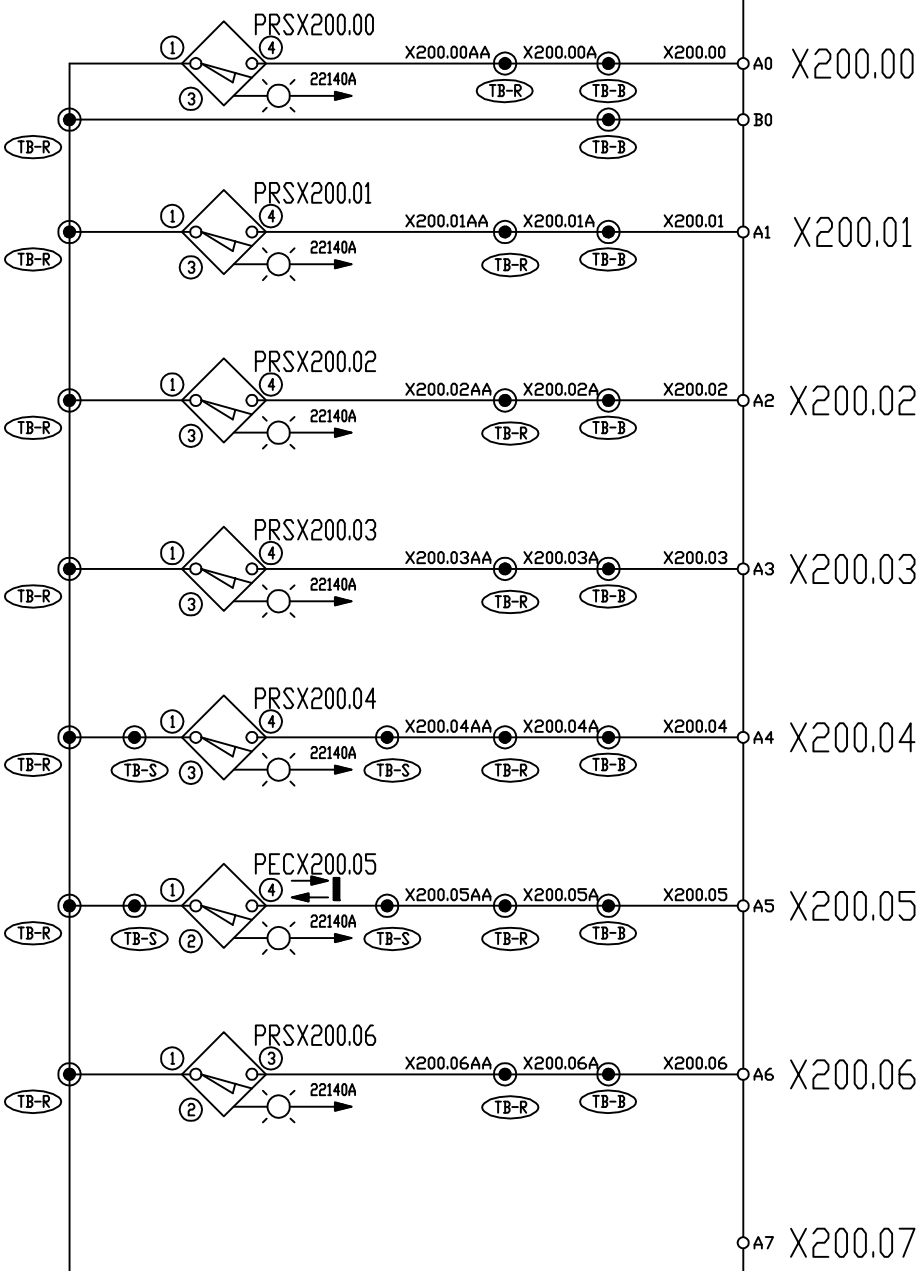
DE-FLASHING PRESS GANTRY LOADER	
TITLE	SHEET
RACK - 5 OUTPUT CARD - 7 CONSOLE	97/98
	SHEET

JWF No. F010-4XX-097

1
2
3
4
5
6
7
8
9
10
11
12
13
14
15
16
17

1
2
3
4
5
6
7
8
9
10
11
12
13
14
15
16
17

REMOTE INPUT
G72C-ID16-1



IN FEED CONVEYOR
BX0 STOPPER STATION
EAST SIDE
PROXIMITY SWITCH

IN FEED CONVEYOR
BX0 STOPPER STATION
WEST SIDE
PROXIMITY SWITCH

IN FEED CONVEYOR
BX0 ENTRY GUIDE RAIL
PROXIMITY SWITCH 1

IN FEED CONVEYOR
BX0 UPPER AUTOSTOP
PROXIMITY SWITCH

SHUTTLE TABLE
H4BT END STOP
PROXIMITY SWITCH

SHUTTLE TABLE
H4BT PART LOCATED
PHOTOCELL

IN FEED CONVEYOR
BX0 ENTRY GUIDE RAIL
PROXIMITY SWITCH 2

SPARE

98A031

98B
1

Elect.	●
Hydr.	○
Pneum.	○
Lubr.	○
DATE	APRIL 95

DESIGN	P.D.
DRAWN	
CHECKED	P.D.
APPROVED	G.B.
DRAWING NO	F010-401-AB

CHANGES

DATE	23/06/11
NAME	JEB

FROEHLICH
FELSO MAT
Automation & Engineering

NISSAN MOTOR MANUFACTURING
(UK) LIMITED No4870

DE-FLASHING PRESS GANTRY LOADER	
TITLE	REMOTE INPUT CARD - 1
SHEET	98A/95
SHEET	

JWF No. F010-4XX-094

98A
17

98A031

REMOTE INPUT
G72C-ID16-1

○A8 X200.08 SPARE

○A9 X200.09 SPARE

○A10 X200.10 SPARE

○A11 X200.11 SPARE

○A12 X200.12 SPARE

○A13 X200.13 SPARE

○A14 X200.14 SPARE

○A15 X200.15 SPARE

98A031

Elect.

Hydr.

Pneum.

Lubr.

DATE
APRIL 95

DESIGN P.D.

DRAWN P.D.

CHECKED G.B.

APPROVED

CHANGES			
DATE	NAME	DESCRIPTION	REASON
23/06/11	JEB		

DRAWING No
F010-401-AB



NISSAN MOTOR MANUFACTURING
(UK) LIMITED No4870

DE-FLASHING PRESS GANTRY LOADER

TITLE
REMOTE
INPUT CARD - 1

SHEET
98B/95

SHEET

JWF No. F010-4XX-094

1
2
3
4
5
6
7
8
9
10
11
12
13
14
15
16
17

1
2
3
4
5
6
7
8
9
10
11
12
13
14
15
16
17


RS232C INTERFACE
LK201
RACK - 5
SLOT - 9

Elect.	<input checked="" type="radio"/>
Hydr.	<input type="radio"/>
Pneum.	<input type="radio"/>
Lubr.	<input type="radio"/>
DATE	APRIL 95

DESIGN	P.D.
DRAWN	P.D.
CHECKED	G.B.
APPROVED	

CHANGES	
DATE	NAME

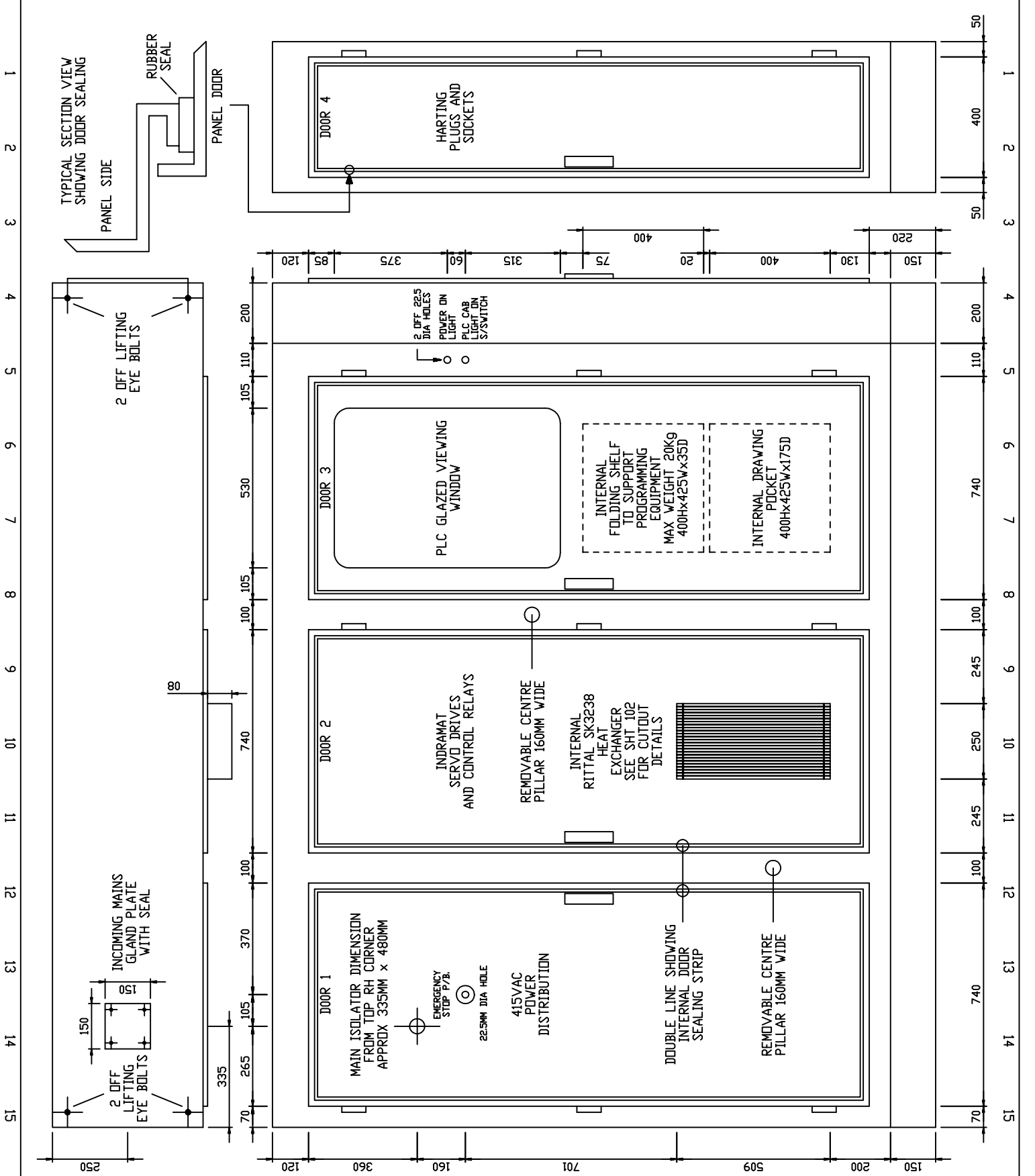
DRAWING No
F010-401-AA



NISSAN MOTOR MANUFACTURING
(UK) LIMITED No4870

DE-FLASHING PRESS GANTRY LOADER	
TITLE	SHEET
OPERATOR SCREEN RS232C INTERFACE	99/100
	SHEET
	.

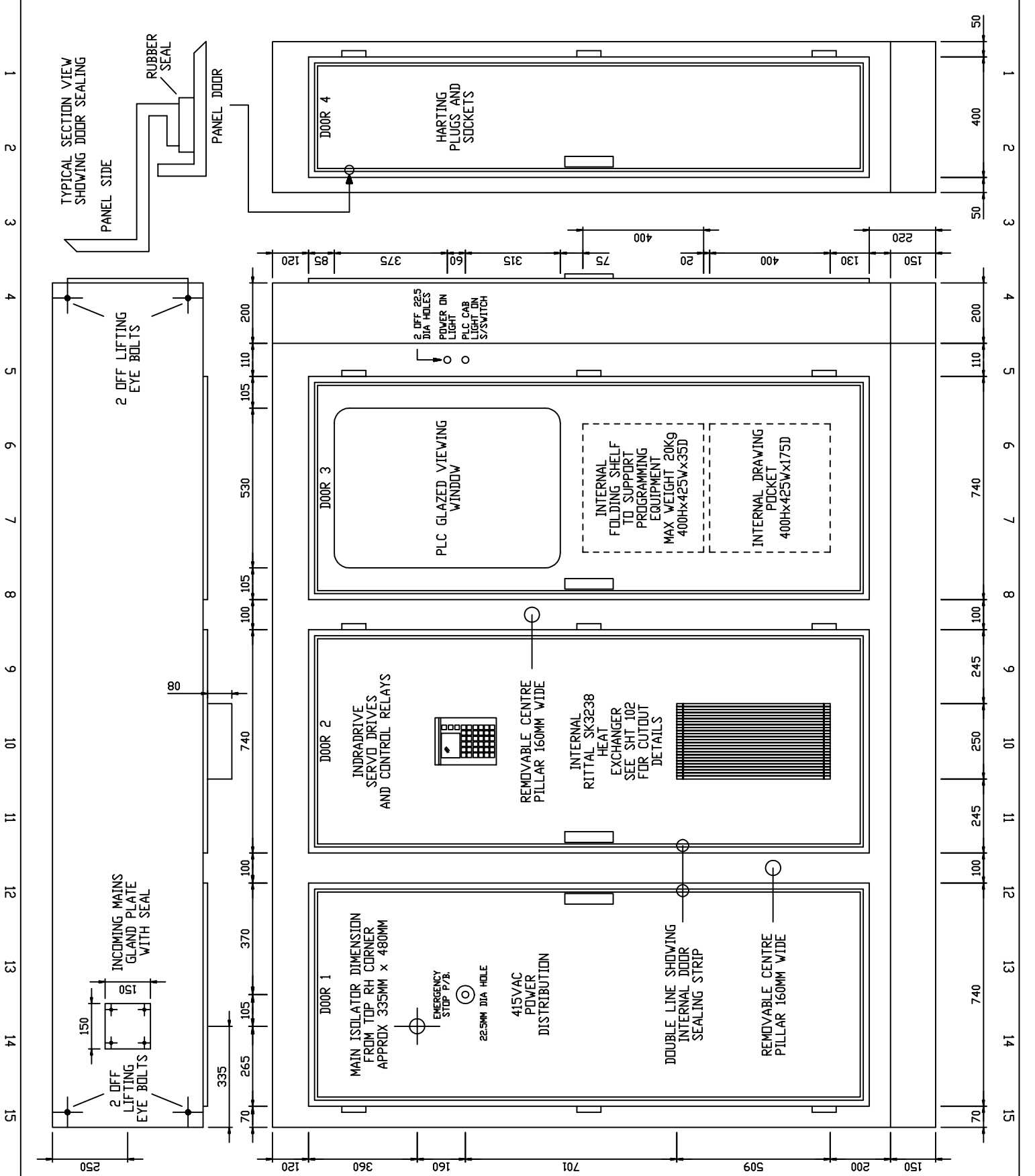
JWF No.F010-4XX-099



- GENERAL NOTES :-
- A: GENERAL OVERALL DIMENSIONS HEIGHT 2200MM x WIDTH 2800MM x DEPTH 500MM
 - B: PAINT SPECIFICATION EXTERNAL CLEMENTINE ORANGE BS 06E51 - INTERNAL BRILLIANT WHITE BS 00E55
 - C: ALL DOOR TO BE FITTED WITH EMKA 8MM TRIANGULAR LOCKS
 - D: ALL BACK PLATE DIMENSIONS HEIGHT 1800MM x WIDTH 800MM
 - E: ALL BACK PLATES MOUNTED 250MM FROM FLOOR AND 100MM FROM LH SIDE OF PANEL
 - F: ALL DOOR TO BE FITTED WITH EARTH STUDS
 - G: ALL FLOORING TO BE REMOVABLE (NO FLOORING IN DOOR 4 CABINET)

Elect. <input checked="" type="radio"/>	DESIGN	P.D.		FLASHING PRESS GANTRY LOADER	
Hydr. <input type="radio"/>	DRAWN				
Pneum. <input type="radio"/>	CHECKED			ELECTRICAL CABINET OVERVIEW	100/101
Lubr. <input type="radio"/>	APPROVED				SHEET
DATE APRIL 95	DRAWING NO	F010-401-AA	NISSAN MOTOR MANUFACTURING (UK) LIMITED No4870		

JWF No.F010-4XX-100



- GENERAL NOTES :-
- A: GENERAL OVERALL DIMENSIONS HEIGHT 2200MM x WIDTH 2800MM x DEPTH 500MM
 - B: PAINT SPECIFICATION EXTERNAL CLEMENTINE ORANGE BS 06E51 - INTERNAL BRILLIANT WHITE BS 00E55
 - C: ALL DOOR TO BE FITTED WITH EMKA 8MM TRIANGULAR LOCKS
 - D: ALL BACK PLATE DIMENSIONS HEIGHT 1800MM x WIDTH 800MM
 - E: ALL BACK PLATES MOUNTED 250MM FROM FLOOR AND 100MM FROM LH SIDE OF PANEL
 - F: ALL DOOR TO BE FITTED WITH EARTH STUDS
 - G: ALL FLOORING TO BE REMOVABLE (NO FLOORING IN DOOR 4 CABINET)

Elect.	●
Hydr.	○
Pneum.	○
Lubr.	○
DATE	APRIL 95

DESIGN	P.D.
DRAWN	
CHECKED	P.D.
APPROVED	G.B.
DRAWING NO	F010-401-AA

CHANGES

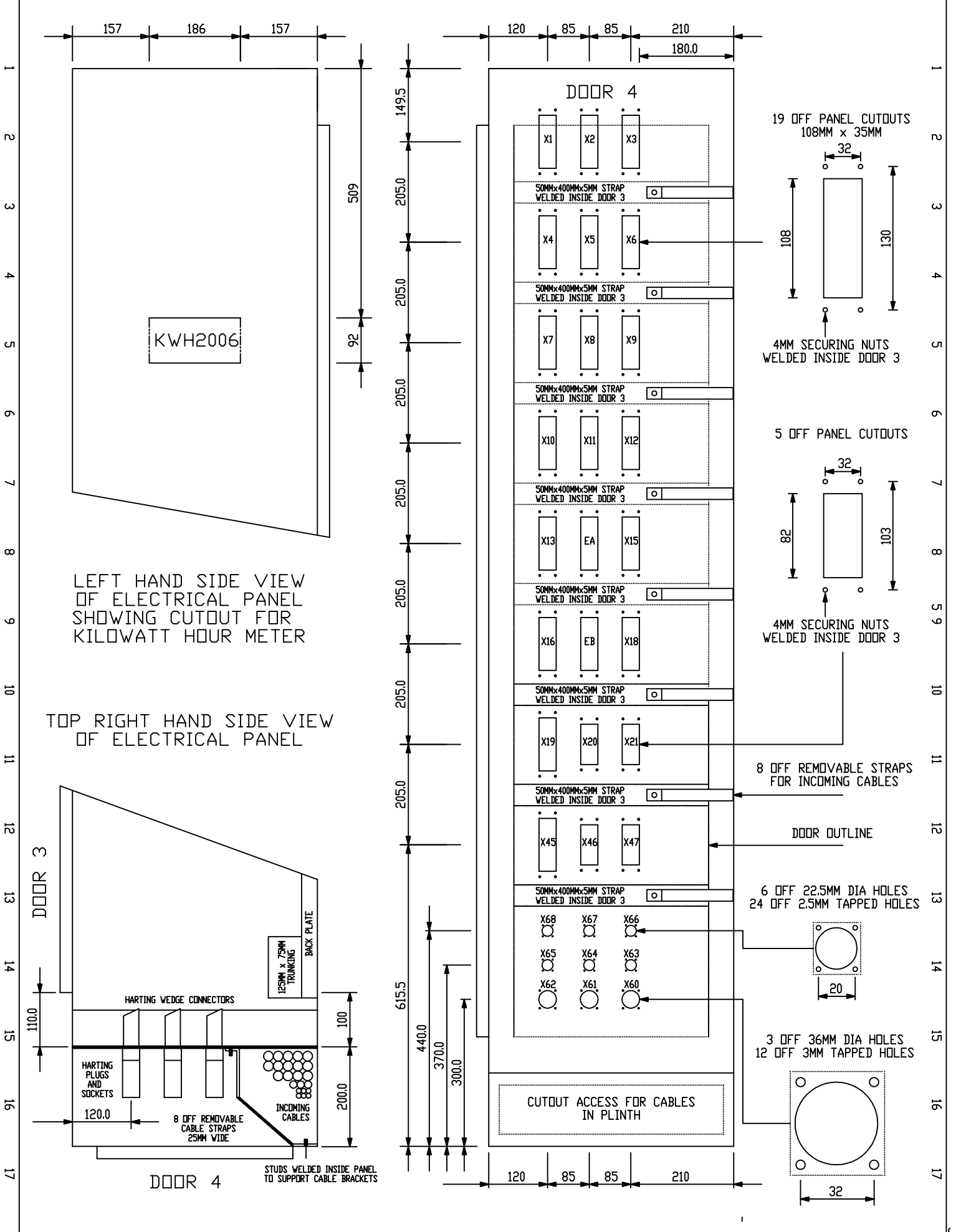
DATE	NAME
JUL 12	TAV

FROEHLICH
PELSOMAT
Automation & Engineering

NISSAN MOTOR MANUFACTURING
(UK) LIMITED No4870

FLASHING PRESS GANTRY LOADER	
TITLE	ELECTRICAL CABINET OVERVIEW
SHEET	100/101
SHEET	

JWF No.F010-4XX-100




LEFT HAND SIDE VIEW OF ELECTRICAL PANEL SHOWING CUTOFF FOR KILOWATT HOUR METER

TOP RIGHT HAND SIDE VIEW OF ELECTRICAL PANEL

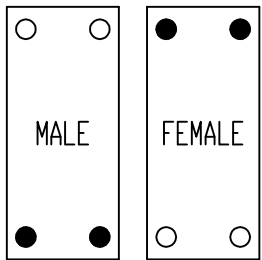
Elect.	●
Hydr.	○
Pneum.	○
Lubr.	○
DATE	APRIL 95

DESIGN	P.D.	DRAWING NO F010-401-AC
DRAWN		
CHECKED	G.B.	
APPROVED		

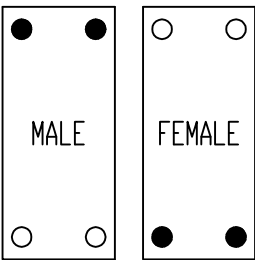

 Automation & Engineering
NISSAN MOTOR MANUFACTURING (UK) LIMITED No4870

DE-FLASHING PRESS GANTRY LOADER	
TITLE	SHEET
PLUG AND SOCKET CODING SYSTEM	101/101A
	SHEET

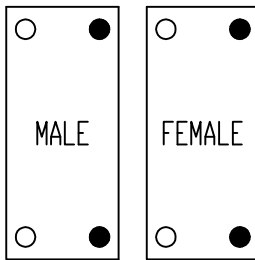
JWF No.F010-4XX-101



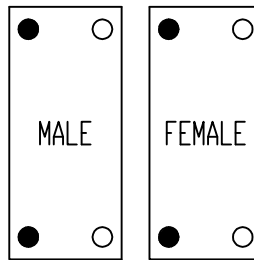
X1, EA, X38,



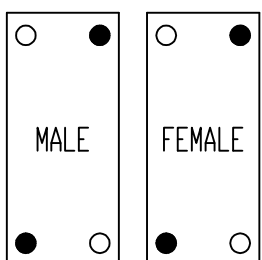
X2, X2A, X2B, X20,
X20A, EB,



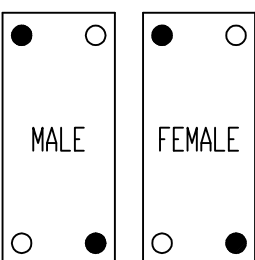
X3, X3A, X3B, X19
X21, X21A,



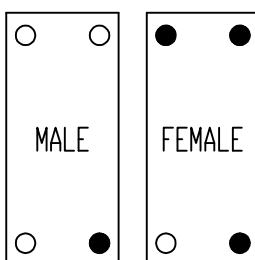
X4, X4A, X4B, X22,
X22A, X45,



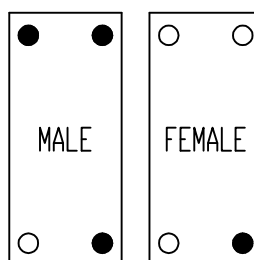
X5, X5A, X5B, X23,
X23A, X46,



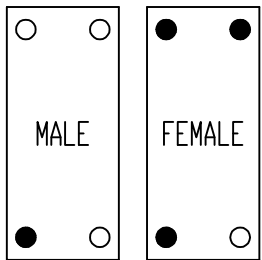
X6, X6A, X26, X26A,
X39, X47



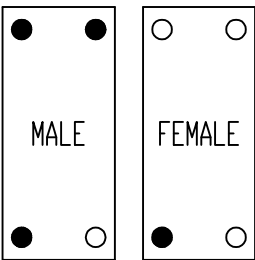
X7, X7A,



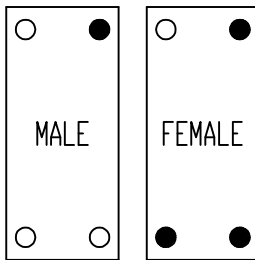
X8, X8A, X28, X28A



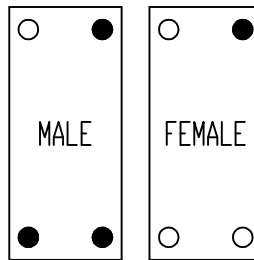
X9, X9A,



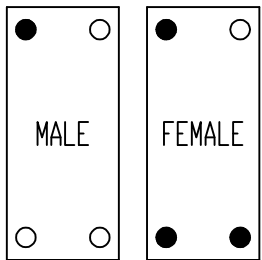
X10, X10A



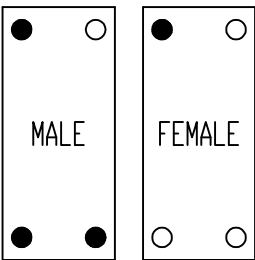
X11, X11A, X32, X51



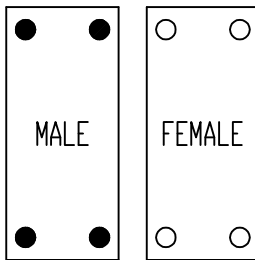
X12, X33, X52,



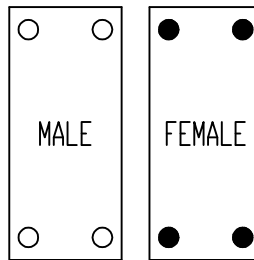
X13, X34, X34A,



X15, X35, X35A,



X16, X36, X53,



X18, X37, X37A, X54,

PLUG AND SOCKET CODING SYSTEM WITH GUIDE PINS AND BUSHES. ● GUIDE PIN ○ BUSH

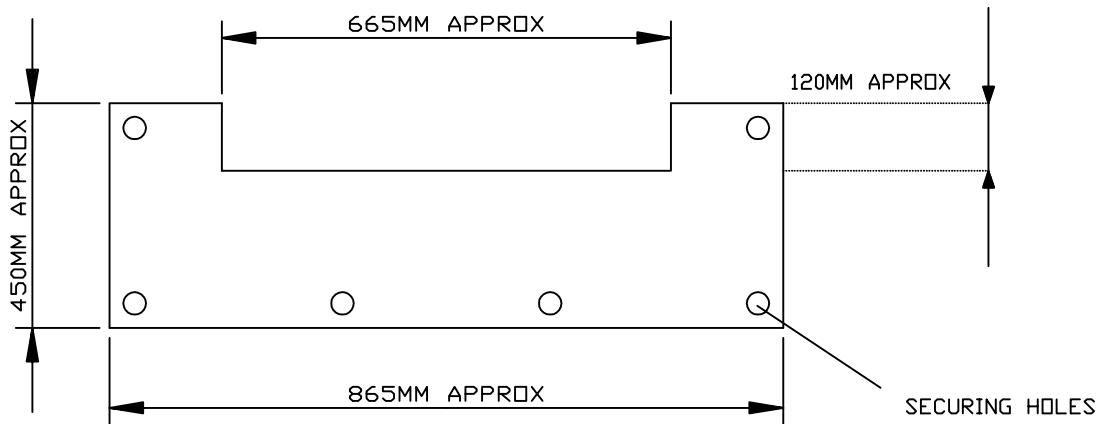
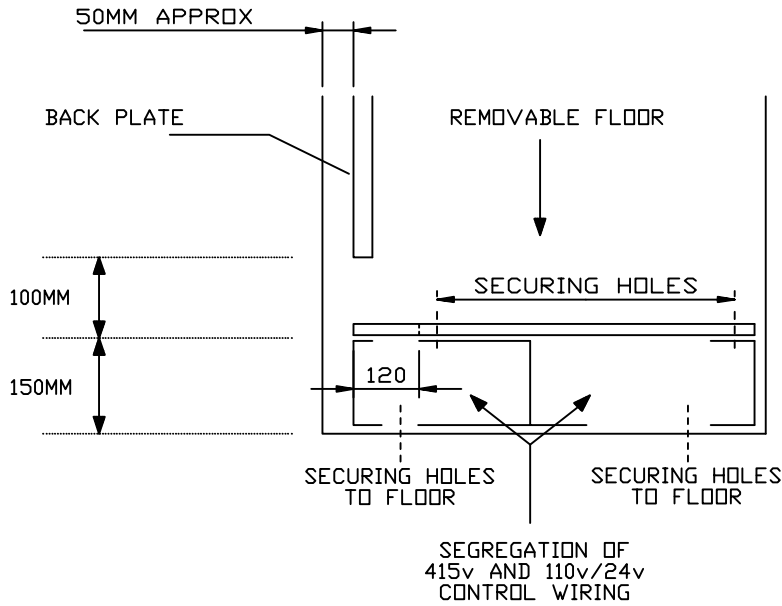
Elect. ●	DESIGN P.D.										DATE	CHANGES		DE-FLASHING PRESS GANTRY LOADER	SHEET 101A/102			
Hydr. ○	DRAWN P.D.										NAME							
Pneum. ○	CHECKED G.B.																	
Lubr. ○	APPROVED	DRAWING NO F010-401-AC																
DATE APRIL 95		NISSAN MOTOR MANUFACTURING (UK) LIMITED No4870																

JWF No.F010-4XX-101A

1
2
3
4
5
6
7
8
9
10
11
12
13
14
15
16
17

1
2
3
4
5
6
7
8
9
10
11
12
13
14
15
16
17

CROSS SECTION OF PANEL FLOOR



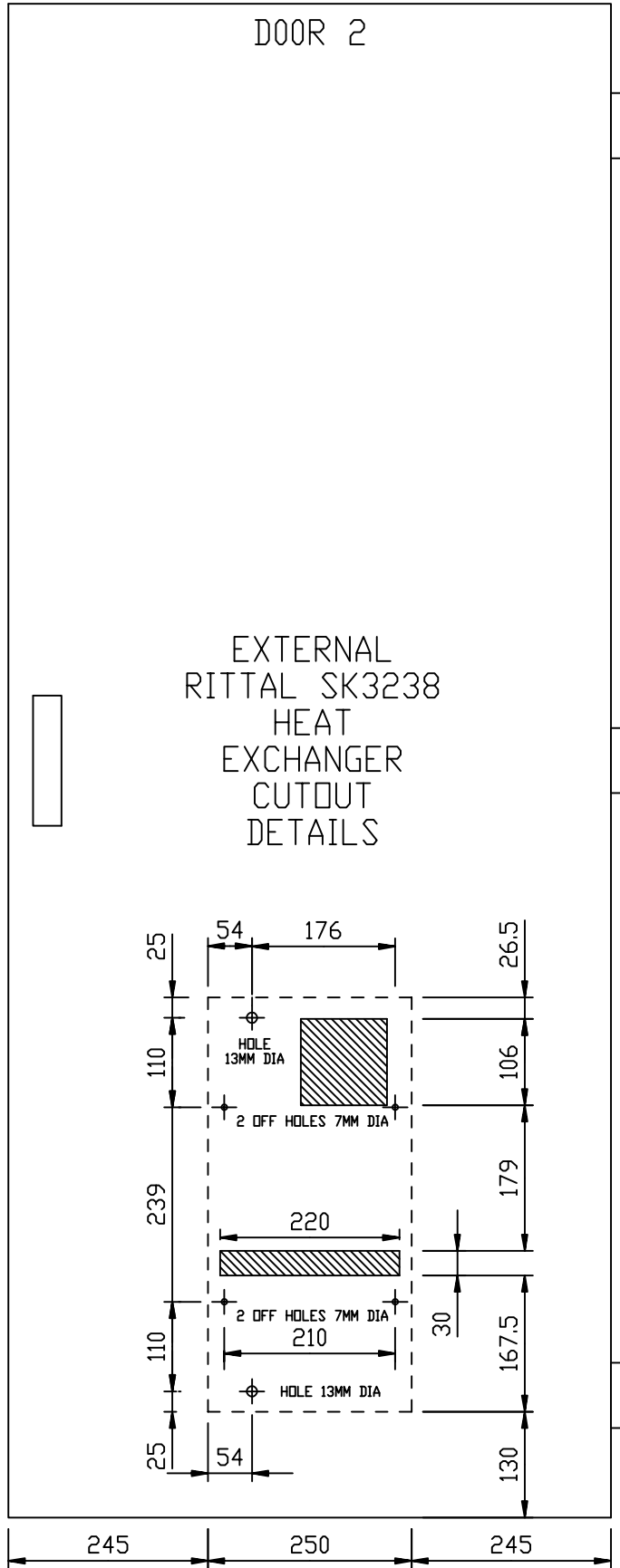
EXAMPLE OF EASY REMOVABLE FLOOR SECTION

Elect. <input checked="" type="radio"/>	DESIGN P.D.									<p>NISSAN MOTOR MANUFACTURING (UK) LIMITED No4870</p>	FLASHING PRESS GANTRY LOADER	
Hydr. <input type="radio"/>	DRAWN P.D.										TITLE	SHEET 102/103
Pneum. <input type="radio"/>	CHECKED G.B.										REMOVABLE FLOOR SECTION	SHEET
Lubr. <input type="radio"/>	APPROVED	DRAWING NO F010-401-AA										
DATE APRIL 95												

JWF No.F010-4XX-102

1
2
3
4
5
6
7
8
9
10
11
12
13
14
15
16
17

1
2
3
4
5
6
7
8
9
10
11
12
13
14
15
16
17



Elect.
Hydr.
Pneum.
Lubr.
DATE
APRIL 95

DESIGN P.D.
DRAWN P.D.
CHECKED G.B.
APPROVED

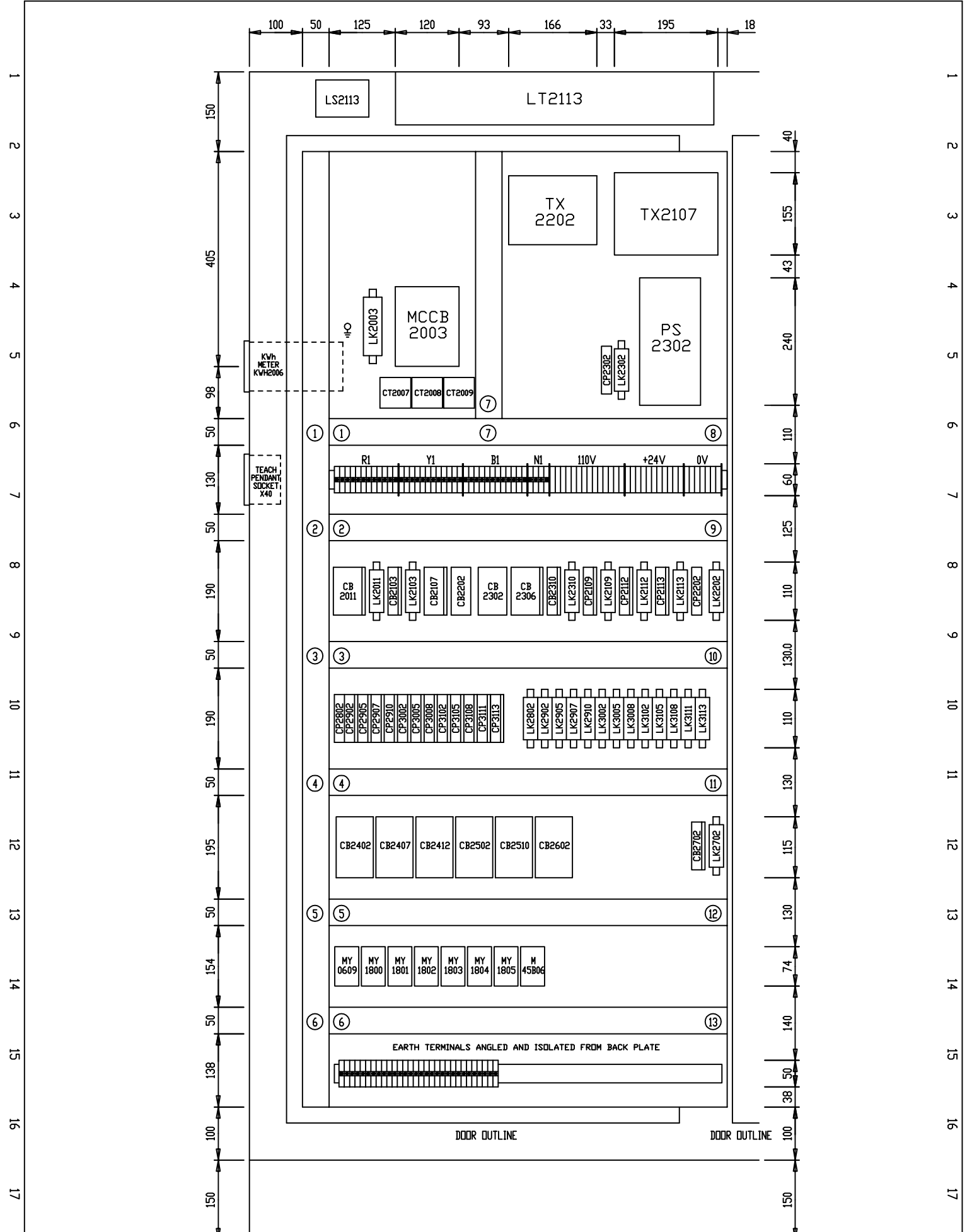
CHANGES	
DATE	NAME

DRAWING NO
F010-401-AA

NISSAN MOTOR MANUFACTURING (UK) LIMITED No4870

FLASHING PRESS GANTRY LOADER	
TITLE	SHEET
HEAT EXCHANGER CUTOUT DETAILS	103/104
	SHEET

JWF No.F010-4XX-103

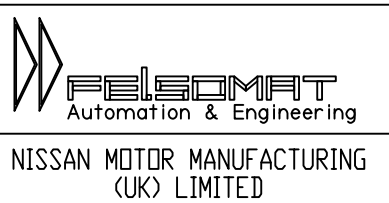


Elect.
 Hydr.
 Pneum.
 Lubr.
 DATE
 APRIL 95

DESIGN P.D.
 DRAWN P.D.
 CHECKED G.B.
 APPROVED

CHANGES	DATE	NAME

DRAWING NO
F010-401-AC



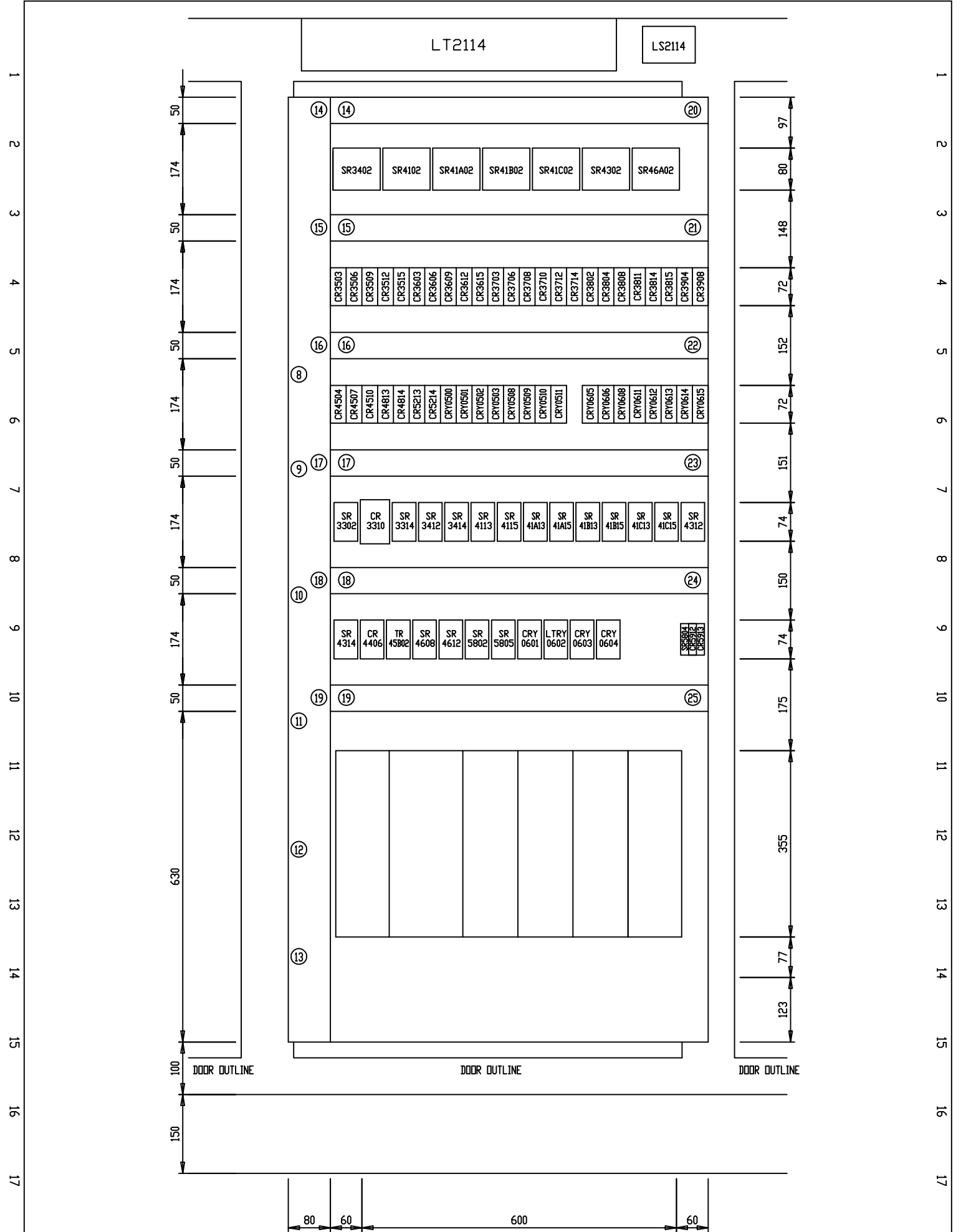
DE-FLASHING PRESS GANTRY LOADER

TITLE
**CABINET LAYOUT
 DOOR 1**

SHEET
 104/105

SHEET

JWF No.F010-4XX-104




Elect. ●
 Hydr. ○
 Pneum. ○
 Lubr. ○
 DATE
 APRIL 95

DESIGN AT
 DRAWN AT
 CHECKED G.B.
 APPROVED

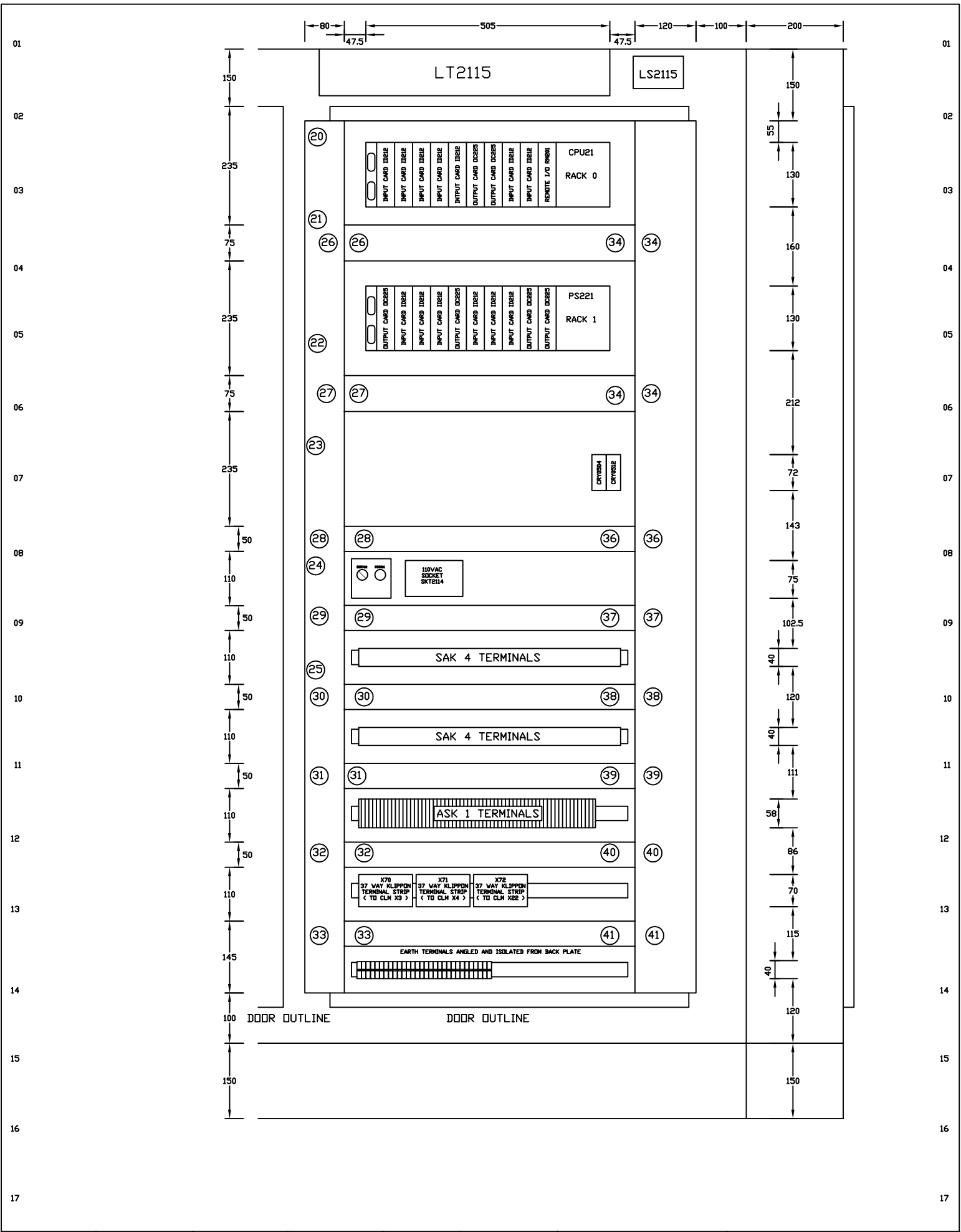
CHANGES	DATE	NAME


DRAWING NO
 F010-401-AD

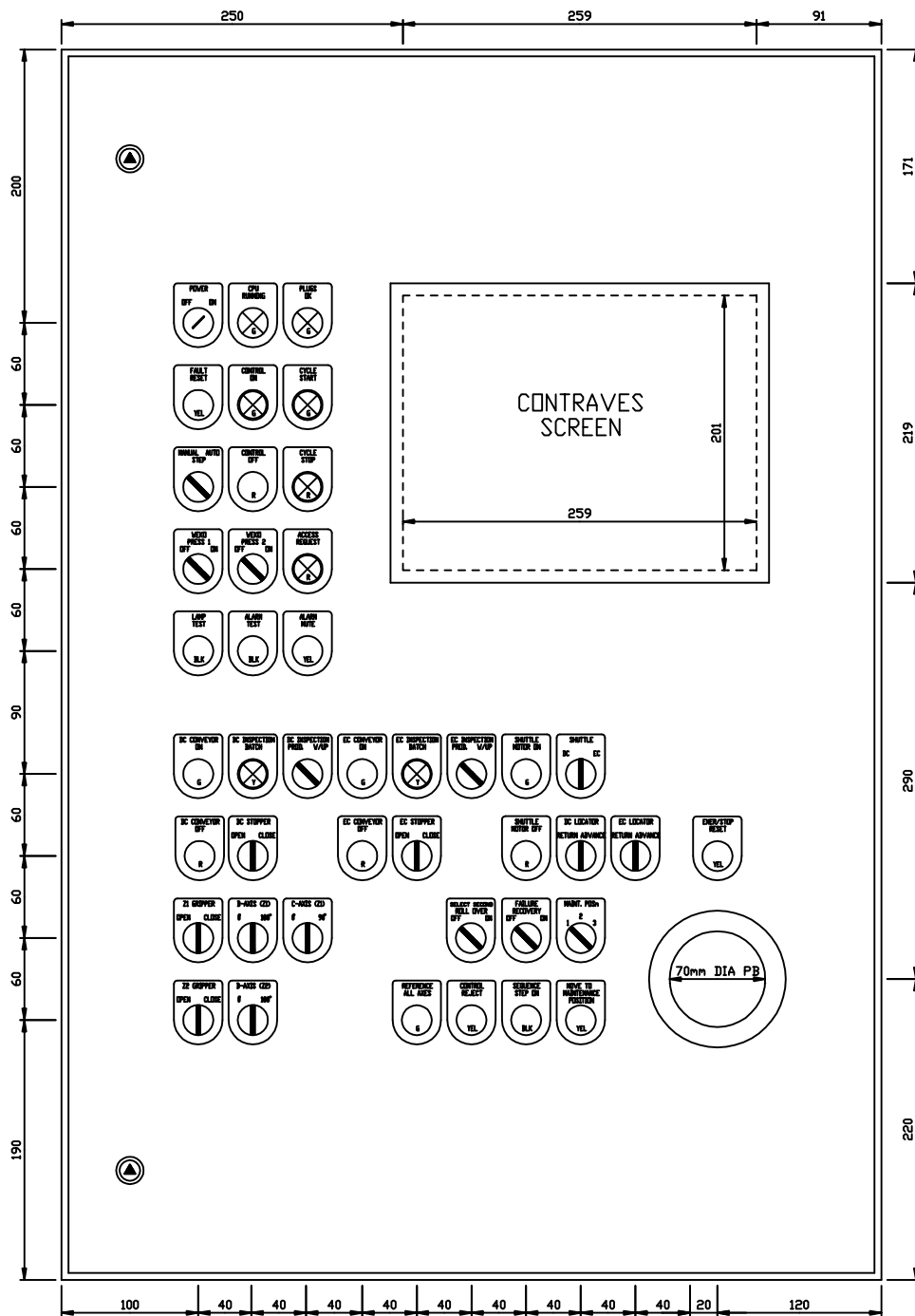

FELSO MAT
 Automation & Engineering
 NISSAN MOTOR MANUFACTURING
 (UK) LIMITED

DE-FLASHING PRESS GANTRY LOADER
 TITLE
 CABINET LAYOUT
 DOOR 2
 SHEET
 105/106
 SHEET

JWF No.F010-4XX-105




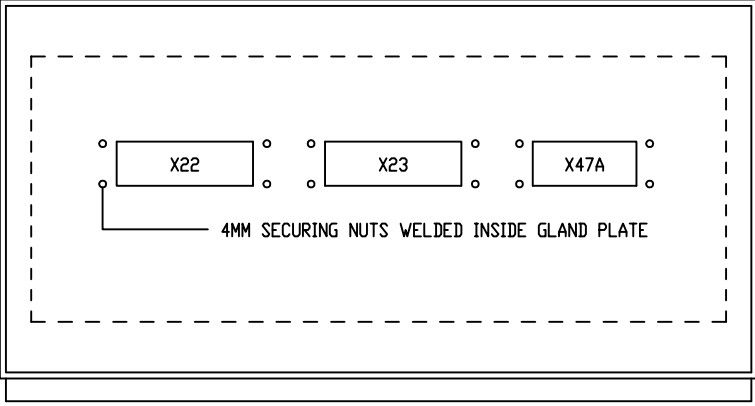
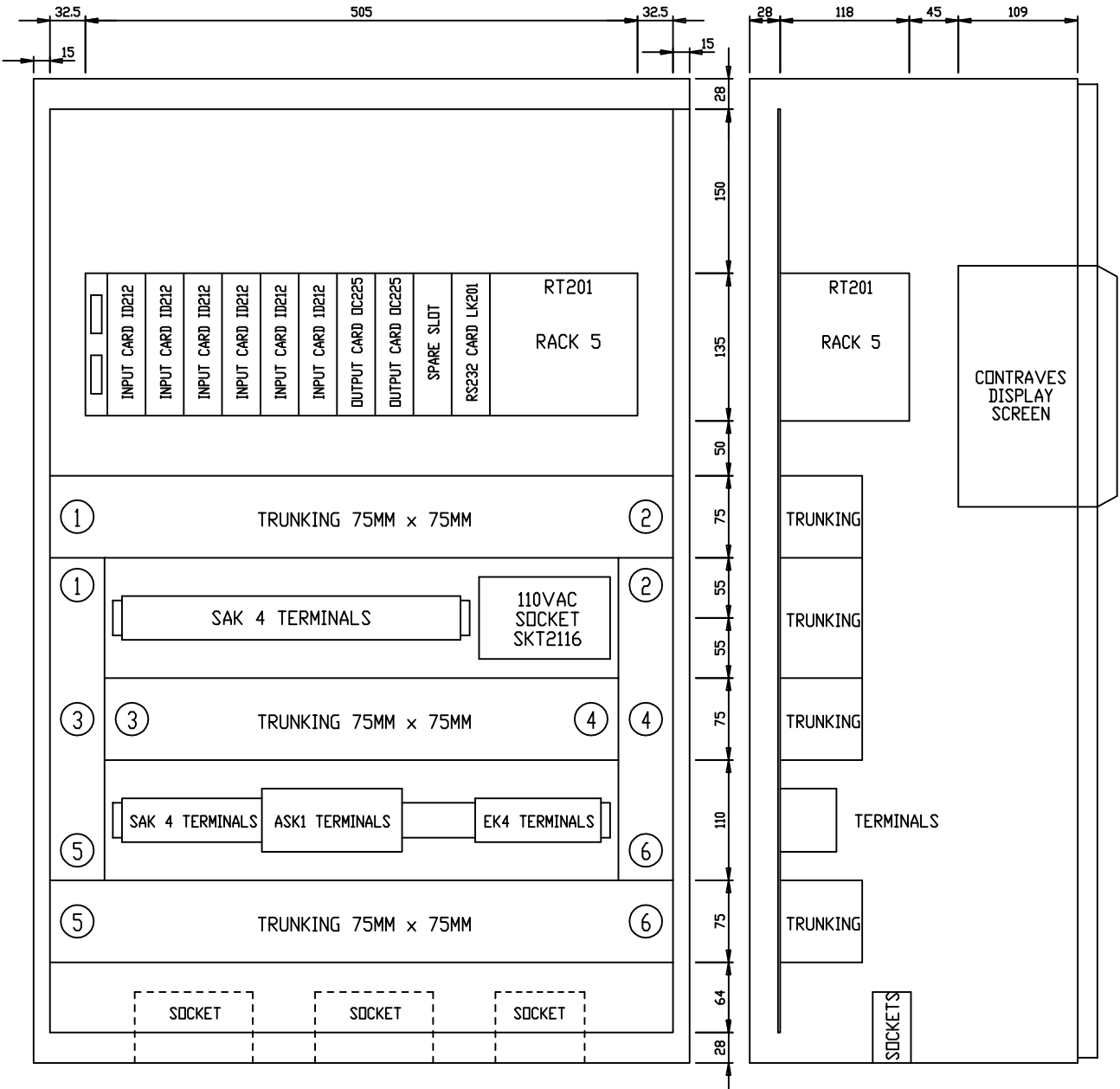
REV./DATE	APRIL 95	20/08/96	SCALE	N.T.S	CLIENT:- NMUK Ltd. TITLE:- DE-FLASHING PRESS GANTRY LOADER CABINET LAYOUT DOOR 3	 SILVERTECH SYSTEMS DESIGNERS • CONTROL ENGINEERS TEL. (01524) 846772	DOCUMENT No. 0043/GANTRY/106-107	SHEET 106/107
DRAWN	A.T (JWF)	R.MAUN	SIZE	A3				
CHECKED	G.B (JWF)		TOLERANCE					
APPROVED			ALL DIMENSIONS IN MILLIMETRES UNLESS OTHERWISE STATED					
ECN No.	F010-401-AC	43GAN106.DWG			DRAWN R.M CHECKED D.P APP'D P.A.M APPROVED DATE: 20/08/96			



GENERAL NOTES:-

1. ALL PUSHBUTTONS, EMERGENCY STOPS, SELECTORS AND LAMPS - HOLE DIA 22.5MM
2. DASHED LINE = CUTOUT FOR CONTRAVES SCREEN WIDTH 259MM x HEIGHT 201MM
3. OVERALL DIMENSIONS HEIGHT 900MM x WIDTH 600MM x DEPTH 300mm
4. PAINT SPECIFICATION EXTERNAL CLEMENTINE ORANGE BS 06E51 - INTERNAL BRILLIANT WHITE BS 00E55
5. DOOR TO BE HINGED RIGHT HAND SIDE AND FITTED WITH EARTH STUD
6. BACK PLATE DIMENSION HEIGHT 844MM x WIDTH 570MM
7. 3-OFF HARTING SOCKETS MOUNTED IN REMOVABLE GLAND PLATE IN BASE OF CONTROL PANEL
8. 1-OFF REMOVABLE GLAND PLATE IN TOP OF CONTROL PANEL
9. 2-OFF 8MM TRIANGULAR LOCKS FITTED LEFT HAND SIDE TOP AND BOTTOM OF DOOR
10. CONTROL PANEL ENCLOSURE MADE TO IP65 SPECIFICATIONS

REV./DATE	APRIL 95	19/08/96	SCALE N.T.S	THIS DRAWING IS THE PROPERTY OF SILVERTECH (NORTHERN) LTD. IT IS SUPPLIED IN CONFIDENCE & MAY NOT BE COPIED OR EXHIBITED WITHOUT WRITTEN PERMISSION.	CLIENT:- NNUK Ltd	 SILVERTECH SYSTEMS DESIGNERS • CONTROL ENGINEERS TEL. (01524) 846772	DOCUMENT No. 0043/GANTRY/107-108	SHEET 107/108		
DRAWN	P.D (JWF)	R.MAUN	SIZE A3		TITLE:- DE-FLASHING PRESS GANTRY LOADER OPERATOR CONSOLE					
CHECKED	G.B (JWF)		TOLERANCE		DRAWN R.M				CHECKED D.P	APP'D P.A.M
APPROVED			ALL DIMENSIONS IN MILLIMETRES UNLESS OTHERWISE STATED		APPROVED DATE: 19/08/96					
ECN No.	F010-401-AC	43GAN108.DWG								



Elect.	<input checked="" type="radio"/>
Hydr.	<input type="radio"/>
Pneum.	<input type="radio"/>
Lubr.	<input type="radio"/>
DATE	APRIL 95

DESIGN	P.D.
DRAWN	
CHECKED	G.B.
APPROVED	

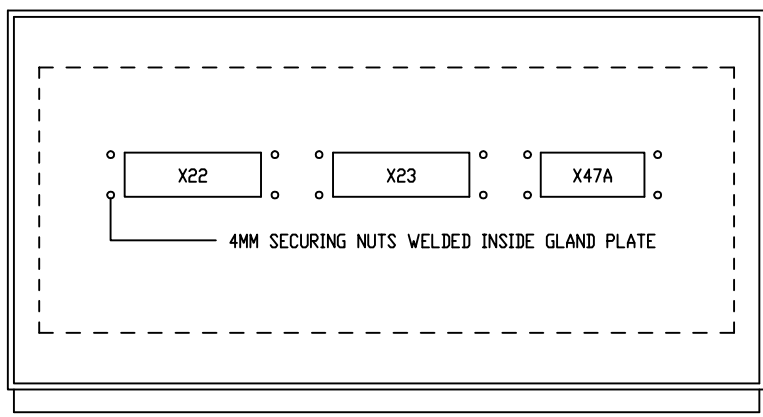
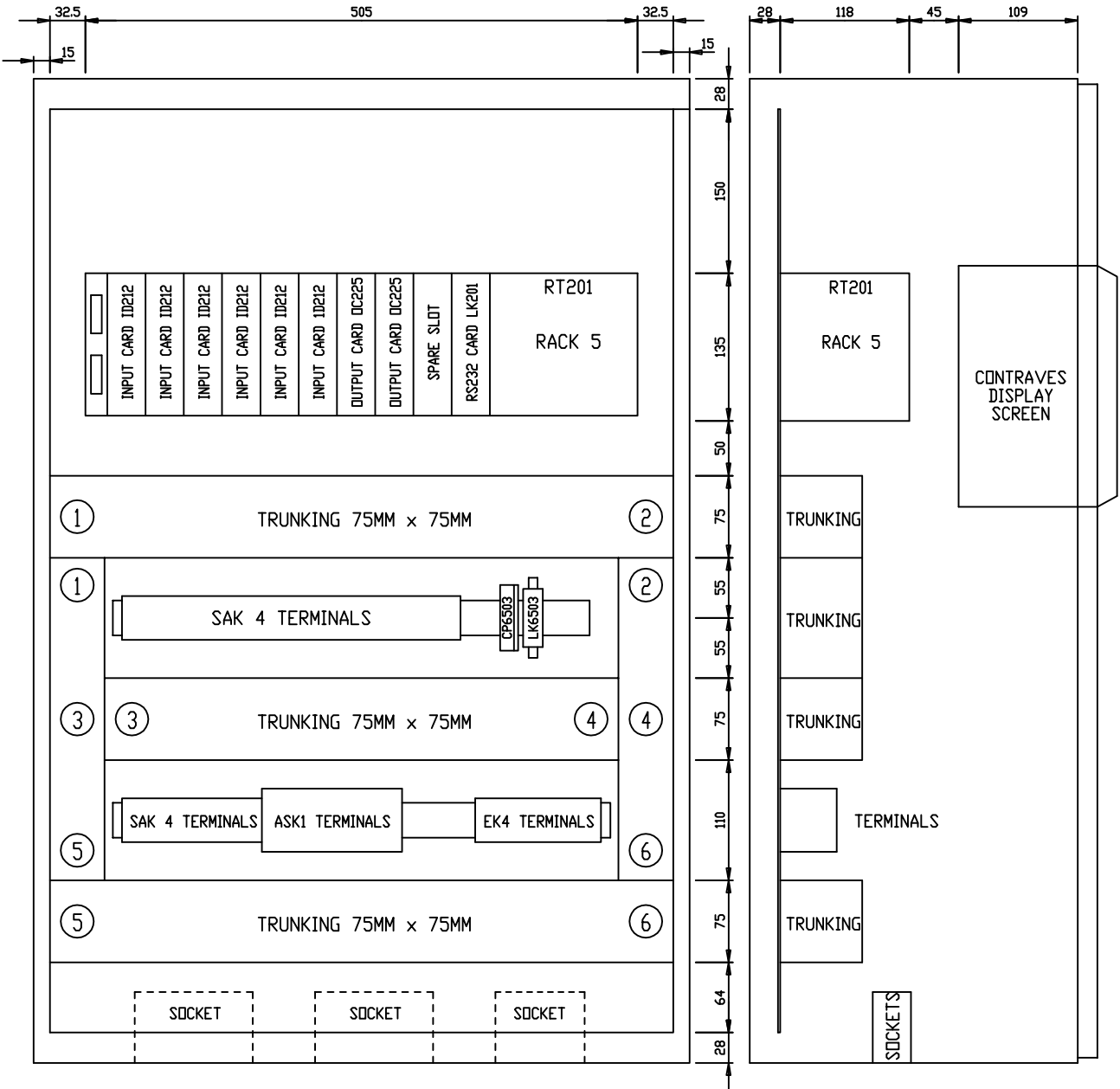
CHANGES	DATE	NAME

DRAWING NO
F010-401-AC

NISSAN MOTOR MANUFACTURING (UK) LIMITED No4870

DE-FLASHING PRESS GANTRY LOADER	
TITLE	SHEET
OPERATOR CONSOLE BACK PLATE LAYOUT	108/109
	SHEET
	.


JWF No.F010-4XX-108



Elect.	<input checked="" type="radio"/>
Hydr.	<input type="radio"/>
Pneum.	<input type="radio"/>
Lubr.	<input type="radio"/>
DATE	APRIL 95

DESIGN	P.D.
DRAWN	
CHECKED	G.B.
APPROVED	

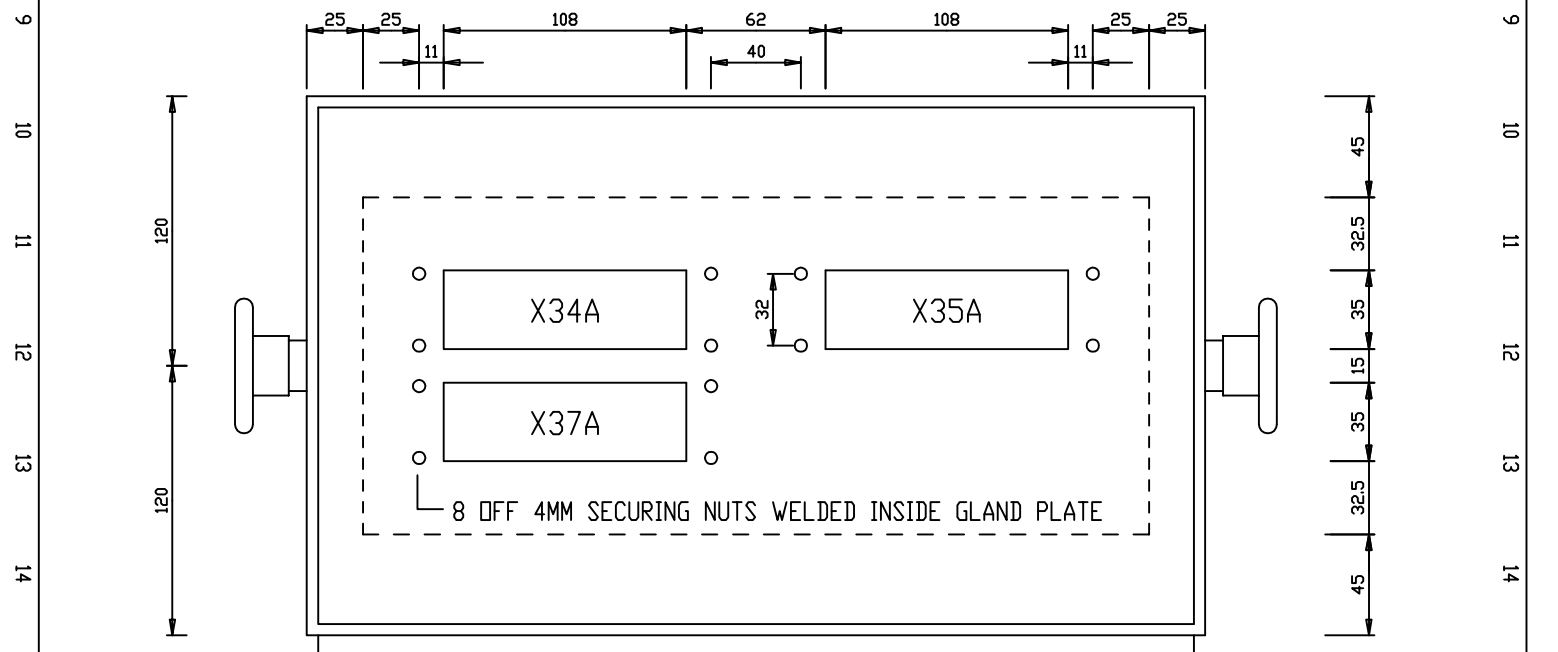
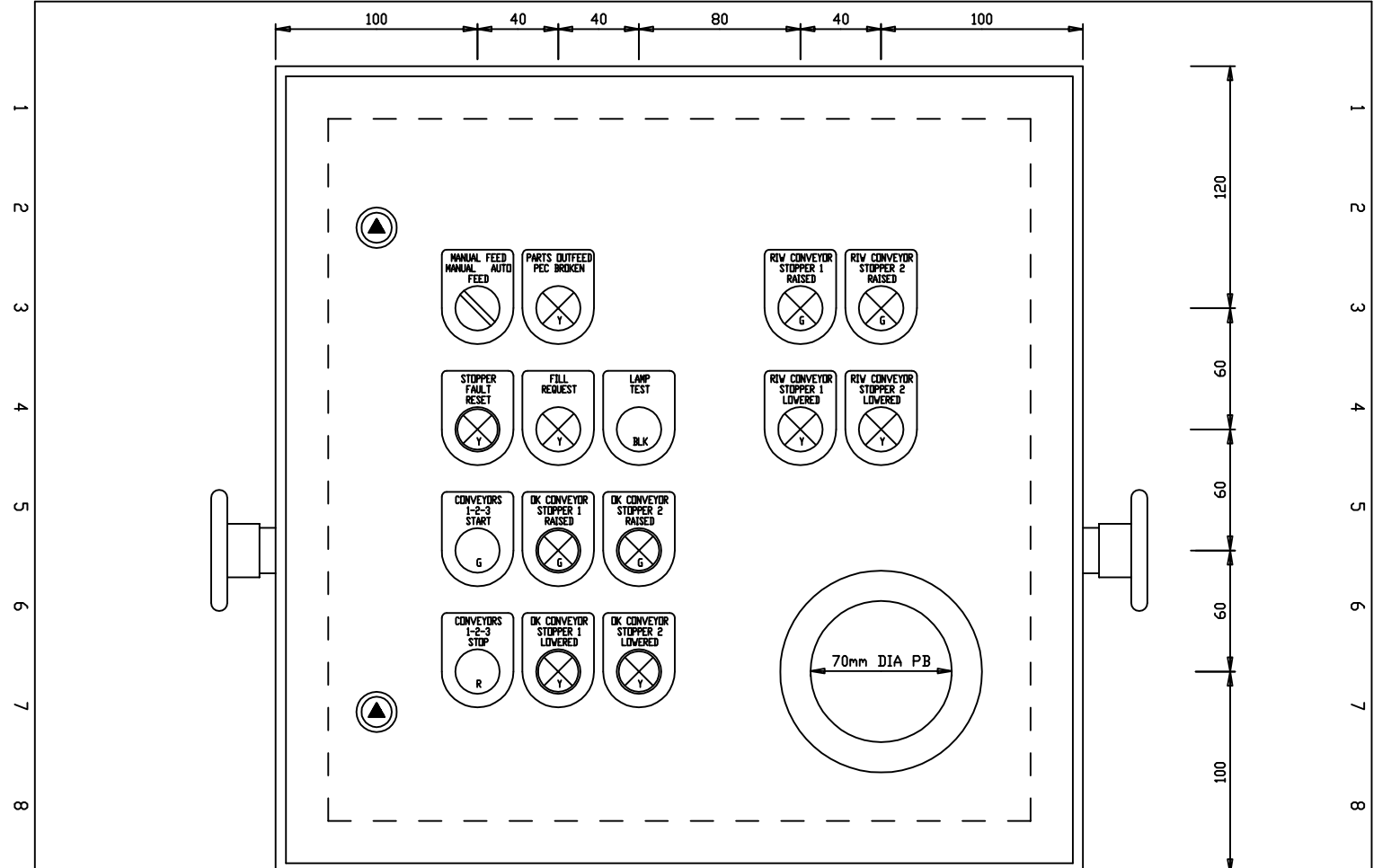
DRAWING NO	F010-401-AC
------------	-------------


FELSO MAT
 Automation & Engineering

NISSAN MOTOR MANUFACTURING
 (UK) LIMITED No4870

DE-FLASHING PRESS GANTRY LOADER	
TITLE	OPERATOR CONSOLE BACK PLATE LAYOUT
SHEET	108/109
SHEET	

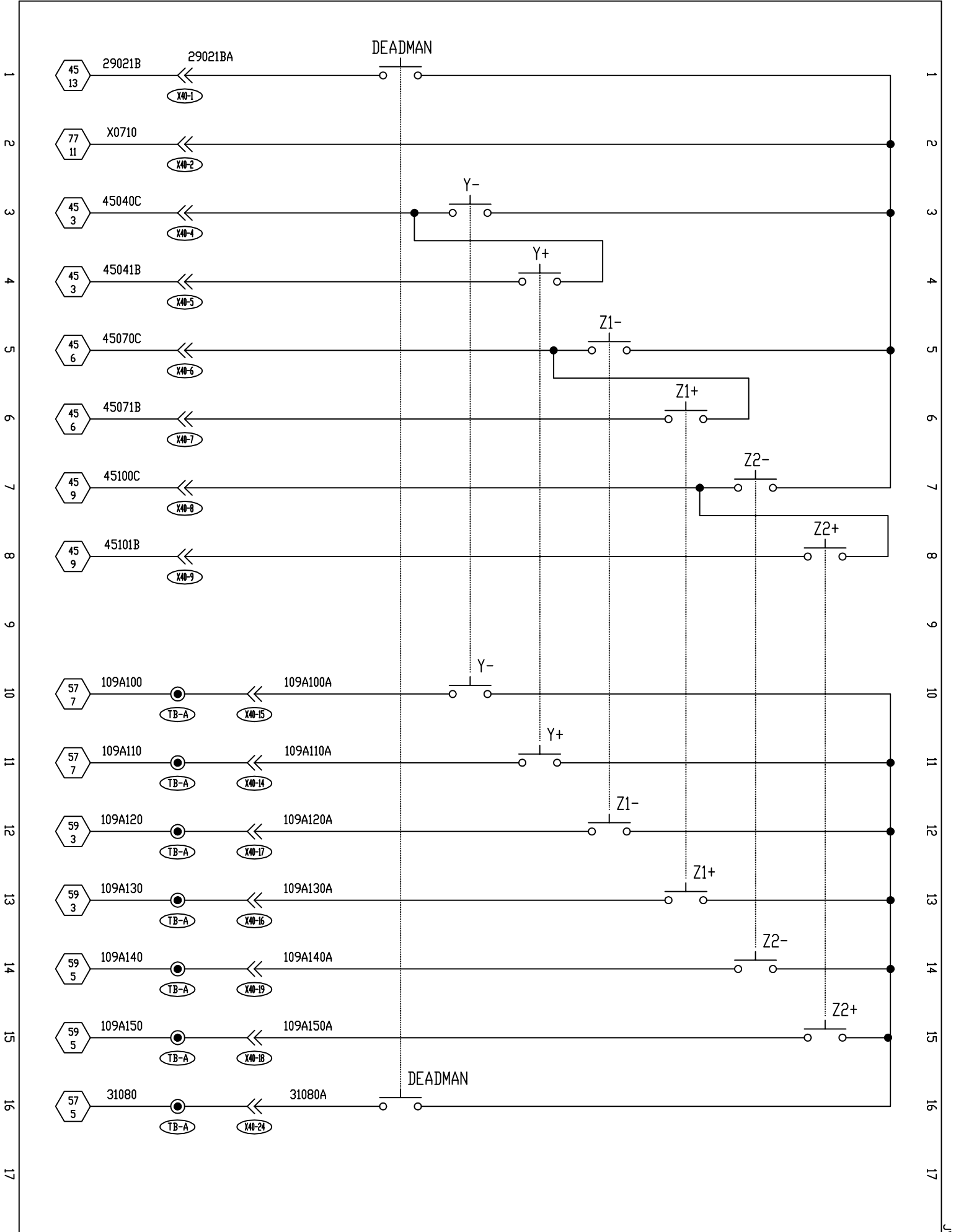
JWF No.F010-4XX-108



- GENERAL NOTES:-
1. ALL PUSHBUTTONS, EMERGENCY STOPS, SELECTORS AND LAMPS - HOLE DIA 22.5MM
 2. OVERALL DIMENSIONS HEIGHT 400MM x WIDTH 400MM x DEPTH 240MM
 3. PAINT SPECIFICATION EXTERNAL CLEMENTINE ORANGE BS 06E51 - INTERNAL BRILLIANT WHITE BS 00E55
 4. DOOR TO BE HINGED RIGHT HAND SIDE AND FITTED WITH EARTH STUD
 5. BACK PLATE DIMENSION HEIGHT 344MM x WIDTH 370MM
 6. 3-OFF HARTING SOCKETS MOUNTED IN REMOVABLE GLAND PLATE IN TOP OF PANEL WIDTH 108MM x HEIGHT 35MM
 7. 1-OFF REMOVABLE GLAND PLATE IN BOTTOM OF PANEL
 8. 2-OFF 8MM TRIANGULAR LOCKS FITTED LEFT HAND SIDE TOP AND BOTTOM OF DOOR
 9. CONTROL PANEL ENCLOSURE MADE TO IP65 SPECIFICATIONS

Elect. <input checked="" type="radio"/>	DESIGN	DATE	CHANGES		DE-FLASHING PRESS GANTRY LOADER	
	P.D.				TITLE	SHEET
Hydr. <input type="radio"/>	DRAWN	NAME		NISSAN MOTOR MANUFACTURING (UK) LIMITED No4870	OUTPUT CONVEYOR CONSOLE	
Pneum. <input type="radio"/>	P.D.				SHEET	
Lubr. <input type="radio"/>	CHECKED				109/109A	SHEET
DATE	G.B.					
APRIL 95	APPROVED	DRAWING NO	F010-401-AC			

JWF No.F010-4XX-109



Elect.
 Hydr.
 Pneum.
 Lubr.
 DATE
 APRIL 95

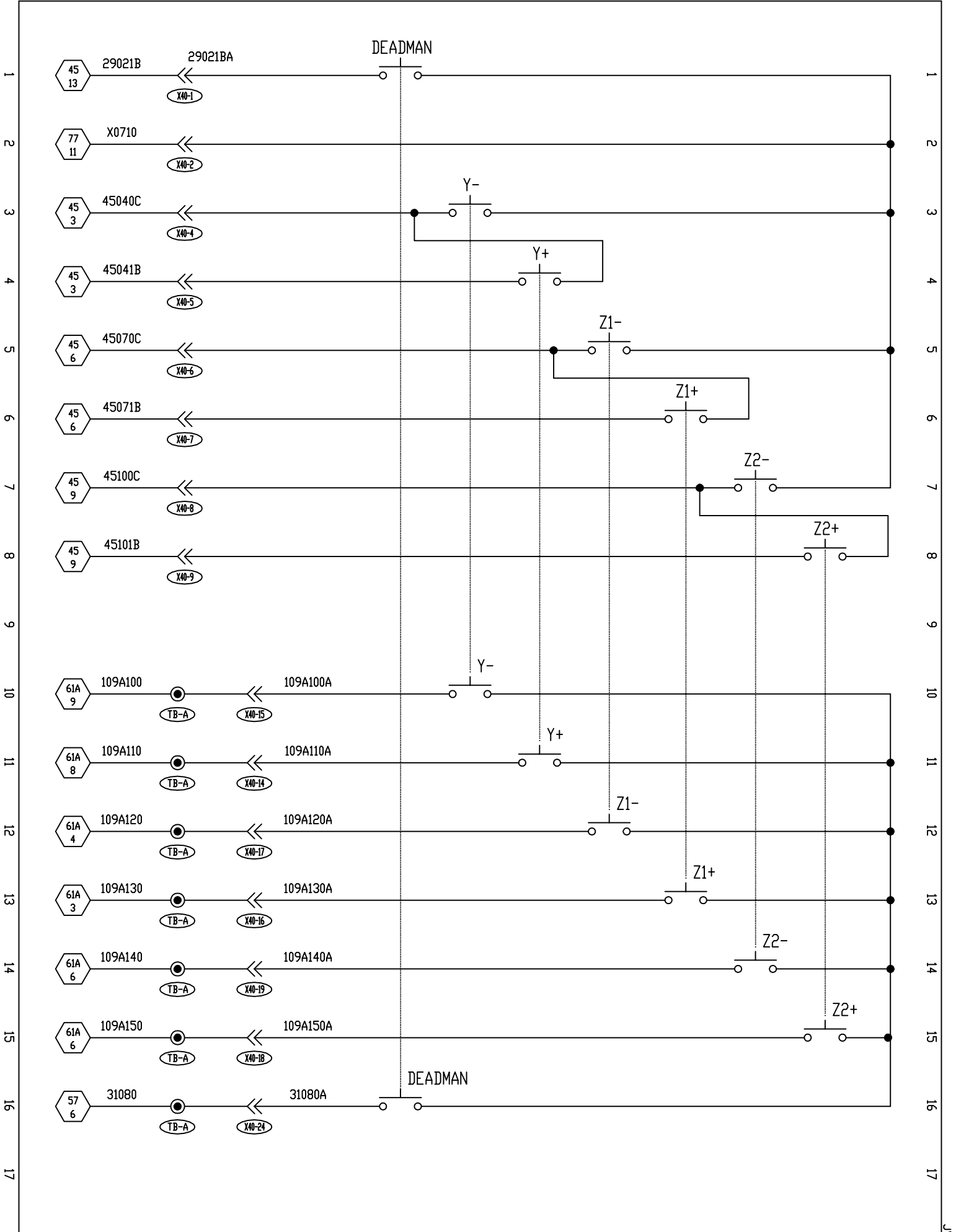
DESIGN	P.D.									DATE	
DRAWN										NAME	
CHECKED	P.D.										
APPROVED	G.B.										
DRAWING NO		F010-401-AA									

FROEHLICH
FELSO MAT
 Automation & Engineering

NISSAN MOTOR MANUFACTURING
 (UK) LIMITED No4870

DE-FLASHING PRESS GANTRY LOADER		SHEET	109A/110
TEACH PENDANT CONNECTIONS		SHEET	.

JWF No F010-4XX-109A



Elect.	<input checked="" type="radio"/>
Hydr.	<input type="radio"/>
Pneum.	<input type="radio"/>
Lubr.	<input type="radio"/>
DATE	APRIL 95

DESIGN	P.D.
DRAWN	
CHECKED	P.D.
APPROVED	G.B.

CHANGES	DATE	NAME
	JUN 12	JAV
DRAWING NO		
F010-401-AA		


FROEHLICH
FELSO MAT
Automation & Engineering

NISSAN MOTOR MANUFACTURING
(UK) LIMITED No4870


DE-FLASHING PRESS GANTRY LOADER	
TITLE	TEACH PENDANT CONNECTIONS
SHEET	109A/110
SHEET	

JWF No F010-4XX-109A


ITEM No.	DESCRIPTION	MANUFACTURERS NAME	IDENTIFICATION DATA Type/ Order No/ Drawing No/ Std Reference Required Technical Data	BRITISH/ EUROPEAN STANDARD No.	QTY	DESIGNATION ON DIAGRAM	SCHEMATIC DIAGRAM sheet/line	LOCATION e.g control console	NOTES
1	CONTROL CABINET (2200 x 2800 x 500)	JWF	STD 11-090		1			TB-A	
2	3-POINT CAM	EMKA	1000-U33		3			TB-A	
3	ROUND RODS	EMKA	900-1049-U6		6			TB-A	
4	ADAPTOR FOR RODS	EMKA	1000-U49		6			TB-A	
5	ROD GUIDE	EMKA	1001-U12		6			TB-A	
6	PROFILE CYLINDER	EMKA	1109-U9		3			TB-A	
7	SWING HANDLE	EMKA	1107-U1		3			TB-A	
8	8mm TRIANGULAR KEY	EMKA	1000-U4		1			TB-A	
9	MAIN CIRCUIT BREAKER	SQUARE D	SFAL 3040	IEC 157-1 BS4752 Part1	1	MCCB2003	20/3	TB-A	
10	HANDLE ASSEMBLY	SQUARE D	LN-1		1	MCCB2003	20/3	TB-A	
11	FLUORESCENT LIGHT	RITTAL	PS 4112/GB 110V		3	LT2113,LT2114 LT2115	21/13,14 21/15	TB-A	
12	DOOR LIMIT SWITCH BODY	TELEMECANIQUE	ZCK-SH29	ENS0041	3	LSW2113,LSW2114 LSW2115	21/13,14 21/15	TB-A	
13	DOOR LIMIT SWITCH LEVER	TELEMECANIQUE	ZCK-Y41		3	LSW2113,LSW2114 LSW2115	21/13,14 21/15	TB-A	
14	DOOR LIMIT SWITCH HEAD	TELEMECANIQUE	ZCK-D05		3	LSW2113,LSW2114 LSW2115	21/13,14 21/15	TB-A	
15	TECHLINE MINI HEAT EXCHANGER	RITTAL	SK3238		1	HEX2103	21/3	TB-A	
16	TERMINAL SHROUDS	SQUARE D	FCAI		1	MCCB2003	20/3	TB-A	

Elect. <input checked="" type="radio"/>	DESIGN P.D.	DRAWING No F010-401-AA	 <p>NISSAN MOTOR MANUFACTURING (UK) LIMITED No4870</p>	DE-FLASHING PRESS GANTRY LOADER CONTROL CABINET STOCKLIST	SHEET 110/111
Hydr. <input type="radio"/>	DRAWN P.D.				SHEET
Pneum. <input type="radio"/>	CHECKED G.B.				SHEET
Lubr. <input type="radio"/>	APPROVED				
DATE APRIL 95					


ITEM No.	DESCRIPTION	MANUFACTURERS NAME	IDENTIFICATION DATA Type/ Order No/ Drawing No/ Std Reference Required Technical Data	BRITISH/ EUROPEAN STANDARD No.	QTY	DESIGNATION ON DIAGRAM	SCHEMATIC DIAGRAM sheet/line	LOCATION e.g. control console	NOTES
20	TRANSFORMER	TEC	400-415-440V SINGLE PHASE 1.0KVVA 110V 50Hz SECONDARY (WITH TOUCHPROOF TERMINALS)		1	TX2107	21/7	TB-A	
21	TRANSFORMER	TEC	400-415-440V SINGLE PHASE 0.5KVVA 110V 50Hz SECONDARY (WITH TOUCHPROOF TERMINALS)		1	TX2202	22/2	TB-A	
22	POWER SUPPLY	MURRELEKTRONIC	MDG 415V PRIMARY 24VDC SECONDARY-30AMP 85785	VDE 0551 DIN 19420	1	PS2302	23/2	TB-A	
23	NEUTRAL LINK HOLDER	GEC	RS63H WHITE	BS 88	1	LK2003	20/3	TB-A	
24	NEUTRAL LINK HOLDER	GEC	RS20H WHITE	BS 88	21	LK2011,LK2103 LK2109,LK2112 LK2113,LK2202 LK2310,LK2802 LK2702,LK2902 LK2905,LK2907 LK2910,LK3002 LK3005,LK3008 LK3102,LK3105 LK3108,LK3111 LK3113	20/13,21/4 21/9,21/12 21/12,22/3 23/11,28/3 27/3,29/3 29/6,29/9 29/12,30/3 30/6,30/9 31/3,31/6 31/9,31/12 31/15	TB-A	
25	COPPER LINK FOR RS63H HOLDER	GEC	P-110 153-10		1	LK2003	20/3	TB-A	
26	COPPER LINK FOR RS20H HOLDER	GEC	P-110 151-10		21	LK2011,LK2103 LK2109,LK2112 LK2113,LK2202 LK2310,LK2802 LK2702,LK2902 LK2905,LK2907 LK2910,LK3002 LK3005,LK3008 LK3102,LK3105 LK3108,LK3111 LK3113	20/13,21/4 21/9,21/12 21/12,22/3 23/11,28/3 27/3,29/3 29/6,29/9 29/12,30/3 30/6,30/9 31/3,31/6 31/9,31/12 31/15	TB-A	
27	NEUTRAL LINK HOLDER	GEC	RS32H WHITE	BS 88	1	LK2302	23/3	TB-A	
28	COPPER LINK FOR RS32H HOLDER	GEC	P-110 152-10		1	LK2302	23/3	TB-A	

Elect. <input checked="" type="radio"/>	DESIGN P.D.	DRAWING No F010-401-AC	 NISSAN MOTOR MANUFACTURING (UK) LIMITED No4870	DE-FLASHING PRESS GANTRY LOADER	TITLE	SHEET 111/112
Hydr. <input type="radio"/>	DRAWN P.D.			CONTROL CABINET STOCKLIST	SHEET	
Pneum. <input type="radio"/>	CHECKED G.B.					
Lubr. <input type="radio"/>	APPROVED					
DATE APRIL 95						


ITEM No.	DESCRIPTION	MANUFACTURERS NAME	IDENTIFICATION DATA Type/ Order No/ Drawing No/ Std Reference Required Technical Data	BRITISH/ EUROPEAN STANDARD No.	QTY	DESIGNATION ON DIAGRAM	SCHEMATIC DIAGRAM sheet/line	LOCATION e.g. control console	NOTES
30	KILOWATT HOUR METER 4 WIRE UNBALANCED TYPE 415V - 50HZ	RAYLEIGH INSTRUMENTS	MDVS 221/6		1	KWH2006	20/6	TB-A	
31	CURRENT TRANSFORMER RATIO 50/5A	RAYLEIGH INSTRUMENTS	TAS 20B		3	CT2007,CT2008 CT2009	20/7,20/8 20/9	TB-A	
32	SINGLE SOCKET OUTLET	HARVEY HUBBELL	5251		1	SKT2114	21/14	TB-A	
33	SOCKET BOX	HARVEY HUBBELL	19000		1	SKT2114	21/14	TB-A	
34	SOCKET LID	HARVEY HUBBELL	19021		1	SKT2114	21/14	TB-A	
35	1 POLE 1 AMP MCB	SIEMENS	SSX2 101-7	EN60898 VDE 0641	3	CB2103, CB2310 CB2702,	21/3,23/10 27/2	TB-A	
36	3 POLE 1 AMP MCB	SIEMENS	SSX2 301-7	EN60898 VDE 0641	1	CB2011	20/11	TB-A	
37	1 POLE 2 AMP MCB	SIEMENS	SSX2 102-7	EN60898 VDE 0641	5	CP2802,CP3102 CP3108,CP3111 CP3113	28/2,31/2 31/8,31/11 31/13	TB-A	
38	3 POLE 10 AMP MCB	SIEMENS	SSX2 310-7	EN60898 VDE 0641	1	CB2302	23/2	TB-A	
39	1 POLE 4 AMP MCB	SIEMENS	SSX2 104-7	EN60898 VDE 0641	4	CP2202, CP3105 CP3005, CP3008	22/2,31/5 30/5,30/8	TB-A	
40	2 POLE 4 AMP MCB	SIEMENS	SSX2 204-7	EN60898 VDE 0641	1	CB2202	22/2	TB-A	

Elect. <input checked="" type="radio"/> P.D. Hydr. <input type="radio"/> P.D. Pneum. <input type="radio"/> G.B. Lubr. <input type="radio"/> G.B.	DESIGN DRAWN CHECKED APPROVED	DRAWING No F010-401-AC	CHANGES DATE NAME	 NISSAN MOTOR MANUFACTURING (UK) LIMITED No4870	DE-FLASHING PRESS GANTRY LOADER TITLE CONTROL CABINET STOCKLIST	SHEET 112/113 SHEET
---	--	----------------------------------	-----------------------------	---	---	----------------------------------


ITEM No.	DESCRIPTION	MANUFACTURERS NAME	IDENTIFICATION DATA Type/ Order No/ Drawing No/ Std Reference Required Technical Data	BRITISH/ EUROPEAN STANDARD No.	QTY	DESIGNATION ON DIAGRAM	SCHEMATIC DIAGRAM sheet/line	LOCATION e.g. control console	NOTES
41	1 POLE 6 AMP MCB	SIEMENS	SSX2 106-7	EN60898 VDE 0641	7	CP2112, CP2113 CP2902, CP2905 CP2907, CP2910 CP3002	21/12,21/12 29/2,29/5 29/7,29/10 30/2	TB-A	
42	1 POLE 10 AMP MCB	SIEMENS	SSX2 110-7	EN60898 VDE 0641	1	CP2109	21/9	TB-A	
43	2 POLE 10 AMP MCB	SIEMENS	SSX2 210-7	EN60898 VDE 0641	1	CB2107	21/7	TB-A	
44	3 POLE 16 AMP MCB	SIEMENS	SSX2 316-7	EN60898 VDE 0641	1	CB2306	23/6	TB-A	
45	1 POLE 32 AMP MCB	SIEMENS	SSX2 132-7	EN60898 VDE 0641	1	CP2302	23/2	TB-A	
46	AUXILIARY CONTACT BLOCK	SIEMENS	SSX91 00		21	CB2011, CB2103 CB2107, CP2109 CP2112, CP2113 CB2306, CB2310 CP2702, CP2902 CP2905, CP2907 CP2910, CP3002 CP3005, CP3008 CP3102, CP3105 CP3108, CP3111 CP3113	20/11,21/3 21/7,21/9 21/12,21/13 23/6,23/10 27/2,29/2 29/5,29/7 29/10,30/2 30/5,30/8 31/2,31/5 31/8,31/11 31/13	TB-A	
47	3 POLE MOTOR PROTECTED CIRCUIT BREAKER SETTING RANGE 0.4 - 0.6 AMPS	SIEMENS	3VU13 00-1ME00	IEC 157-1 VDE 0660	1	CB2412	24/12	TB-A	
48	3 POLE MOTOR PROTECTED CIRCUIT BREAKER SETTING RANGE 1 - 1.6 AMPS	SIEMENS	3VU13 00-1MG00	IEC 157-1 VDE 0660	3	CB2502, CB2510 CB2602	25/2,25/10 26/2	TB-A	
49	3 POLE 4KW CONTACTOR COIL VOLTAGE 24VDC	TELEMECANIQUE	LP1-D1810BD		1	CR4406	44/6	TB-A	

Elect. <input checked="" type="radio"/>	DESIGN P.D.	DRAWING No F010-401-AC	 <p>NISSAN MOTOR MANUFACTURING (UK) LIMITED No4870</p>	DE-FLASHING PRESS GANTRY LOADER CONTROL CABINET STOCKLIST	SHEET 113/114
Hydr. <input type="radio"/>	DRAWN P.D.				SHEET
Pneum. <input type="radio"/>	CHECKED G.B.				SHEET
Lubr. <input type="radio"/>	APPROVED				
DATE APRIL 95					


ITEM No.	DESCRIPTION	MANUFACTURERS NAME	IDENTIFICATION DATA Type/ Order No/ Drawing No/ Std Reference Required Technical Data	BRITISH/ EUROPEAN STANDARD No.	QTY	DESIGNATION ON DIAGRAM	SCHEMATIC DIAGRAM Sheet/line	LOCATION e.g. control console	NOTES
50	MOTOR CONTACTOR COIL VOLTAGE 24VDC	TELEMECANIQUE	LP1-D0901BD		7	MY0609, MY1800 MY1801, MY1802 MY1803, MY1804 MY1805	76/10,88/1 88/2,88/3 88/4,88/5 88/6	TB-A	
51	3 POLE CONTACTOR COIL VOLTAGE 24VDC	TELEMECANIQUE	LP1-D3210BD		1	CR3310	33/10	TB-A	
52	AUXILIARY CONTACT BLOCK 2ND - 2NC	TELEMECANIQUE	LA1-DN22		6	SR3314, SR4312 SR4314, CR4406 MA5B06, SR5802	33/14,43/12 43/14,44/6 45B/6,58/2	TB-A	
53	COIL SUPPRESSOR MODULE VARISTOR (PEAK LIMITING)	TELEMECANIQUE	LA4-DE2E		14	CR3310, SR3412 SR3414, SR4312 SR4314, CR4406 MA5B06, MY0609 MY1800, MY1801 MY1802, MY1803 MY1804, MY1805	33/10,34/12 34/14,43/12 43/14,44/6 45B/6,76/10 88/1,88/2 88/3,88/4 88/5,88/6	TB-A	
54	CONTROL RELAYS COIL VOLTAGE 24VDC	TELEMECANIQUE	CA3-DN31BD		18	SR3302, SR3314 SR4113, SR4115 SR41A13, SR41A15 SR41B13, SR41B15 SR41C13, SR41C15 TR45B02, SR4608 SR4612, SR5802 SR5804, CRV0601 CRV0603, CRV0604	33/2,33/14 41/13,41/15 41A/13,41A/15 41B/13,41B/15 41C/13,41C/15 45B/2,46/8 46/12,58/2 58/4,76/2 76/4,76/5	TB-A	
55	FAST ACTING RELAY 24VDC	MURRELEKTRONIK	RMM 11-24 No.51551		3	CR5912, CR5913 CR5804	59/12,59/13 58/4	TB-A	
56	3 POLE 4KW CONTACTOR COIL VOLTAGE 24VDC	TELEMECANIQUE	LP1-D1801BD		5	SR3412, SR3414 SR4312, SR4314 MA5B06	34/12,34/14 43/12,43/14 45B/6	TB-A	
57	ELECTRONIC TIMER OFF DELAY	TELEMECANIQUE	LA3-DR0		1	TR45B02	45B/2	TB-A	
58	FLUSH PUSHBUTTON BLACK	TELEMECANIQUE	ZB2-BA2		1	PB5501	55/1	TB-A	

DESIGN P.D. <input checked="" type="radio"/>		DRAWING No F010-401-AC	 NISSAN MOTOR MANUFACTURING (UK) LIMITED No4870	DE-FLASHING PRESS GANTRY LOADER		SHEET 114/115	
DRAWN P.D. <input type="radio"/>				CONTROL CABINET STOCKLIST		SHEET	
CHECKED G.B. <input type="radio"/>				DATE NAME			
APPROVED				DATE		APRIL 95	


ITEM No.	DESCRIPTION	MANUFACTURERS NAME	IDENTIFICATION DATA Type, Order No, Drawing No, Std Reference Required Technical Data	BRITISH/ EUROPEAN STANDARD No.	QTY	DESIGNATION ON DIAGRAM	SCHEMATIC DIAGRAM sheet/line	LOCATION e.g. control console	NOTES
60	CONTROL RELAY 24VDC	DMRON	MY4N 24VDC		46	CR3503, CR3506 CR3509, CR3512	35/3, 35/6 35/9,35/12	TB-A	
						CR3515, CR3603 CR3606, CR3609	35/15,36/3 36/6,36/9		
						CR3612, CR3615	36/12,36/15		
						CR3703, CR3706	37/3,37/6		
						CR3708, CR3710	37/8,37/10		
						CR3712, CR3714	37/12,37/14		
						CR3802, CR3804	38/2,38/4		
						CR3808, CR3811	38/8,38/11		
						CR3814, CR3815	38/14,38/15		
						CR3904, CR3908	39/4,39/8		
						CR4504, CR4507	45/4,45/7		
						CR4510, CR4813	45/10,48/13		
						CR4814, CR5213	48/14,52/13		
						CR5214, CRY0500	52/14,75/1		
						CRY0501,CRY0502	75/2,75/3		
						CRY0503,CRY0508	75/4,75/9		
						CRY0509,CRY0510	75/10,75/11		
						CRY0511,CRY0605	75/12,76/6		
						CRY0606,CRY0608	76/7,76/9		
						CRY0612,CRY0613	76/13,76/14		
						CRY0614,CRY0615	76/15,76/16		
61	RELAY SOCKET	DMRON	PYF14A-E		46	AS ABOVE		TB-A	
62	CLIP FOR RELAY	DMRON	PYC-A1		92	AS ABOVE		TB-A	
63	EMERGENCY STOP SAFETY RELAY	PILZ	PNDZ 4 24VDC		2	SR3402,SR4302	39/2,43/2	TB-A	
64	TWO HAND START SAFETY RELAY	PILZ	P2HZ/5/24VDC		1	SR46A02	46A/2	TB-A	
65	GATE MONITOR SAFETY RELAY	PILZ	PST2/24VDC		5	SR4102, SR41A02 SR41B02,SR41C02	41/2,41A/2 41B/2,41C/2	TB-A TB-A	
66	CONTACT BLOCK 2 N/C	SIEMENS	3SB1400-DH		3	ESX0003	41E/02	TB-A	
67	CONTACT BLOCK 2 N/O	SIEMENS	3SB1400-DG		2	ESX0003	40/2	TB-A	

Elect. <input checked="" type="radio"/>		DESIGN P.D. DRAWN P.D. CHECKED G.B. APPROVED	DRAWING No F010-401-AB	CHANGES <table border="1"> <tr> <th>DATE</th> <th>NAME</th> </tr> <tr> <td>AUG 02</td> <td>DCS</td> </tr> </table>	DATE	NAME	AUG 02	DCS	 <p>NISSAN MOTOR MANUFACTURING (UK) LIMITED No4870</p>	DE-FLASHING PRESS GANTRY LOADER CONTROL CABINET STOCKLIST	SHEET 115/116
DATE	NAME										
AUG 02	DCS										
Hydr. <input type="radio"/>	SHEET										
Pneum. <input type="radio"/>											
Lubr. <input type="radio"/>											
DATE APRIL 95											

ITEM No.	DESCRIPTION	MANUFACTURERS NAME	IDENTIFICATION DATA Type, Order No, Drawing No, Std Reference Required Technical Data	BRITISH/ EUROPEAN STANDARD No.	QTY	DESIGNATION ON DIAGRAM	SCHEMATIC DIAGRAM sheet/line	LOCATION e.g. control console	NOTES
68	70MM RED MUSHROOM HEAD PUSH-PULL PUSHBUTTON	SIEMENS	3S81000-1HC		1	ESX0003	40/2	TB-A	
69	CONTACT BLOCK HOLDER	SIEMENS	3S81902-1AF		1	ESX0003	40/2	TB-A	
70	2 POSITION SELECTOR	TELEMECANIQUE	ZB2-BD2		1	SS2116	21/16	TB-A	
71	3 POSITION SELECTOR	TELEMECANIQUE	ZB2-BD3		1	SS5702	57/2	TB-A	
72	PILOT LIGHT HEAD WHITE	TELEMECANIQUE	ZB2-BV01		1	LT3312	33/12	TB-A	
73	BODY ASSEMBLY WITH IND CONTACT BLOCK	TELEMECANIQUE	ZB2-BZ101		3	SS2116, PB5501 SS5702	21/16,55/1 57/2	TB-A TB-A	
74	AUXILIARY CONTACT BLOCK IND	TELEMECANIQUE	ZB2-BE101		1	SS5702	40/2	TB-A	
75	AUXILIARY CONTACT BLOCK INC	TELEMECANIQUE	ZB2-BE102		2	SS5702	40/2	TB-A	
76	PILOT LIGHT BODY	TELEMECANIQUE	ZB2-BV6		1	LT3312	33/12	TB-A	
77	BULB 24V	TELEMECANIQUE	DL1-CE024		1	LT3312	33/12	TB-A	
78	CIRCULAR LEGEND PLATE 90MM DIA	TELEMECANIQUE	ZB2-BY8330		1	ESX0003	40/2	TB-A	
79	METAL CONTROL STATION ENCLOSURE	TELEMECANIQUE	XAP-M1502H29		1	PB5501, SS5702	55/1,57/2	TB-A	


Elect. <input checked="" type="radio"/> P.D. Hydr. <input type="radio"/> P.D. Pneum. <input type="radio"/> G.B. Lubr. <input type="radio"/> G.B.	DESIGN DRAWN CHECKED APPROVED	DRAWING No F010-401-AB	CHANGES DATE NAME	 FROEHLICH PILSOMAT Automation & Engineering	DE-FLASHING PRESS GANTRY LOADER TITLE CONTROL CABINET STOCKLIST	SHEET 116/117 SHEET
---	--	----------------------------------	-------------------------	---	--	----------------------------------

ITEM No.	DESCRIPTION	MANUFACTURERS NAME	IDENTIFICATION DATA Type/ Order No/ Drawing No/ Std Reference Required Technical Data	BRITISH/ EUROPEAN STANDARD No.	QTY	DESIGNATION ON DIAGRAM	SCHEMATIC DIAGRAM sheet/line	LOCATION e.g control console	NOTES
80	24 WAY OPEN TYPE BULKHEAD HOUSING (HAN 24 E)	HARTING	09 30 024 0301		19	X1.X2.X3.X4.X5 X6.X7.X8.X9.X10		TB-A	
81	16 WAY OPEN TYPE BULKHEAD HOUSING (HAN 16 E)	HARTING	09 30 016 0301		5	X20.X21.X45.X46, X47		TB-A	
82	24 WAY FEMALE INSERT RIGHT HAND VERSION (HAN E AV)	HARTING	09 33 024 4731		17	X1.X2.X3.X4.X5 X6.X7.X8.X9.X10 X11.X12.X13.X15 X16.X18.X19		TB-A	
83	24 WAY MALE INSERT RIGHT HAND VERSION (HAN E AV)	HARTING	09 33 024 4631		2	EA,EB		TB-A	
84	16 WAY FEMALE INSERT RIGHT HAND VERSION (HAN E AV)	HARTING	09 33 016 4731		5	X20.X21.X45.X46, X47		TB-A	
85	24 WAY MALE INSERT (HAN 24 E)	HARTING	09 33 024 2601		18	X1.X2.X3.X4.X5 X6.X7.X8.X9.X10 X11.X12.X13.X15 X16.X18.X19.X30		TB-A	
86	24 WAY FEMALE INSERT (HAN 24 E)	HARTING	09 33 024 2701		3	EA,EB,X30		TB-A	
87	16 WAY MALE INSERT (HAN 16 E)	HARTING	09 33 016 2601		5	X20.X21.X45.X46, X47		TB-A	
88	24 WAY HOOD (HAN 24 E)	HARTING	09 30 024 1520		20	X1.X2.X3.X4.X5 X6.X7.X8.X9.X10 X11.X12.X13.EA X15.X16.EB.X18 X19.X30		TB-A	
89	16 WAY HOOD (HAN 16 E)	HARTING	09 30 016 1520		5	X20.X21.X45.X46 X47		TB-A	

Elect. <input checked="" type="radio"/>	DESIGN P.D.	DRAWING No F010-401-AC	 NISSAN MOTOR MANUFACTURING (UK) LIMITED No4870	DE-FLASHING PRESS GANTRY LOADER CONTROL CABINET STOCKLIST	SHEET 117/118
Hydr. <input type="radio"/>	DRAWN P.D.				SHEET
Pneum. <input type="radio"/>	CHECKED G.B.				SHEET
Lubr. <input type="radio"/>	APPROVED				
DATE APRIL 95					


JWF No.F010-4XX-117

ITEM No.	DESCRIPTION	MANUFACTURERS NAME	IDENTIFICATION DATA Type/ Order No/ Drawing No/ Std Reference Required Technical Data	BRITISH/ EUROPEAN STANDARD No.	QTY	DESIGNATION ON DIAGRAM	SCHEMATIC DIAGRAM sheet/line	LOCATION e.g control console	NOTES
90	METAL SCREENED 37 WAY HOODS	RS COMPONENTS	454-946		3	CLM - X70 CLM - X71 CLM - X72	57/2 58/2 59/2	TB-A TB-A TB-A	
91	37 WAY D TYPE PLUG	RS COMPONENTS	465-312		3	CLM - X70 CLM - X71 CLM - X72	57/2 58/2 59/2	TB-A TB-A TB-A	
92	24 WAY SURFACE MOUNTED HOUSING (HAN 24 E)	HARTING	09 30 024 1230		1	X30		TB-A	
93	BETADUCT TRUNKING OPEN SLOT GREY 125x75	CRITCHLEY	09418		2MTRS			TB-A	
94	BETADUCT TRUNKING OPEN SLOT GREY 75x75	CRITCHLEY	09198		6MTRS			TB-A	
95	BETADUCT TRUNKING OPEN SLOT GREY 50x75	CRITCHLEY	09078		15MTRS			TB-A	
96	3 POLE MOTOR PROTECTED CIRCUIT BREAKER SETTING RANGE 1.6 - 2.4 AMPS	SIEMENS	3VU13 00-1MG00		2	CB2402, CB2407	24/2, 24/7	TB-A	

Elect. <input checked="" type="radio"/>	DESIGN P.D.	DRAWING No F010-401-AC	 NISSAN MOTOR MANUFACTURING (UK) LIMITED No4870	DE-FLASHING PRESS GANTRY LOADER CONTROL CABINET STOCKLIST	SHEET 118/119
Hydr. <input type="radio"/>	DRAWN P.D.				SHEET
Pneum. <input type="radio"/>	CHECKED G.B.				SHEET
Lubr. <input type="radio"/>	APPROVED				
DATE APRIL 95					

JWF No. F010-4XX-118


ITEM No.	DESCRIPTION	MANUFACTURERS NAME	IDENTIFICATION DATA Type/ Order No/ Drawing No/ Std Reference Required Technical Data	BRITISH/ EUROPEAN STANDARD No.	QTY	DESIGNATION ON DIAGRAM	SCHEMATIC DIAGRAM sheet/line	LOCATION e.g control console	NOTES
98	DIN MOUNTING RAIL TS 32 (STEEL)	KLIPPON	012280		5MTRS				
99	DIN MOUNTING RAIL TS 35 (STEEL)	KLIPPON	038340		4MTRS				
100	SAK 10 TERMINAL	KLIPPON	011006		A/R				
101	SAK 4 TERMINAL	KLIPPON	012836		A/R				
102	EK 10 EARTH TERMINAL	KLIPPON	035466		A/R				
103	FUSE 0.1 AMP 20 x 5mm	KLIPPON	043030	IEC127 CEE4	50				
104	ASK1 LD TERMINAL WITH FUSE BLOWN INDICATION	KLIPPON	022276		50				
105	EK 4 EARTH TERMINAL	KLIPPON	035456		A/R				
106	PARTITION FOR TERMINALS SAK 10 AND SAK 4	KLIPPON	013016		A/R				
107	END PLATE FOR TERMINALS SAK 10 AND SAK 4	KLIPPON	011796		A/R				
108	END PLATE FOR TERMINALS ASK 1	KLIPPON	020616		A/R				

Elect. <input checked="" type="radio"/>	DESIGN P.D.	DRAWING No F010-401-AB	 NISSAN MOTOR MANUFACTURING (UK) LIMITED No4870	DE-FLASHING PRESS GANTRY LOADER CONTROL CABINET STOCKLIST	SHEET 119/120
Hydr. <input type="radio"/>	DRAWN P.D.				SHEET
Pneum. <input type="radio"/>	CHECKED G.B.				SHEET
Lubr. <input type="radio"/>	APPROVED				
DATE APRIL 95					

JWF No. F010-4XX-119

ITEM No.	DESCRIPTION	MANUFACTURERS NAME	IDENTIFICATION DATA Type/ Order No/ Drawing No/ Std Reference Required Technical Data	BRITISH/ EUROPEAN STANDARD No.	QTY	DESIGNATION ON DIAGRAM	SCHEMATIC DIAGRAM sheet/line	LOCATION e.g control console	NOTES
109	END BRACKET	KLIIPPON	020616		A/R				
110	JUMPER BAR 10 WAY FOR SAK 10 TERMINALS	KLIIPPON	047060		A/R				
111	JUMPER BAR 10 WAY FOR SAK 4 TERMINALS	KLIIPPON	033820		A/R				
112	DISTANCE SLEEVE FOR SAK 4 TERMINALS	KLIIPPON	024850		A/R				
113	DISTANCE SLEEVE FOR SAK 10 TERMINALS	KLIIPPON	024900		A/R				
114	SCREWS FOR TERMINALS	KLIIPPON	030300		A/R				
115	TRANSPARENT COVER	KLIIPPON	048530		1MTR				
116	COVER SUPPURT BRACKET	KLIIPPON	048566		2				
117	ANGLED SUPPURT BRACKET	KLIIPPON	016400		4				
118	SUPPURT BLOCK SH2	KLIIPPON	049492		14				
119	FEMALE MINIATURE D TO DOUBLE DECKED TERMINALS 37 POLE	KLIIPPON	068386		3	CLM - X70 CLM - X71 CLM - X72	57/2 58/2 59/2		

Elect.	<input checked="" type="radio"/>	DESIGN	P.D.
Hydr.	<input type="radio"/>	DRAWN	P.D.
Pneum.	<input type="radio"/>	CHECKED	G.B.
Lubr.	<input type="radio"/>	APPROVED	
DATE	APRIL 95	DRAWING No	F010-401-AA




FROEHLICH
FELSOMAT
 Automation & Engineering

NISSAN MOTOR MANUFACTURING
 (UK) LIMITED No4870

DE-FLASHING PRESS GANTRY LOADER	
TITLE	CONTROL CABINET STOCKLIST
SHEET	120/121
SHEET	.

JVF No.F010-4XX-120


ITEM No.	DESCRIPTION	MANUFACTURERS NAME	IDENTIFICATION DATA Type/ Order No/ Drawing No/ Std Reference Required Technical Data	BRITISH/ EUROPEAN STANDARD No.	QTY	DESIGNATION ON DIAGRAM	SCHEMATIC DIAGRAM sheet/line	LOCATION e.g control console	NOTES
120	A.C. BRUSHLESS SERVO MOTOR, MOTOR RATED FOR 66N AND UPTD 5300RPM, MOTOR FITTED WITH KEYWAY, NO BRAKE AND ENCODER	REXROTH L.TD. (INDRAMAT DIVISION)	MAC 071C-D-JS-4-C/095-A-D/W1518LV/S001		1	M5515	55/15	-	
121	A.C. BRUSHLESS SERVO MOTOR, MOTOR RATED FOR 66N AND UPTD 4800RPM, MOTOR FITTED WITH KEYWAY, BRAKE AND ENCODER	REXROTH L.TD. (INDRAMAT DIVISION)	MAC 071C-D-JS-4-C/095-A-2/W1518LV/S001		2	M5515-1, M5515-2	55/15	-	
122									
123	50AMP A.C. SERVO CONTROLLER	REXROTH L.TD. (INDRAMAT DIVISION)	TDM 1.2-050-300-W1		3	TDM Y, TMD Z1 TDM Z2	55/15	-	
124									
125	A.C. SERVO ACCESSORIES PERSONALITY MODULE FOR 50AMP SERVO CONTROLLER	REXROTH L.TD. (INDRAMAT DIVISION)	MOD 1/1X1324-007		3	TDM Y, TMD Z1 TDM Z2	55/15	-	
126									
127	A.C. SERVO ACCESSORIES CONNECTOR KIT	REXROTH L.TD. (INDRAMAT DIVISION)	E1-TDM		3				

Elect. <input checked="" type="radio"/>	DESIGN P.D.	DRAWING No F010-112-AC	 NISSAN MOTOR MANUFACTURING (UK) LIMITED No4870	DE-FLASHING PRESS GANTRY LOADER INDRAMAT STOCKLIST	SHEET 121/122
Hydr. <input type="radio"/>	DRAWN P.D.				SHEET
Pneum. <input type="radio"/>	CHECKED G.B.				SHEET
Lubr. <input type="radio"/>	APPROVED				
DATE APRIL 95					

JWF No. F010-4XX-121

ITEM No.	DESCRIPTION	MANUFACTURERS NAME	IDENTIFICATION DATA Type/ Order No/ Drawing No/ Std Reference Required Technical Data	BRITISH/ EUROPEAN STANDARD No.	QTY	DESIGNATION ON DIAGRAM	SCHEMATIC DIAGRAM sheet/line	LOCATION e.g control console	NOTES
128									
129									
130	A.C. POWER SUPPLY	REXROTH LTD. <INDRAMAT DIVISION>	TVD 1.2-08-03		1				
131	POWER SUPPLY ACCESSORIES	REXROTH LTD. <INDRAMAT DIVISION>	NAM 1.2-08		1	NAM	55/15	-	
132	POWER SUPPLY ACCESSORIES	REXROTH LTD. <INDRAMAT DIVISION>	INI75/155		1				
133	POWER SUPPLY ACCESSORIES CONNECTOR KIT	REXROTH LTD. <INDRAMAT DIVISION>	E3-TVD		1				
134	4 AXIS POSITIONAL CONTROLLER	REXROTH LTD. <INDRAMAT DIVISION>	CLM 01.3-A-D-4-B		1	CLM	55/15	-	
135	POSITIONAL CONTROLLER ACCESSORY KIT	REXROTH LTD. <INDRAMAT DIVISION>	E12-CLM		1				
136									
137									

Elect.	<input checked="" type="radio"/>	DESIGN	P.D.
Hydr.	<input type="radio"/>	DRAWN	P.D.
Pneum.	<input type="radio"/>	CHECKED	G.B.
Lubr.	<input type="radio"/>	APPROVED	
DATE	APRIL 95		



FROEHLICH FELSOMAT
 Automation & Engineering

NISSAN MOTOR MANUFACTURING
 (UK) LIMITED No4870


DE-FLASHING PRESS GANTRY LOADER	
TITLE	SHEET
	122/123
	SHEET

JWF No. F010-4XX-122

ITEM No.	DESCRIPTION	MANUFACTURERS NAME	IDENTIFICATION DATA Type/ Order No/ Drawing No/ Std Reference Required Technical Data	BRITISH/ EUROPEAN STANDARD No.	QTY	DESIGNATION ON DIAGRAM	SCHEMATIC DIAGRAM sheet/line	LOCATION e.g control console	NOTES
140	MOTOR POWER CABLE FROM TDM MODULE TO BULKHEAD CONNECTOR IN ELECTRICAL PANEL	REXROTH LTD. (INDRAMAT DIVISION)	IKL 067/5		3	X60,X61,X62	55/15	-	
141	MOTOR POWER CABLE FROM ELECTRICAL PANEL TO BULKHEAD CONNECTOR	REXROTH LTD. (INDRAMAT DIVISION)	IKL 064/20		1	LV60	55/15	-	
142	MOTOR POWER CABLE FROM BULKHEAD CONNECTOR TO MOTOR	REXROTH LTD. (INDRAMAT DIVISION)	IKL 064/15		5	LV60A, LV61, LV61A LV62, LV62A	55/15	-	
143	MOTOR BULKHEAD CONNECTOR	REXROTH LTD. (INDRAMAT DIVISION)	IN 317		3	X60A, X61A, X62A	55/15	-	
144	MOTOR FEEDBACK CABLE FROM TDM MODULE TO BULKHEAD CONNECTOR IN ELECTRICAL PANEL	REXROTH LTD. (INDRAMAT DIVISION)	IKS 268/5		3	X63, X64, X65	55/15	-	
145	MOTOR FEEDBACK CABLE FROM ELECTRICAL PANEL TO BULKHEAD CONNECTOR	REXROTH LTD. (INDRAMAT DIVISION)	IKS 271/20		3	LT63, LT64, LT65	55/15	-	
146	MOTOR FEEDBACK CABLE FROM BULKHEAD CONNECTOR TO MOTOR	REXROTH LTD. (INDRAMAT DIVISION)	IKS 257/15		3	LT63A, LT64A, LT65A	55/15	-	


Elect. <input checked="" type="radio"/> P.D. Hydr. <input type="radio"/> P.D. Pneum. <input type="radio"/> G.B. Lubr. <input type="radio"/> G.B.	DESIGN DRAWN CHECKED APPROVED	DATE APRIL 95	DRAWING No F010-112-AC	 NISSAN MOTOR MANUFACTURING (UK) LIMITED No4870	DE-FLASHING PRESS GANTRY LOADER TITLE INDRAMAT STOCKLIST	SHEET 123/124 SHEET
---	--	------------------	---------------------------	---	---	---------------------------

ITEM No.	DESCRIPTION	MANUFACTURERS NAME	IDENTIFICATION DATA Type/ Order No/ Drawing No/ Std Reference Required Technical Data	BRITISH/ EUROPEAN STANDARD No.	QTY	DESIGNATION ON DIAGRAM	SCHEMATIC DIAGRAM sheet/line	LOCATION e.g control console	NOTES
147	FEEDBACK AND POSITION BULKHEAD CONNECTORS	REXROTH LTD. (INDRAMAT DIVISION)	IN 313		6	X63A,X64A,X65A, X66A,X67A,X68A	55/15	-	
148	MOTOR POSITION CABLE FROM TDM MODULE TO BULKHEAD CONNECTOR IN ELECTRICAL PANEL	REXROTH LTD. (INDRAMAT DIVISION)	IKS 326/5		3	X66,X67,X68	55/15	-	
149	MOTOR POSITION CABLE FROM ELECTRICAL PANEL TO BULKHEAD CONNECTOR	REXROTH LTD. (INDRAMAT DIVISION)	IKS 324/20		3	LT66,LT67,LT68	55/15	-	
150	MOTOR POSITION CABLE FROM BULKHEAD CONNECTOR TO MOTOR	REXROTH LTD. (INDRAMAT DIVISION)	IKS 305/15		3	LT66A,LT67A, LT68A	55/15	-	
151	COOLING MOTOR FAN UNIT 240VAC	REXROTH LTD. (INDRAMAT DIVISION)	LEM-AB071X142		2	M5515-1 M5515-2	55/15	-	


Elect. <input checked="" type="radio"/>	DESIGN P.D.	DRAWING No F010-112-AC	 NISSAN MOTOR MANUFACTURING (UK) LIMITED No4870	DE-FLASHING PRESS GANTRY LOADER INDRAMAT STOCKLIST	SHEET 124/125
Hydr. <input type="radio"/>	DRAWN P.D.				SHEET
Pneum. <input type="radio"/>	CHECKED G.B.				SHEET
Lubr. <input type="radio"/>	APPROVED				
DATE APRIL 95					

JWF No. F010-4XX-124

ITEM No.	DESCRIPTION	MANUFACTURERS NAME	IDENTIFICATION DATA Type/ Order No/ Drawing No/ Std Reference Required Technical Data	BRITISH/ EUROPEAN STANDARD No.	QTY	DESIGNATION ON DIAGRAM	SCHEMATIC DIAGRAM sheet/line	LOCATION e.g. control console	NOTES
150	10-SLOT BACKPLANE	DMRDN	C200H-BC101-V2		3	RACK 0, RACK 1 RACK 5	4	TB-A TB-B	
151	CPU AND POWER SUPPLY 100/200 VAC	DMRDN	C200HS-CPU21-E		1	RACK 0	4	TB-A	
152	I/O POWER SUPPLY 100/200 VAC	DMRDN	C200H-PS221		1	RACK 1	4	TB-A	
153	REMOTE I/O POWER UNIT 100/200 VAC	DMRDN	C200H-RT201		1	RACK 5	4	TB-B	
154	REMOTE I/O MASTER UNIT WIRED	DMRDN	C200H-RW201		1	RACK 0	4	TB-A	
155	HOST LINK UNIT RS-232C	DMRDN	C200H-LK201-V1		1	RACK 5	4	TB-B	
156	I/O CONNECTION CABLE LENGTH 0.7 MTRS	DMRDN	C200H-CN711		1	RACK 0, RACK 1	4	TB-A	
157	16-POINT INPUT UNIT 24VDC	DMRDN	C200H-ID212		20	RACK 0, RACK 1 RACK 5	4	TB-A TB-B	
158	16-POINT RELAY OUTPUT CARD 24VDC/250VAC	DMRDN	C200H-DC225		9	RACK 0, RACK 1 RACK 5	4	TB-A TB-B	
159	SPACE UNIT FOR VACANT SLOT	DMRDN	C200H-SP001		1	RACK 5	4	TB-B	
160	SOFTWARE	DMRDN	LSS SOFTWARE		1				
161	CONNECTING CABLE BETWEEN IBM PC AND DRM0N C200HS PROCESSOR	DMRDN	CGM1-CIF02		1				

Elect. <input checked="" type="radio"/>	DESIGN P.D.	DRAWING No F010-403-AC	 NISSAN MOTOR MANUFACTURING (UK) LIMITED No4870	DE-FLASHING PRESS GANTRY LOADER PLC EQUIPMENT STOCKLIST	SHEET 125/126
Hydr. <input type="radio"/>	DRAWN P.D.				SHEET
Pneum. <input type="radio"/>	CHECKED G.B.				SHEET
Lubr. <input type="radio"/>	APPROVED				
DATE APRIL 95					


ITEM No.	DESCRIPTION	MANUFACTURERS NAME	IDENTIFICATION DATA Type/ Order No/ Drawing No/ Std Reference Required Technical Data	BRITISH/ EUROPEAN STANDARD No.	QTY	DESIGNATION ON DIAGRAM	SCHEMATIC DIAGRAM sheet/line	LOCATION e.g control console	NOTES
165	CABLE (BLUE)		6.0 SQ.mm	BS 6231	A/R				
166	CABLE (BLUE)		1.5 SQ.mm	BS 6231	A/R				
167	CABLE (BLUE)		1.0 SQ.mm	BS 6231	A/R				
168	CABLE (RED)		1.5 SQ.mm	BS 6231	A/R				
169	CABLE (WHITE)		1.5 SQ.mm	BS 6231	A/R				
170	CABLE (RED)		1.0 SQ.mm	BS 6231	A/R				
171	CABLE (WHITE)		1.0 SQ.mm	BS 6231	A/R				
172	CABLE (BLACK)		2.5 SQ.mm	BS 6231	A/R				
173	CABLE (BLACK)		10.0. SQ.mm	BS 6231	A/R				
174	MULTICORE CABLE (BLACK)		2.5 SQ.mm 16 CORE+EARTH SY	BS 6231	A/R				
175	MULTICORE CABLE (BLACK)		1.5 SQ.mm 24 CORE+EARTH YY	BS 6231	A/R				
176	MULTICORE CABLE (BLACK)		1.5 SQ.mm 16 CORE+EARTH YY	BS 6231	A/R				
177	CABLE (YELLOW)		1.5 SQ.mm	BS 6231	A/R				
178	CABLE (GREEN/YELLOW)		2.5 SQ.mm	BS 6231	A/R				
179	CABLE (GREEN/YELLOW)		6.0 SQ.mm	BS 6231	A/R				
180	BOOTLACE FERRULES	TELEMECANIQUE	0.5mm DZ5-CE005		A/R				
181	BOOTLACE FERRULES	TELEMECANIQUE	1.0mm DZ5-CE010		A/R				
182	BOOTLACE FERRULES	TELEMECANIQUE	1.5mm DZ5-CE015		A/R				
183	BOOTLACE FERRULES	TELEMECANIQUE	2.5mm DZ5-CE025		A/R				
184	BOOTLACE FERRULES	TELEMECANIQUE	2.5mm DZ5-CE0253		500				

Elect. <input checked="" type="radio"/>	DESIGN P.D.	DRAWING No F010-401-AB	 NISSAN MOTOR MANUFACTURING (UK) LIMITED No4870	DE-FLASHING PRESS GANTRY LOADER CONTROL CABINET STOCKLIST	SHEET 126/127
Hydr. <input type="radio"/>	DRAWN P.D.				SHEET
Pneum. <input type="radio"/>	CHECKED G.B.				SHEET
Lubr. <input type="radio"/>	APPROVED				
DATE APRIL 95					

JWF No. F010-4XX-126

ITEM No.	DESCRIPTION	MANUFACTURERS NAME	IDENTIFICATION DATA Type, Order No, Drawing No, Std Reference Required Technical Data	BRITISH/ EUROPEAN STANDARD No.	QTY	DESIGNATION ON DIAGRAM	SCHEMATIC DIAGRAM sheet/line	LOCATION e.g control console	NOTES
185	TERMINAL BOX	MAIN SYSTEMS	900H x 600W x 300D		1			TB-B	
186	SINGLE SOCKET OUTLET	HARVEY HUBBELL	5251		1	SKT2116	21/16	TB-B	
187	SOCKET BOX	HARVEY HUBBELL	19000		1	SKT2116	21/16	TB-B	
188	SOCKET LID	HARVEY HUBBELL	19021		1	SKT2116	21/16	TB-B	
189	DATA CON 3100 110VAC TOUCH SCREEN DISPLAY	CONTRAVES	250005		1			TB-B	
190	DMRON PROTOCOL CARD	CONTRAVES	253033		1			TB-B	
191	256KB EPROM MEMORY	CONTRAVES	251006		1			TB-B	
192	PROM WRITER ADAPTER	CONTRAVES	251010		1			TB-B	
193	24 WAY OPEN TYPE BULKHEAD HOUSING (HAN 24 E)	HARTING	09 30 024 0301		2	X22.X23		TB-B	
194	16 WAY OPEN TYPE BULKHEAD HOUSING (HAN 16 E)	HARTING	09 30 016 0301		1	X47A		TB-B	
195									
196									

Elect.	<input checked="" type="radio"/>	DESIGN	P.D.
Hydr.	<input type="radio"/>	DRAWN	P.D.
Pneum.	<input type="radio"/>	CHECKED	G.B.
Lubr.	<input type="radio"/>	APPROVED	
DATE	APRIL 95		


FROEHLICH FLSOMAT
 Automation & Engineering


NISSAN MOTOR MANUFACTURING
 (UK) LIMITED No4870

DE-FLASHING PRESS GANTRY LOADER	
TITLE	OPERATOR CONSOLE STOCKLIST
SHEET	127/128
SHEET	

JVF No.F010-4XX-127

ITEM No.	DESCRIPTION	MANUFACTURERS NAME	IDENTIFICATION DATA Type/ Order No/ Drawing No/ Std Reference Required Technical Data	BRITISH/ EUROPEAN STANDARD No.	QTY	DESIGNATION ON DIAGRAM	SCHEMATIC DIAGRAM sheet/line	LOCATION e.g control console	NOTES
200									
201	24 WAY FEMALE INSERT LEFT HAND VERSION < HAN E AV >	HARTING	09 33 024 4725		2	X22, X23		TB-B	
202	16 WAY FEMALE INSERT LEFT HAND VERSION < HAN E AV >	HARTING	09 33 016 4725		1	X47A		TB-B	
203									
204									
205	24 WAY MALE INSERT < HAN 24 E >	HARTING	09 33 024 2601		2	X22, X23		TB-B	
206	16 WAY MALE INSERT < HAN 16 E >	HARTING	09 33 016 2601		1	X47A		TB-B	
207	24 WAY HOOD < HAN 24 E >	HARTING	09 30 024 0420		2	X22, X23		TB-B	
208	16 WAY HOOD < HAN 16 E >	HARTING	09 30 016 0420		1	X47A		TB-B	
209									

Elect.	<input checked="" type="radio"/>	DESIGN	P.D.
Hydr.	<input type="radio"/>	DRAWN	P.D.
Pneum.	<input type="radio"/>	CHECKED	G.B.
Lubr.	<input type="radio"/>	APPROVED	
DATE	APRIL 95		


FROEHLICH
FELSOMAT
 Automation & Engineering


NISSAN MOTOR MANUFACTURING
 (UK) LIMITED No4870

DE-FLASHING PRESS GANTRY LOADER	
TITLE	SHEET 128/129
OPERATOR CONSOLE STOCKLIST	SHEET

JWF No. F010-4XX-128

ITEM No.	DESCRIPTION	MANUFACTURERS NAME	IDENTIFICATION DATA Type/ Order No/ Drawing No/ Std Reference Required Technical Data	BRITISH/ EUROPEAN STANDARD No.	QTY	DESIGNATION ON DIAGRAM	SCHEMATIC DIAGRAM sheet/line	LOCATION e.g control console	NOTES
220	DIN MOUNTING RAIL TS 32 (STEEL)	KLIPPON	012280		1MTR				
221	SAK 4 TERMINAL	KLIPPON	012836		A/R				
222	ASK1 LD TERMINAL WITH FUSE BLOWN INDICATION	KLIPPON	022276		A/R				
223	FUSE 0.1 AMP 20 x 5mm	KLIPPON	043030	IEC127 CEE4	20				
224	EK 4 EARTH TERMINAL	KLIPPON	035456		20				
225	END PLATE FOR TERMINALS SAK 4	KLIPPON	011796		A/R				
226	END PLATE FOR TERMINALS ASK 1	KLIPPON	020616		A/R				
227	END BRACKET	KLIPPON	020616		6				
228	JUMPER BAR 10 WAY FOR SAK 4 TERMINALS	KLIPPON	033820		A/R				
229	DISTANCE SLEEVE FOR SAK 4 TERMINALS	KLIPPON	024850		A/R				
230	SCREWS FOR TERMINALS	KLIPPON	030300		A/R				

Elect.	<input checked="" type="radio"/>	DESIGN	P.D.
Hydr.	<input type="radio"/>	DRAWN	P.D.
Pneum.	<input type="radio"/>	CHECKED	G.B.
Lubr.	<input type="radio"/>	APPROVED	
DATE	APRIL 95	DRAWING No	F010-421-AB



FROEHLICH
FELSOMAT
Automation & Engineering


NISSAN MOTOR MANUFACTURING
(UK) LIMITED No4870

DE-FLASHING PRESS GANTRY LOADER	
TITLE	OPERATOR CONSOLE STOCKLIST
SHEET	130/131
SHEET	

JWF No. F010-4XX-130

ITEM No.	DESCRIPTION	MANUFACTURERS NAME	IDENTIFICATION DATA Type, Order No, Drawing No, Std Reference Required Technical Data	BRITISH/ EUROPEAN STANDARD No.	QTY	DESIGNATION ON DIAGRAM	SCHEMATIC DIAGRAM sheet/line	LOCATION e.g control console	NOTES
231	SUPPORT BLOCK SH2	KLIPPON	049492		A/R			TB-B	
238	FLUSH PUSHBUTTON YELLOW	TELEMECANIQUE	ZB2-BAS		5	PB34A16, PBX5003 PBX5011, PBX5308 PBX5314	34A/16,90/4 90/12,93/9 93/15	TB-B	
239	CONTACT BLOCK 2ND	SIEMENS	3SB1400-0G		2	ESX0004A	40/2	TB-B	

Elect.	<input checked="" type="radio"/>	DESIGN	P.D.
Hydr.	<input type="radio"/>	DRAWN	P.D.
Pneum.	<input type="radio"/>	CHECKED	G.B.
Lubr.	<input type="radio"/>	APPROVED	
DATE	APRIL 95	DRAWING No	F010-421-AB



FROEHLICH
FELSOMAT
 Automation & Engineering

NISSAN MOTOR MANUFACTURING
 (UK) LIMITED No4870

DE-FLASHING PRESS GANTRY LOADER	
TITLE	OPERATOR CONSOLE STOCKLIST
SHEET	131/132
SHEET	


JWF No. F010-4XX-131

ITEM No.	DESCRIPTION	MANUFACTURERS NAME	IDENTIFICATION DATA Type, Order No, Drawing No, Std Reference Required Technical Data	BRITISH/ EUROPEAN STANDARD No.	QTY	DESIGNATION ON DIAGRAM	SCHEMATIC DIAGRAM sheet/line	LOCATION e.g. control console	NOTES
240	70MM RED MUSHROOM HEAD PUSHBUTTON	SIEMENS	3SBI000-1HC		1	ESX0004A	40/2	TB-B	
241	PILOT LIGHT HEAD GREEN	TELEMECANIQUE	ZB2-BV03		2	LT4410, LT4413	44/10,4413	TB-B	
242	2 POSITION KEY SWITCH STAY PUT	TELEMECANIQUE	XB2-BG2		1	K33310	33/10	TB-B	
243	3 POSITION SELECTOR STAY PUT	TELEMECANIQUE	ZB2-BD3		4	SSX5000,SSX5104 SSX5112,SSX5309	90/1,91/5 91/13,93/10	TB-B	
244	3 POSITION SELECTOR SPRING RETURN TO CENTRE	TELEMECANIQUE	ZB2-BD5		10	SSX5102,SSX5110 SSX5202,SSX5204 SSX5206,SSX5208 SSX5210,SSX5212 SSX5300,SSX5302	91/3,91/11 92/3,92/5 92/7,92/9 92/11,92/13 93/1,93/3	TB-B	
245	FLUSH PUSHBUTTON BLACK	TELEMECANIQUE	ZB2-BA2		3	PBX5009,PBX5010 PBX5315	90/10,90/11 93/16	TB-B	
246	FLUSH PUSHBUTTON GREEN	TELEMECANIQUE	ZB2-BA3		4	PBX5100,PBX5108 PBX5200,PBX5313	91/1,91/9 92/1,93/14	TB-B	
247	FLUSH PUSHBUTTON RED	TELEMECANIQUE	ZB2-BA4		4	PB4406, PBX5101 PBX5109,PBX5201	44/6,91/2 91/10,92/2	TB-B	
248	ILLUMINATED FLUSH PUSHBUTTON GREEN	TELEMECANIQUE	XB2-BW3361		2	PB4406-1/PLTY5600 PBX5004/PLTY5601	44/6,96/1 90/5,96/2	TB-B	
249	ILLUMINATED FLUSH PUSHBUTTON YELLOW	TELEMECANIQUE	XB2-BW3561		2	PBX5107/PLTY5604 PBX5115/PLTY5605	91/8,96/5 91/16,96/6	TB-B	


Elect. <input checked="" type="radio"/> P.D. Hydr. <input type="radio"/> P.D. Pneum. <input type="radio"/> G.B. Lubr. <input type="radio"/> G.B.	DESIGN DRAWN CHECKED APPROVED	DATE APRIL 95	DRAWING No F010-421-AC	CHANGES DATE NAME	 NISSAN MOTOR MANUFACTURING (UK) LIMITED No4870	DE-FLASHING PRESS GANTRY LOADER TITLE OPERATOR CONSOLE STOCKLIST	SHEET 132/133 SHEET
---	--	------------------	---------------------------	-------------------------	---	---	---------------------------

JWF No. F010-4XX-132


ITEM No.	DESCRIPTION	MANUFACTURERS NAME	IDENTIFICATION DATA Type, Order No, Drawing No, Std Reference Required Technical Data	BRITISH/ EUROPEAN STANDARD No.	QTY	DESIGNATION ON DIAGRAM	SCHEMATIC DIAGRAM sheet/line	LOCATION e.g. control console	NOTES
250	ILLUMINATED FLUSH PUSHBUTTON RED	TELEMECANIQUE	XB2-BW3461		2	PBX5005/PLTY5602 PBX5008/PLTY5603	90/6,96/3 90/9,96/4	TB-B	
251	PILOT LIGHT BODY	TELEMECANIQUE	ZB2-BV6		2	LT4410, LT4413	44/10,44/13	TB-B	
252	BODY ASSEMBLY WITH IND CONTACT	TELEMECANIQUE	ZB2-BZ101		19	K33310,PB34A16 PBX5003,SSX5006 SSX5007,PBX5009 PBX5010,PBX5011 PBX5100,PBX5101 PBX5108,PBX5109 PBX5200,PBX5201 PBX5308,SSX5312 PBX5313,PBX5314 PBX5315	33/10,344/16 90/4,90/7 90/8,90/9 90/10,90/11 91/1,91/2 91/9,91/10 92/1,92/2 93/9,93/13 93/14,93/15 93/16	TB-B	
253	BODY ASSEMBLY WITH INC CONTACT	TELEMECANIQUE	ZB2-BZ102		1	PB4406	44/6	TB-B	
254	BODY ASSEMBLY WITH 2ND CONTACT	TELEMECANIQUE	ZB2-BZ103		14	SSX5000,SSX5102 SSX5104,SSX5110 SSX5112,SSX5202 SSX5204,SSX5206 SSX5208,SSX5210 SSX5212,SSX5300 SSX5302,SSX5309	90/1,91/3 91/5,91/11 91/13,92/3 92/5,92/7 92/9,92/11 92/13,93/1 93/3,93/10	TB-B	
255	CONTACT BODY ASSEMBLY	SIEMENS	3SB1902-1AF		1	ESX0004A	40/2	TB-B	
256	CONTACT BLOCK 2NC	SIEMENS	3SB1400-0H		3	ESX0004A	40/2	TB-B	
257	2 POSITION SELECTOR	TELEMECANIQUE	ZB2-BD2		3	SSX5006,SSX5007 SSX5312	90/7,90/8 93/13	TB-B	
258	BULB BA 95 24V	TELEMECANIQUE	DL1-CE024		8			TB-B	

Elect. <input checked="" type="radio"/>	DESIGN P.D.	DRAWING No F010-421-AB	 <p>NISSAN MOTOR MANUFACTURING (UK) LIMITED No4870</p>	<p>DE-FLASHING PRESS GANTRY LOADER</p> <p>TITLE OPERATOR CONSOLE STOCKLIST</p>	SHEET 133/134
Hydr. <input type="radio"/>	DRAWN P.D.				SHEET
Pneum. <input type="radio"/>	CHECKED G.B.				SHEET
Lubr. <input type="radio"/>	APPROVED				
DATE APRIL 95					

ITEM No.	DESCRIPTION	MANUFACTURERS NAME	IDENTIFICATION DATA Type/ Order No/ Drawing No/ Std Reference Required Technical Data	BRITISH/ EUROPEAN STANDARD No.	QTY	DESIGNATION ON DIAGRAM	SCHEMATIC DIAGRAM sheet/line	LOCATION e.g. control console	NOTES
260	CONTACT BLOCK INC	TELEMECANIQUE	ZB2-BE102		8	SSX5000,SSX5104 SSX5112,SSX5309	90/1,91/5 91/13,93/10	TB-B	
261	CIRCULAR LEGEND PLATE 90MM DIA	TELEMECANIQUE	ZB2-BY8330		1	ESX0004A	40/2	TB-B	
262	ILLUMINATED LENS UNIT GREEN	TELEMECANIQUE	XVA-C33		1	LT45A03	45A/13	TB-B	
263	ILLUMINATED LENS UNIT RED	TELEMECANIQUE	XVA-C34		1	LT45A07	45A/7	TB-B	
264	ILLUMINATED LENS UNIT ORANGE	TELEMECANIQUE	XVA-C35		1	LT45A11	45A/11	TB-B	
265	BASE UNIT AND COVER	TELEMECANIQUE	XVA-C21		1	LT45A07,LT45A11 LT45A13	45A/7,45A/11 45A/13	TB-B	
266	MOUNTING TUBE 400MM	TELEMECANIQUE	XVA-C03		1	LT45A07,LT45A11 LT45A13	45A/7,45A/11 45A/13	TB-B	
267	FIXING PLATE ALUMINIUM	TELEMECANIQUE	XVA-C11		1	LT45A07,LT45A11 LT45A13	45A/7,45A/11 45A/13	TB-B	
268	SEALING GASKET BASE UNIT	TELEMECANIQUE	XVA-C05		1	LT45A07,LT45A11 LT45A13	45A/7,45A/11 45A/13	TB-B	
269	SEALING GASKET TUBE SUPPORT	TELEMECANIQUE	XVA-C06		1	LT45A07,LT45A11 LT45A13	45A/7,45A/11 45A/13	TB-B	
270	BULB BA15d 24V	TELEMECANIQUE	DL1-BL024		3	LT45A07,LT45A11 LT45A13	45A/7,45A/11 45A/13	TB-B	

Elect. <input checked="" type="radio"/>	DESIGN P.D.	DRAWING No F010-421-AB	 NISSAN MOTOR MANUFACTURING (UK) LIMITED No4870	DE-FLASHING PRESS GANTRY LOADER OPERATOR CONSOLE STOCKLIST	SHEET 134/135
Hydr. <input type="radio"/>	DRAWN P.D.				SHEET
Pneum. <input type="radio"/>	CHECKED G.B.				SHEET
Lubr. <input type="radio"/>	APPROVED				
DATE APRIL 95					


ITEM No.	DESCRIPTION	MANUFACTURERS NAME	IDENTIFICATION DATA Type, Order No, Drawing No, Std Reference Required Technical Data	BRITISH/ EUROPEAN STANDARD No.	QTY	DESIGNATION ON DIAGRAM	SCHEMATIC DIAGRAM sheet/line	LOCATION e.g control console	NOTES
290	70MM RED MUSHROOM HEAD PUSHBUTTON	SIEMENS	3SBI000-1HC		1	ESX0005A	40/7	TB-N	
291	3 POSITION SELECTOR	TELEMECANIQUE	ZB2-BD3		1	SSX1600	86/1	TB-N	
292	60MM GREEN MUSHROOM HEAD PUSHBUTTON	TELEMECANIQUE	ZB2-BR3		2	PB46A03,PB46A06	46A/3,46A/6	TB-N	
293	PILOT LIGHT HEAD YELLOW	TELEMECANIQUE	ZB2-BV05		4	PLT1906,PLT1908 PLT1910,PLT1911	89/7,89/9 89/11,89/12	TB-N	
294	FLUSH PUSHBUTTON BLACK	TELEMECANIQUE	ZB2-BA2		1	PBX1608	86/9	TB-N	
295									
296	BODY ASSEMBLY WITH IND CONTACT	TELEMECANIQUE	XB2-BZ101		5	PB46A03,PB46A06 PBX1608,PBX1609 PBX1610	46A/3,46A/6 86/9,86/10 86/11	TB-N	
297	CONTACT BLOCK 2NC	SIEMENS	3SBI400-0H		3	ESX0005A	40/7	TB-N	
298	BODY ASSEMBLY WITH 2ND CONTACTS	TELEMECANIQUE	ZB2-BZ103		1	SSX1600	86/1	TB-N	
299	CONTACT BLOCK INC	TELEMECANIQUE	ZB2-BE102		4	PB46A03,PB46A06 SSX1600,SSX1600	46A/3,46A/6 86/1,86/1	TB-N	
300	CONTACT BLOCK 2ND	SIEMENS	3SBI400-0G		2	ESX0005A	40/7	TB-N	
301	CIRCULAR LEGEND PLATE 90MM DIA	TELEMECANIQUE	ZB2-BY8330		1	ESX0005A	40/7	TB-N	
302	BULB BA 9S 24V	TELEMECANIQUE	DL1-CE024		11			TB-N	

Elect. <input checked="" type="radio"/>	DESIGN P.D.	DRAWING No F010-422-AC	 NISSAN MOTOR MANUFACTURING (UK) LIMITED No4870	DE-FLASHING PRESS GANTRY LOADER O/P CONVEYOR PB STN STOCKLIST	SHEET 136/137
Hydr. <input type="radio"/>	DRAWN P.D.				SHEET
Pneum. <input type="radio"/>	CHECKED G.B.				SHEET
Lubr. <input type="radio"/>	APPROVED				
DATE APRIL 95					

JWF No. F010-4XX-136

ITEM No.	DESCRIPTION	MANUFACTURERS NAME	IDENTIFICATION DATA Type/ Order No/ Drawing No/ Std Reference Required Technical Data	BRITISH/ EUROPEAN STANDARD No.	QTY	DESIGNATION ON DIAGRAM	SCHEMATIC DIAGRAM sheet/line	LOCATION e.g control console	NOTES
303	PILOT LIGHT HEAD GREEN	TELEMECANIQUE	ZB2-BV03		2	PLTY1905/PLTY1907	89/6,89/8	TB-N	
304	ILLUMINATED FLUSH PUSHBUTTON GREEN	TELEMECANIQUE	XB2-BW3361		2	PBX1603/PLTY1901 PBX1605/PLTY1903	86/4,89/2 86/6,89/4	TB-N	
305	ILLUMINATED FLUSH PUSHBUTTON YELLOW	TELEMECANIQUE	XB2-BW3561		3	PBX1604/PLTY1902 PBX1606/PLTY1904 PBX1607/PLTY1909	86/5,89/3 86/7,89/5 86/8,89/10	TB-N	
306	FLUSH PUSHBUTTON GREEN	TELEMECANIQUE	ZB2-BA3		1	PBX1609	86/10	TB-N	
307	FLUSH PUSHBUTTON RED	TELEMECANIQUE	ZB2-BA4		1	PBX1610	86/11	TB-N	
308	PILOT LIGHT BODY	TELEMECANIQUE	ZB2-BV6		6	PLTY1905,PLTY1906 PLTY1907,PLTY1908 PLTY1910,PLTY1911	89/6,89/7 89/8,89/9 89/11,89/12	TB-N	
309	CONTACT BODY HOLDER	SIEMENS	3SB1902-1AF		1	ESX0005A	40/7	TB-N	

Elect.	<input checked="" type="radio"/>	DESIGN	P.D.
Hydr.	<input type="radio"/>	DRAWN	P.D.
Pneum.	<input type="radio"/>	CHECKED	G.B.
Lubr.	<input type="radio"/>	APPROVED	
DATE	APRIL 95	DRAWING No	F010-422-AC



FROEHLICH
FELSOMAT
Automation & Engineering

NISSAN MOTOR MANUFACTURING
(UK) LIMITED No4870

DE-FLASHING PRESS GANTRY LOADER	
TITLE	□/P CONVEYOR PB STN STOCKLIST
SHEET	137/138
SHEET	


JWF No. F010-4XX-137

ITEM No.	DESCRIPTION	MANUFACTURERS NAME	IDENTIFICATION DATA Typej Order Noj Drawing Noj Std Reference Required Technical Data	BRITISH/ EUROPEAN STANDARD No.	QTY	DESIGNATION ON DIAGRAM	SCHEMATIC DIAGRAM sheet/line	LOCATION e.g control console	NOTES
320	PRESSURE SWITCH	SMC	ISE1-01-SSL		1	PXS5014	90/15	TB-Q	
321	PLUNGER LIMIT SWITCH	TELEMECANIQUE	XCK-J167H29		16	LSX1200,LSX1201 LSX1202,LSX1204 LSX1205,LSX1300 LSX1301,LSX1302 LSX1304,LSX1305 LS4612, LS4614 LSX1208,LSX1209 LSX1308,LSX1309	32/7,32/7 32/7,32/5 32/5,32/13 32/13,32/13 32/11,32/11 46/12,46/14 82/9,82/10 83/9,83/10		
322	PLUNGER LIMIT SWITCH	TELEMECANIQUE	XCK-J567H29		2	LSX1203,LSX1303	32/9,32/15		
323	CYLINDER SWITCH	SMC	D-F5PL		16	PRXS1212,PRXS1213 PRXS1312,PRXS1313 PRXS1702,PRXS1703 PRXS1706,PRXS1707 PRXS1709,PRXS1710 PRXS1712,PRXS1713 PRXS5400,PRXS5401 PRXS5403,PRXS5404	82/13,82/14 83/13,83/14 87/3,87/4 87/7,87/8 87/10,87/11 87/13,87/14 94/1,94/2 94/4,94/5		


Elect. <input checked="" type="radio"/>	DESIGN	P.D.	DRAWING No F010-402-AB	 NISSAN MOTOR MANUFACTURING (UK) LIMITED No4870	DE-FLASHING PRESS GANTRY LOADER FIELD DEVICE STOCKLIST	SHEET	138/139
Hydr. <input type="radio"/>	DRAWN	P.D.				SHEET	
Pneum. <input type="radio"/>	CHECKED	G.B.				SHEET	
Lubr. <input type="radio"/>	APPROVED						
DATE	APRIL 95						

JWF No. F010-4XX-138

ITEM No.	DESCRIPTION	MANUFACTURERS NAME	IDENTIFICATION DATA Type/ Order No/ Drawing No/ Std Reference Required Technical Data	BRITISH/ EUROPEAN STANDARD No.	QTY	DESIGNATION ON DIAGRAM	SCHEMATIC DIAGRAM sheet/line	LOCATION e.g control console	NOTES
325	PROXIMITY SWITCH (M12)	IFM	IF 5580/JFA 3002-BPKG		29	PRXS1100,PRXS1101	81/1,81/2		
						PRXS1102,PRXS1103	81/3,81/4		
						PRXS1104,PRXS1106	81/5,81/7		
						PRXS1108,PRXS1110	81/10,81/12		
						PRXS1206,PRXS1207	82/7,82/8		
						PRXS1210,PRXS1211	82/11,82/12		
						PRXS1306,PRXS1307	83/7,83/8		
						PRXS1310,PRXS1311	83/11,83/12		
						PRXS1107,PRXS1407	81/8,94/8		
						PRXS1408,PRXS1409	94/9,94/10		
						PRXS1410,PRXS1411	94/11,94/12		
						PRXS1412,PRXS1413	94/13,94/14		
						PRXS1415,	94/16,		
326	PHOTOELECTRIC CELL	ERWIN SICK	W/L 18-P630		15	PECX1613,PECX1614	86/14,86/15		
						PECX1615,PECX1700	86/16,87/1		
						PECX1701,PECX1704	87/2,87/5		
						PECX1705,PECX1711	87/6,87/2		
						PECX1714,PECX1715	87/15,87/16		
						PECX1402,PECX1405	94/3,94/6		
						PECX1406,PECX1500	94/7,95/1		
						PECX1501	95/2		
327	PHOTOELECTRIC CELL	ERWIN SICK	W/S18-P630/WE18-P630		13	TTC2910/RPC2910	47/10		
						TTC2911/RPC2911	47/11		
						TTC2910/RPC2910	51/10		
						TTC2911/RPC2911	51/11		
						PECX1611	86/12		
						PECX1612	86/13		
						PECX1414	94/15		
						PECX1502	95/3		
						PECX1503	95/4		
						PECX1504	95/5		
						PECX1505	95/6		
						PECX1506	95/7		
						PECX1507	95/8		


Elect. <input checked="" type="radio"/> Hydr. <input type="radio"/> Pneum. <input type="radio"/> Lubr. <input type="radio"/>	DESIGN P.D. DRAWN P.D. CHECKED G.B. APPROVED	DRAWING No F010-402-AC	CHANGES DATE NAME		DE-FLASHING PRESS GANTRY LOADER TITLE FIELD DEVICE STOCKLIST	SHEET 139/140 SHEET
DATE	APRIL 95			NISSAN MOTOR MANUFACTURING (UK) LIMITED No4870		

ITEM No.	DESCRIPTION	MANUFACTURERS NAME	IDENTIFICATION DATA Type/ Order No/ Drawing No/ Std Reference Required Technical Data	BRITISH/ EUROPEAN STANDARD No.	QTY	DESIGNATION ON DIAGRAM	SCHEMATIC DIAGRAM sheet/line	LOCATION e.g. control console	NOTES
328	CONNECTOR CABLE	ERWIN SICK	No. 6 006 710		34				
329	MOUNTING BRACKET	ERWIN SICK	No. 2009 317		34				
330	HIGH INTENSITY XENON FLASHING LIGHT RED	TELEMECANIQUE	XVA-C64C0241		1	LT3304	33/4		
331	AUDIBLE SIGNALLING UNIT INTERMITTENT	TELEMECANIQUE	XVA-C921		1	HD3306	33/6		
332	BASE UNIT	TELEMECANIQUE	XVA-C07		1	LT3304-HD3306	33/4, 33/6		
333	MOUNTING TUBE 100MM	TELEMECANIQUE	XVA-C02		1	LT3304-HD3306	33/4, 33/6		
334	FIXING PLATE ALUMINIUM	TELEMECANIQUE	XVA-C11		1	LT3304-HD3306	33/4, 33/6		
335	SEALING GASKET BASE UNIT	TELEMECANIQUE	XVA-C05		1	LT3304-HD3306	33/4, 33/6		
336	SEALING GASKET TUBE SUPPORT	TELEMECANIQUE	XVA-C06		1	LT3304-HD3306	33/4, 33/6		
337	ROLLER LEVER LIMIT SWITCH	TELEMECANIQUE	XCK-J10513H29		3	LS4606, LS4608 LS4608-1	46/6, 46/8 46/8,		

Elect. <input checked="" type="radio"/>	DESIGN P.D.	DRAWING No F010-402-AB	 NISSAN MOTOR MANUFACTURING (UK) LIMITED No4870	DE-FLASHING PRESS GANTRY LOADER FIELD DEVICE STOCKLIST	SHEET 140/141
Hydr. <input type="radio"/>	DRAWN P.D.				SHEET
Pneum. <input type="radio"/>	CHECKED G.B.				SHEET
Lubr. <input type="radio"/>	APPROVED				
DATE APRIL 95					

JWF No. F010-4XX-140


ITEM No.	DESCRIPTION	MANUFACTURERS NAME	IDENTIFICATION DATA Type/ Order No/ Drawing No/ Std Reference Required Technical Data	BRITISH/ EUROPEAN STANDARD No.	QTY	DESIGNATION ON DIAGRAM	SCHEMATIC DIAGRAM sheet/line	LOCATION e.g control console	NOTES
340	INPUT CONNECTION LEAD 90 DEG. WITH LED'S AND 5 MTR CABLE	LUMBERG	E 10178		45				
341	PROXIMITY SWITCH (M12) SHORT	IFM	IF 5508/IFK3002-BPDG		6	PRSX1105, PRSX1107 PRSX1109, PRSX1111 PRSX1214, PRSX1215	81/6, 81/8 81/11, 81/12 82/15, 82/16		
342	COVER AND INDICATOR LIGHT MODULE	TELEMECANIQUE	ZCK-Z021		21				
343	TIE ROD MOUNTING BRACKET FOR CYLINDER SWITCH	SMC	BT-04		12				
344	PROXIMITY SWITCH (M12) NORMALLY CLOSED OUTPUT	BALLUFF	BES 516-325-370-ES-Y-S4		8	PRS4504, PRS4504-1 PRS4507, PRS4507-1 PRS4510, PRS4510-1 PRS3012A, PRS3012B	45/4 45/7 45/10 49/12, 53/12		
345	PROXIMITY SWITCH (M12) SHORT - OUTPUT N/C	IFM	IF 5542/IFB3002-APDG		4	PRS3013A, PRS3014A PRS3013B, PRS3014B	49/13 53/13		

Elect. <input checked="" type="radio"/>	DESIGN P.D.	DRAWING No F010-402-AC	 NISSAN MOTOR MANUFACTURING (UK) LIMITED No4870	DE-FLASHING PRESS GANTRY LOADER FIELD DEVICE STOCKLIST	SHEET 141/142
Hydr. <input type="radio"/>	DRAWN P.D.				SHEET
Pneum. <input type="radio"/>	CHECKED G.B.				SHEET
Lubr. <input type="radio"/>	APPROVED				
DATE APRIL 95					

JWF No. F010-4XX-141

ITEM No.	DESCRIPTION	MANUFACTURERS NAME	IDENTIFICATION DATA Typej Order Noj Drawing Noj Std Reference Required Technical Data	BRITISH/ EUROPEAN STANDARD No.	QTY	DESIGNATION ON DIAGRAM	SCHEMATIC DIAGRAM sheet/line	LOCATION e.g control console	NOTES
360	24 WAY OPEN TYPE BULKHEAD HOUSING (HAN 24 E)	HARTING	09 30 024 0301		28	X2B,X3B,X4B,X5B, X6A,X7A,X8A,X9A, X10A,X11A,X22A, X23A,X26,X26A, X28,X29A,X32, X32A,X33,X33A, X34,X35,X36, X36A,X37,X38, X39,X39A			
361	16 WAY OPEN TYPE BULKHEAD HOUSING (HAN 16 E)	HARTING	09 30 016 0301		6	X20A,X21A, X46A,X47B,CA,CB			
362	6 WAY OPEN TYPE BULKHEAD HOUSING (HAN 6 E)	HARTING	09 30 006 0301		10	X49,X49A,X51, X51A,X52,X52A, X53,X53A,X54, X54B			
363	SURFACE MOUNTED HOUSING (HAN 24 E)	HARTING	09 30 024 1230		4	X2A,X3A,X4A,X5A			
364	24 WAY HOOD (HAN 24 E)	HARTING	09 30 024 1520		32				

Elect.	<input checked="" type="radio"/>	DESIGN	P.D.
Hydr.	<input type="radio"/>	DRAWN	P.D.
Pneum.	<input type="radio"/>	CHECKED	G.B.
Lubr.	<input type="radio"/>	APPROVED	
DATE	APRIL 95	DRAWING No	F010-402-AC



FROEHLICH
FELSOMAT
 Automation & Engineering


NISSAN MOTOR MANUFACTURING
 (UK) LIMITED No4870

DE-FLASHING PRESS GANTRY LOADER	
TITLE	FIELD DEVICE STOCKLIST
SHEET	143/144
SHEET	

JWF No. F010-4XX-143

ITEM No.	DESCRIPTION	MANUFACTURERS NAME	IDENTIFICATION DATA Typej Order Noj Drawing Noj Std Reference Required Technical Data	BRITISH/ EUROPEAN STANDARD No.	QTY	DESIGNATION ON DIAGRAM	SCHEMATIC DIAGRAM sheet/line	LOCATION e.g control console	NOTES
365	16 WAY HOOD < HAN 16 E >	HARTING	09 30 016 1520		12				
366	6 WAY HOOD < HAN 6 E >	HARTING	09 30 006 0542		11				
367	CODDING GUIDE PIN	HARTING	09 33 000 9908		260				
368	CODDING BUSH	HARTING	09 33 000 9909		260				
369	24 WAY MALE INSERT < HAN 24 E >	HARTING	09 33 024 2601		16				
370	24 WAY FEMALE INSERT < HAN 24 E >	HARTING	09 33 024 2701		22				
371	16 WAY MALE INSERT < HAN 16 E >	HARTING	09 33 016 2601		4				
372	16 WAY FEMALE INSERT < HAN 16 E >	HARTING	09 33 016 2701		8				
373	6 WAY SURFACE MOUNTED HOUSING (HAN 6E)	HARTING	09 30 006 1251		1	X54A			

Elect.	<input checked="" type="radio"/>	DESIGN	P.D.
Hydr.	<input type="radio"/>	DRAWN	P.D.
Pneum.	<input type="radio"/>	CHECKED	G.B.
Lubr.	<input type="radio"/>	APPROVED	
DATE	APRIL 95	DRAWING No	F010-402-AC



FROEHLICH
FELSOMAT
 Automation & Engineering

NISSAN MOTOR MANUFACTURING
 (UK) LIMITED No4870

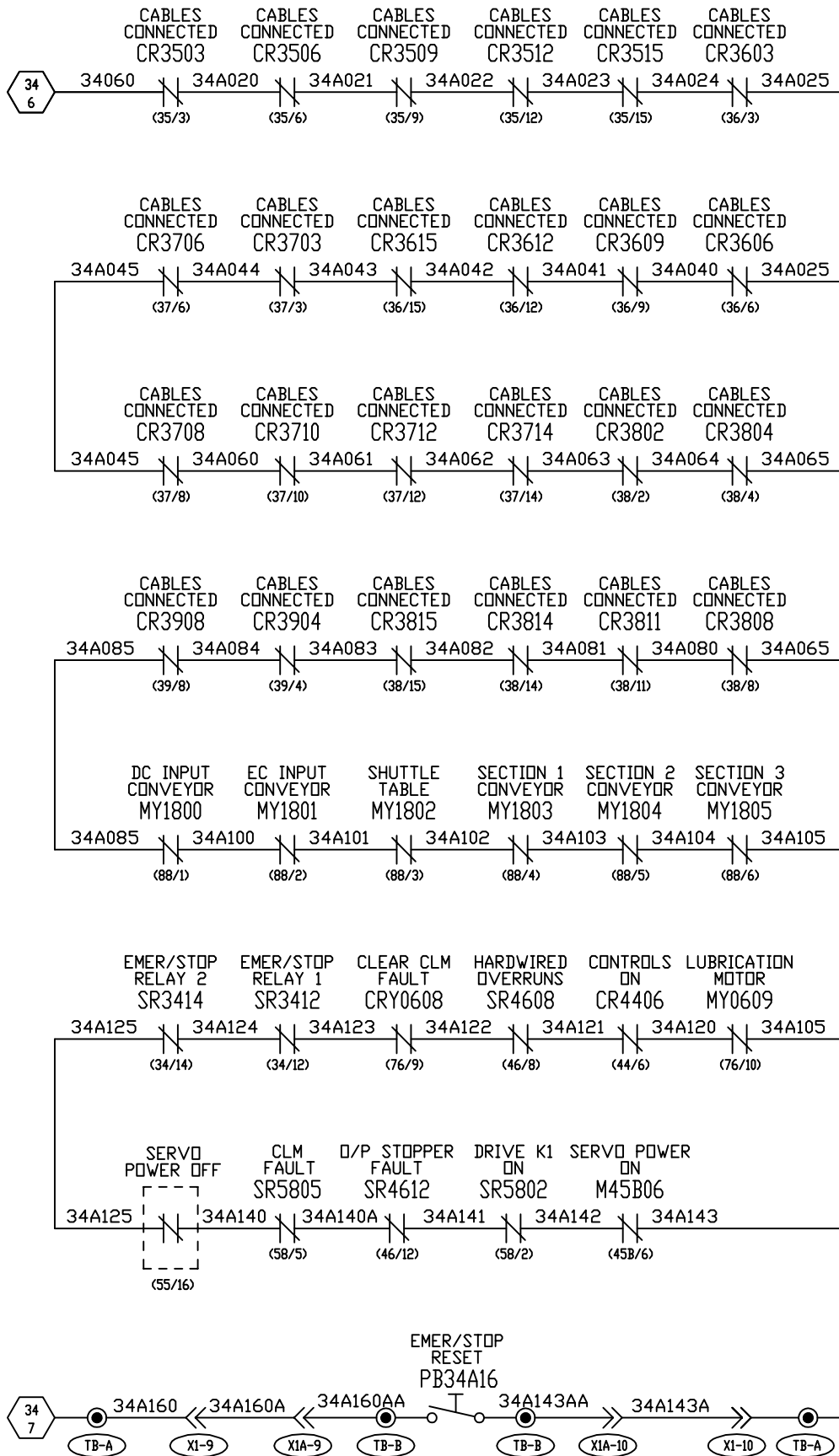
DE-FLASHING PRESS GANTRY LOADER	
TITLE	SHEET 144/145
FIELD DEVICE STOCKLIST	SHEET

JWF No. F010-4XX-144

ITEM No.	DESCRIPTION	MANUFACTURERS NAME	IDENTIFICATION DATA Type/ Order No/ Drawing No/ Std Reference Required Technical Data	BRITISH/ EUROPEAN STANDARD No.	QTY	DESIGNATION ON DIAGRAM	SCHEMATIC DIAGRAM sheet/line	LOCATION e.g control console	NOTES
400	TERMINAL BOX WITH 8mm TRIANGULAR LOCKS	MAIN SYSTEMS	300H x 400W x 240D		4			TB-G TB-L TB-M TB-P	
402	TERMINAL BOX WITH 8mm TRIANGULAR LOCKS	MAIN SYSTEMS	500H x 600W x 240D		2			TB-C TB-H	
403	TERMINAL BOX WITH 8mm TRIANGULAR LOCKS	MAIN SYSTEMS	600H x 600W x 240D		1			TB-F	
404	K4 DIE CAST ALUMINIUM TERMINAL BOX	KLIPPON	034230		1			TB-T	
405	K5 DIE CAST ALUMINIUM TERMINAL BOX	KLIPPON	034240		2			TB-D TB-E	
406	K7 DIE CAST ALUMINIUM TERMINAL BOX	KLIPPON	034260		2			TB-R TB-S	

Elect. <input checked="" type="radio"/>	DESIGN P.D.	DRAWING No F010-402-AC	 NISSAN MOTOR MANUFACTURING (UK) LIMITED No4870	DE-FLASHING PRESS GANTRY LOADER FIELD DEVICE STOCKLIST	SHEET 148
Hydr. <input type="radio"/>	DRAWN P.D.				SHEET 148
Pneum. <input type="radio"/>	CHECKED G.B.				
Lubr. <input type="radio"/>	APPROVED				
DATE APRIL 95					


JVF No. F010-4XX-148



ALL WIRES 1.0mm² BLUE
UNLESS STATED OTHERWISE

Elect.	●
Hydr.	○
Pneum.	○
Lubr.	○
DATE	APRIL 95

DESIGN	P.D.	DRAWING NO F010-401-AC
DRAWN	P.D.	
CHECKED	G.B.	
APPROVED		


FROEHLICH
FELSOMAT
 Automation & Engineering

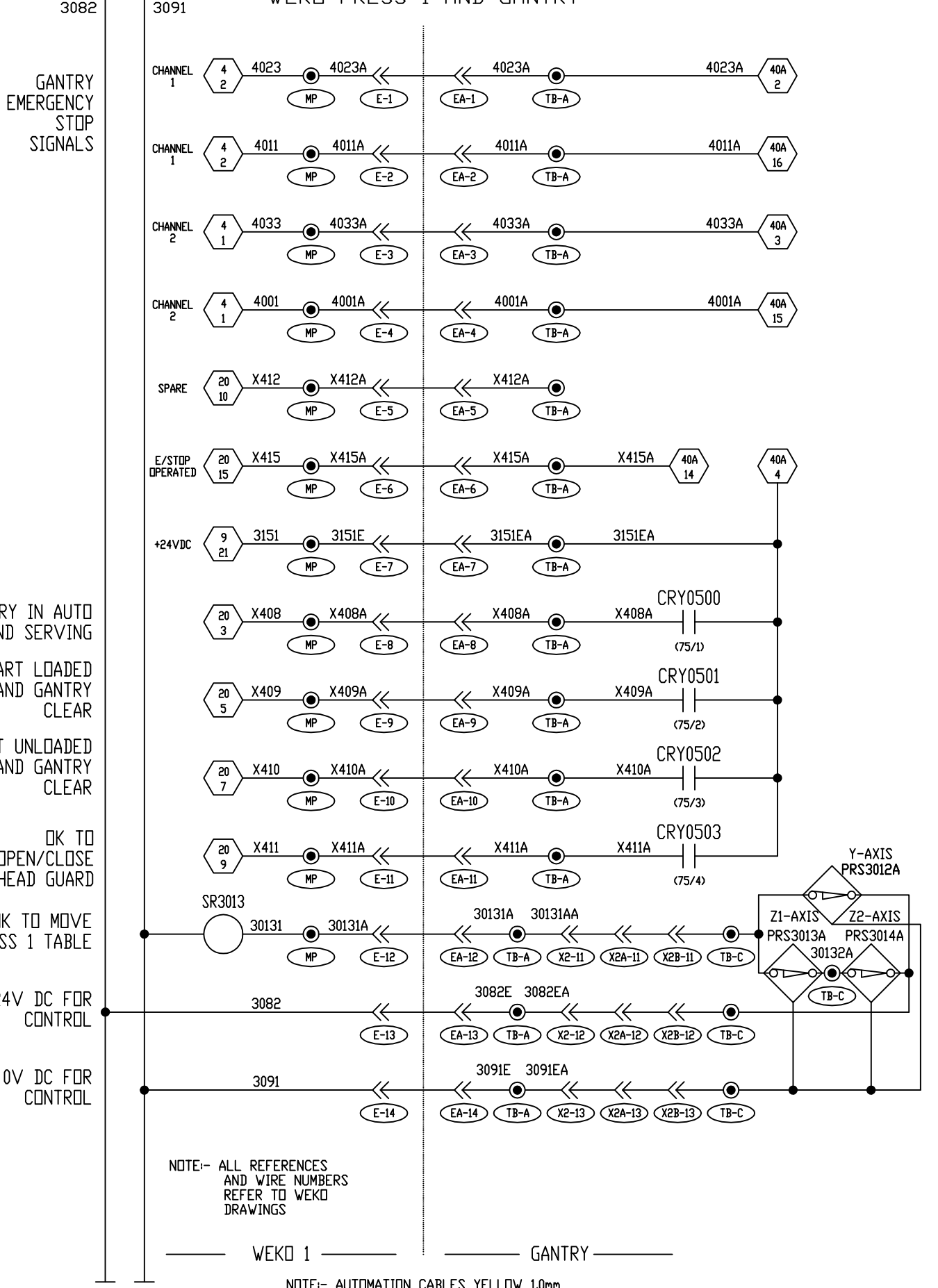
NISSAN MOTOR MANUFACTURING
 (UK) LIMITED No4870

DE-FLASHING PRESS GANTRY LOADER	
TITLE	SHEET
EMERGENCY STOP SCHEMATICS	34A/35
	SHEET
	.

JWF No.F010-4XX-034A

+24VDC 9 7 9 1 0VDC

INTERLOCKS BETWEEN WEKO PRESS 1 AND GANTRY



NOTE:- ALL REFERENCES AND WIRE NUMBERS REFER TO WEKO DRAWINGS

WEKO 1 | GANTRY

NOTE:- AUTOMATION CABLES YELLOW 1.0mm

Elect.	●
Hydr.	○
Pneum.	○
Lubr.	○
DATE	APRIL 95

DESIGN	P.D.
DRAWN	
CHECKED	P.D.
APPROVED	G.B.
DRAWING NO	F010-401-AB

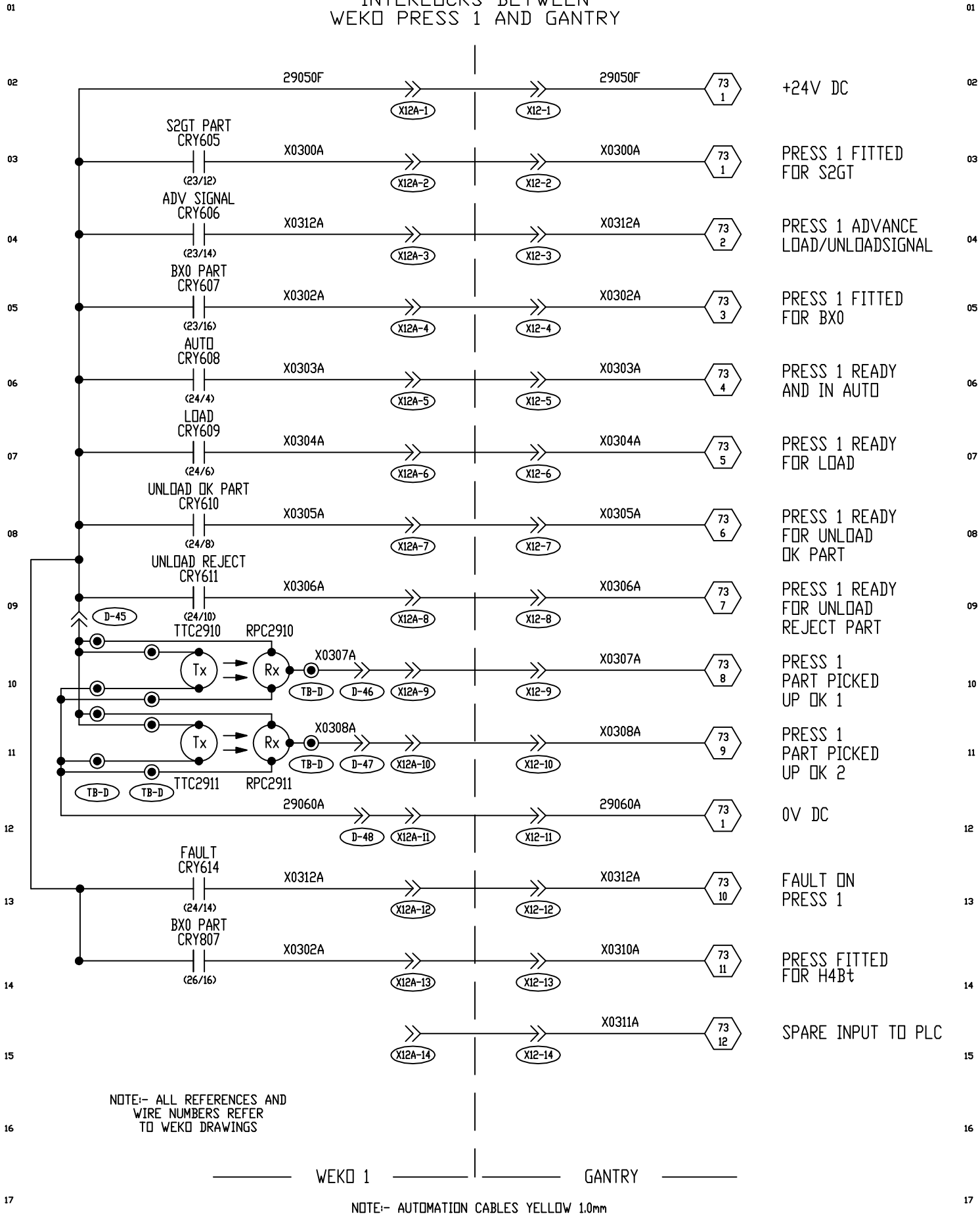
FROEHLICH
FELSO MAT
 Automation & Engineering

NISSAN MOTOR MANUFACTURING (UK) LIMITED No4870

DE-FLASHING PRESS GANTRY LOADER	
TITLE	GANTRY TO PRESS 1 INTERFACE SIGNALS
SHEET	49/49A
SHEET	

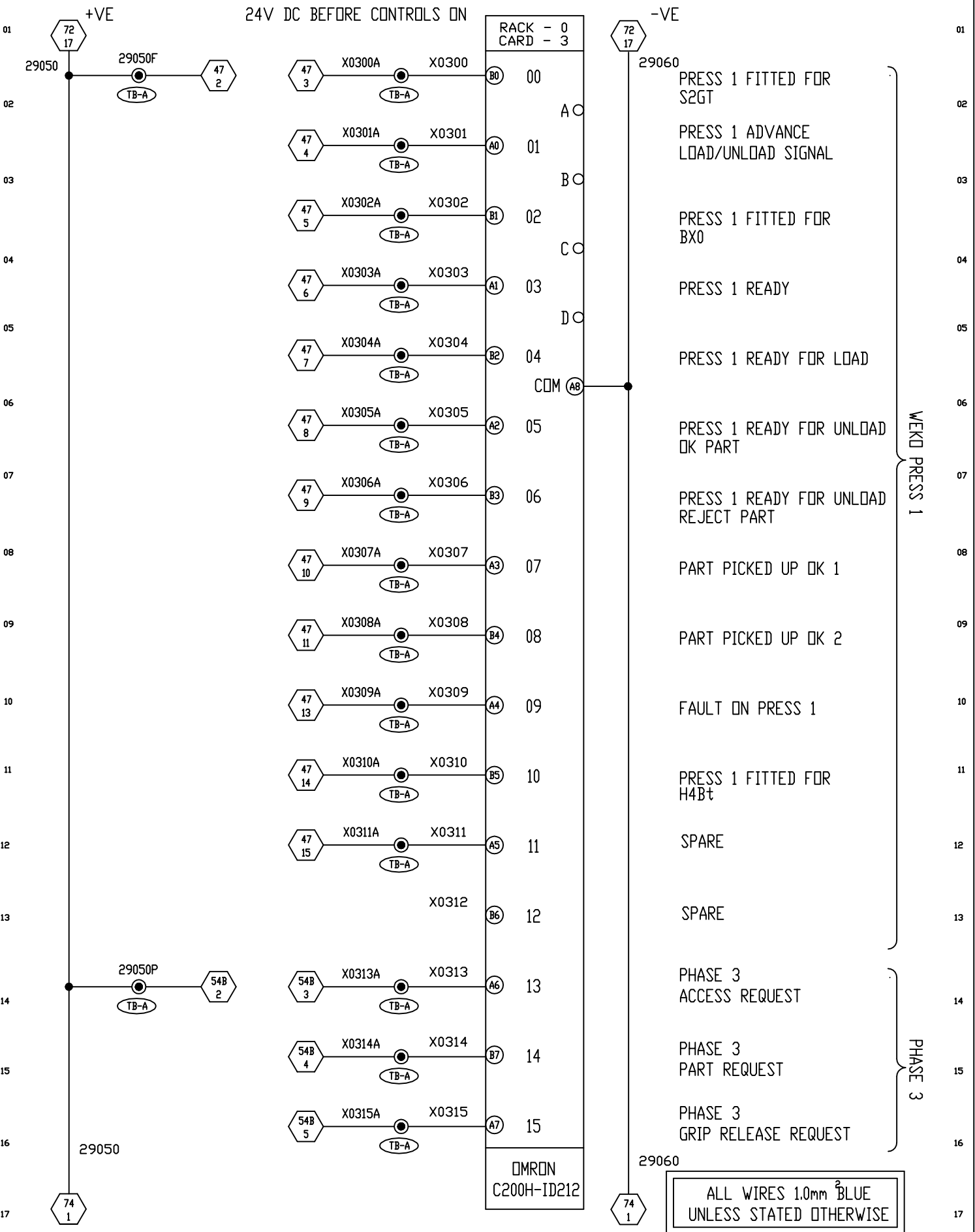
JWF No.F010-4XX-049

INTERLOCKS BETWEEN WEKO PRESS 1 AND GANTRY



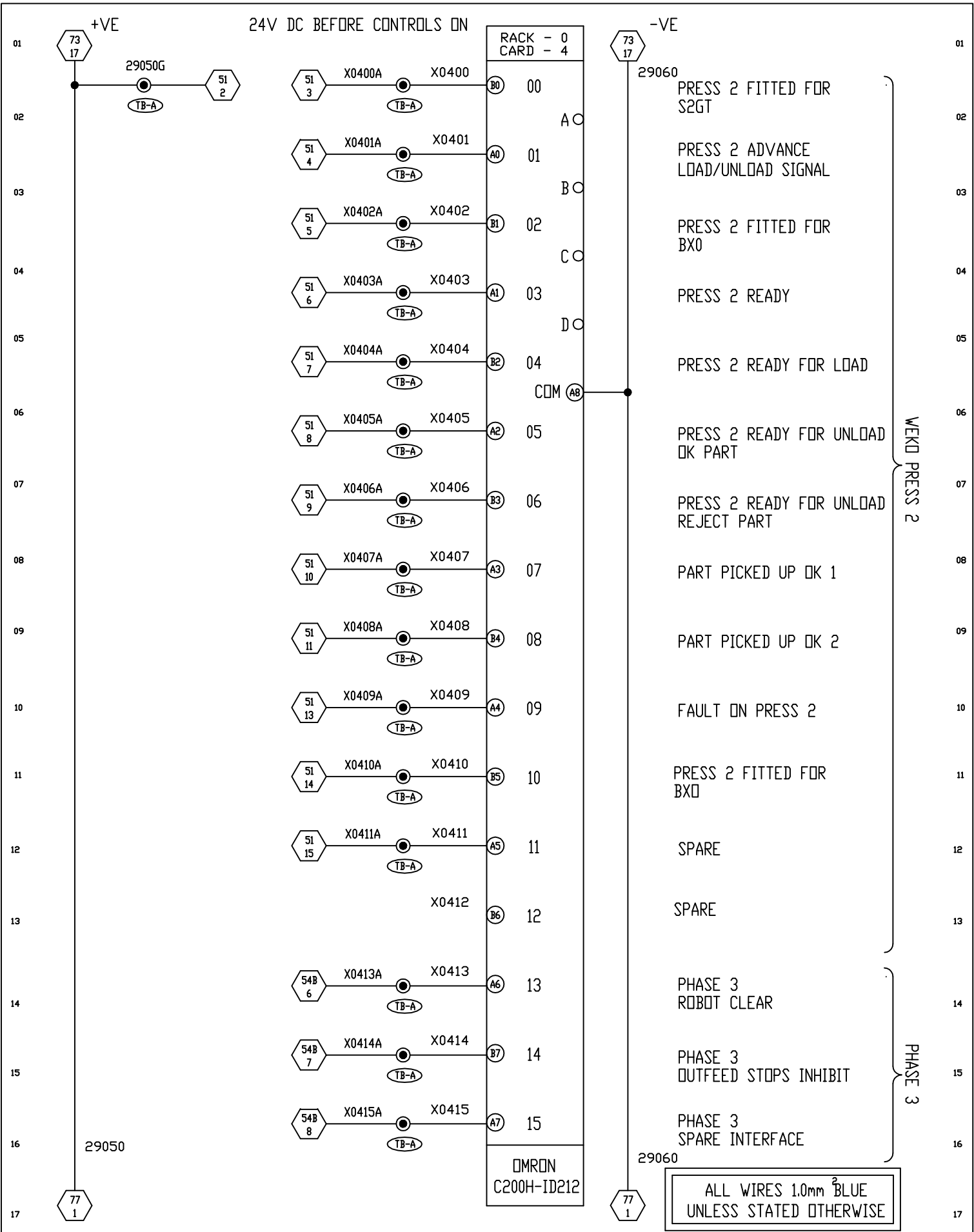
REV./DATE	APRIL 95	19/08/96	JAN 2008	SCALE N.T.S	© THIS DRAWING IS THE PROPERTY OF SILVERTECH (NORTHERN) LTD. IT IS SUPPLIED IN CONFIDENCE & MAY NOT BE COPIED OR EXHIBITED WITHOUT WRITTEN PERMISSION.	CLIENT:- NNUK Ltd.	SILVERTECH SYSTEMS DESIGNERS • CONTROL ENGINEERS TEL. (01524) 846772			
DRAWN	P.D (JWF)	R.MAUN	CONTRON	SIZE A3		TITLE:-		DE-FLASHING PRESS GANTRY LOADER PRESS 1 TO GANTRY INTERFACE SIGNALS		
CHECKED	G.B (JWF)			TOLERANCE		DRAWN R.M			CHECKED D.P	APP'D P.A.M
APPROVED				ALL DIMENSIONS IN MILLIMETRES UNLESS OTHERWISE STATED		APPROVED DATE: 19/08/96				
ECN No.	F010-401-AA	043GAN47.DWG	P0235			DOCUMENT No.	0043/GANTRY/47-47A	SHEET 47/47A		

CONTRON DRAWING REF: P0235-DRG-011/001



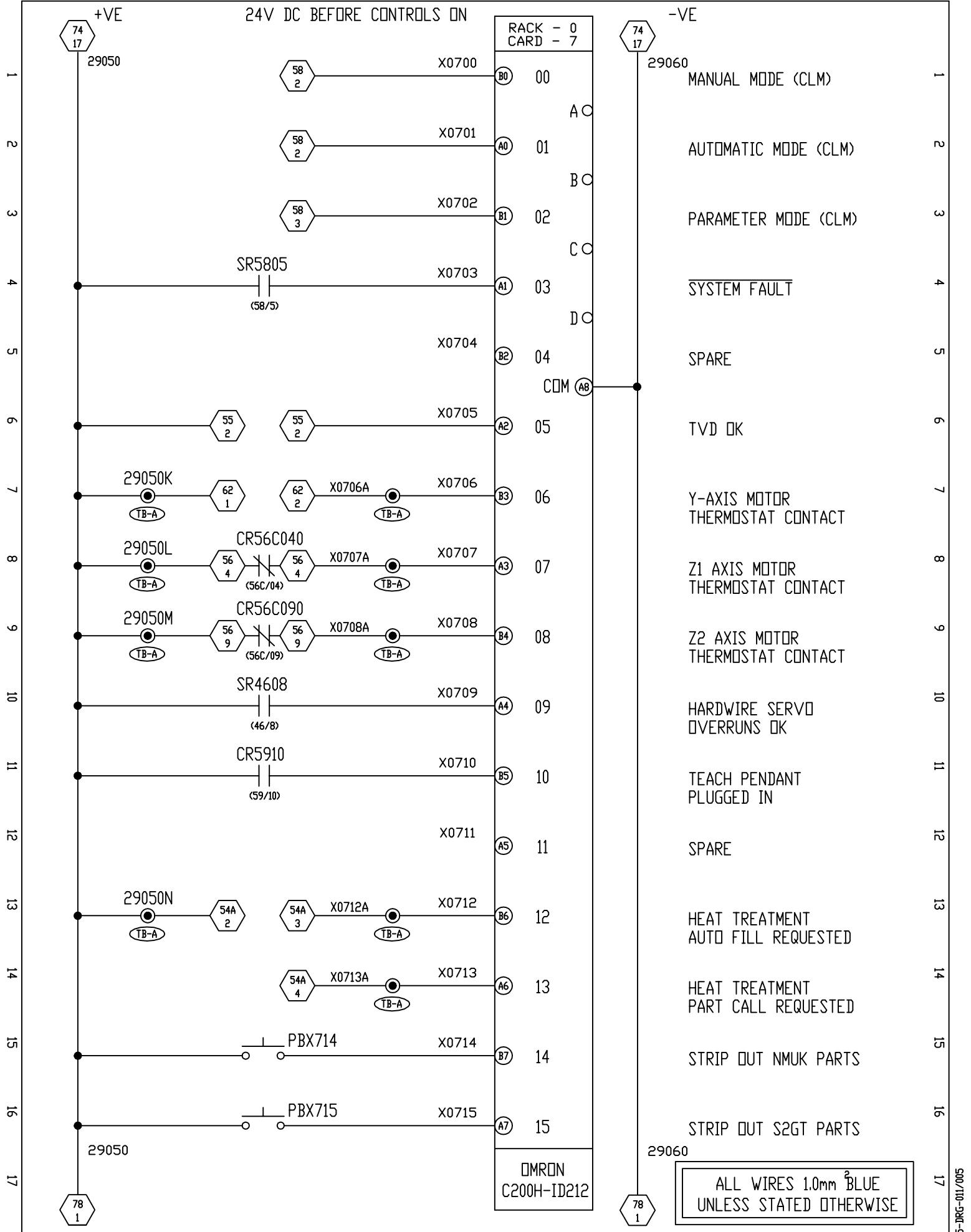
REV./DATE	APRIL 95	19/08/96	JAN 2008	SCALE N.T.S	CLIENT:- NNUK Ltd. TITLE:- DE-FLASHING PRESS GANTRY LOADER RACK-0, INPUT CARD-3 WEKO INTERFACE DRAWN R.M CHECKED D.P APP'D P.A.M APPROVED DATE: 19/08/96	SILVERTECH SYSTEMS DESIGNERS • CONTROL ENGINEERS TEL. (01524) 846772
DRAWN	P.D (JWF)	R.MAUN	CONTRON	SIZE A3		
CHECKED	G.B (JWF)			TOLERANCE		
APPROVED				ALL DIMENSIONS IN MILLIMETRES UNLESS OTHERWISE STATED		
ECN No.	F010-401-AA	043GAN73.DWG	P0235			
					DOCUMENT No.	SHEET
					0043/GANTRY/73-74	73/74

CONTRON DRAWING REF: P0235-DRG-011/003



REV./DATE	APRIL 95	19/08/96	JAN 2008	SCALE N.T.S	CLIENT:- NNUK Ltd. TITLE:- DE-FLASHING PRESS GANTRY LOADER RACK-0, INPUT CARD-4 WEKO INTERFACE DRAWN R.M CHECKED D.P APP'D P.A.M APPROVED DATE: 19/08/96	SILVERTECH SYSTEMS DESIGNERS • CONTROL ENGINEERS TEL. (01524) 846772	DOCUMENT No. 0043/GANTRY/74-75	SHEET 74/75
DRAWN	P.D (JWF)	R.MAUN	CONTRON	SIZE A3				
CHECKED	G.B (JWF)			TOLERANCE				
APPROVED				ALL DIMENSIONS IN MILLIMETRES UNLESS OTHERWISE STATED				
ECN No.	F010-401-AA	043GAN74.DWG	P0235					

CONTRON DRAWING REF: P0235-DRG-011/004



Elect. ●
Hydr. ○
Pneum. ○
Lubr. ○
DATE APRIL 95

DESIGN	P.D.	DRAWING No F010-401-AE
DRAWN		
CHECKED	G.B.	
APPROVED		

FROEHLICH
FELSO MAT
Automation & Engineering

NISSAN MOTOR MANUFACTURING (UK) LIMITED No4870

TITLE RACK - 0 INPUT CARD - 7 INDRAMAT INTERFACE		SHEET 77/78
		SHEET

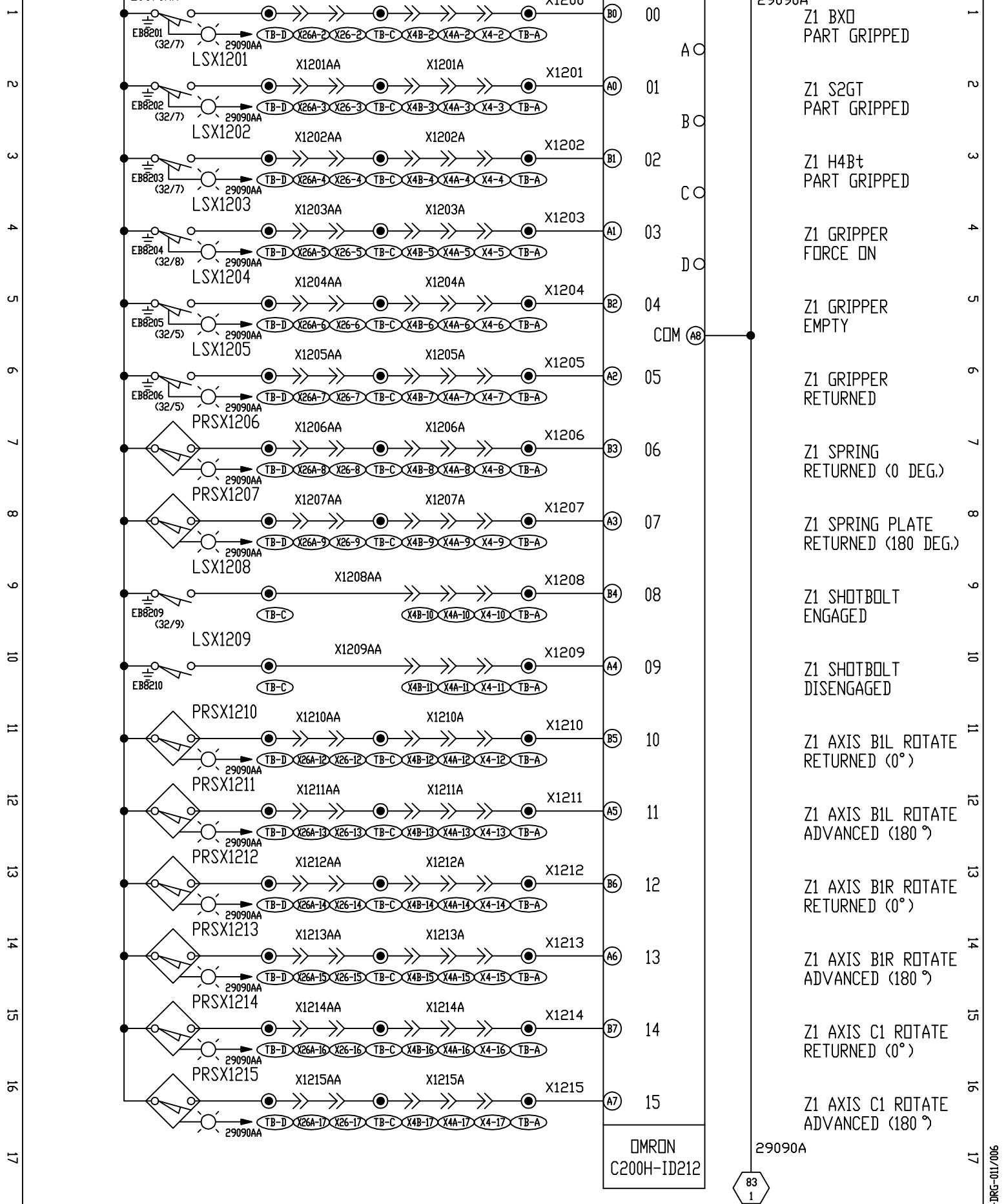
500/110-DRG-REF: P0235-DRG-ENG/ING

+VE

24V DC BEFORE CONTROLS ON

RACK - 1
CARD - 2

-VE



OMRON
C200H-ID212

29090A

83
1

Elect.
 Hydr.
 Pneum.
 Lubr.
 DATE
 APRIL 95

DESIGN P.D.
 DRAWN
 CHECKED
 G.B.
 APPROVED

CHANGES
 DATE NAME
 JAN 08
 DRAWING No
 F010-401-AB

FROEHLICH
FELSOMAT
 Automation & Engineering
 NISSAN MOTOR MANUFACTURING
 (UK) LIMITED No4870

DE-FLASHING PRESS GANTRY LOADER
 TITLE
 RACK - 1
 INPUT CARD - 2
 CABINET
 SHEET
 82/83
 SHEET

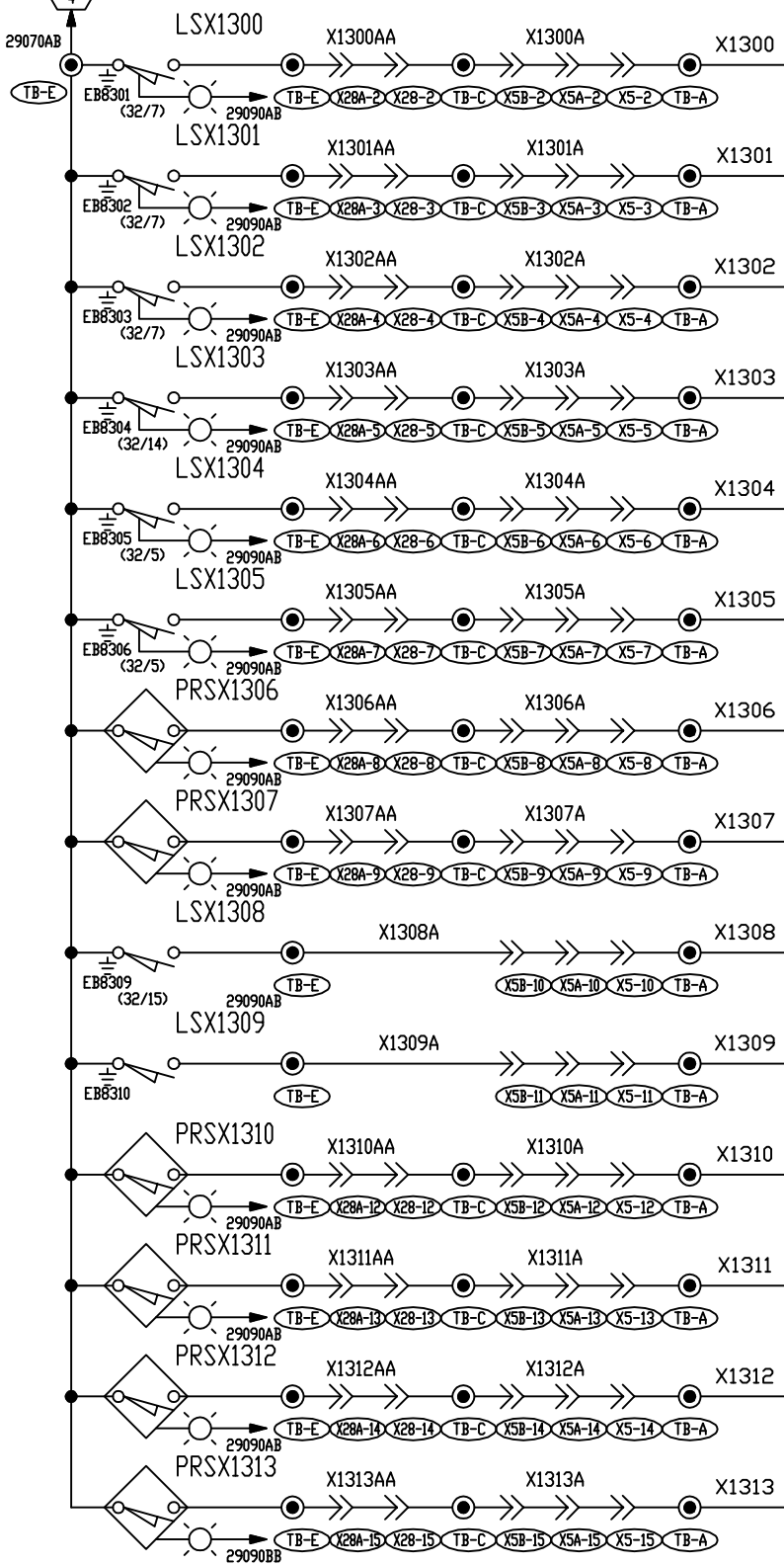
900/110-DRG-REF: P0235-DRG-ENG/INT

+VE

24V DC BEFORE CONTROLS ON

-VE

1
2
3
4
5
6
7
8
9
10
11
12
13
14
15
16
17



RACK - 1	00	B0
CARD - 3	01	A0
	02	B1
	03	A1
	04	B2
	05	A2
	06	B3
	07	A3
	08	B4
	09	A4
	10	B5
	11	A5
	12	B6
	13	A6
	14	B7
	15	A7
OMRON C200H-ID212		

29090A	1	Z2 BXD PART GRIPPED
	2	Z2 S2GT PART GRIPPED
	3	Z2 H4Bt PART GRIPPED
	4	Z2 GRIPPER FORCE ON
	5	Z2 GRIPPER EMPTY
	6	Z2 GRIPPER RETURNED
	7	Z2 SPRING RETURNED (0°)
	8	Z2 SPRING PLATE RETURNED (180°)
	9	Z2 SHOTBOLT ENGAGED
	10	Z2 SHOTBOLT DISENGAGED
	11	Z2 AXIS B2L ROTATE RETURNED (0°)
	12	Z2 AXIS B2L ROTATE ADVANCED (180°)
	13	Z2 AXIS B2R ROTATE RETURNED (0°)
	14	Z2 AXIS B2R ROTATE ADVANCED (180°)
	15	SPARE
	16	SPARE
29090	17	

Elect.	●
Hydr.	○
Pneum.	○
Lubr.	○
DATE	APRIL 95

DESIGN	P.D.
DRAWN	
CHECKED	P.D.
APPROVED	G.B.
DRAWING No	F010-401-AB

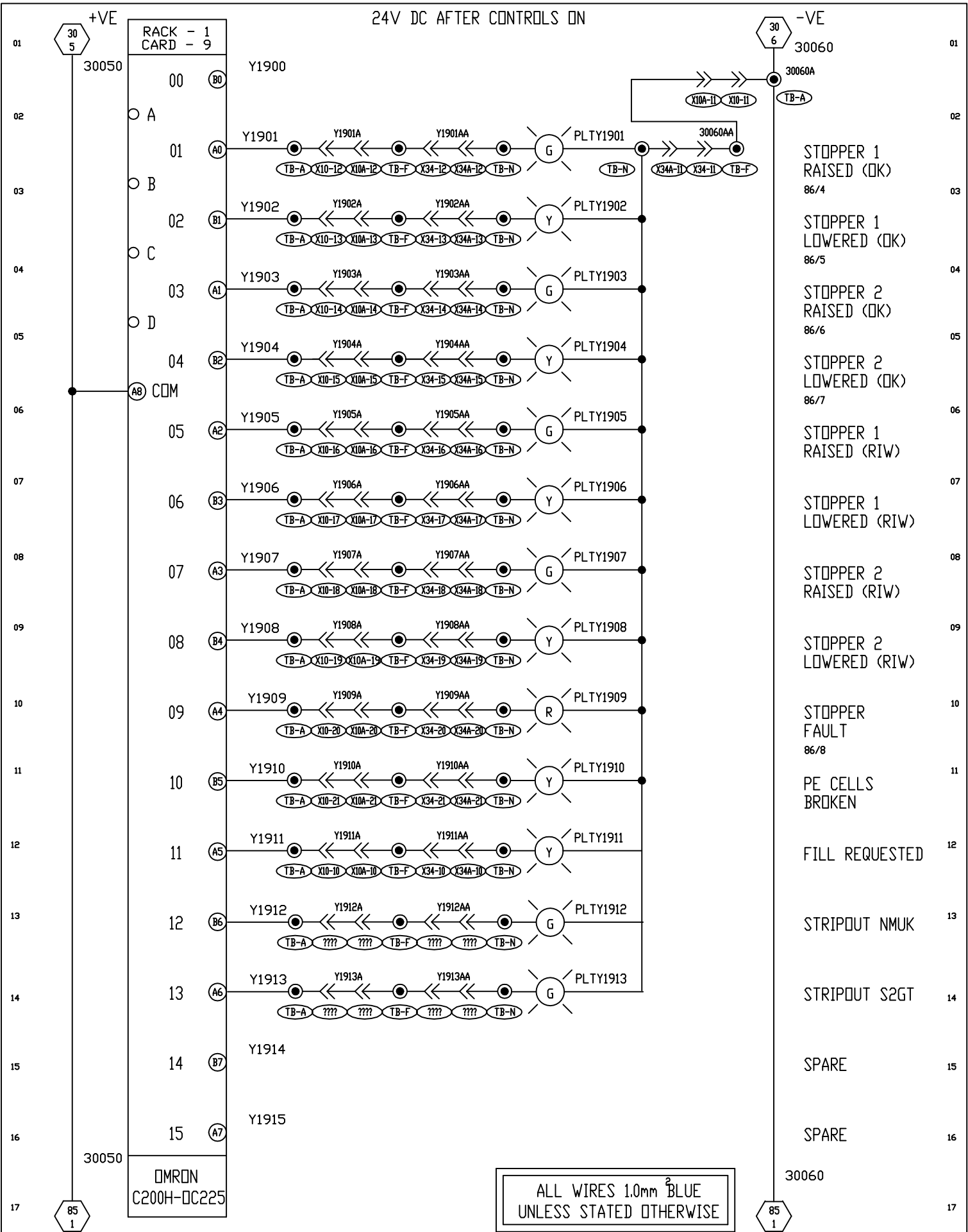
FROEHLICH
FELSO MAT
Automation & Engineering

NISSAN MOTOR MANUFACTURING
(UK) LIMITED No4870

DE-FLASHING PRESS GANTRY LOADER	
TITLE	RACK - 1 INPUT CARD - 3 CABINET
SHEET	83/84
SHEET	


1/00/110-DRG-REF: P0235-DRG-ENG

24V DC AFTER CONTROLS ON

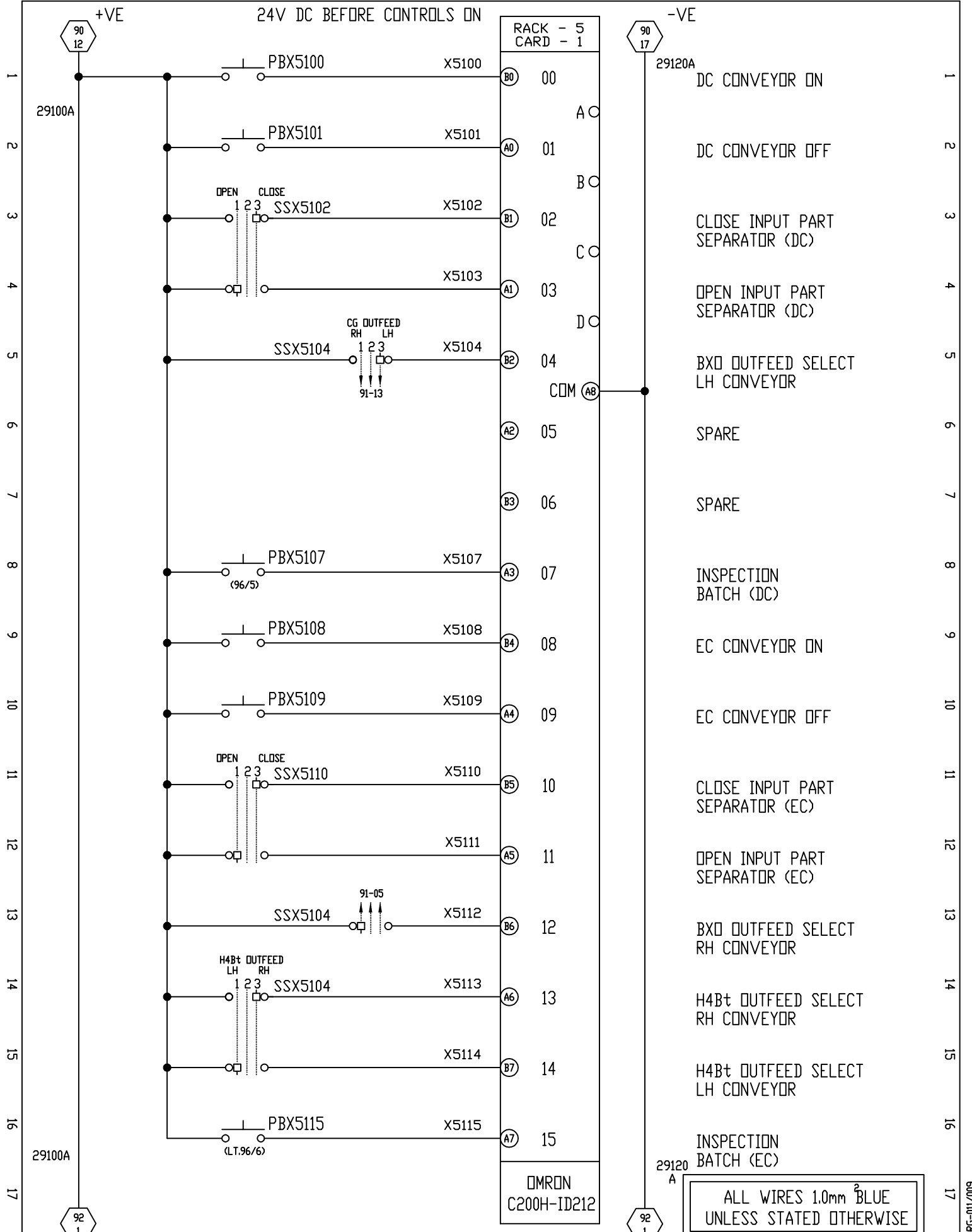


- STOPPER 1 RAISED (OK) 86/4
- STOPPER 1 LOWERED (OK) 86/5
- STOPPER 2 RAISED (OK) 86/6
- STOPPER 2 LOWERED (OK) 86/7
- STOPPER 1 RAISED (RIW)
- STOPPER 1 LOWERED (RIW)
- STOPPER 2 RAISED (RIW)
- STOPPER 2 LOWERED (RIW)
- STOPPER FAULT 86/8
- PE CELLS BROKEN
- FILL REQUESTED
- STRIPOUT NMUK
- STRIPOUT S2GT
- SPARE
- SPARE

ALL WIRES 1.0mm² BLUE UNLESS STATED OTHERWISE

REV./DATE	APRIL 95	19/08/96	JAN 2008	SCALE N.T.S	© THIS DRAWING IS THE PROPERTY OF SILVERTECH (NORTHERN) LTD. IT IS SUPPLIED IN CONFIDENCE & MAY NOT BE COPIED OR EXHIBITED WITHOUT WRITTEN PERMISSION.	CLIENT:- NMUK Ltd.	 TEL. (01524) 846772		
DRAWN	P.D (JWF)	R.MAUN	CONTRON	SIZE A3		TITLE:- DE-FLASHING PRESS GANTRY LOADER RACK-1, OUTPUT CARD-9 CABINET			
CHECKED	G.B (JWF)			TOLERANCE		DRAWN R.M		CHECKED D.P	APP'D P.A.M
APPROVED				ALL DIMENSIONS IN MILLIMETRES UNLESS OTHERWISE STATED		APPROVED DATE: 19/08/96		DOCUMENT No. 0043/GANTRY/89-90	SHEET 89/90
ECN No.	F010-401-AB	043GAN89.DWG	P0235						

CONTRON DRAWING REF: P0235-DRG-011/008



RACK - 5	
CARD - 1	
00	A0
01	B0
02	C0
03	D0
04	COM (A8)
05	A2
06	B3
07	A3
08	B4
09	A4
10	B5
11	A5
12	B6
13	A6
14	B7
15	A7
OMRON C200H-ID212	

ALL WIRES 1.0mm² BLUE
UNLESS STATED OTHERWISE

Elect.	●
Hydr.	○
Pneum.	○
Lubr.	○
DATE	APRIL 95

DESIGN	P.D.
DRAWN	
CHECKED	P.D.
APPROVED	G.B.
DRAWING No	F010-401-AB

FROEHLICH
FELSOMAT
Automation & Engineering

NISSAN MOTOR MANUFACTURING
(UK) LIMITED No4870

DE-FLASHING PRESS GANTRY LOADER	
TITLE	RACK - 5 INPUT CARD - 1 CONSOLE
SHEET	91/92
SHEET	

600/110-DRG-REF: P0235-DRG-ENG/ING REF: P0235-DRG-ENG/ING