

# D Series 237mm Downlighter



D  
Series

www.fluorel.co.uk

## Reflectors

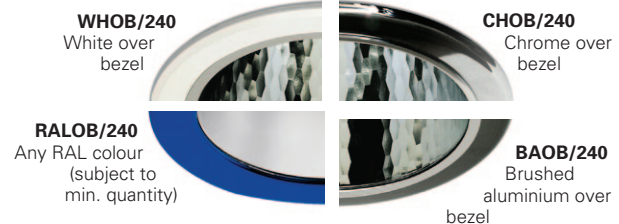


09/15

### Features

- Die-cast bezel with UB option for a wide range of accessories
- 500mm LSF supply lead
- Ballast life of up to 100,000 hours
- Lamp life of up to 24,000 hours
- LED emergency option
- IP65 bezel options available

### Bezel colour



Add suffix /UB for bezel to use attachments.

### Lamps

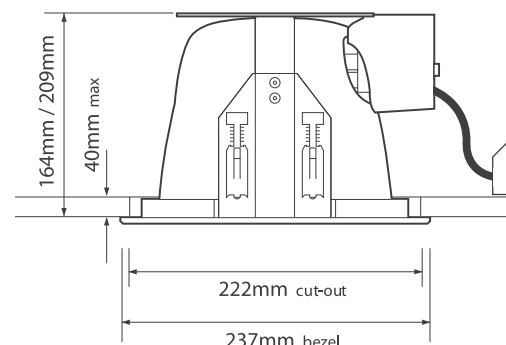
- 1 x 26W PLT
- 1 x 32W PLT
- 1 x 42W PLT
- 2 x 14W PLR
- 2 x 17W PLR
- 2 x 26W PLT
- 2 x 32W PLT
- 2 x 42W PLT

### Control gear

- Standard (high frequency)
- **/DIM** 1-100 dimming
- **/ECO** DSI digital dimming
- **/DALI** Dali dimming

### Integral or remote gear

- Standard (Integrated gear)  
Recess depth 209mm
- **/SV** (slimline version)  
Ideal for shallow ceiling voids  
Recess depth 164mm



### Emergency options

#### /EMG

Remotely mounted 3hr emergency inverter with batteries and green LED

#### /STEMG

Remotely mounted 3hr self test inverter with batteries and green LED

#### /ILEM

Integral mounted 3hr emergency LED

#### /STILEM

Integral mounted 3hr self test emergency LED

**Fluorel** Lighting  
Lighting for a brighter future

**Fluorel Lighting is a leading supplier  
of innovative energy efficient lighting**

# 237mm LED Downlight Series [www.fluorel.co.uk/products/PDFs](http://www.fluorel.co.uk/products/PDFs)

## Reflectors



### Features

- Large 237mm die-cast bezel with UB option for a wide range of accessories
- Matched with Philips Xitanium drivers for optimum performance
- Up to 5000 lumen output
- IP65 bezel options
- Dimming, tunable white and colour change options
- Emergency conversion options
- Life 50,000 hours (L70)

### LED source

- 1,100 lumens
- 2,000 lumens
- 3,000 lumens
- 5,000 lumens

### Control gear

- Standard (fixed output)
- **/DALI** Dali dimming
- **/DMX** Colour changing

### Emergency options

#### **/EMG**

Remotely mounted 3hr emergency inverter with batteries and green LED

#### **/STEMG**

Remotely mounted 3hr self test inverter with batteries and green LED

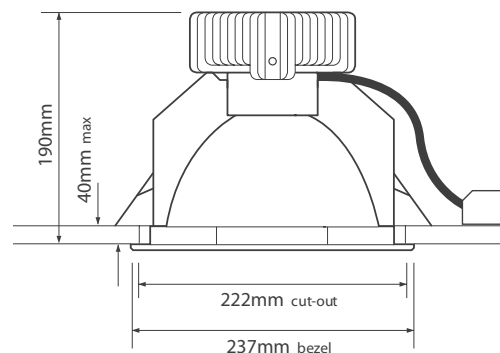
#### **/ILEM**

Integral mounted 3hr emergency LED

#### **/STILEM**

Integral mounted 3hr self test emergency LED

### Remote gear












# 237mm Attachments [www.fluorel.co.uk/products/PDFs](http://www.fluorel.co.uk/products/PDFs)

## 237mm Attachments

The 237mm attachments are factory fitted and are not changeable. All drop glass attachments are provided with spacers. A rating of IP44 can be achieved by removing the spacers and applying the glass (except halo styles) directly onto the bezel.

### Decorative Bezel

<p><b>DG001</b> Outer etched glass</p> 	<p><b>DG002</b> Clear glass</p> 	<p><b>DG003</b> Centre etched glass</p> 	<p><b>DG005</b> Clear halo glass</p> 	<p><b>DG006</b> Etched halo glass</p> 
<p><b>DG007</b> Fully etched glass</p> 	<p><b>DG012</b> Blue halo acrylic</p> 	<p><b>DG013</b> Red halo acrylic</p> 	<p><b>DG014</b> Green halo acrylic</p> 	

### Corona Bezel

<p><b>CG001</b> Outer etched glass</p> 	<p><b>CG002</b> Clear glass</p> 	<p><b>CG003</b> Centre etched glass</p> 	<p><b>CG005</b> Clear halo glass</p> 	<p><b>CG006</b> Etched halo glass</p> 
<p><b>CG007</b> Fully etched glass</p> 	<p><b>CG012</b> Blue halo acrylic</p> 	<p><b>CG013</b> Red halo acrylic</p> 	<p><b>CG014</b> Green halo acrylic</p> 	

### IP65 Sealed Accessories

<p><b>IP65/002</b> IP65 clear glass</p> 	<p><b>IP65/008</b> IP65 opal polycarbonate</p> 	<p><b>IP65/009</b> IP65 clear polycarbonate</p> 
---	--	---

## 100 Series 237mm Modules: Philips DLM Nominal weight: 1.3kg

Model Ref	Colour Temp (K)	Colour Rendering (Ra)	Life (L70) (hours)	Module output (lm)	System power (tcW)	System efficacy (lm/tcW)	Luminaire LOR (%)	Luminaire efficacy (lm/tcW)
100.1100.30	3000	80	50,000	1100	13.9	79.0	92	72.7
100.1100.40	4000	80	50,000	1100	12.6	87.0	92	80.0
100.2000.30	3000	80	50,000	2000	24.7	81.0	92	74.5
100.2000.40	4000	80	50,000	2000	22.2	90.0	92	82.8
100.3000.30	3000	80	50,000	3000	37.0	81.0	92	74.5
100.3000.40	4000	80	50,000	3000	33.7	89.0	92	81.9
100.5000.30	3000	80	50,000	5000	62.5	80.0	92	73.6
100.5000.40	4000	80	50,000	5000	57.5	87.0	92	80.0

## 101 Series 237mm Modules: Philips DLM Nominal weight: 1.3kg

Model Ref	Colour Temp (K)	Colour Rendering (Ra)	Life (L70) (hours)	Module output (lm)	System power (tcW)	System efficacy (lm/tcW)	Luminaire LOR (%)	Luminaire efficacy (lm/tcW)
101.1100.30	3000	80	50,000	1100	13.9	79.0	95	75.1
101.1100.40	4000	80	50,000	1100	12.6	87.0	95	82.7
101.2000.30	3000	80	50,000	2000	24.7	81.0	95	77.0
101.2000.40	4000	80	50,000	2000	22.2	90.0	95	85.5
101.3000.30	3000	80	50,000	3000	37.0	81.0	95	77.0
101.3000.40	4000	80	50,000	3000	33.7	89.0	95	84.6
101.5000.30	3000	80	50,000	5000	62.5	80.0	95	73.6
101.5000.40	4000	80	50,000	5000	57.5	87.0	95	80.0

## 6.65 Series 237mm Nominal weight: 1.5kg

Model Ref	Wattage	Colour Temp (K)	Lamp Type
6.651026L	1 x 26w	4000	PLT
6.651032L	1 x 32w	4000	PLT
6.651042L	1 x 42w	4000	PLT
6.652014L	2 x 14w	4000	PLR
6.652017L	2 x 17w	4000	PLR
6.652026L	2 x 26w	4000	PLT
6.652032L	2 x 32w	4000	PLT
6.652042L	2 x 42w	4000	PLT

## 6.66 Series 237mm Nominal weight: 1.5kg

Model Ref	Wattage	Colour Temp (K)	Lamp Type
6.661026L	1 x 26w	4000	PLT
6.661032L	1 x 32w	4000	PLT
6.661042L	1 x 42w	4000	PLT
6.662014L	2 x 14w	4000	PLR
6.662017L	2 x 17w	4000	PLR
6.662026L	2 x 26w	4000	PLT
6.662032L	2 x 32w	4000	PLT
6.662042L	2 x 42w	4000	PLT

## 6.89 Series 237mm Nominal weight: 1.5kg

Model Ref	Wattage	Colour Temp (K)	Lamp Type
6.891026L	1 x 26w	4000	PLT
6.891032L	1 x 32w	4000	PLT
6.891042L	1 x 42w	4000	PLT
6.892014L	2 x 14w	4000	PLR
6.892017L	2 x 17w	4000	PLR
6.892026L	2 x 26w	4000	PLT
6.892032L	2 x 32w	4000	PLT
6.892042L	2 x 42w	4000	PLT

## 6.93 Series 237mm Nominal weight: 1.5kg

Model Ref	Wattage	Colour Temp (K)	Lamp Type
6.931026L	1 x 26w	4000	PLT
6.931032L	1 x 32w	4000	PLT
6.931042L	1 x 42w	4000	PLT
6.932014L	2 x 14w	4000	PLR
6.932017L	2 x 17w	4000	PLR
6.932026L	2 x 26w	4000	PLT
6.932032L	2 x 32w	4000	PLT
6.932042L	2 x 42w	4000	PLT

### Fluorel Lighting Limited Designers and manufacturers of lighting fittings

Unit 25 Eldon Way, Hockley  
Essex SS5 4AD  
Tel +44(0)8458 643 643 Fax +44(0)20 8506 1792  
info@fluorel.co.uk www.fluorel.co.uk

