

# D Series

## 186mm Gimbals & Scoops

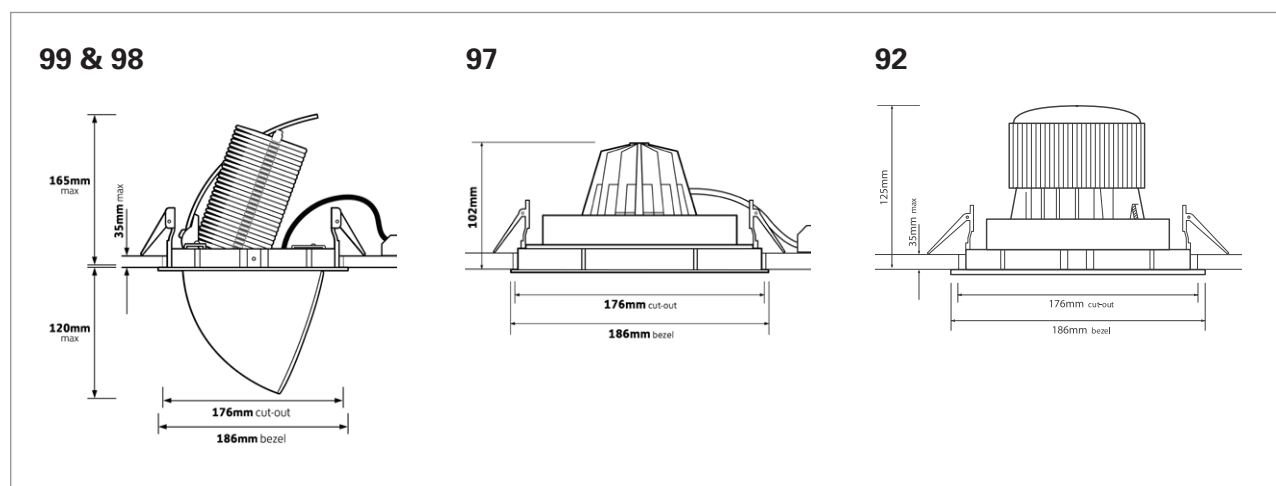


D  
Series

www.fluorel.co.uk

09/15

### Lamps & Reflectors



#### Features

- Flexible luminaire with interchangeable modules and optics
- Emergency option
- Upto 4000lm output
- Choice of colour temperatures
- Excellent efficacy up to 113 lm/w

#### Emergency options

- /ILEM**  
Integral mounted 3hr emergency LED
- /STILEM**  
Integral mounted 3hr self test emergency LED

#### Lamps

- 1000 lumen
- 2000 lumen
- 3000 lumen
- 4000 lumen

#### Control gear

- Standard (high frequency)
- **/DIM** 1-10V dimming
- **/ECO** DSI digital dimming
- **/DALI** Dali dimming

**Fluorel**Lighting  
Lighting for a brighter future

**Fluorel Lighting is a leading supplier of innovative energy efficient lighting**

## Lamps & Reflectors



**79**  
Multi faceted reflector  
Fortimo SLM

**77**  
Round faceted sparkle  
reflector XSM

**76**  
Highly specular  
reflector XSM

**6.05**  
Diamond faceted  
reflector

### Features

- Flexible luminaire with interchangeable modules and optics
- Emergency option
- Upto 4000lm output
- Choice of colour temperatures
- Excellent efficacy up to 113 lm/w

### Lamps

- 1 x 14W PLR
- 1 x 17W PLR
- 1 x 26W PLC
- 1 x 32W PLT
- 700 lumen
- 800 lumen
- 1000 lumen
- 1100 lumen
- 1300 lumen
- 2000 lumen
- 3000 lumen

### Control gear

- Standard (high frequency)
- **/DIM** 1-10V dimming
- **/ECO** DSI digital dimming
- **/DALI** Dali dimming

### Emergency options

#### **/EMG**

Remotely mounted 3hr emergency inverter with batteries and green LED

#### **/STEMG**

Remotely mounted 3hr self test inverter with batteries and green LED

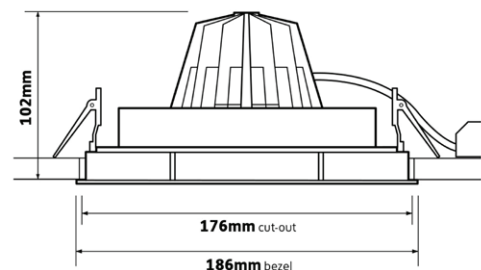
#### **/ILEM**

Integral mounted 3hr emergency LED

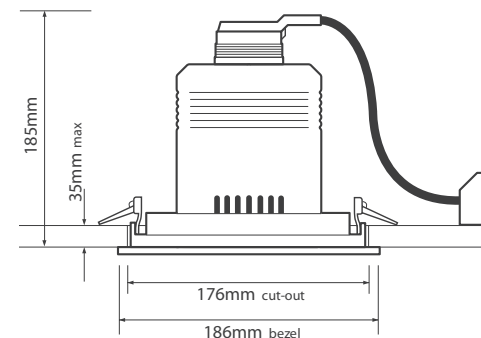
#### **/STILEM**

Integral mounted 3hr self test emergency LED

### 79, 77, 76



### 6.05



# 186mm Attachments [www.fluorel.co.uk/products/PDFs](http://www.fluorel.co.uk/products/PDFs)

## Accessories (No accessories for 98 & 99)

<p><b>TA210/Frost</b> Frost vertical halo</p>  <p>Available: 92, 97, 79, 77, 6.05 &amp; 76</p>	<p><b>TA210/Blue</b> Blue vertical halo</p>  <p>Available: 92, 97, 79, 77, 6.05 &amp; 76</p>	<p><b>TA206</b> IP54 glass scatter dome</p>  <p>Available: 92, 97, 79, 77, 6.05 &amp; 77</p>	<p><b>TA220</b> Frosted hi-light</p>  <p>Available: 97, 79, 77 &amp; 76</p>	<p><b>TA220/Blue</b> Blue-hi-light</p>  <p>Available: 97, 79, 77 &amp; 76</p>
<p><b>TA240</b> Clear glass</p>  <p>Available: 97, 79, 77, 6.05 &amp; 76</p>	<p><b>TA241</b> Centre etched glass</p>  <p>Available: 97, 79, 77, 6.05 &amp; 76</p>	<p><b>TA242</b> Fully etched glass</p>  <p>Available: 97, 79, 77, 6.05 &amp; 76</p>		

## Technical

### 99 Series Scoop Modules: Tridonic SLE Nominal weight: 1.5kg

Model Ref	Operating status	Colour Temp (K)	Colour Rendering (Ra)	Life (L70) (hours)	Module output (lm)	System power (tcW)	System efficacy (lm/tcW)	Luminaire LOR (%)	Luminaire efficacy (llm/tcW)
99.2001	HE	3000	80	50,000	1300	13.3	98.0	85	83.3
99.2002	BLO	3000	80	50,000	2000	21.5	93.0	85	79.1
99.2003	HE	4000	80	50,000	1500	13.3	113.0	85	96.1
99.2004	BLO	4000	80	50,000	2000	19.4	103.0	85	87.6
99.2005	HE	3000	90	50,000	1110	13.2	84.0	85	71.4
99.2006	BLO	3000	90	50,000	1780	23.7	75.0	85	63.8
99.2007	HE	4000	90	50,000	1250	13.2	95.0	85	80.8
99.2008	BLO	4000	90	50,000	1830	21.8	84.0	85	71.4
99.3001	HE	3000	80	50,000	1900	18.8	101.0	85	85.9
99.3002	BLO	3000	80	50,000	3000	33.3	90.0	85	76.5
99.3003	HE	4000	80	50,000	2100	18.8	112.0	85	95.2
99.3004	BLO	4000	80	50,000	3000	28.8	104.0	85	88.4
99.3005	HE	3000	90	50,000	1520	18.8	81.0	85	68.9
99.3006	BLO	3000	90	50,000	2430	33.3	73.0	85	62.1
99.3007	HE	4000	90	50,000	1790	18.8	95.0	85	80.8
99.3008	BLO	4000	90	50,000	2700	31.4	86.0	85	73.1
99.4001	HE	3000	80	50,000	2600	26.5	98.0	85	83.3
99.4002	BLO	3000	80	50,000	4000	45.5	88.0	85	74.8
99.4003	HE	4000	80	50,000	2900	26.4	110.0	85	93.5
99.4004	BLO	4000	80	50,000	4000	38.8	103.0	85	87.6
99.4005	HE	3000	90	50,000	2260	26.6	85.0	85	72.3
99.4006	BLO	3000	90	50,000	3520	45.7	77.0	85	65.5
99.4007	HE	4000	90	50,000	2410	26.5	91.0	85	77.4
99.4008	BLO	4000	90	50,000	3600	43.4	83.0	85	70.6

### 98 Series Scoop Modules: Philips SLM Nominal weight: 1.5kg

Model Ref	Colour Temp (K)	Colour Rendering (Ra)	Life (L70) (hours)	Module output (lm)	System power (tcW)	System efficacy (lm/tcW)	Luminaire LOR (%)	Luminaire efficacy (llm/tcW)
98.801	3000	80	50,000	800	11.4	70.0	85	59.6
98.802	4000	80	50,000	800	9.3	86.0	85	73.1
98.1101	3000	80	50,000	1100	16.0	69.0	85	58.4
98.1102	4000	80	50,000	1100	13.8	80.0	85	67.8
98.2001	3000	80	50,000	2000	22.0	91.0	85	77.3
98.2002	4000	80	50,000	2000	20.4	98.0	85	83.3
98.3001	3000	80	50,000	3000	32.6	92.0	85	78.2
98.3002	4000	80	50,000	3000	30.6	98.0	85	83.3

## 97 Series Gimbal Modules: Tridonic SLE Nominal weight: 1.0kg

Model Ref	Operating status	Colour Temp (K)	Colour Rendering (Ra)	Life (L70) (hours)	Module output (lm)	System power (tcW)	System efficacy (lm/tcW)	Luminaire LOR (%)	Luminaire efficacy (llm/tcW)
97.2001	HE	3000	80	50,000	1300	13.3	98.0	93	91.1
97.2002	BLO	3000	80	50,000	2000	21.5	93.0	93	86.5
97.2003	HE	4000	80	50,000	1500	13.3	113.0	93	105.1
97.2004	BLO	4000	80	50,000	2000	19.4	103.0	93	95.8
97.2005	HE	3000	90	50,000	1110	13.2	84.0	93	78.1
97.2006	BLO	3000	90	50,000	1780	23.7	75.0	93	69.8
97.2007	HE	4000	90	50,000	1250	13.2	95.0	93	88.4
97.2008	BLO	4000	90	50,000	1830	21.8	84.0	93	78.1
97.3001	HE	3000	80	50,000	1900	18.8	101.0	93	93.9
97.3002	BLO	3000	80	50,000	3000	33.3	90.0	93	83.7
97.3003	HE	4000	80	50,000	2100	18.8	112.0	93	104.2
97.3004	BLO	4000	80	50,000	3000	28.8	104.0	93	96.7
97.3005	HE	3000	90	50,000	1520	18.8	81.0	93	75.3
97.3006	BLO	3000	90	50,000	2430	33.3	73.0	93	67.9
97.3007	HE	4000	90	50,000	1790	18.8	95.0	93	88.4
97.3008	BLO	4000	90	50,000	2700	31.4	86.0	93	80.0

## 92 Series Gimbal Modules: GE Infusion Nominal weight: 1.4kg

Model Ref	Colour Temp (K)	Colour Rendering (Ra)	Life (L70) (hours)	Module output (lm)
92.1000	2700 / 3000 / 4000	80	50,000	1000
92.2000	2700 / 3000 / 4000	80	50,000	2000
92.3000	2700 / 3000 / 4000	95	50,000	3000

## 79 Series Gimbal Modules: Philips SLM Nominal weight: 1.0kg

Model Ref	Colour Temp (K)	Colour Rendering (Ra)	Life (L70) (hours)	Module output (lm)	System power (tcW)	System efficacy (lm/tcW)	Luminaire LOR (%)	Luminaire efficacy (llm/tcW)
79.801	3000	80	50,000	800	11.4	70.0	93	65.3
79.802	4000	80	50,000	800	9.3	86.0	93	80.0
79.1101	3000	80	50,000	1100	16.0	69.0	93	63.9
79.1102	4000	80	50,000	1100	13.8	80.0	93	74.1
79.2001	3000	80	50,000	2000	22.0	91.0	93	84.5
79.2002	4000	80	50,000	2000	20.4	98.0	93	91.2
79.3001	3000	80	50,000	3000	32.6	92.0	93	85.6
79.3002	4000	80	50,000	3000	30.6	98.0	93	91.2

## 77 Series Gimbal Modules: Xicato XSM Nominal weight: 0.6kg

Model Ref	Colour Temp (K)	Colour Rendering (Ra)	Life (L70) (hours)	Module output (lm)	System power (tcW)	System efficacy (lm/tcW)	Luminaire LOR (%)	Luminaire efficacy (llm/tcW)
77.702	3000	80	50,000	700	13.8	50.7	94	47.7
77.703	4000	80	50,000	700	13.8	50.7	94	47.7
77.704	2700	95	50,000	700	17.5	40.0	94	37.6
77.1002	3000	80	50,000	1000	16.7	59.9	94	56.3
77.1003	4000	80	50,000	1000	16.7	59.9	94	56.3
77.1301	2700	80	50,000	1300	23.1	56.3	94	52.9
77.1302	3000	80	50,000	1300	23.1	56.3	94	52.9
77.1303	4000	80	50,000	1300	23.1	56.3	94	52.9
77.2002	3000	80	50,000	2000	32.5	61.5	94	57.8
77.2003	4000	80	50,000	2000	32.5	61.5	94	57.8

## 76 Series Gimbal Modules: XSM Nominal weight: 0.6kg

Model Ref	Colour Temp (K)	Colour Rendering (Ra)	Life (L70) (hours)	Module output (lm)	System power (tcW)	System efficacy (lm/tcW)	Luminaire LOR (%)	Luminaire efficacy (lm/tcW)
76.702	3000	80	50,000	700	13.8	50.7	90	45.7
76.703	4000	80	50,000	700	13.8	50.7	90	45.7
76.704	2700	95	50,000	700	17.5	40.0	90	36.0
76.1002	3000	80	50,000	1000	16.7	59.9	90	53.9
76.1003	4000	80	50,000	1000	16.7	59.9	90	53.9
76.1301	2700	80	50,000	1300	23.1	56.3	90	50.6
76.1302	3000	80	50,000	1300	23.1	56.3	90	50.6
76.1303	4000	80	50,000	1300	23.1	56.3	90	50.6
76.2002	3000	80	50,000	2000	32.5	61.5	90	55.4
76.2003	4000	80	50,000	2000	32.5	61.5	90	55.4

## 6.05 Series Gimbal Modules: CFL Nominal weight: 1.1kg

Model Ref	Wattage	Colour Temp (K)	Lamp Type
6.051014L	1 x 14w	4000	PLR
6.051017L	1 x 17w	4000	PLR
6.051026L	1 x 26w	4000	PLT
6.051032L	1 x 32w	4000	PLT

### Fluorel Lighting Limited Designers and manufacturers of lighting fittings

Unit 25 Eldon Way, Hockley  
Essex SS5 4AD  
Tel +44(0)8458 643 643 Fax +44(0)20 8506 1792  
info@fluorel.co.uk www.fluorel.co.uk

