

# D Series 130mm Downlighter



D  
Series

www.fluorel.co.uk

## Reflectors

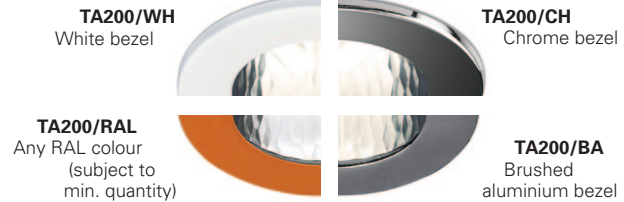


11/14

### Features

- Die cut twist and lock bezel
- Flexible luminaire with interchangeable modules and optics
- Emergency option
- Upto 4000lm
- Choice of colour temperatures
- Excellent efficacy up to 113 lm/w

### Bezel colour



### Lamps

- |               |               |               |
|---------------|---------------|---------------|
| • 1 x 14W PLR | • 700 lumen   | • 2,000 lumen |
| • 1 x 17W PLR | • 800 lumen   | • 1,100 lumen |
| • 1 x 26W PLT | • 1,000 lumen | • 3,000 lumen |
| • 1 x 32W PLT | • 1,300 lumen | • 4,000 lumen |

### Control gear

- Standard (high frequency)
- **/DIM** 1-10V dimming
- **/ECO** DSI digital dimming
- **/DALI** Dali dimming

### Emergency options

#### **/EMG**

Remotely mounted 3hr emergency inverter with batteries and green LED

#### **/STEMG**

Remotely mounted 3hr self test inverter with batteries and green LED

#### **/ILEM**

Integral mounted 3hr emergency LED

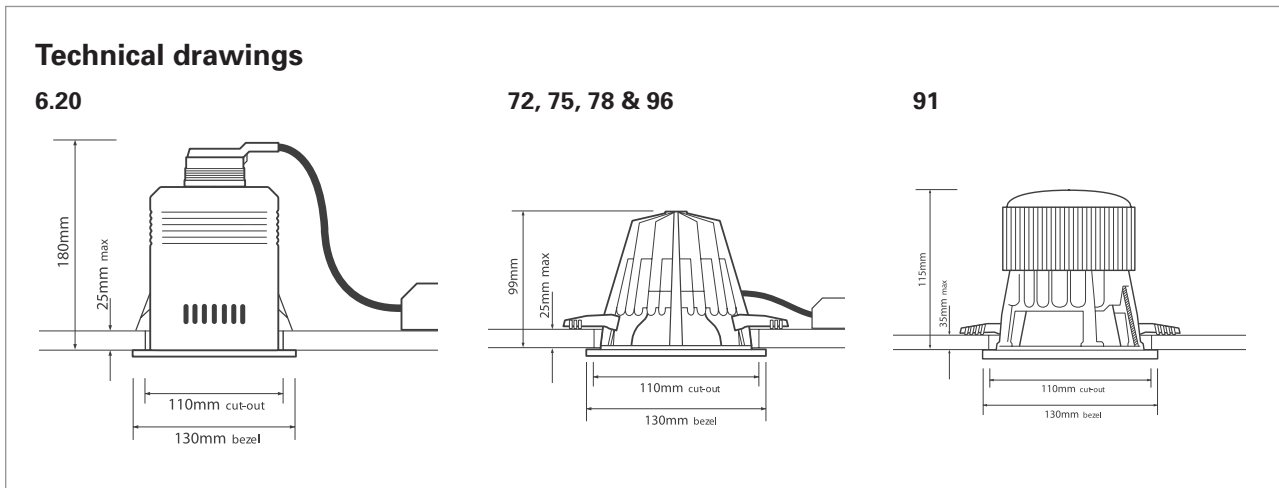
#### **/STILEM**

Integral mounted 3hr self test emergency LED

**Fluorel**Lighting  
Lighting for a brighter future

**Fluorel Lighting is a leading supplier  
of innovative energy efficient lighting**

# 130mm Downlight Series [www.fluorel.co.uk/products/PDFs](http://www.fluorel.co.uk/products/PDFs)

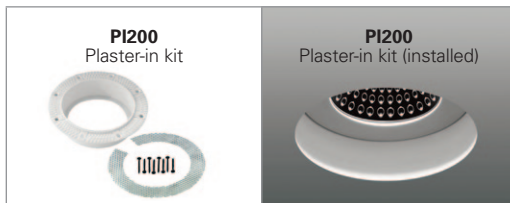


## 130mm Attachments

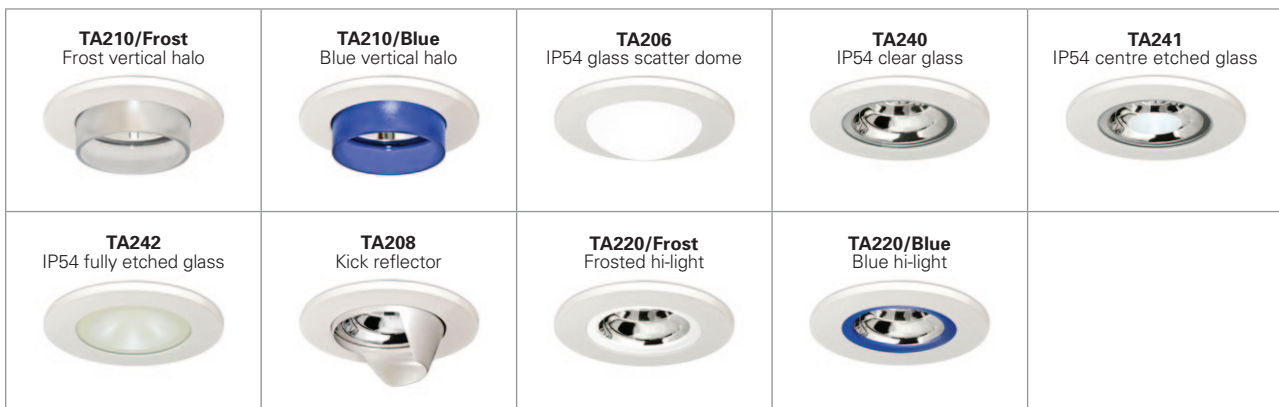
### Decorative Bezel



### Plaster-In Kit (Available for 72, 75, 78 & 96)



### Accessories



## 72 Series 130mm Modules: XSM Nominal weight: 0.6kg

Model Ref	Colour Temp (K)	Colour Rendering (Ra)	Life (L70) (hours)	Module output (lm)	System power (tcW)	System efficacy (lm/tcW)	Luminaire DLOR (%)	Luminaire efficacy (llm/tcW)
72.702	3000	80	50,000	700	13.8	50.7	90	45.7
72.703	4000	80	50,000	700	13.8	50.7	90	45.7
72.704	2700	95	50,000	700	17.5	40.0	90	36.0
72.1002	3000	80	50,000	1000	16.7	59.9	90	53.9
72.1003	4000	80	50,000	1000	16.7	59.9	90	53.9
72.1301	2700	80	50,000	1300	23.1	56.3	90	50.6
72.1302	3000	80	50,000	1300	23.1	56.3	90	50.6
72.1303	4000	80	50,000	1300	23.1	56.3	90	50.6
72.2002	3000	80	50,000	2000	32.5	61.5	90	55.4
72.2003	4000	80	50,000	2000	32.5	61.5	90	55.4

## 96 Series 130mm Modules: Tridonic SLE Nominal weight: 0.5kg

Model Ref	Operating status	Colour Temp (K)	Colour Rendering (Ra)	Life (L70) (hours)	Module output (lm)	System power (tcW)	System efficacy (lm/tcW)	Luminaire LOR (%)	Luminaire efficacy (llm/tcW)
96.2001	HE	3000	80	50,000	1300	13.3	98.0	93	91.1
96.2002	BLO	3000	80	50,000	2000	21.5	93.0	93	86.5
96.2003	HE	4000	80	50,000	1500	13.3	113.0	93	105.1
96.2004	BLO	4000	80	50,000	2000	19.4	103.0	93	95.8
96.2005	HE	3000	90	50,000	1110	13.2	84.0	93	78.1
96.2006	BLO	3000	90	50,000	1780	23.7	75.0	93	69.8
96.2007	HE	4000	90	50,000	1250	13.2	95.0	93	88.4
96.2008	BLO	4000	90	50,000	1830	21.8	84.0	93	78.1
96.3001	HE	3000	80	50,000	1900	18.8	101.0	93	93.9
96.3002	BLO	3000	80	50,000	3000	33.3	90.0	93	83.7
96.3003	HE	4000	80	50,000	2100	18.8	112.0	93	104.2
96.3004	BLO	4000	80	50,000	3000	28.8	104.0	93	96.7
96.3005	HE	3000	90	50,000	1520	18.8	81.0	93	75.3
96.3006	BLO	3000	90	50,000	2430	33.3	73.0	93	67.9
96.3007	HE	4000	90	50,000	1790	18.8	95.0	93	88.4
96.3008	BLO	4000	90	50,000	2700	31.4	86.0	93	80.0

## 75 Series 130mm Modules: XSM Nominal weight: 0.6kg

Model Ref	Colour Temp (K)	Colour Rendering (Ra)	Life (L70) (hours)	Module output (lm)	System power (tcW)	System efficacy (lm/tcW)	Luminaire LOR (%)	Luminaire efficacy (llm/tcW)
75.702	3000	80	50,000	700	13.8	50.7	94	47.7
75.703	4000	80	50,000	700	13.8	50.7	94	47.7
75.704	2700	95	50,000	700	17.5	40.0	94	37.6
75.1002	3000	80	50,000	1000	16.7	59.9	94	56.3
75.1003	4000	80	50,000	1000	16.7	59.9	94	56.3
75.1301	2700	80	50,000	1300	23.1	56.3	94	52.9
75.1302	3000	80	50,000	1300	23.1	56.3	94	52.9
75.1303	4000	80	50,000	1300	23.1	56.3	94	52.9
75.2002	3000	80	50,000	2000	32.5	61.5	94	57.8
75.2003	4000	80	50,000	2000	32.5	61.5	94	57.8

## 78 Series 130mm Modules: Fortimo SLM Nominal weight: 0.5kg

Model Ref	Colour Temp (K)	Colour Rendering (Ra)	Life (L70) (hours)	Module output (lm)	System power (tcW)	System efficacy (lm/tcW)	Luminaire LOR (%)	Luminaire efficacy (llm/tcW)
78.801	3000	80	50,000	800	11.4	70.0	93	65.3
78.802	4000	80	50,000	800	9.3	86.0	93	80.0
78.1101	3000	80	50,000	1100	16.0	69.0	93	63.9
78.1102	4000	80	50,000	1100	13.8	80.0	93	74.0
78.2001	3000	80	50,000	2000	22.0	91.0	93	84.5
78.2002	4000	80	50,000	2000	20.4	98.0	93	91.2
78.3001	3000	80	50,000	3000	32.6	92.0	93	85.6
78.3002	4000	80	50,000	3000	30.6	98.0	93	91.2

## 91 Series 130mm Modules: GE Infusion Nominal weight: 1.0kg

Model Ref	Module output (lm)
91.1000	1,000
91.2000	2,000
91.3000	3,000

## 6.20 Series 130mm Modules: CFL Nominal weight: 0.7kg

Model Ref	Wattage	Colour Temp (K)	Lamp Type
6.201014L	1 x 14w	4000	PLR
6.201017L	1 x 17w	4000	PLR
6.201026L	1 x 26w	4000	PLT
6.201032L	1 x 32w	4000	PLT

### Fluorel Lighting Limited Designers and manufacturers of lighting fittings

Unit 25 Eldon Way, Hockley  
Essex SS5 4AD  
Tel +44(0)8458 643 643 Fax +44(0)20 8506 1792  
info@fluorel.co.uk www.fluorel.co.uk

